



US00D694267S

(12) **United States Design Patent**
Ohm et al.

(10) **Patent No.:** **US D694,267 S**

(45) **Date of Patent:** **** Nov. 26, 2013**

(54) **PORTABLE TIRE INFLATOR**

(56)

References Cited

U.S. PATENT DOCUMENTS

(71) Applicant: **Bell Automotive Products, Inc.**,
Scottsdale, AZ (US)

(72) Inventors: **Patrick Lee Ohm**, Mesa, AZ (US); **Silas Veloz**, Loma Linda, CA (US); **Dave Windham**, Altadena, CA (US)

(73) Assignee: **Bell Automotive Products, Inc.**,
Scottsdale, AZ (US)

(**) Term: **14 Years**

(21) Appl. No.: **29/451,385**

(22) Filed: **Apr. 1, 2013**

(51) **LOC (9) Cl.** **15-02**

(52) **U.S. Cl.**
USPC **D15/7**

(58) **Field of Classification Search**
USPC D15/7-9; 417/60, 235, 265, 321, 355,
417/358, 363, 359, 410.1, 415-416, 405,
417/900; D23/231, 232, 225

See application file for complete search history.

D464,362 S *	10/2002	Tsai	D15/7
D491,957 S *	6/2004	Fang	D15/7
D500,770 S *	1/2005	Pohler	D15/7
D534,187 S *	12/2006	Sato	D15/9
D576,640 S *	9/2008	Sinico et al.	D15/7
D590,420 S *	4/2009	Casalini	D15/7
D677,702 S *	3/2013	O'Shea	D15/7
D678,338 S *	3/2013	O'Shea	D15/7

* cited by examiner

Primary Examiner — Ralf Seifert

(74) *Attorney, Agent, or Firm* — Booth Udall Fuller, PLC

(57) **CLAIM**

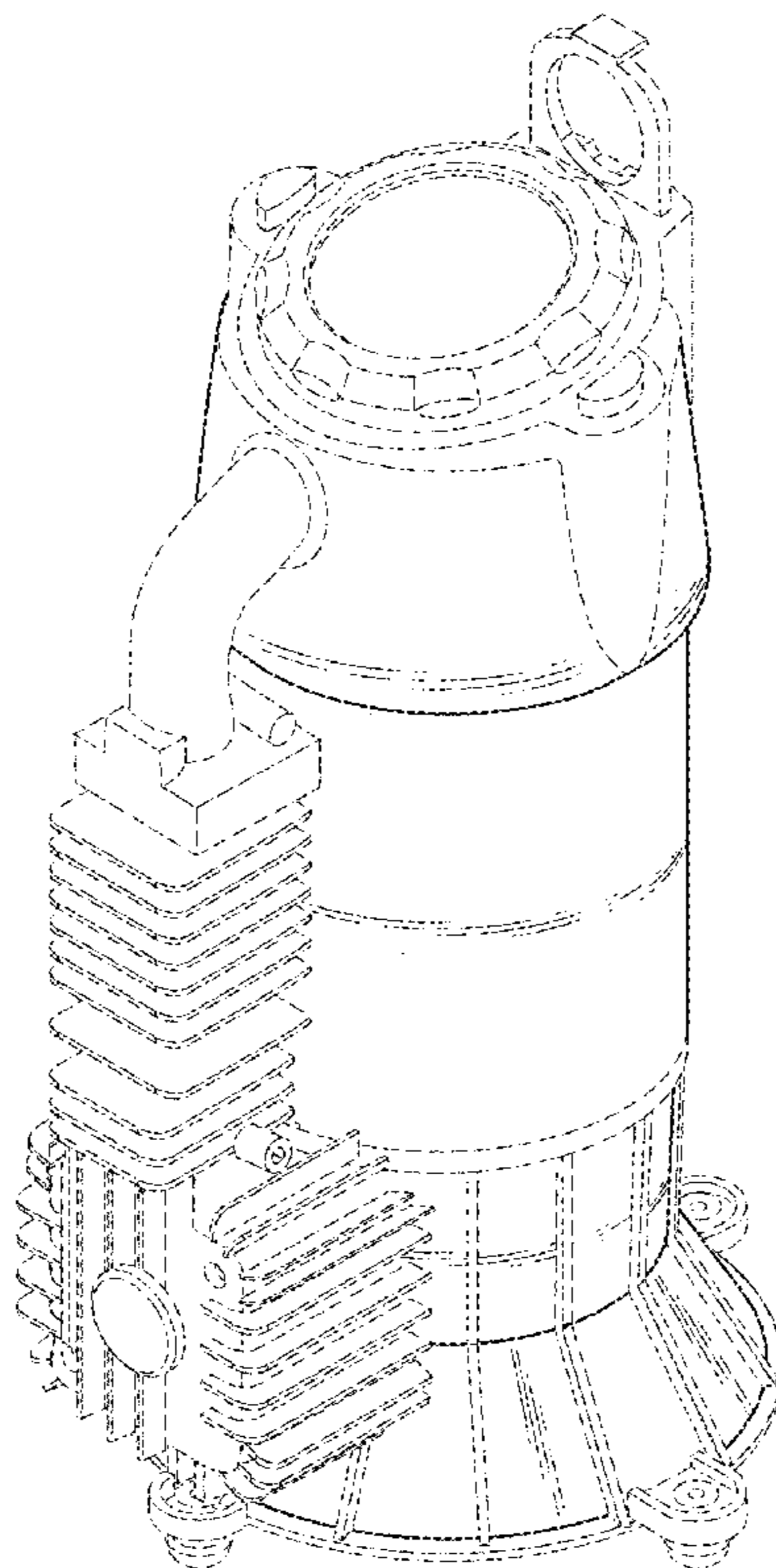
The ornamental design for a portable tire inflator, as shown and described in the preceding Figures.

DESCRIPTION

FIG. 1 is a front perspective view for a portable tire inflator; FIG. 2 is a rear view thereof; FIG. 3 is a left side view thereof; FIG. 4 is a front view thereof; FIG. 5 is a right side view thereof; FIG. 6 is top view thereof; and, FIG. 7 is a bottom view thereof.

The broken lines are included for the purpose of illustrating environmental features and form no part of the claimed design.

1 Claim, 7 Drawing Sheets



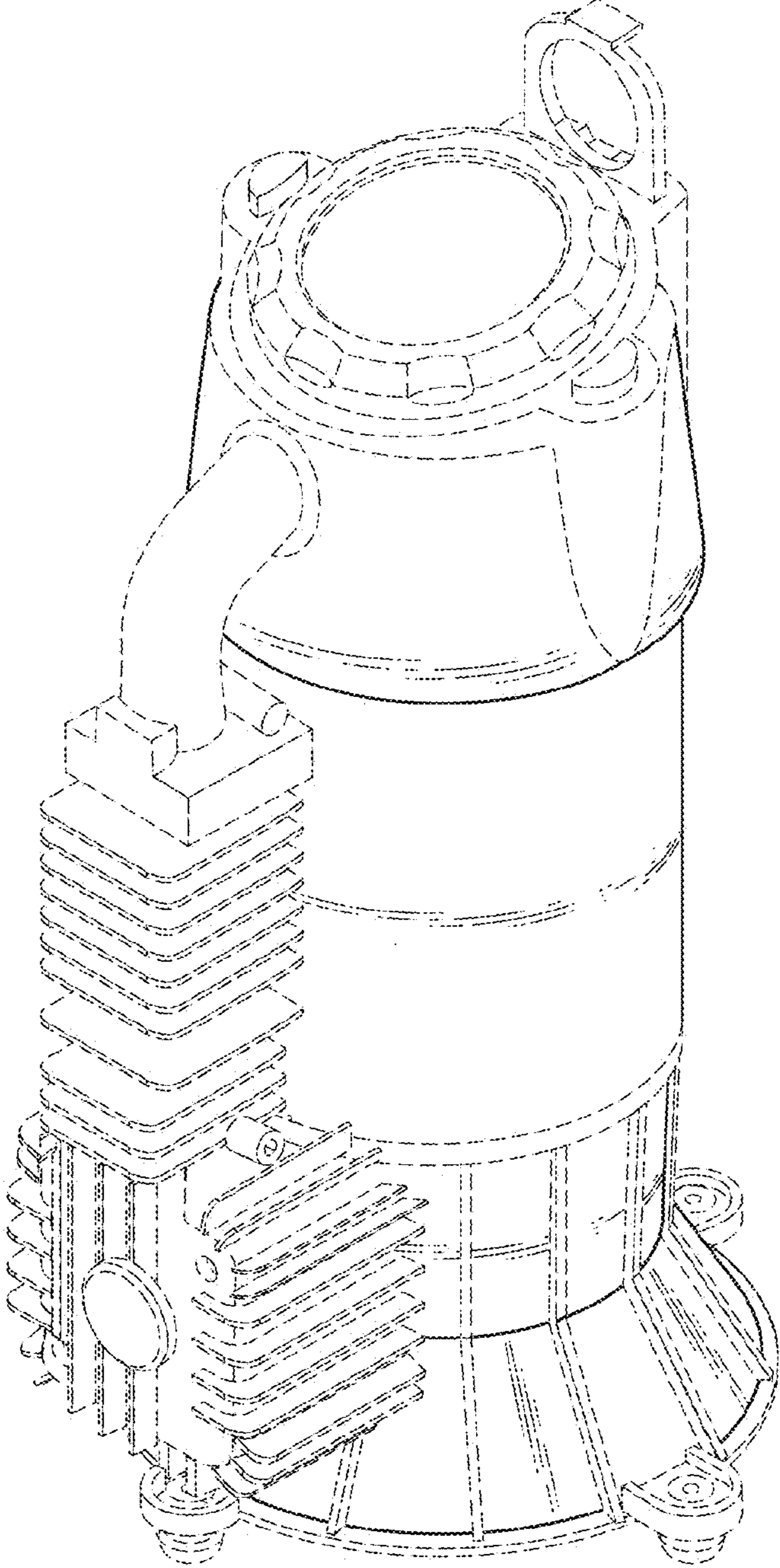


FIG. 1

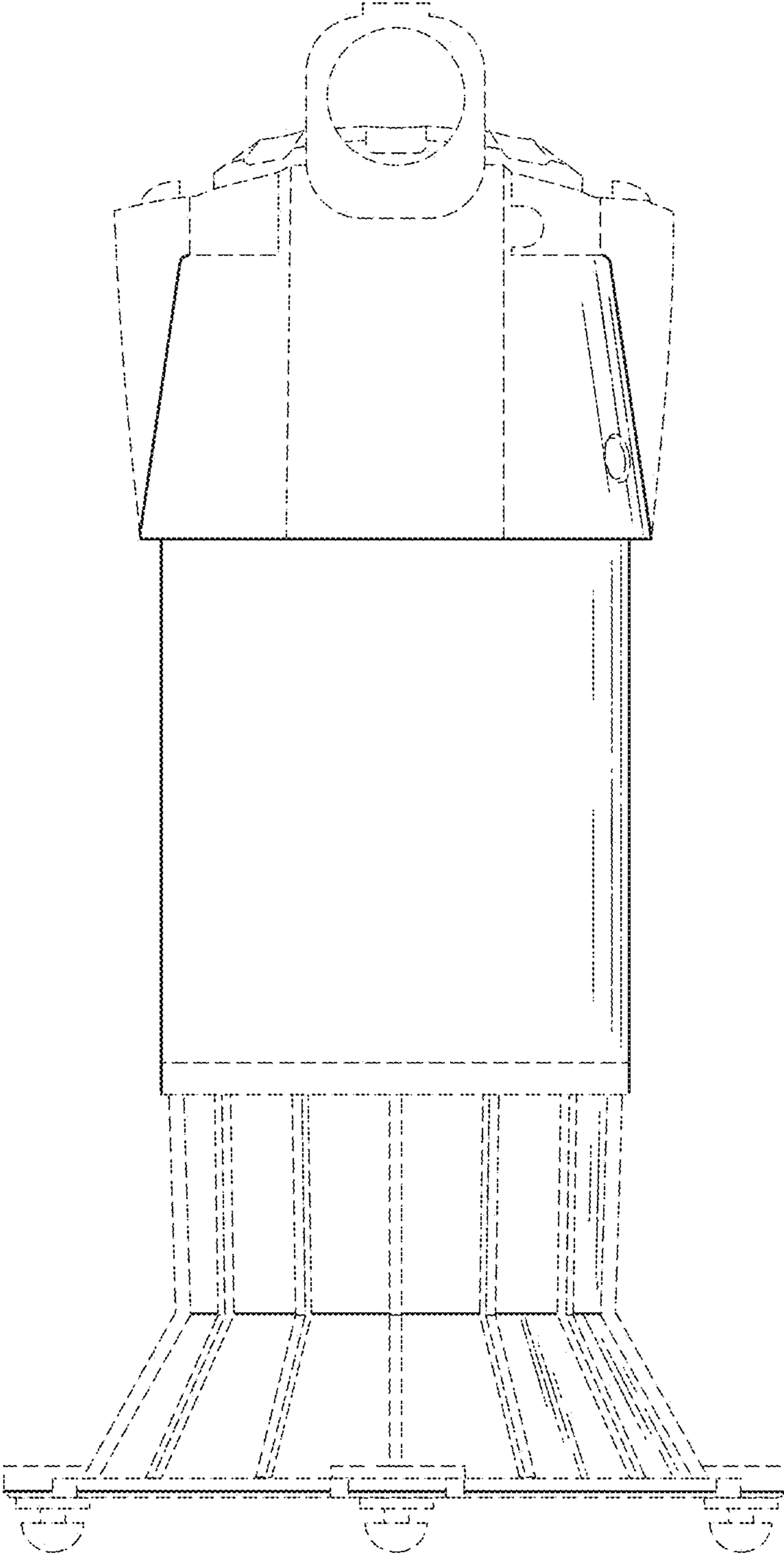


FIG. 2

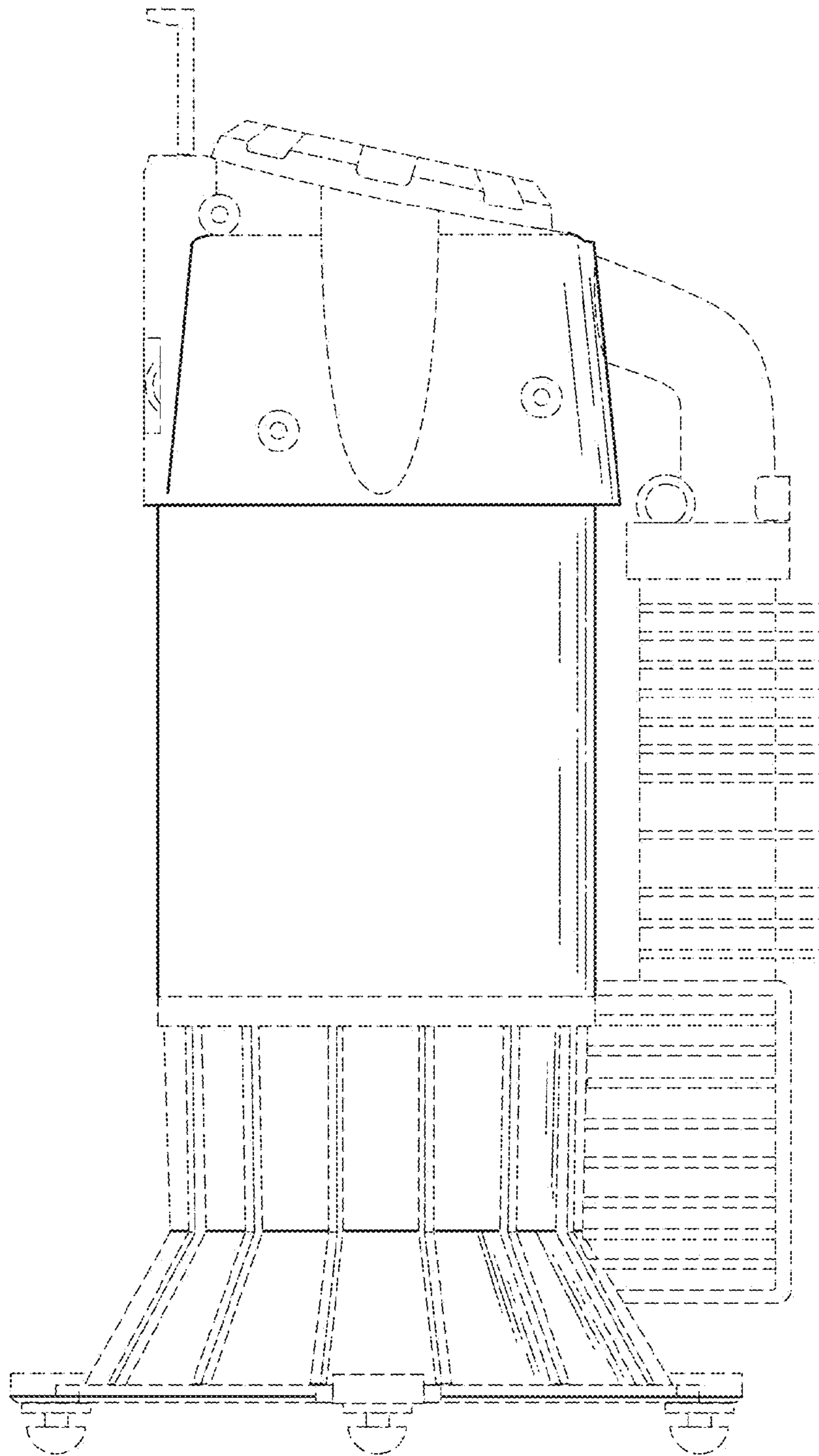


FIG. 3

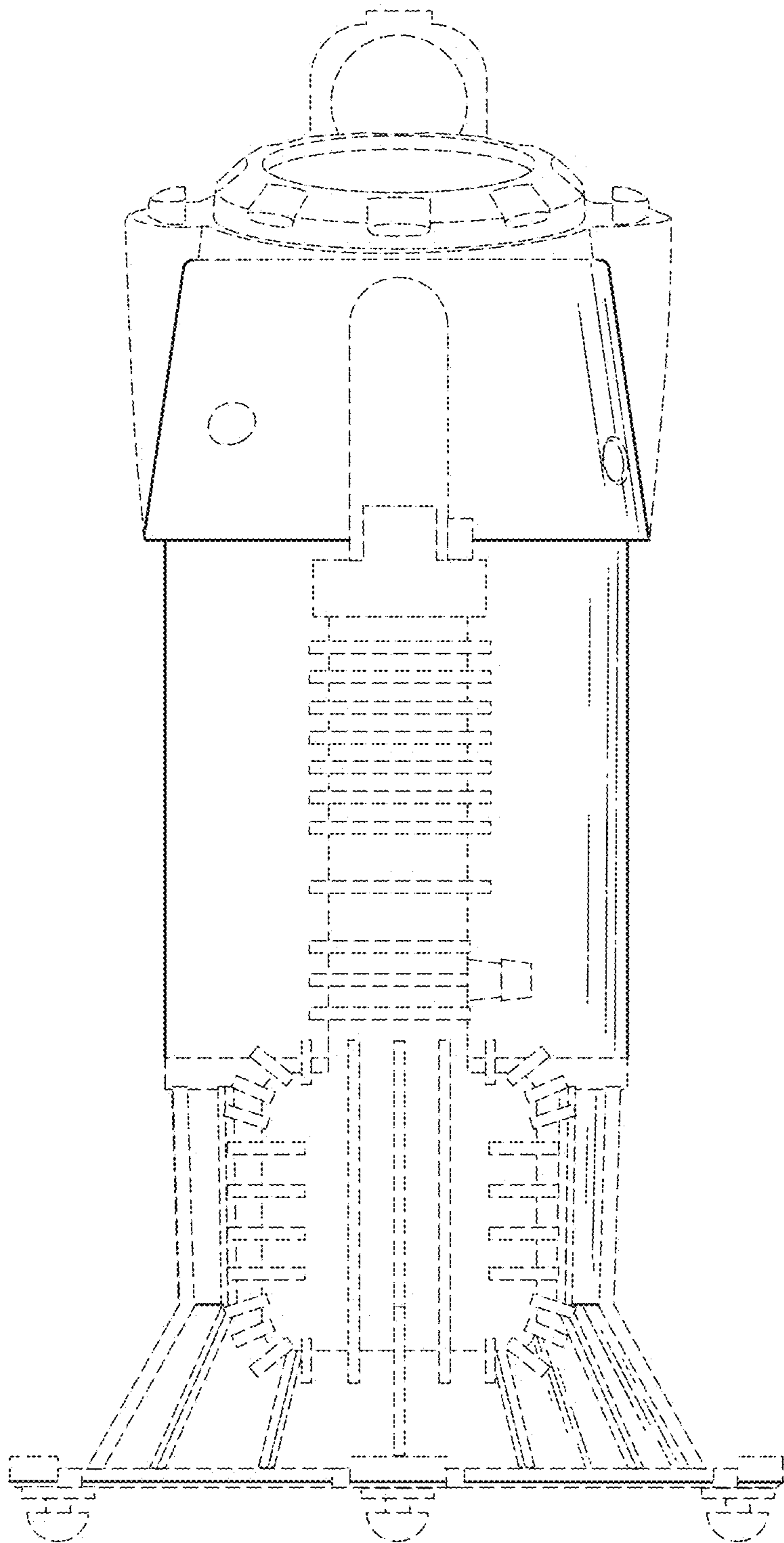


FIG. 4

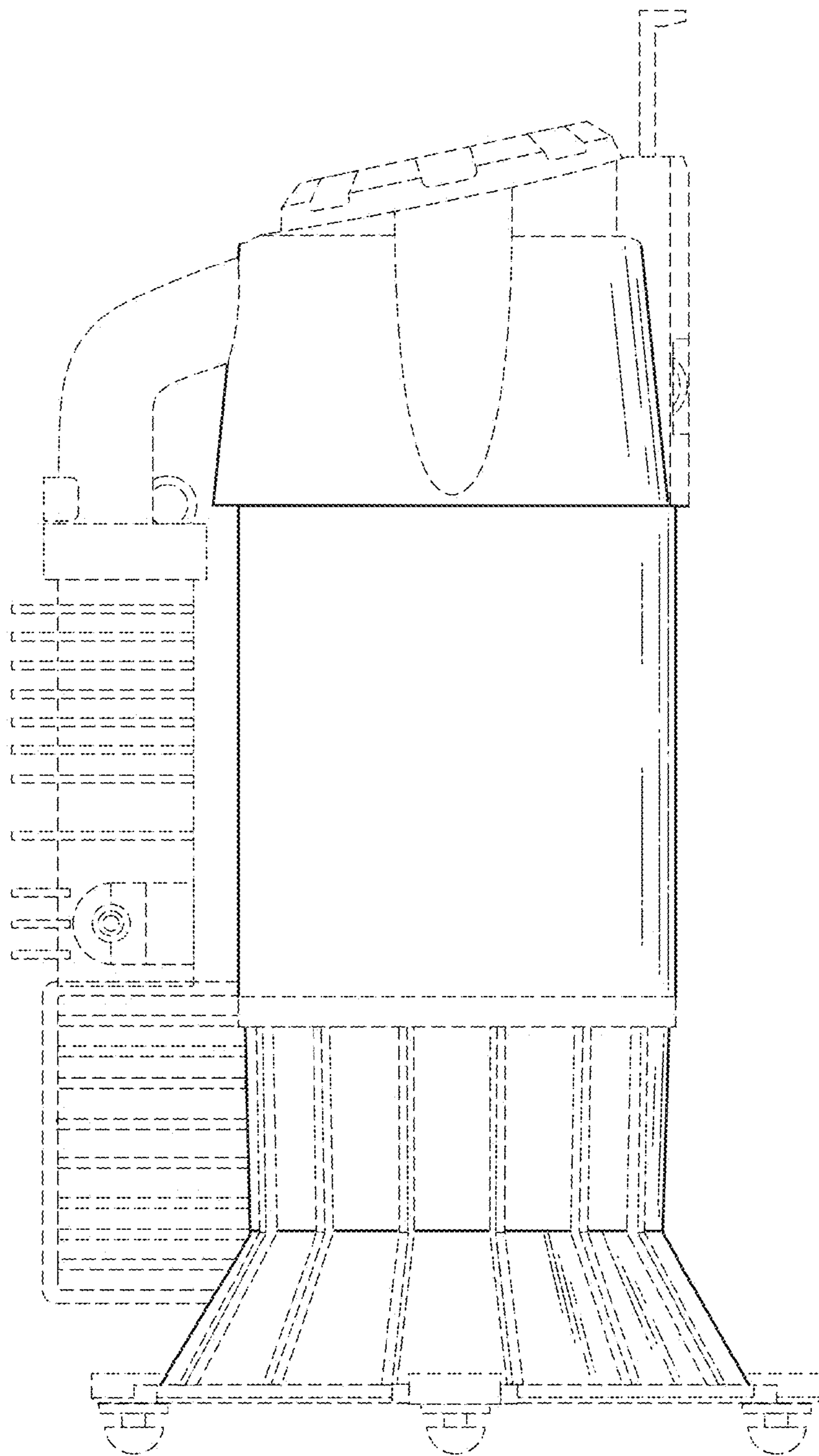


FIG. 5

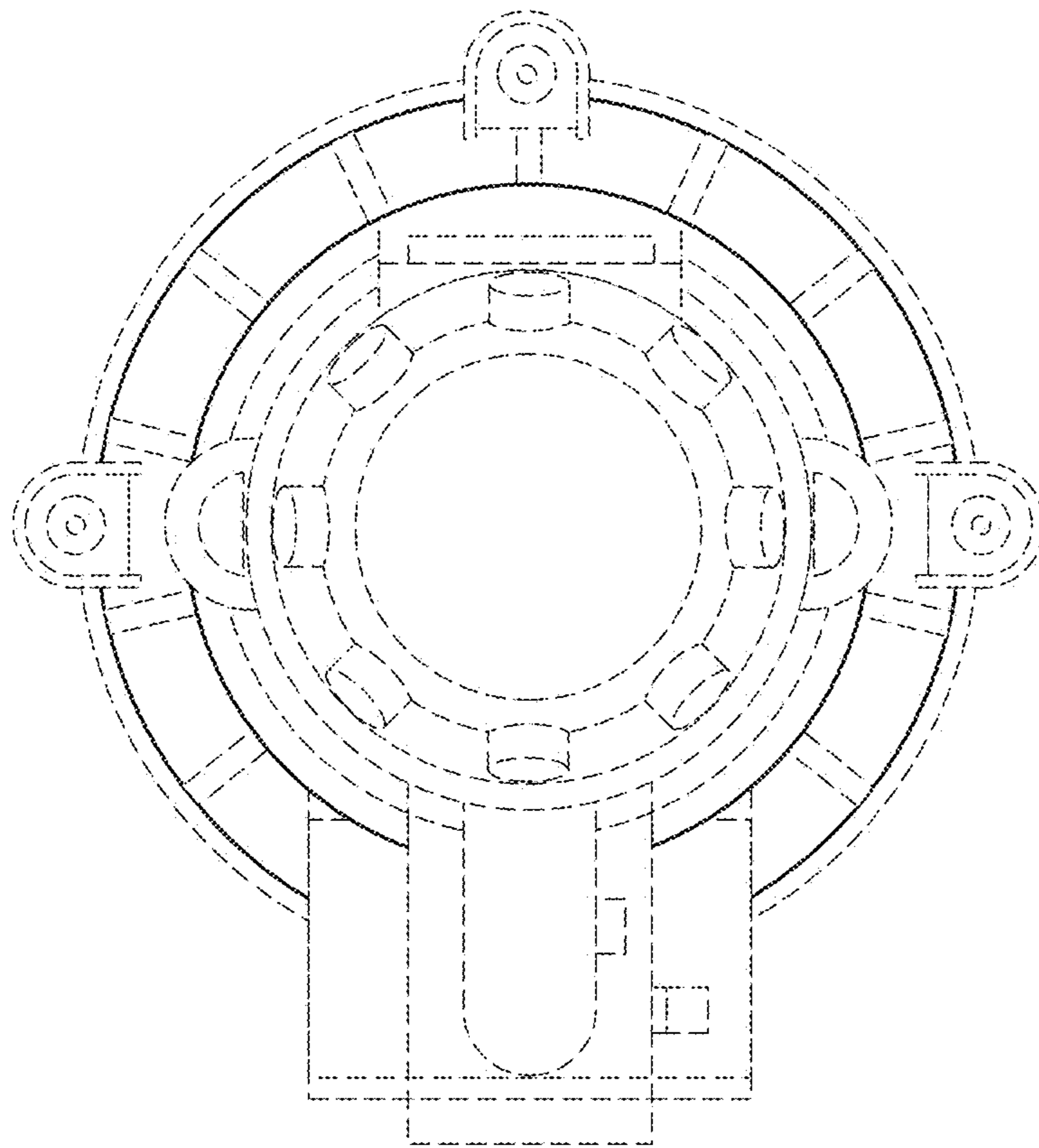


FIG. 6

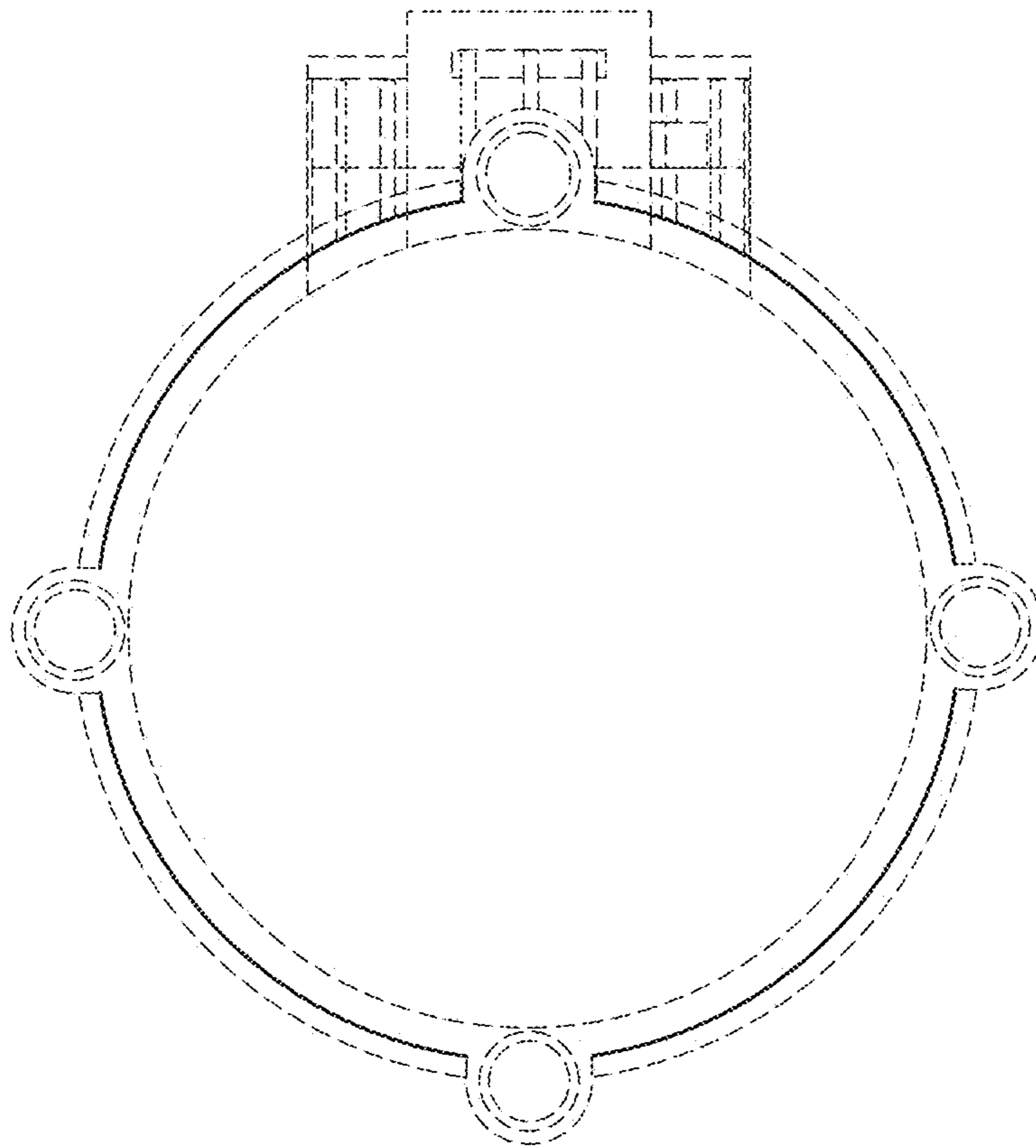


FIG. 7