



US00D694266S

(12) **United States Design Patent**
Haddad et al.

(10) **Patent No.:** **US D694,266 S**

(45) **Date of Patent:** **** Nov. 26, 2013**

(54) **PUMP IMPELLER**

(71) Applicant: **Sulzer Pump Solutions Germany GmbH, Lohmar (DE)**

(72) Inventors: **Kais Haddad, Erlangen (DE);
Horst-Paul Klein, Lohmar (DE)**

(73) Assignee: **Sulzer Pump Solutions Germany GmbH, Lohmar (DE)**

(**) Term: **14 Years**

(21) Appl. No.: **29/446,859**

(22) Filed: **Feb. 27, 2013**

(30) **Foreign Application Priority Data**

Aug. 27, 2012 (CH) 139194

(51) **LOC (9) Cl.** **15-02**

(52) **U.S. Cl.**
USPC **D15/7**

(58) **Field of Classification Search**
USPC D15/7-9; D23/231, 232; 417/410.1,
417/359, 415-416, 234, 321, 265, 405, 1,
417/63, 53, 393; D24/107, 108, 111

See application file for complete search history.

(56) **References Cited**

U.S. PATENT DOCUMENTS

D554,150 S * 10/2007 Fausett et al. D15/5
D583,391 S * 12/2008 Metcalfe D15/7
D586,826 S * 2/2009 Cantrill et al. D15/7
D603,878 S * 11/2009 Chu D15/9

* cited by examiner

Primary Examiner — Ralf Seifert

(74) *Attorney, Agent, or Firm* — Kilpatrick Townsend & Stockton LLP

(57) **CLAIM**

The ornamental design for a pump impeller, as shown and described.

DESCRIPTION

FIG. 1 is a front elevational view of the pump impeller showing our new design;

FIG. 2 is a top plan view thereof;

FIG. 3 is a rear elevational view thereof;

FIG. 4 is left side elevational view thereof;

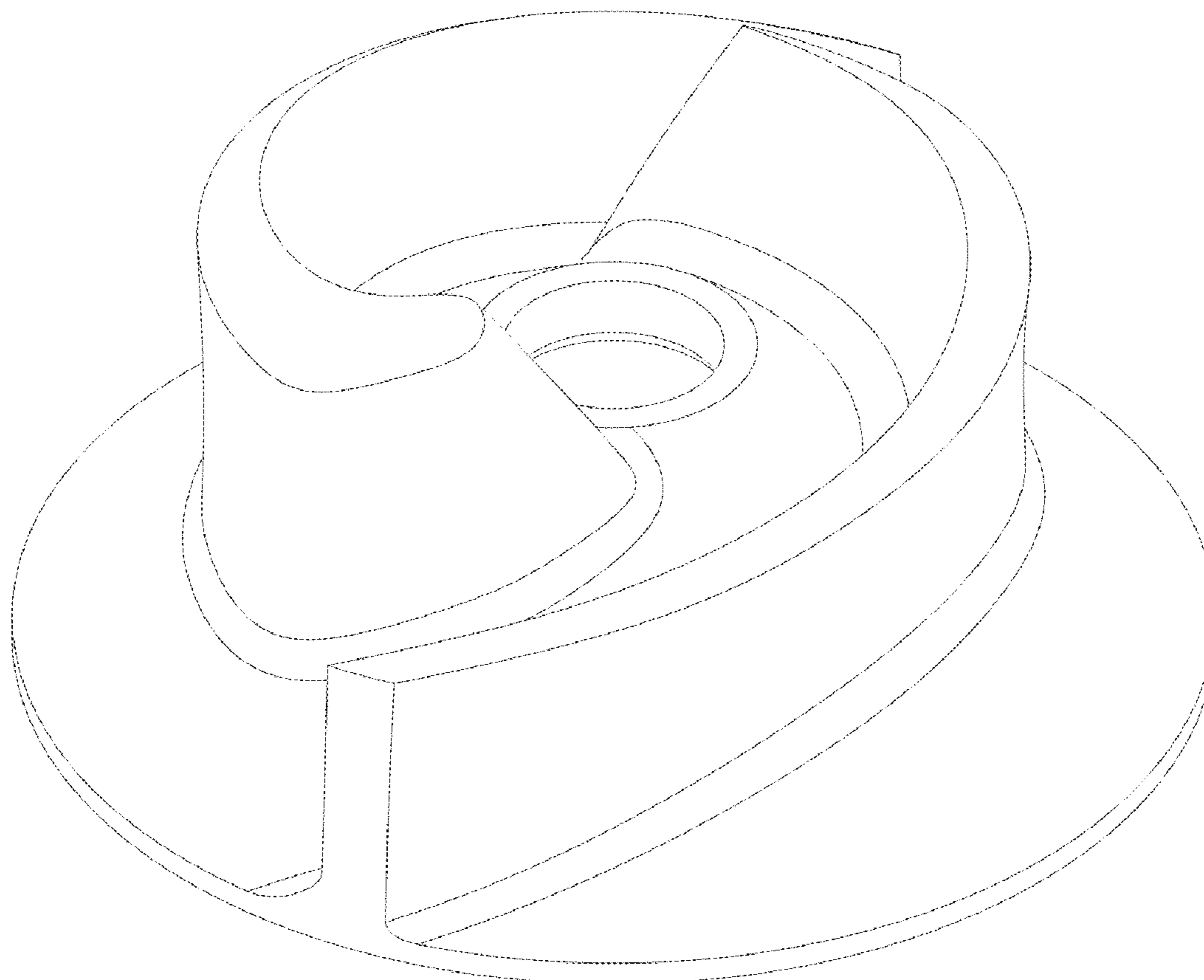
FIG. 5 is a right side elevational view thereof;

FIG. 6 is a bottom plan view thereof;

FIG. 7 is a bottom perspective view thereof; and,

FIG. 8 is a top perspective view thereof.

1 Claim, 8 Drawing Sheets



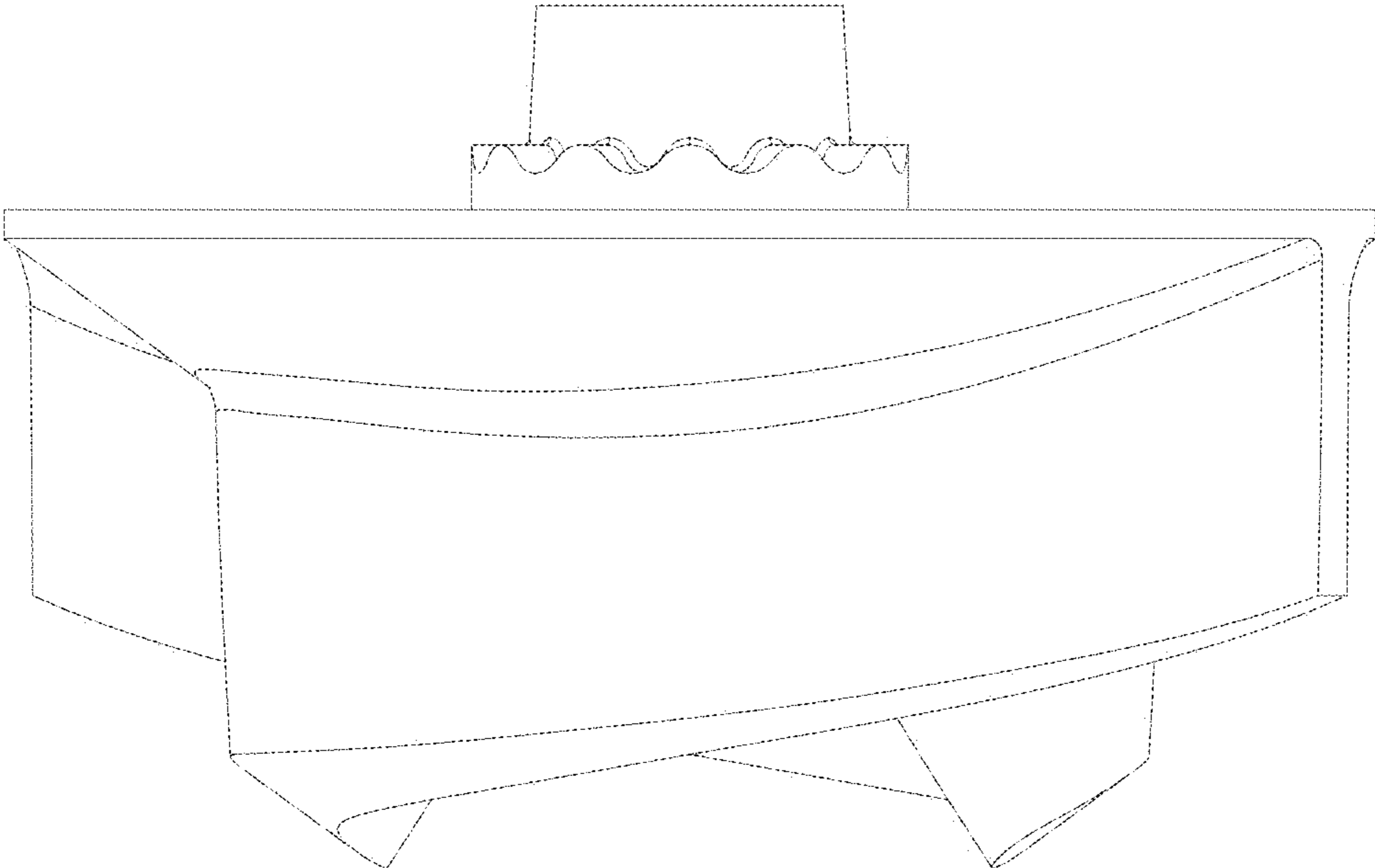


FIG. 1

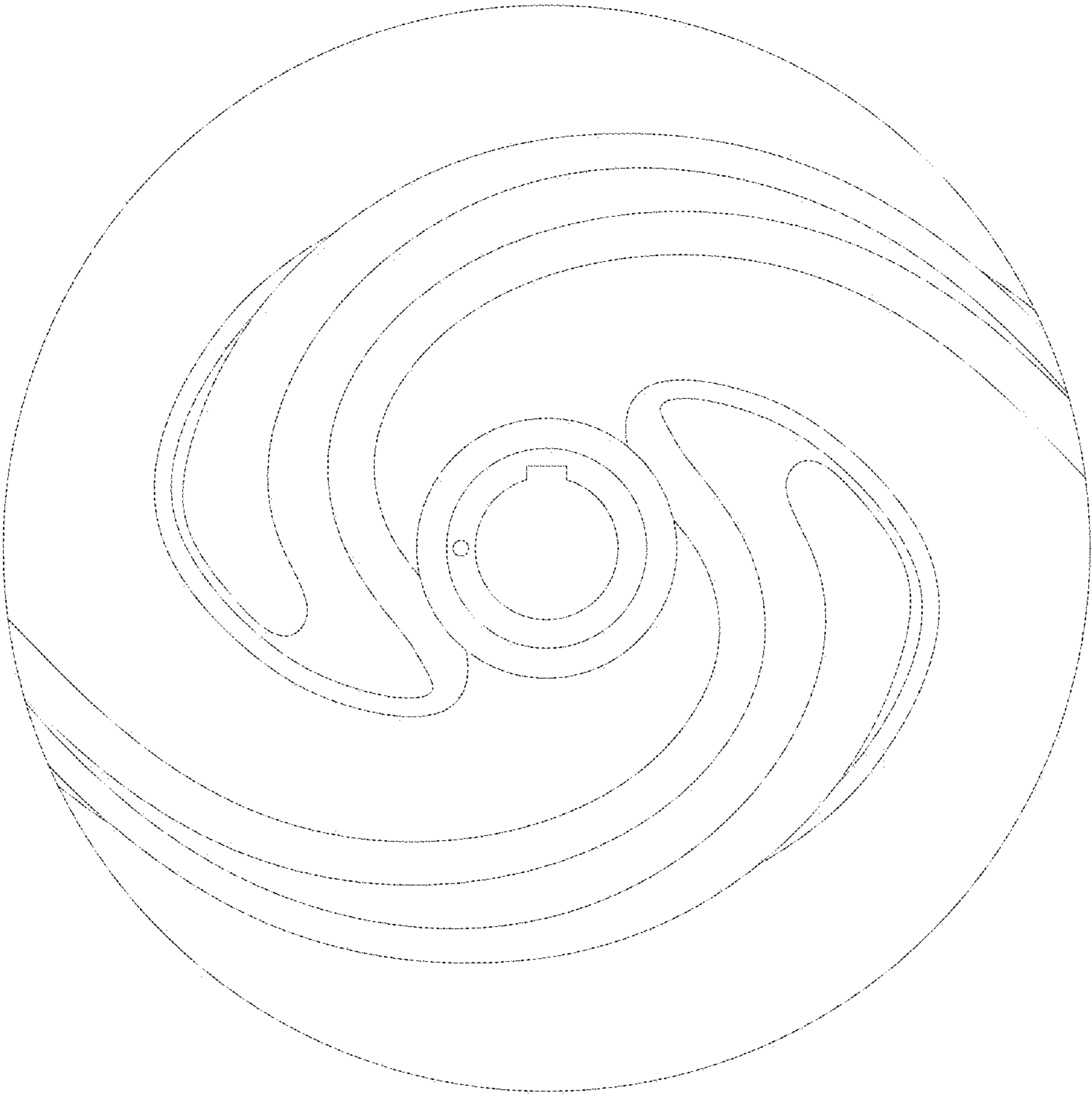


FIG. 2

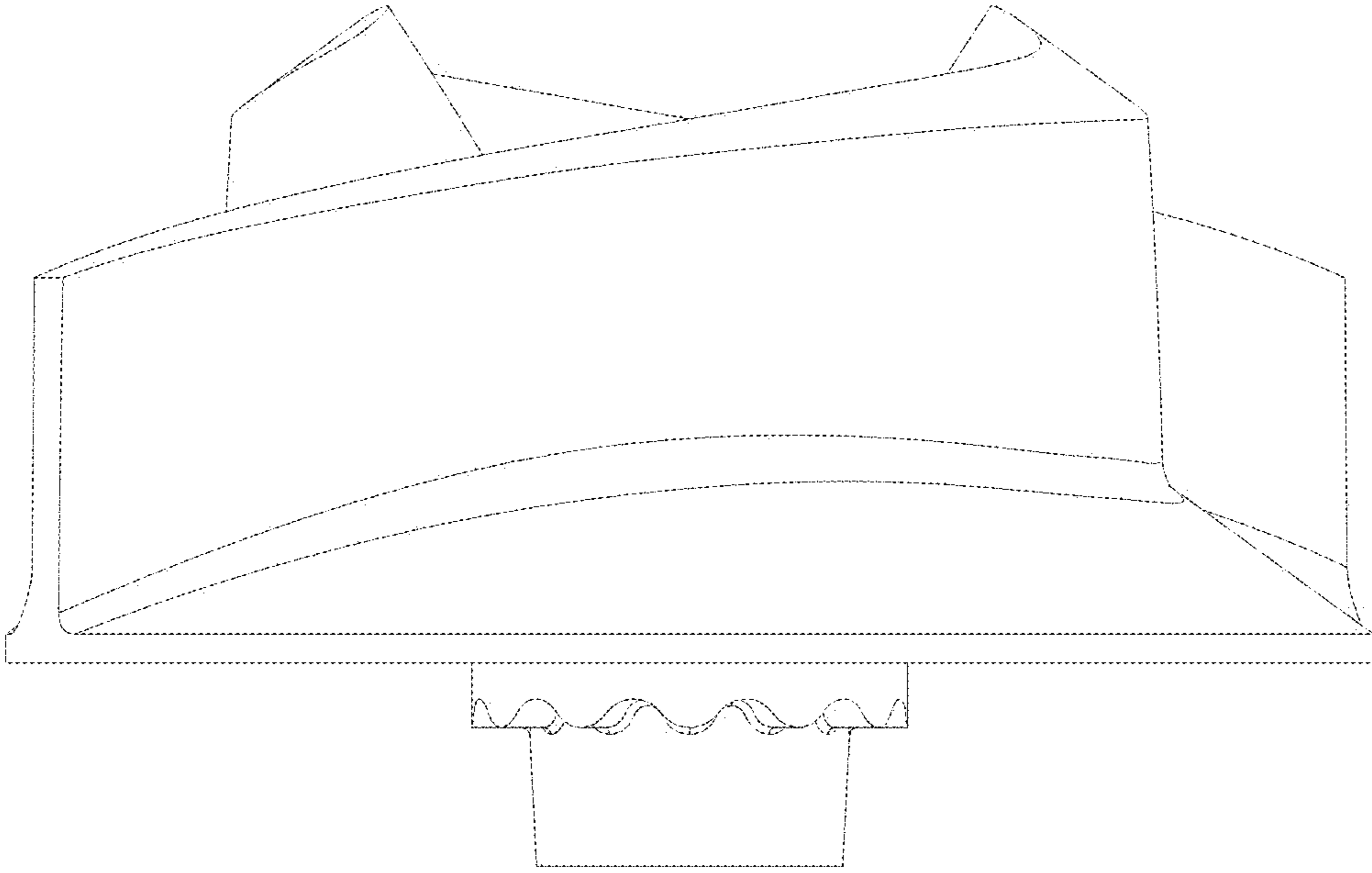


FIG. 3

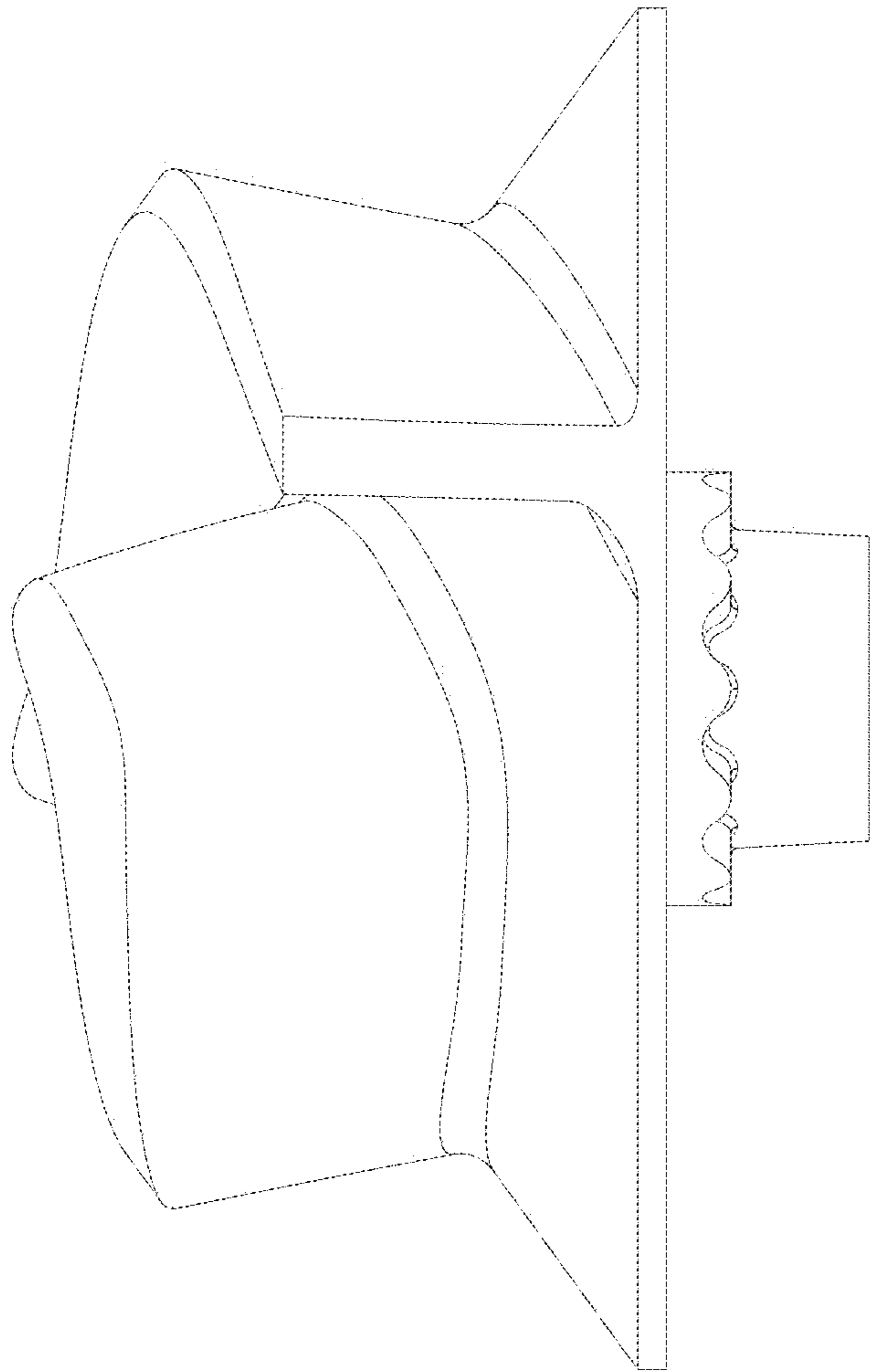


FIG. 4

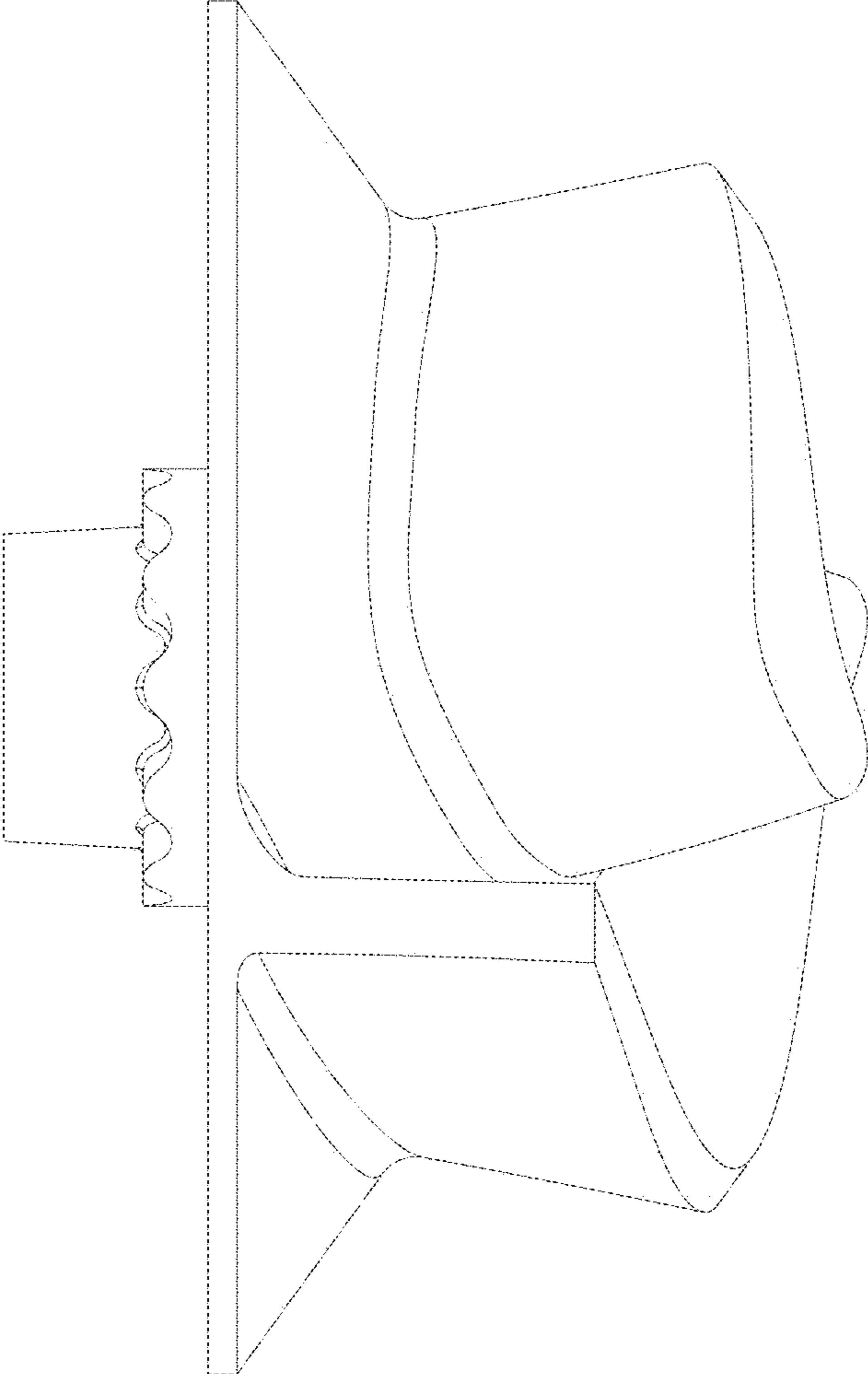


FIG. 5

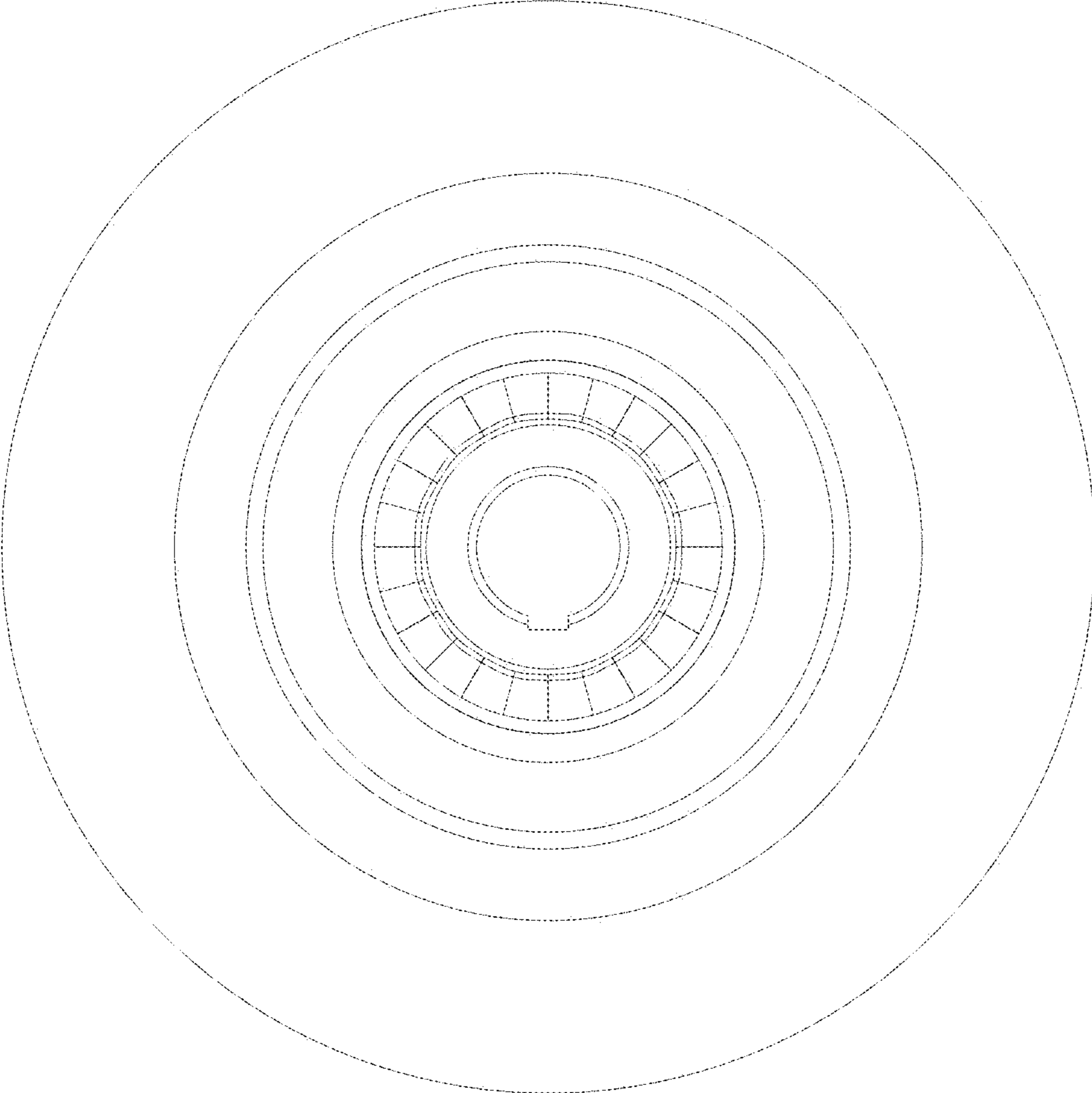


FIG. 6

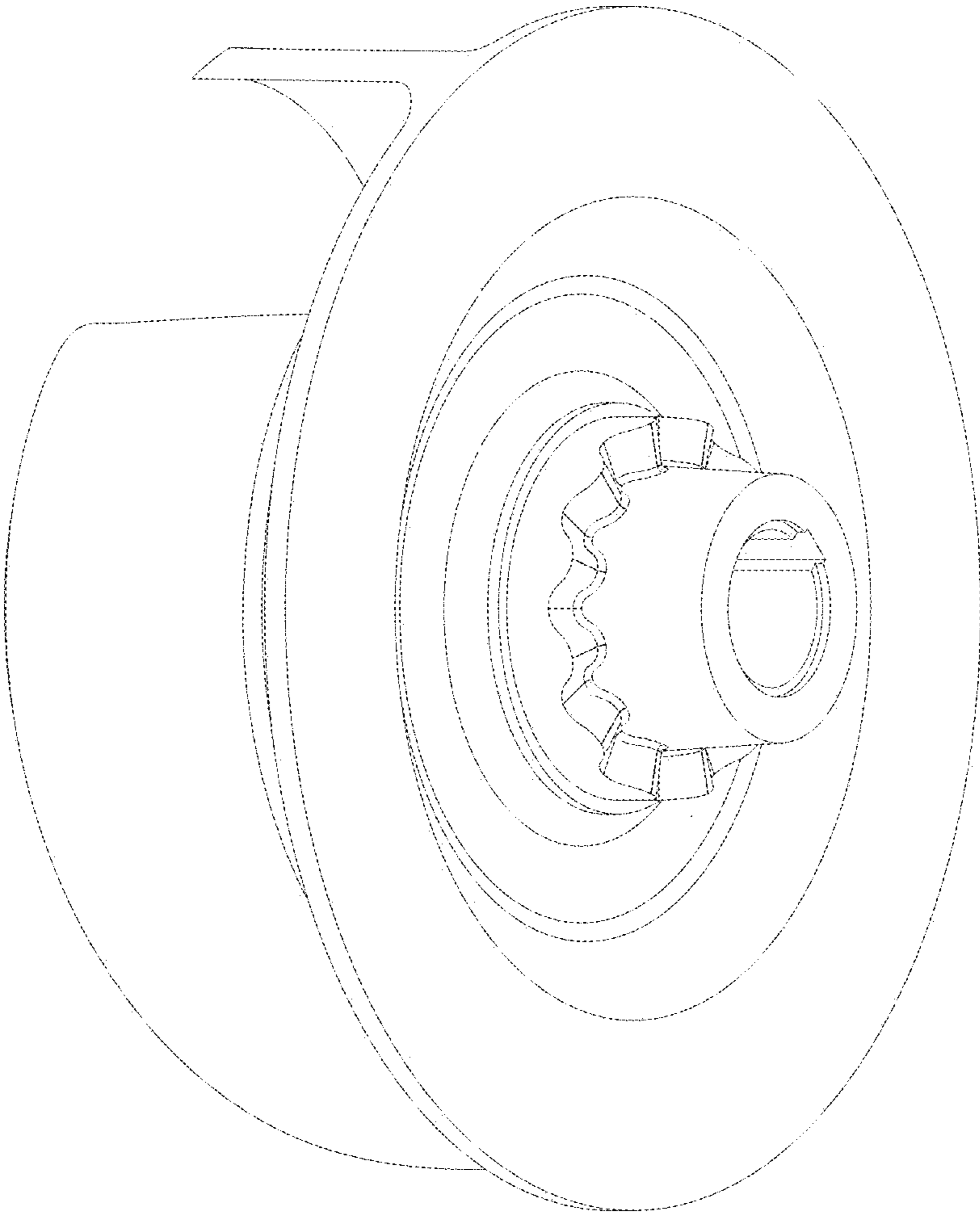


FIG. 7

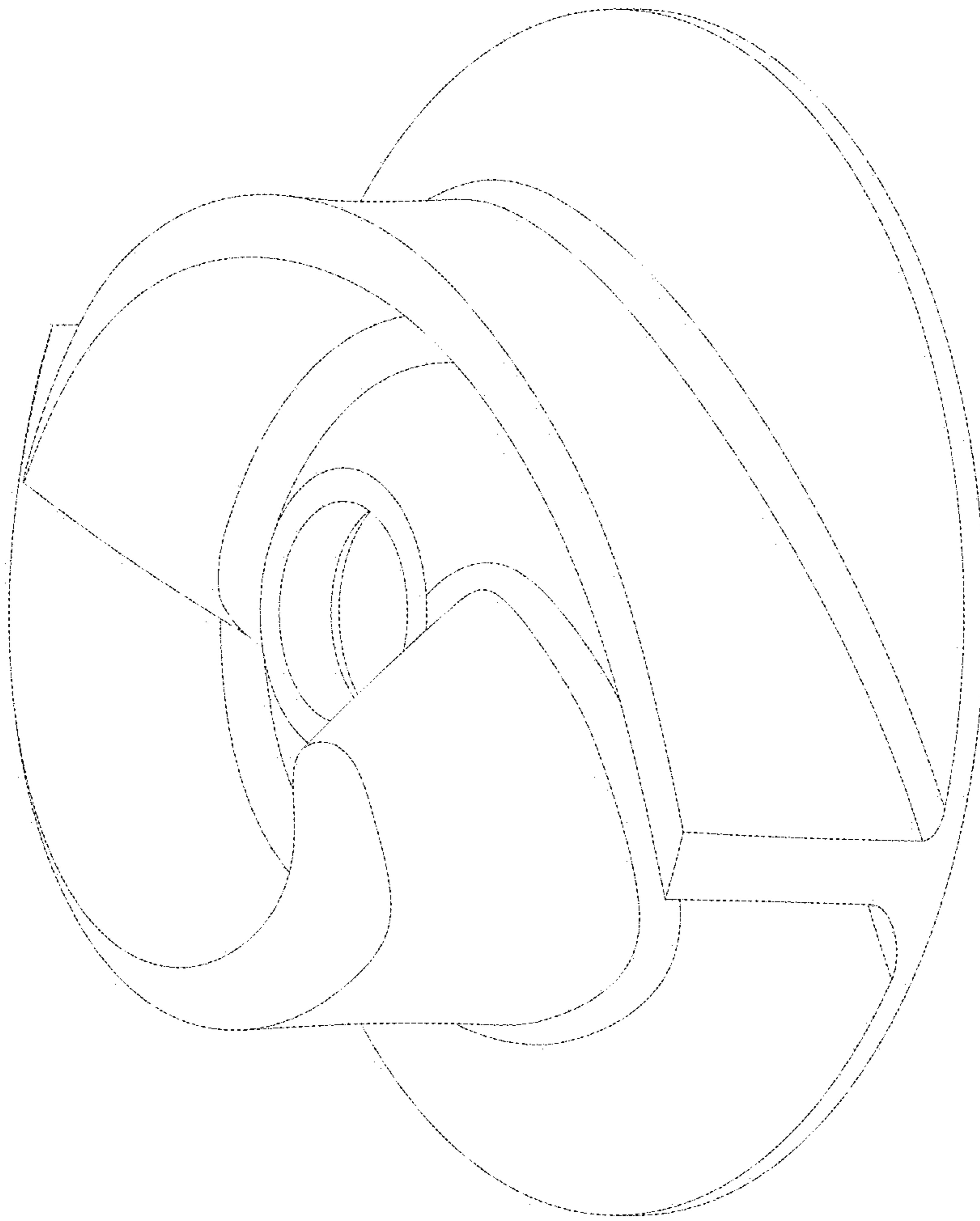


FIG. 8