



US00D694265S

(12) **United States Design Patent**
Spiegel

(10) **Patent No.:** **US D694,265 S**

(45) **Date of Patent:** **** Nov. 26, 2013**

(54) **VALVE MANIFOLD**

(75) Inventor: **Kurt Spiegel**, Bronx, NY (US)

(73) Assignee: **Alfa Wassermann, Inc.**, West Caldwell, NJ (US)

(**) Term: **14 Years**

(21) Appl. No.: **29/432,396**

(22) Filed: **Sep. 14, 2012**

Related U.S. Application Data

(62) Division of application No. 29/380,362, filed on Dec. 3, 2010, now Pat. No. Des. 669,917.

(51) **LOC (9) Cl.** **15-01**

(52) **U.S. Cl.**
USPC **D15/5**

(58) **Field of Classification Search**
USPC D15/143, 5, 1, 2, 3, 4, 6; D23/233;
D13/147; 251/129.01, 129.15
See application file for complete search history.

(56) **References Cited**

U.S. PATENT DOCUMENTS

D242,619 S	12/1976	Bake et al.	D23/28
D242,921 S	1/1977	Bake et al.	D23/28
D272,468 S	1/1984	Bulgarelli et al.	D24/99
D274,087 S	5/1984	Yanagi	D23/30
D330,319 S	10/1992	Linderman et al.	D8/70
D358,200 S	5/1995	Cerola	D23/252
D372,250 S	7/1996	Otsuka et al.	
5,823,228 A	10/1998	Chou	
D432,634 S	10/2000	Higgins et al.	D23/250
D433,105 S	10/2000	Mirth et al.	D23/250
D459,444 S	6/2002	Chen	D23/250

D460,529 S	7/2002	Caplow	D23/252
D472,962 S	4/2003	Tripp et al.	D23/252
D503,216 S	3/2005	Berkman et al.	D23/250
D505,994 S	6/2005	Blomstrom	D23/252
D538,895 S	3/2007	Sallick et al.	D23/250
7,225,832 B2 *	6/2007	Stamler	137/597
D579,523 S	10/2008	Montgomery et al.	D23/250
D601,586 S	10/2009	Stamler	
D613,824 S	4/2010	Sofield	D23/250
D615,626 S	5/2010	Tippens et al.	D23/252
2006/0225792 A1	10/2006	Stamler	

* cited by examiner

Primary Examiner — T. Chase Nelson

Assistant Examiner — Ania Aman

(74) *Attorney, Agent, or Firm* — Ohlandt, Greeley, Ruggiero & Perle, LLP

(57) **CLAIM**

The ornamental design for the valve manifold, as shown and described.

DESCRIPTION

FIG. 1 is a front perspective view of a valve manifold according to the present disclosure;

FIG. 2 is a rear perspective view of the valve manifold of FIG. 1;

FIG. 3 is a front view of the valve manifold of FIG. 1;

FIG. 4 is a back view of the valve manifold of FIG. 1;

FIG. 5 is a top view of the valve manifold of FIG. 1;

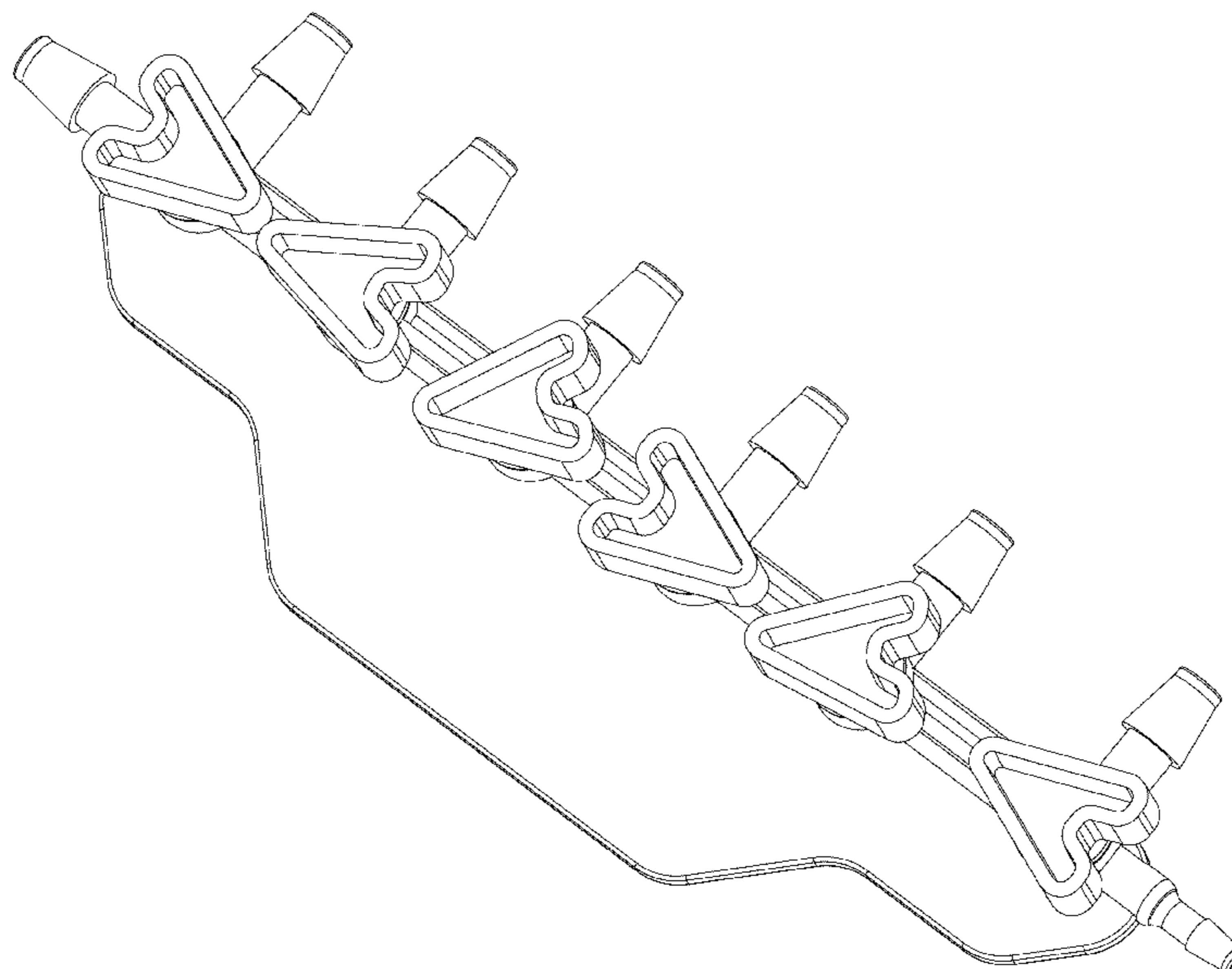
FIG. 6 is a bottom view of the valve manifold of FIG. 1;

FIG. 7 is a right view of the valve manifold of FIG. 1; and,

FIG. 8 is a left view of the valve manifold of FIG. 1.

The broken lines in the drawings illustrating environmental structure or boundaries that form no part of the claimed design.

1 Claim, 6 Drawing Sheets



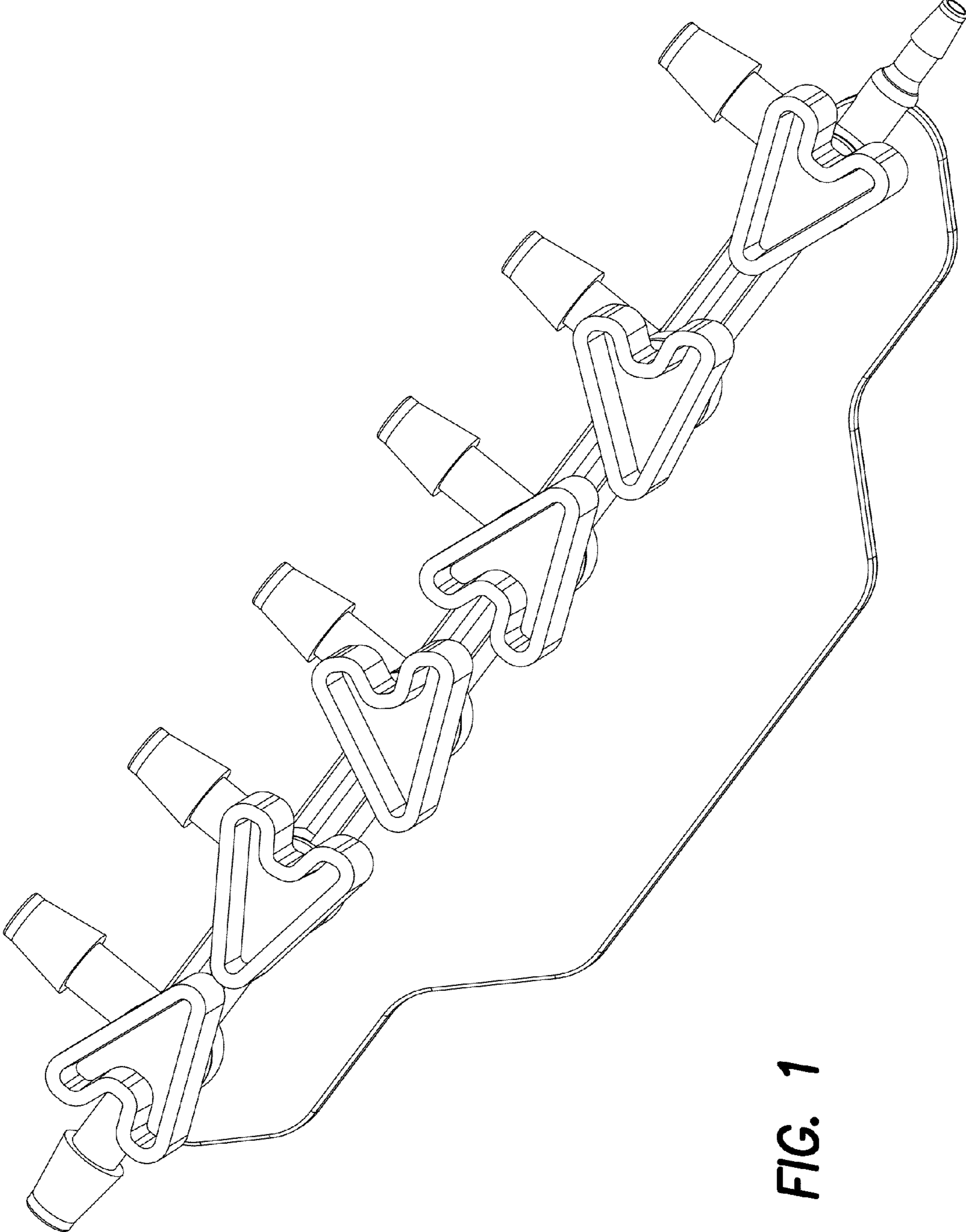


FIG. 1

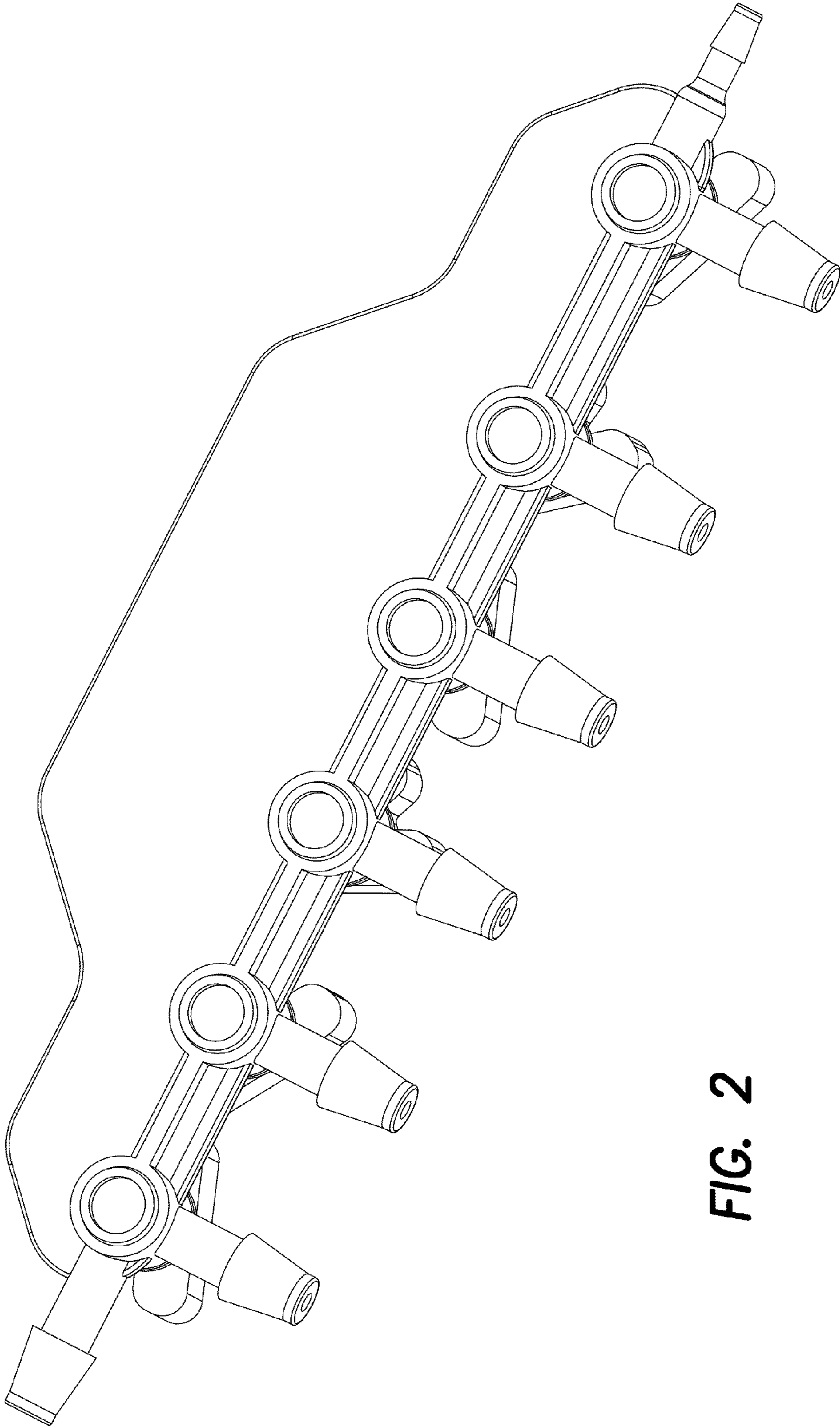


FIG. 2

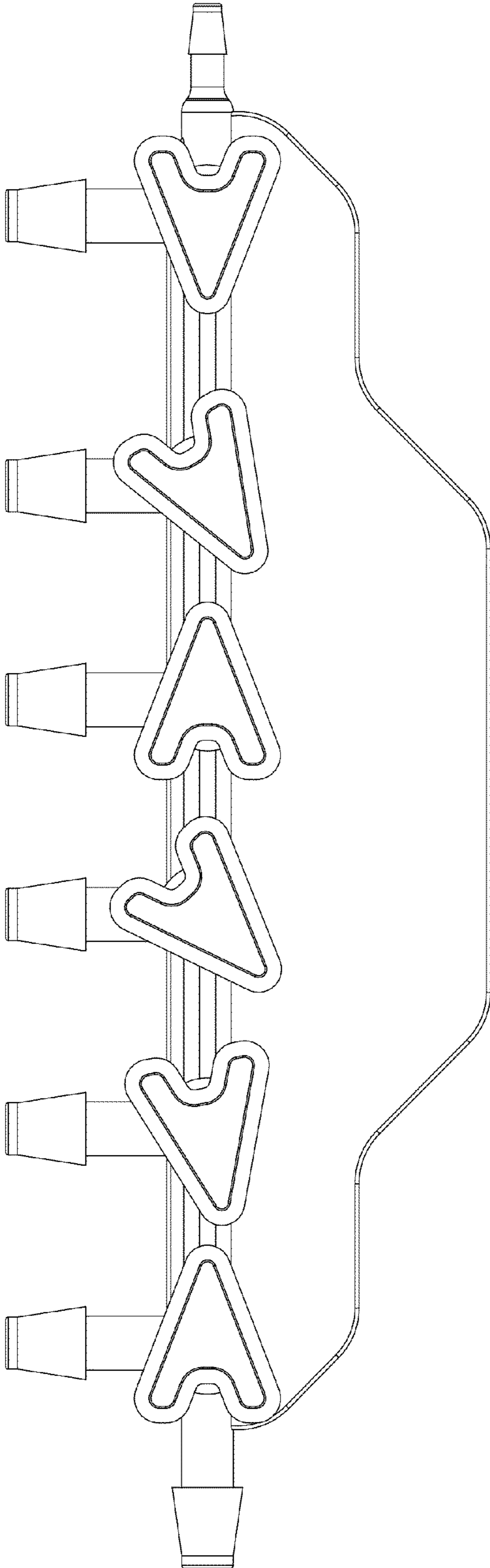


FIG. 3

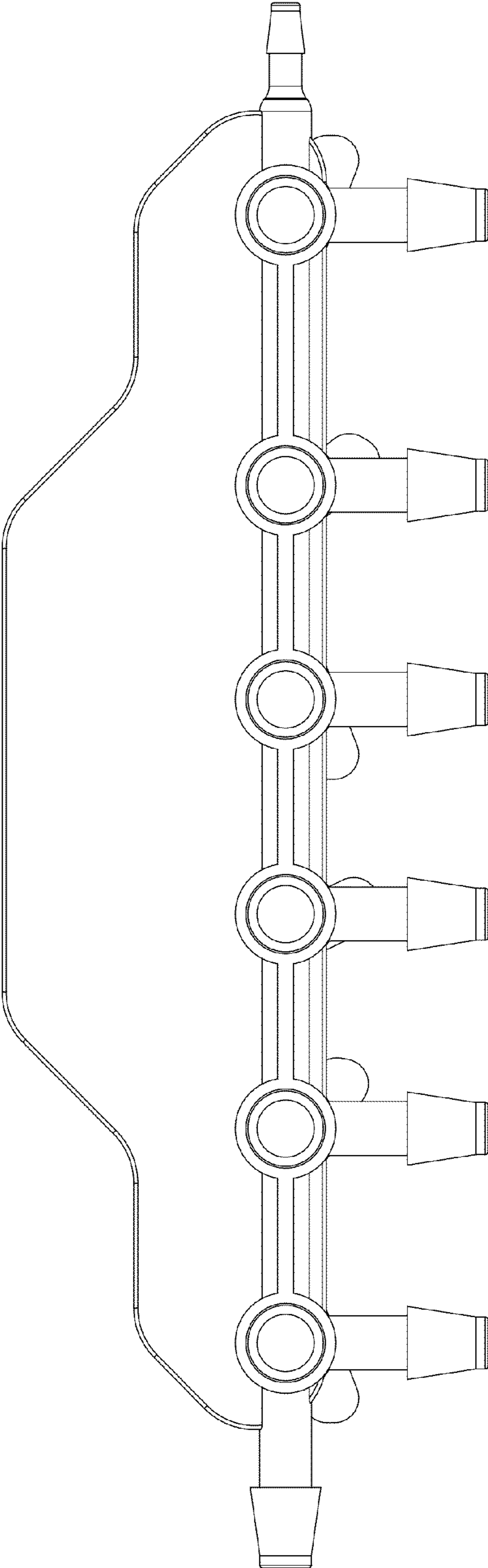


FIG. 4

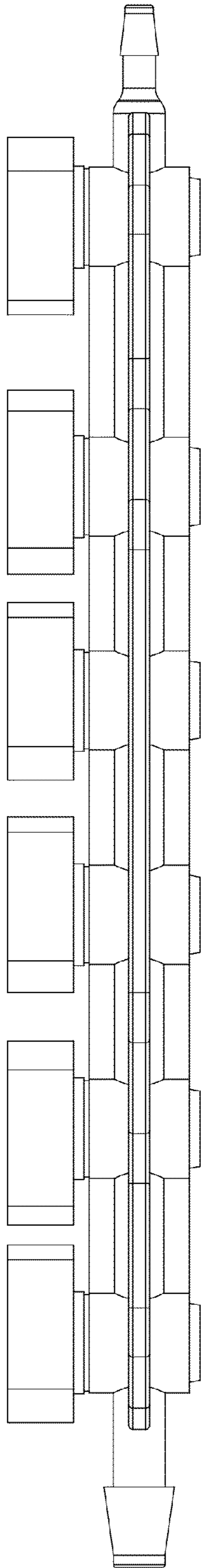


FIG. 5

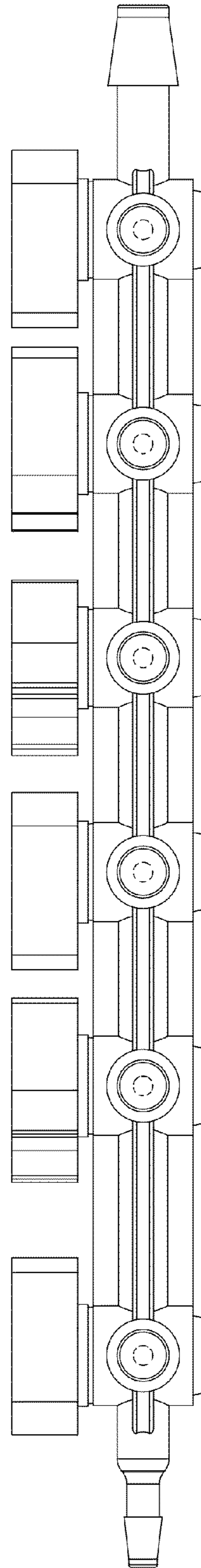


FIG. 6

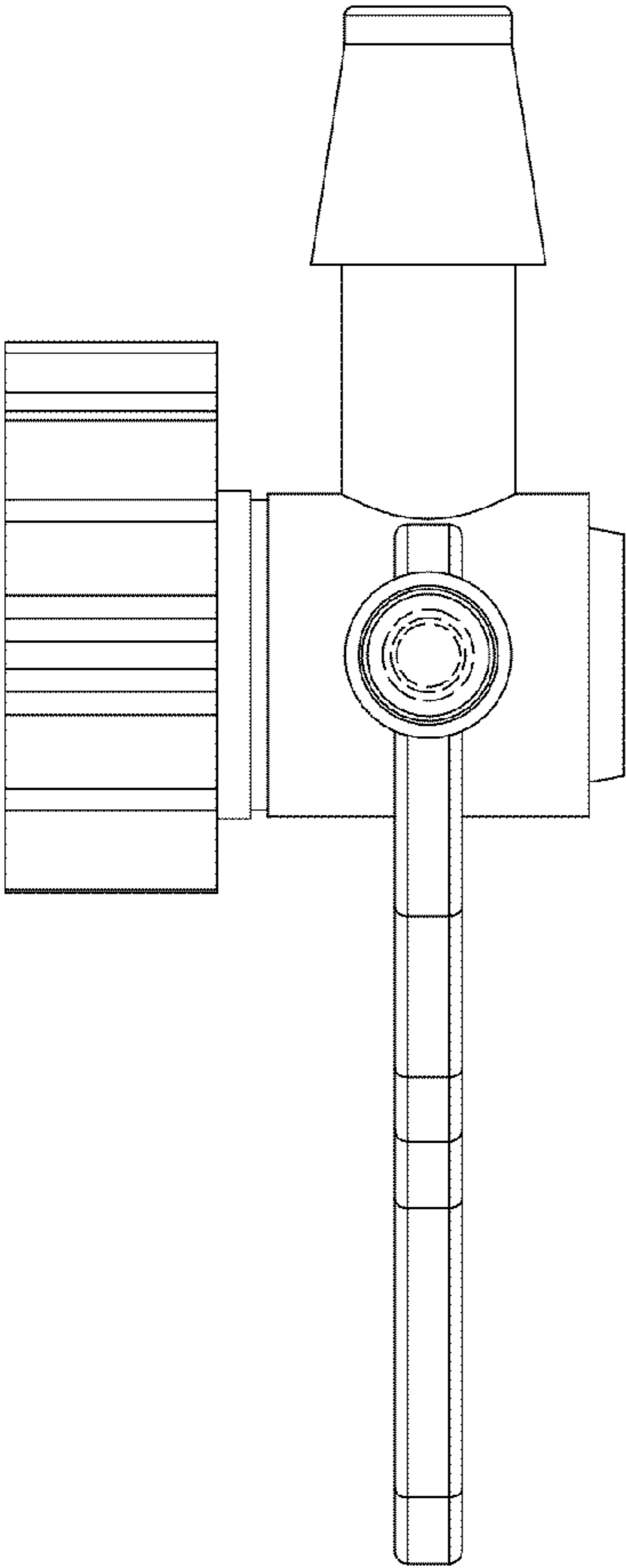


FIG. 7

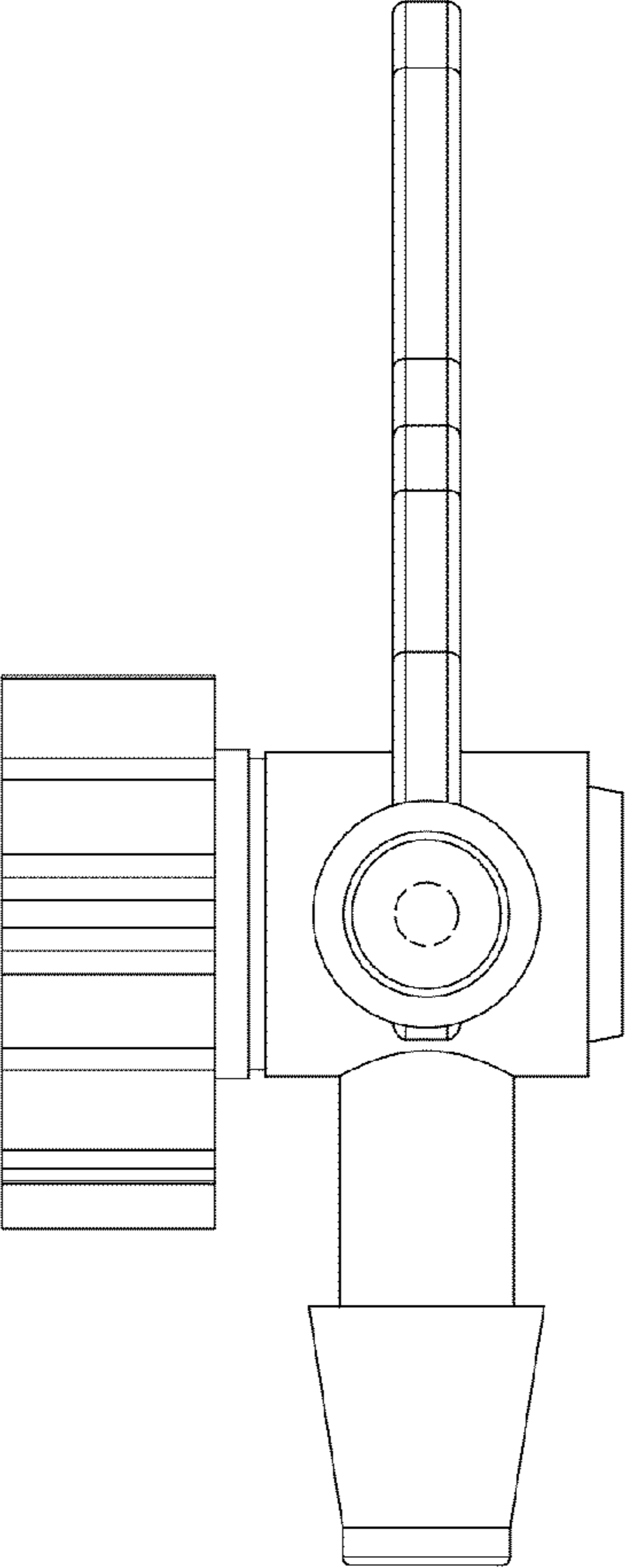


FIG. 8