



US00D694264S

(12) **United States Design Patent**  
**Reinhardt**

(10) **Patent No.:** **US D694,264 S**

(45) **Date of Patent:** **\*\* Nov. 26, 2013**

(54) **ROTATION STAGE**

(75) Inventor: **John C. Reinhardt**, Huntsville, AL (US)

(73) Assignee: **Polaris Sensor Technologies, Inc.**,  
Huntsville, AL (US)

(\*\*) Term: **14 Years**

(21) Appl. No.: **29/428,739**

(22) Filed: **Aug. 2, 2012**

(51) **LOC (9) Cl.** ..... **14-03**

(52) **U.S. Cl.**  
USPC ..... **D14/496; D21/325; D10/46**

(58) **Field of Classification Search**  
USPC ..... D14/496, 356, 357, 358, 420, 422, 432,  
D14/434, 217; D21/325, 329, 369, 821;  
273/148 B, 447, 448, 460, 461; 463/46,  
463/47, 7, 25; D10/46, 80, 94, 95; 356/3,  
356/3.01, 3.07, 3.09, 51; 600/437-448;  
352/85-88, 91 C, 198-203; 116/1, 200,  
116/202, 213; 472/75-79; 52/29

See application file for complete search history.

(56) **References Cited**

**U.S. PATENT DOCUMENTS**

2,097,091 A \* 10/1937 Powell ..... 472/57  
2,227,043 A \* 12/1940 Tompkins ..... 472/78  
6,247,676 B1 \* 6/2001 Yanik ..... 248/652

6,285,457 B2 \* 9/2001 Ukaji ..... 356/500  
6,547,670 B1 \* 4/2003 Kempf ..... 472/77  
D607,105 S \* 12/2009 Otoha et al. .... D24/158  
7,688,528 B2 \* 3/2010 Michael et al. .... 359/811  
7,855,845 B2 \* 12/2010 Heuser et al. .... 359/811  
8,267,388 B2 \* 9/2012 Xu ..... 269/60  
8,425,410 B2 \* 4/2013 Murray et al. .... 600/203

\* cited by examiner

*Primary Examiner* — Prabhakar Deshmukh

(74) *Attorney, Agent, or Firm* — Angela Holt; Bradley Arant  
Boult Cummings LLP

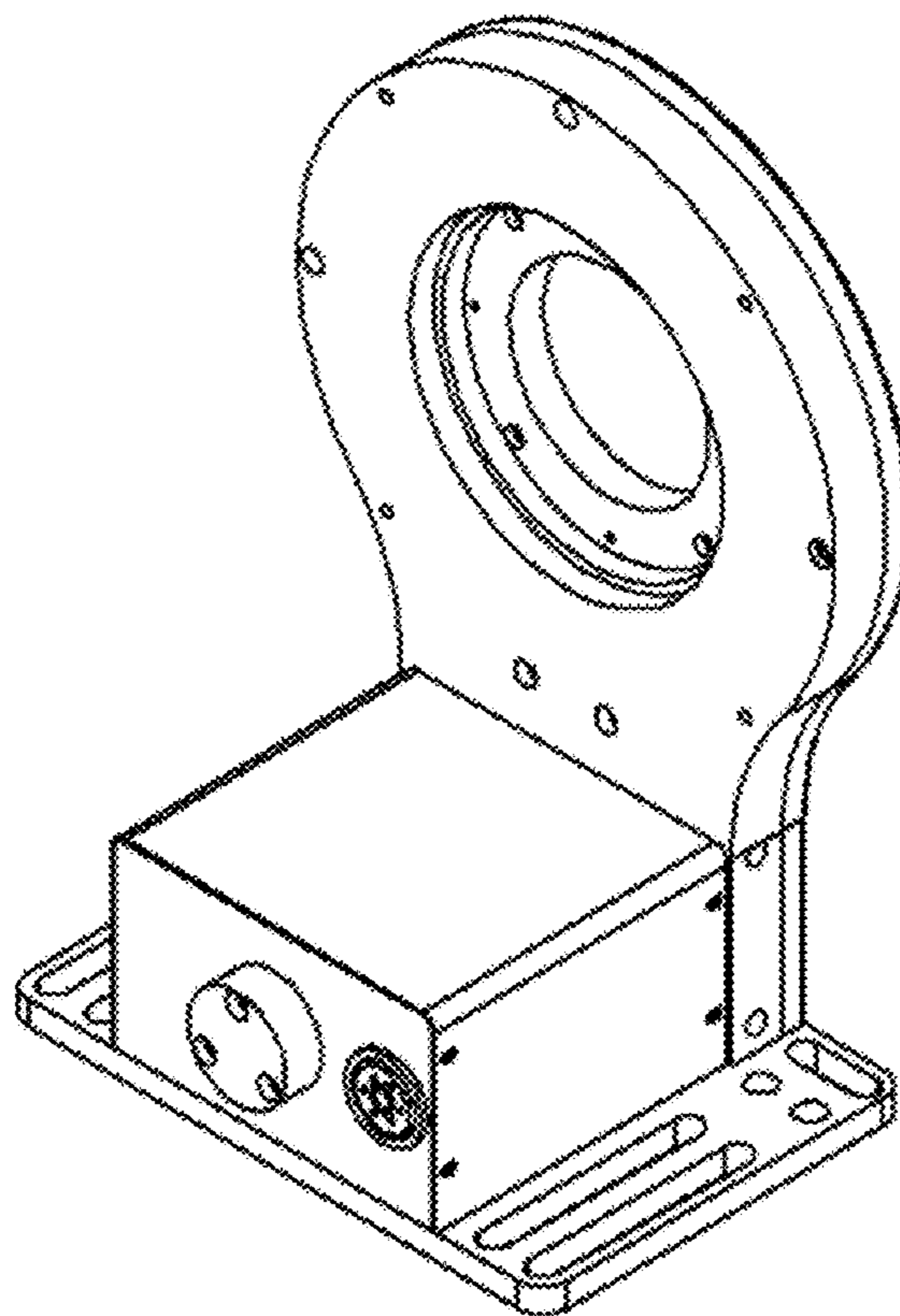
(57) **CLAIM**

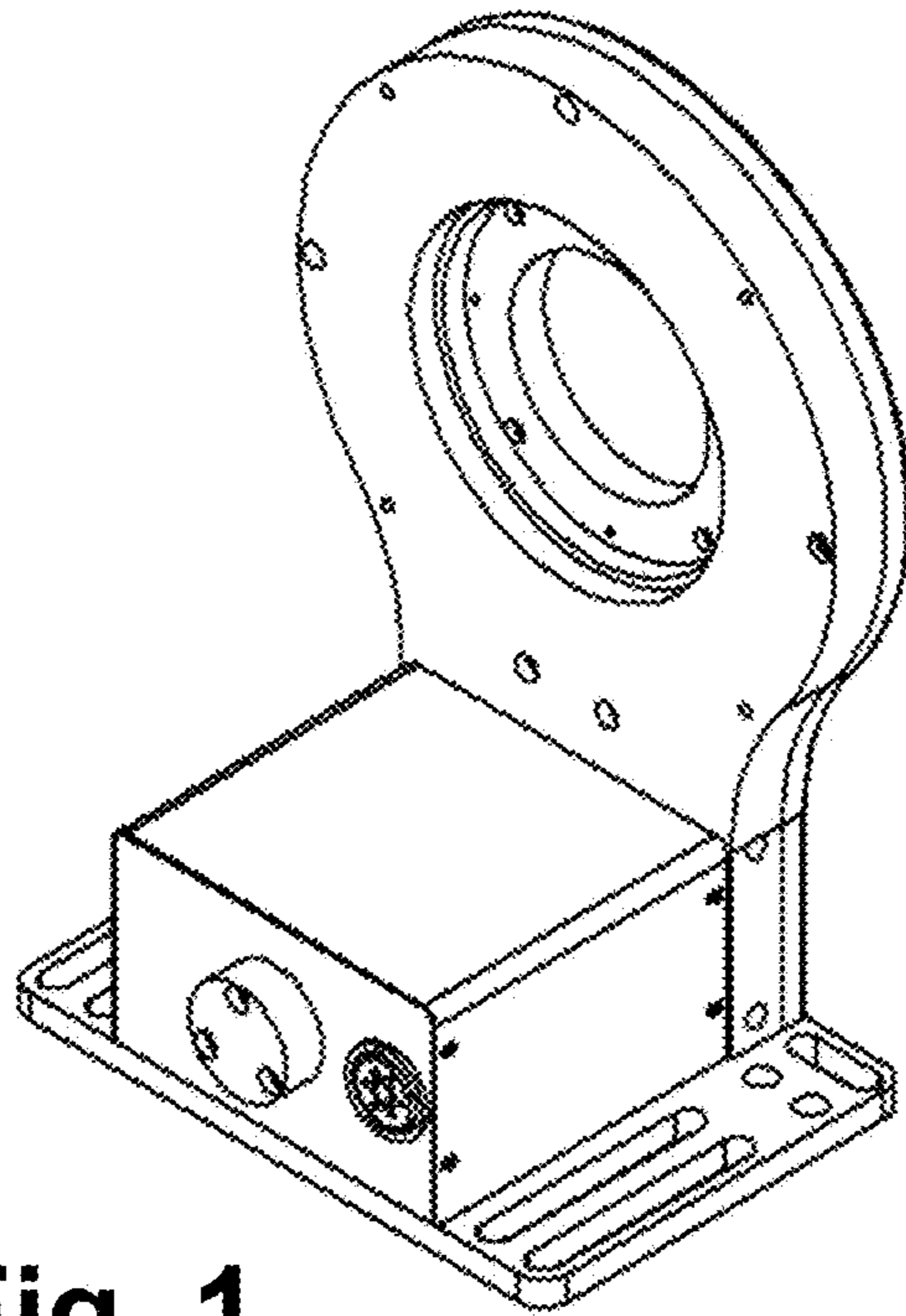
The ornamental design for a rotation stage, as shown and  
described.

**DESCRIPTION**

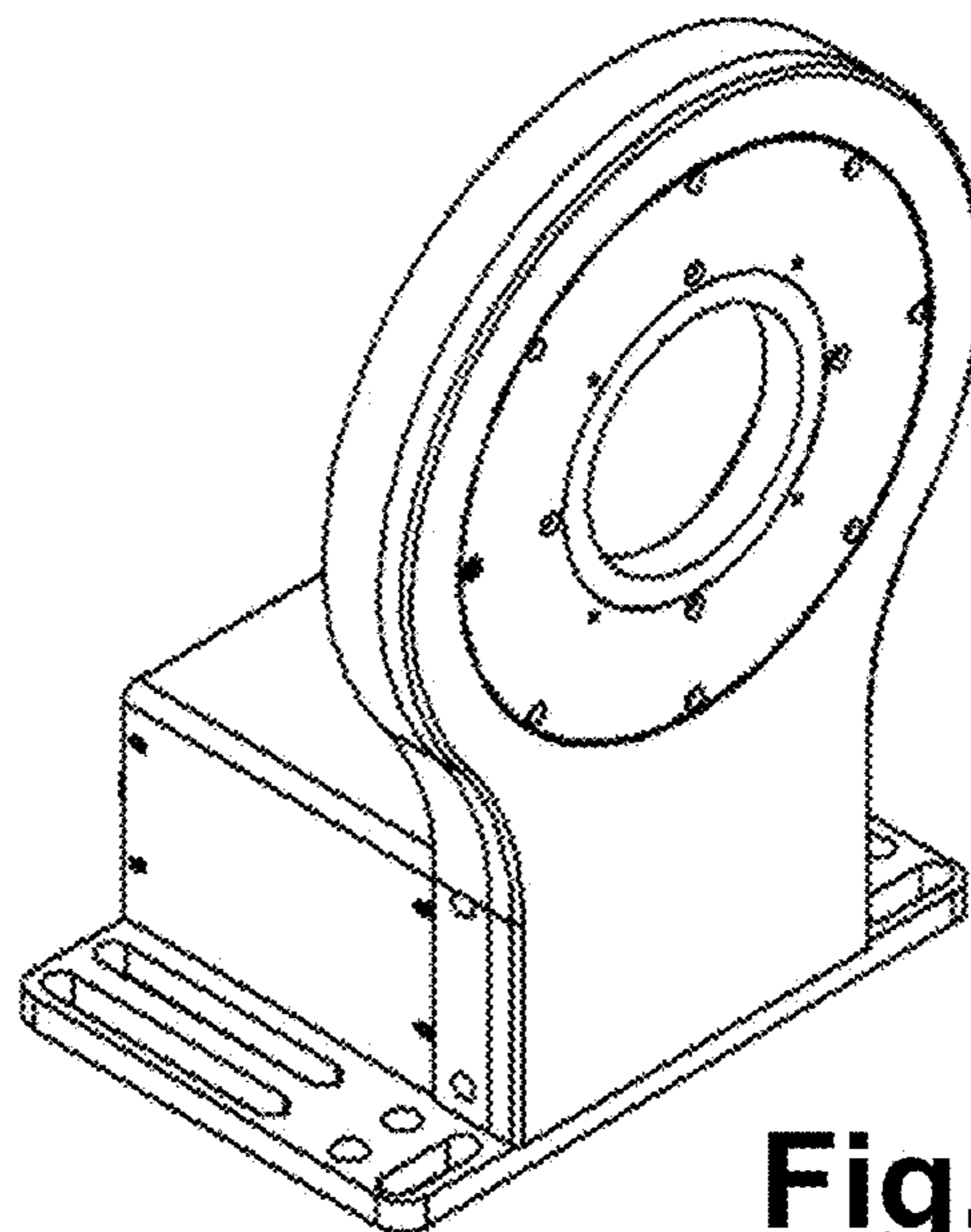
FIG. 1 is a front perspective view of a rotation stage showing  
my new design;  
FIG. 2 is a rear perspective view thereof;  
FIG. 3 is a front elevational view thereof;  
FIG. 4 is a top plan view thereof;  
FIG. 5 is a rear elevational view thereof;  
FIG. 6 is a left side elevational view thereof;  
FIG. 7 is a bottom plan view thereof; and,  
FIG. 8 is right side elevational view thereof.

**1 Claim, 3 Drawing Sheets**

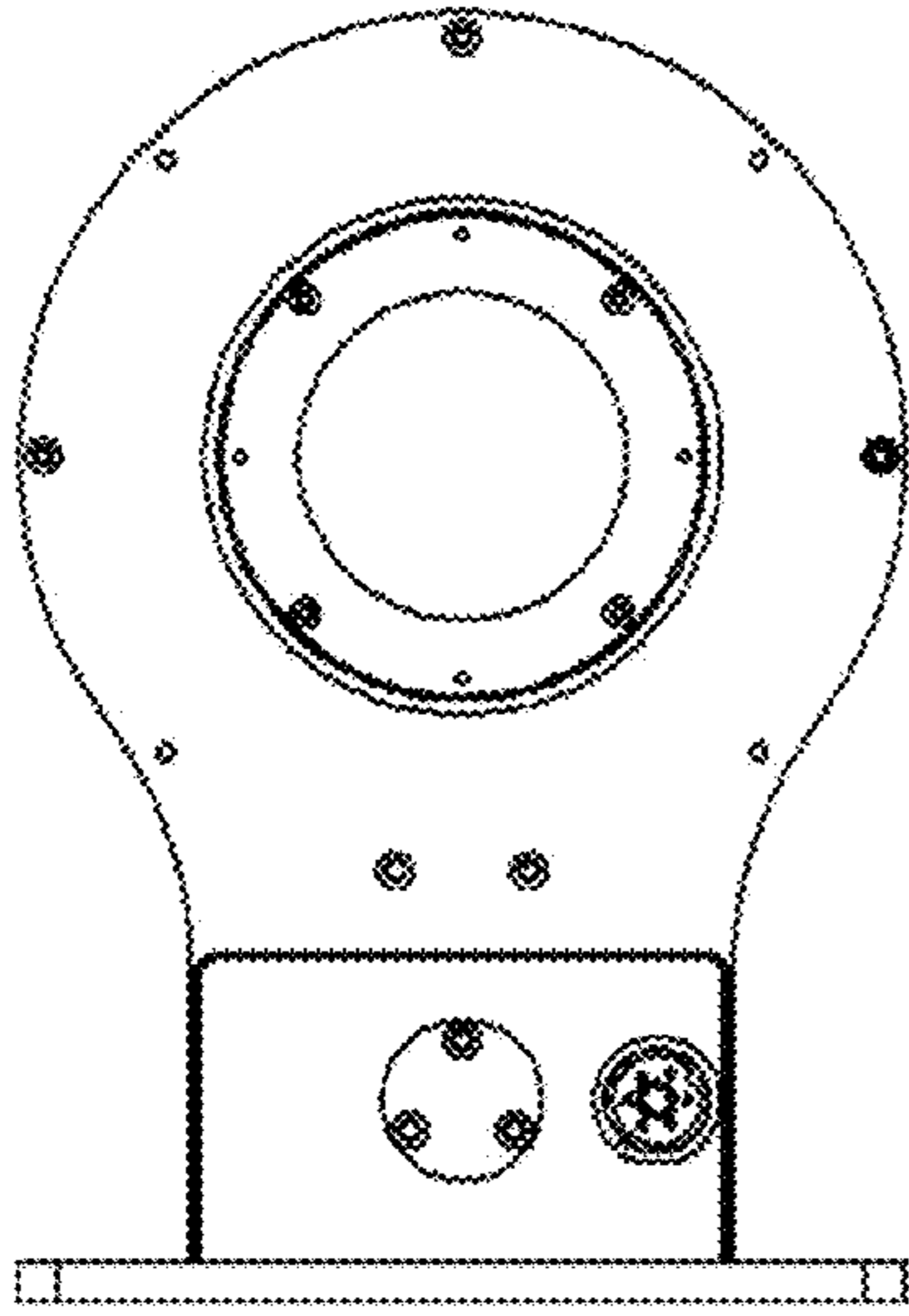




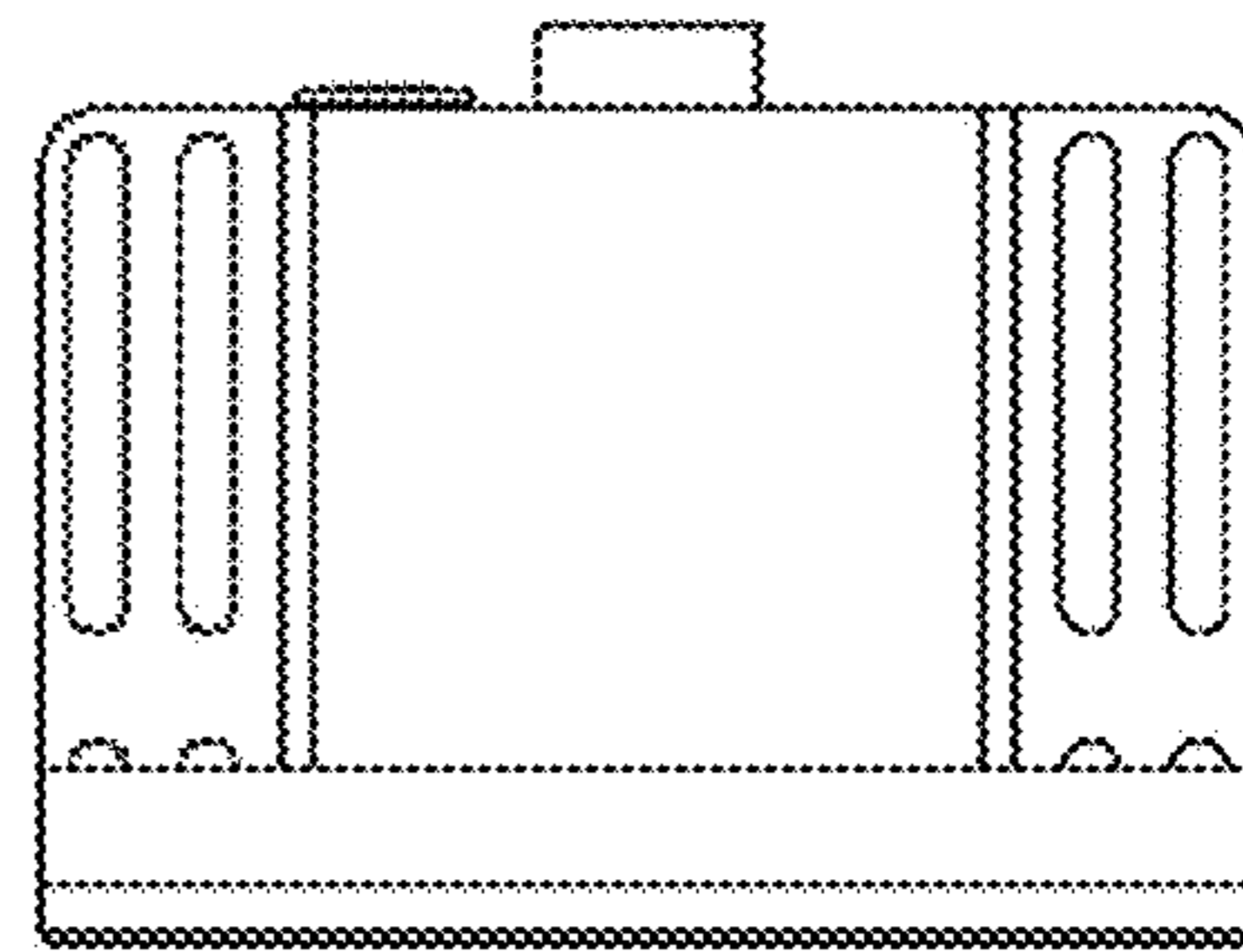
**Fig. 1**



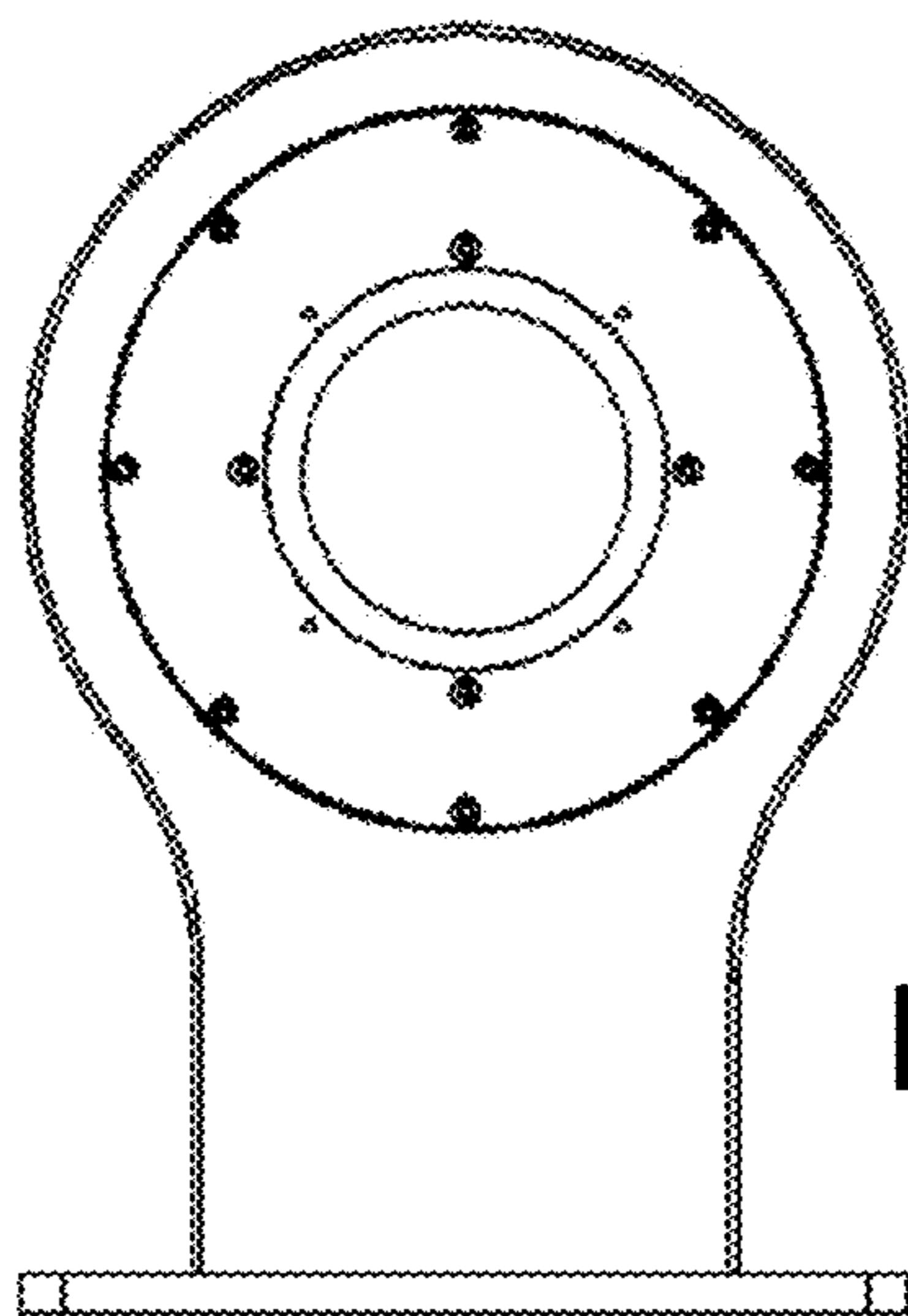
**Fig. 2**



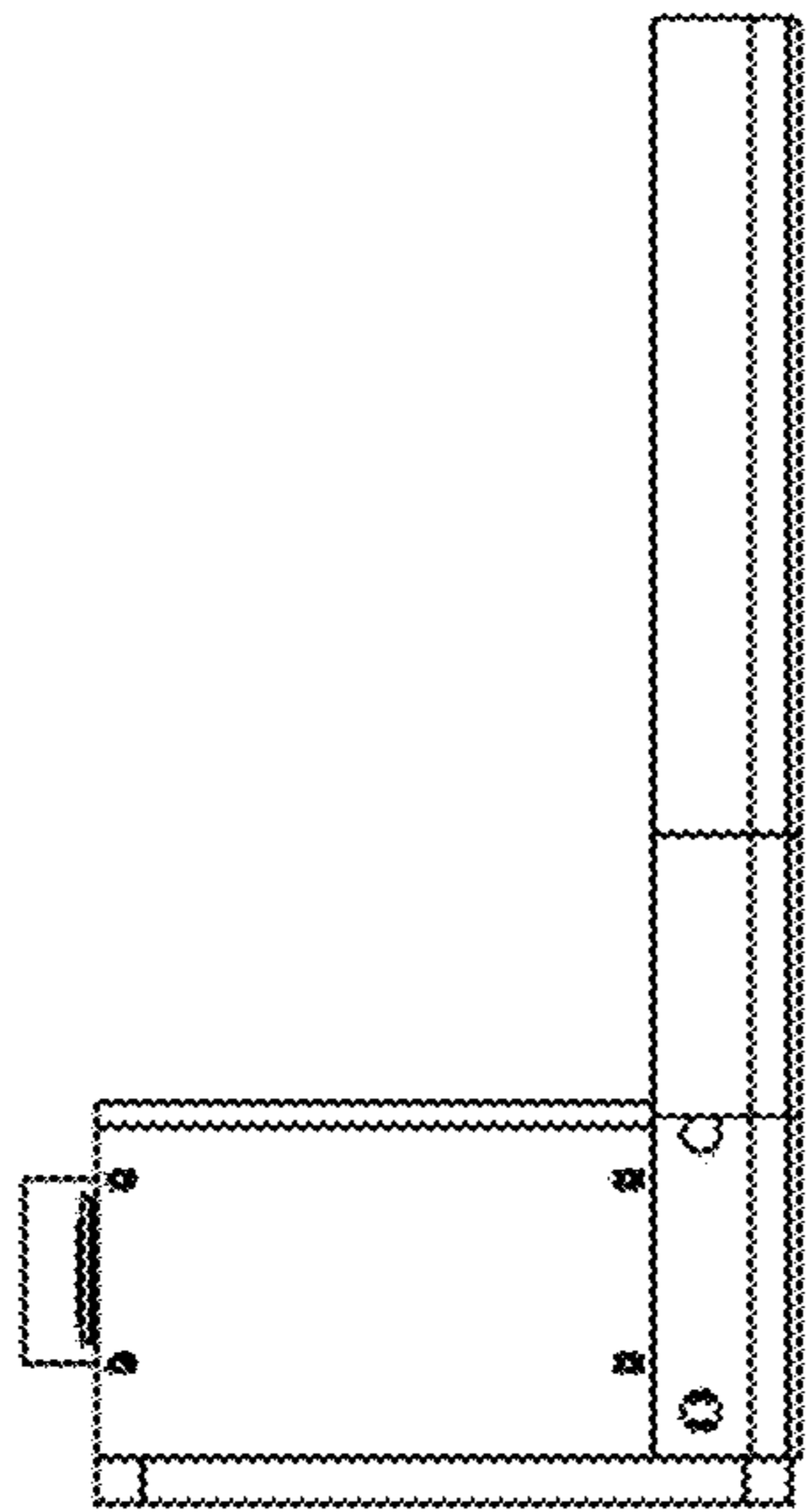
**Fig. 3**



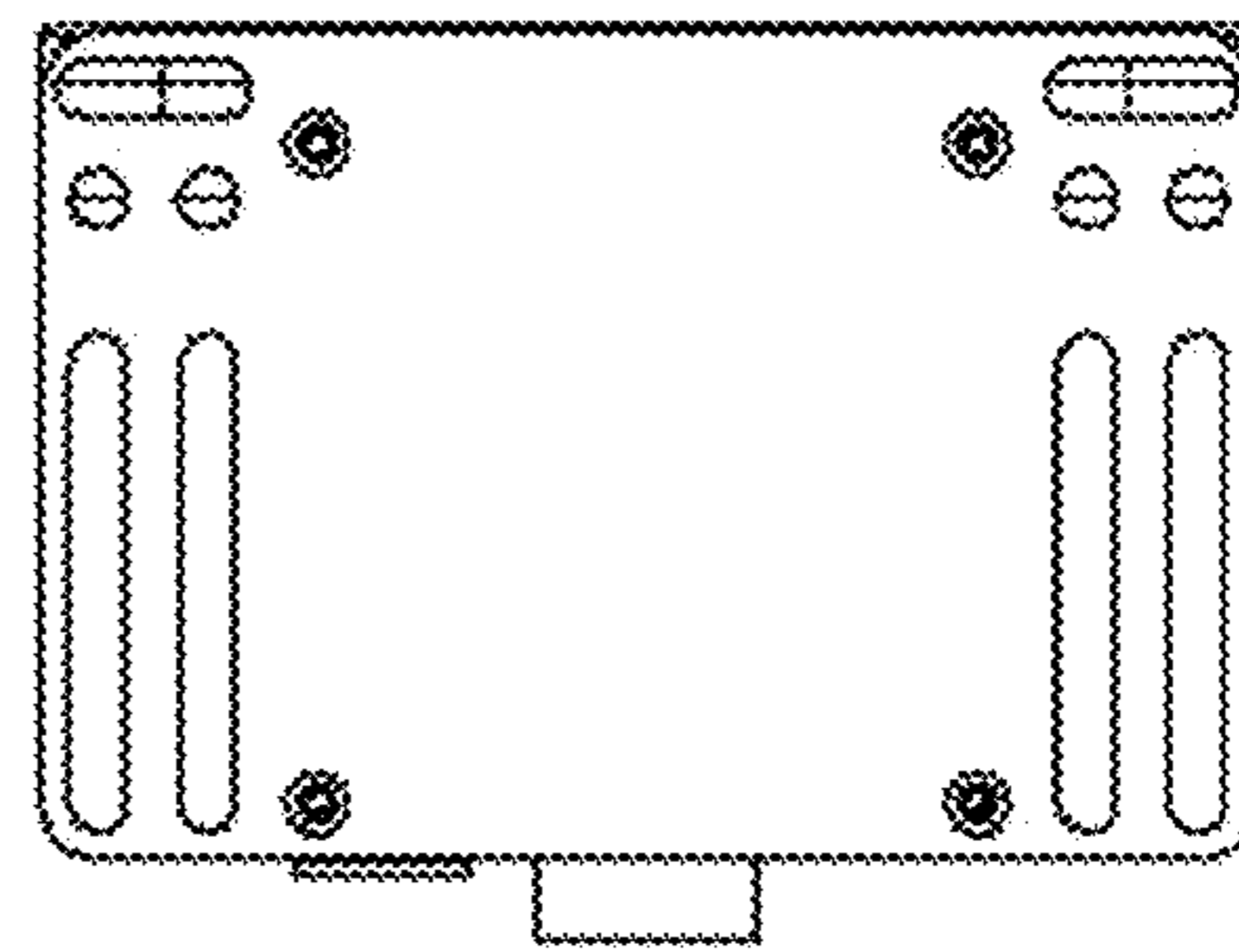
**Fig. 4**



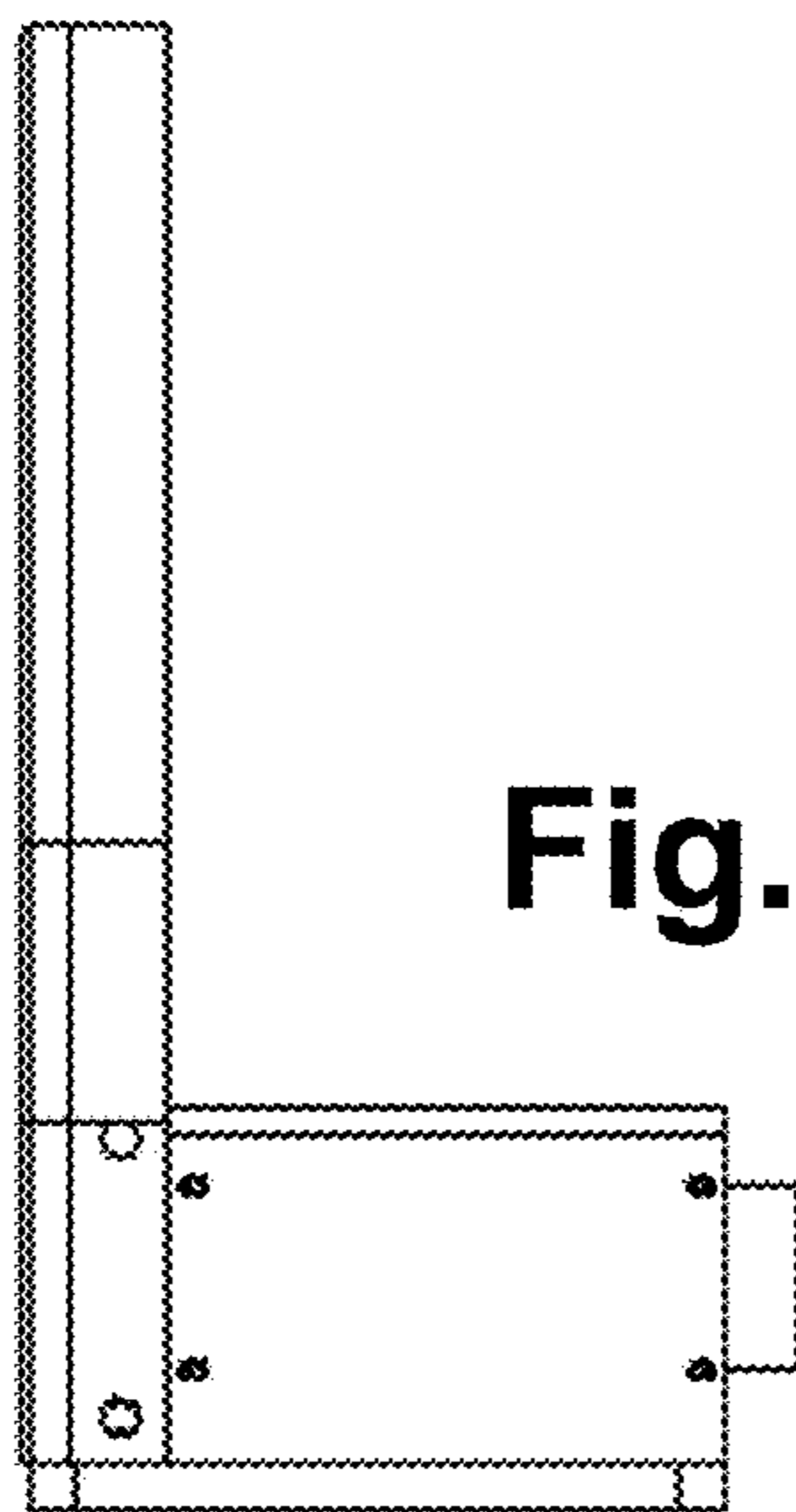
**Fig. 5**



**Fig. 6**



**Fig. 7**



**Fig. 8**