



US00D694261S

(12) **United States Design Patent**
Daniel

(10) **Patent No.:** **US D694,261 S**

(45) **Date of Patent:** **** Nov. 26, 2013**

(54) **COMPUTER SCREEN WITH ICON**

(76) Inventor: **Isaac S. Daniel**, Miramar, FL (US)

(**) Term: **14 Years**

(21) Appl. No.: **29/428,652**

(22) Filed: **Aug. 1, 2012**

Related U.S. Application Data

(63) Continuation-in-part of application No. 29/402,350, filed on Sep. 22, 2011, and a continuation of application No. 29/428,651, filed on Aug. 1, 2012.

(51) **LOC (9) Cl.** **14-04**

(52) **U.S. Cl.**
USPC **D14/489**

(58) **Field of Classification Search**
USPC D14/489, 490, 491, 492, 488, 487, 486, D14/485, 493, 494, 495; D19/6; D20/11, D20/23, 37; 715/835, 848, 202, 205, 723, 715/700, 724, 725, 726, 841, 701, 702, 703, 715/704, 705, 867, 866, 849, 850, 836, 837, 715/838, 839, 840, 842, 843, 844, 710, 711, 715/712

See application file for complete search history.

(56) **References Cited**

U.S. PATENT DOCUMENTS

D270,271 S *	8/1983	Steele	D18/27
D390,548 S *	2/1998	Maekawa et al.	D14/488
D452,692 S *	1/2002	Fukuda	D14/489
D474,195 S *	5/2003	Kates et al.	D14/485
D493,177 S *	7/2004	Retuta et al.	D14/486
D493,471 S *	7/2004	McIntosh	D14/485
D497,617 S *	10/2004	Decombe et al.	D14/486
D562,845 S *	2/2008	Armstrong et al.	D14/490
D572,722 S *	7/2008	Guimaraes et al.	D14/493

D589,792 S *	4/2009	Clabough et al.	D9/434
D593,122 S *	5/2009	Danton	D14/489
D595,732 S *	7/2009	Chaudhri et al.	D14/492
D597,101 S *	7/2009	Chaudhri et al.	D14/488
D597,554 S *	8/2009	Danton	D14/491
D599,378 S *	9/2009	Mays	D14/492
D602,033 S *	10/2009	Vu et al.	D14/485
D607,008 S *	12/2009	Kocmick	D14/489
D613,750 S *	4/2010	Truelove et al.	D14/492
D615,546 S *	5/2010	Lundy et al.	D14/485
D620,023 S *	7/2010	Flik et al.	D14/493
D628,584 S *	12/2010	Umezawa	D14/489
D637,613 S *	5/2011	Batchelder et al.	D14/488
D642,195 S *	7/2011	Marks et al.	D14/490
D644,242 S *	8/2011	Matas	D14/489
D644,662 S *	9/2011	Gardner et al.	D14/495
D649,159 S *	11/2011	Viggers et al.	D14/492
D654,930 S *	2/2012	Morrow et al.	D14/492
D659,708 S *	5/2012	Amos	D14/489

(Continued)

Primary Examiner — Kevin Rudzinski

(74) *Attorney, Agent, or Firm* — Carol N. Green, Esq.

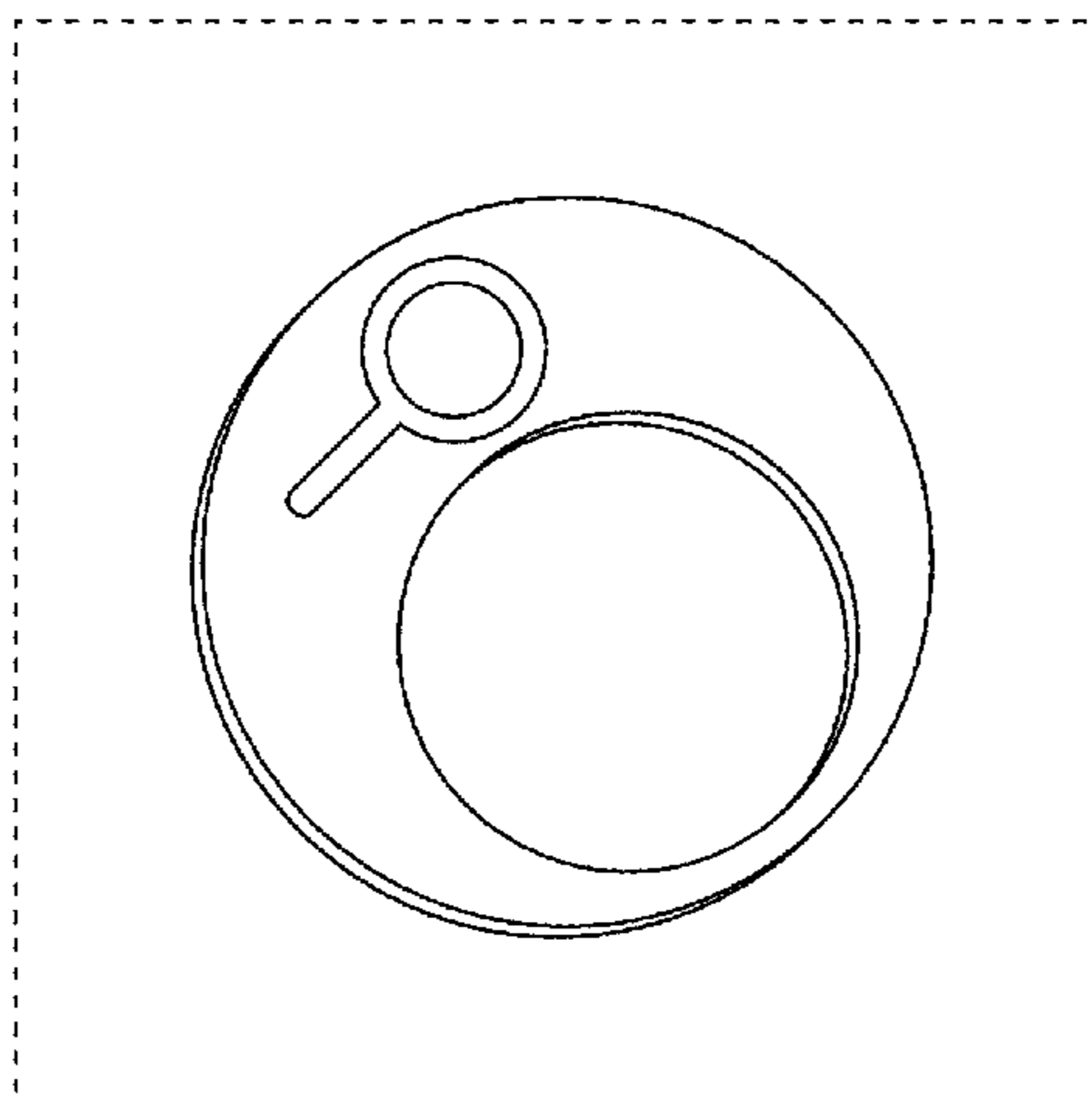
(57) **CLAIM**

The ornamental design for a computer screen with icon, as shown and described.

DESCRIPTION

FIG. 1 is a front view of a computer screen with icon.
FIG. 2 is a perspective view of the computer screen with icon.
FIG. 3 is a second perspective view of the computer screen with icon.
FIG. 4 is another embodiment of the computer screen with icon; and,
FIG. 5 is another embodiment of the computer screen with icon.
The outer broken lines in FIGS. 1-5 are representative of a portion of the computer screen and form no part of the claimed design.

1 Claim, 3 Drawing Sheets



US D694,261 S

Page 2

(56)

References Cited

D664,989 S * 8/2012 Yang et al. D14/489
D673,580 S * 1/2013 Doerr D14/489

U.S. PATENT DOCUMENTS

D659,711 S * 5/2012 Guss et al. D14/495 * cited by examiner

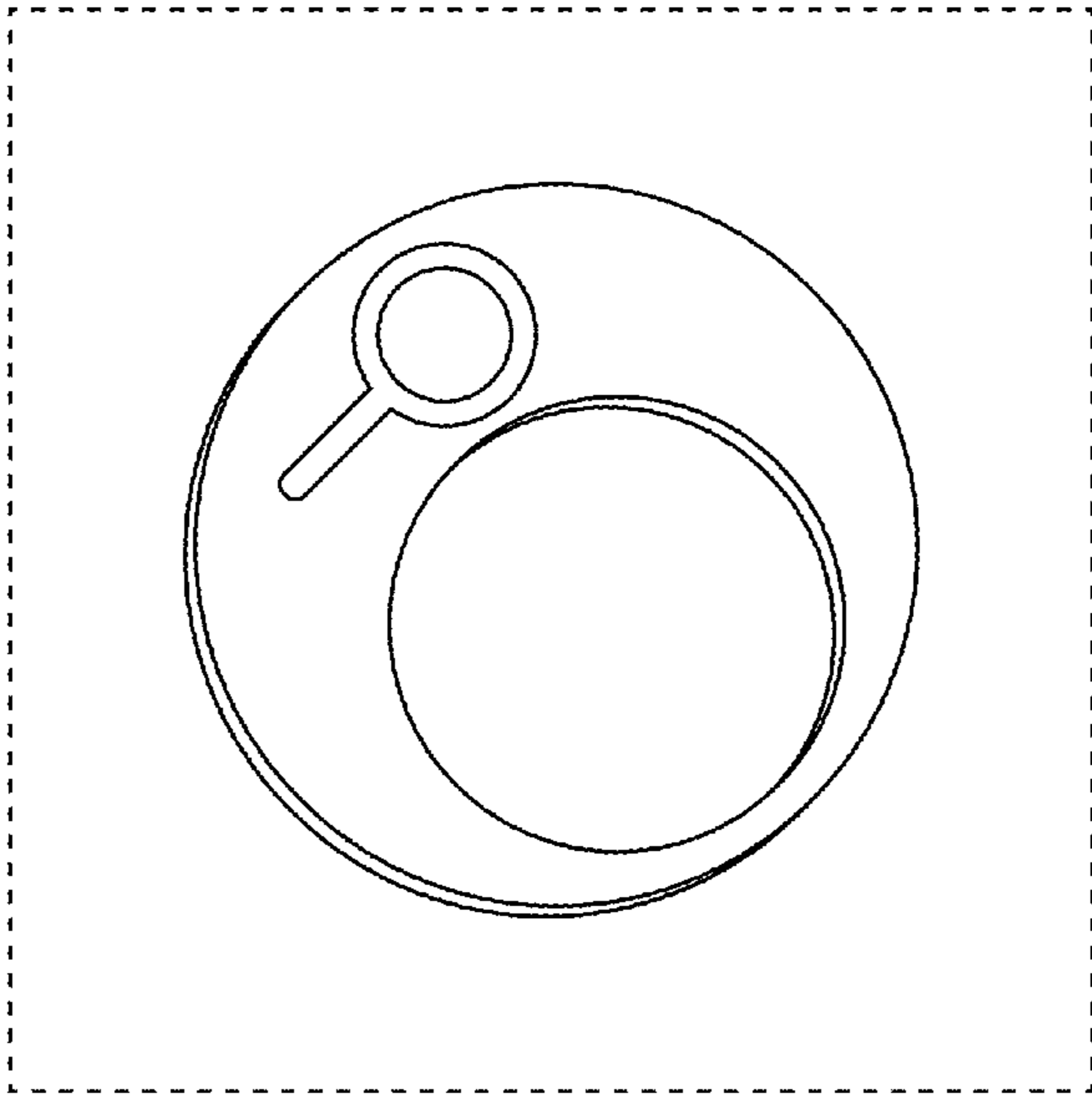


FIG 1

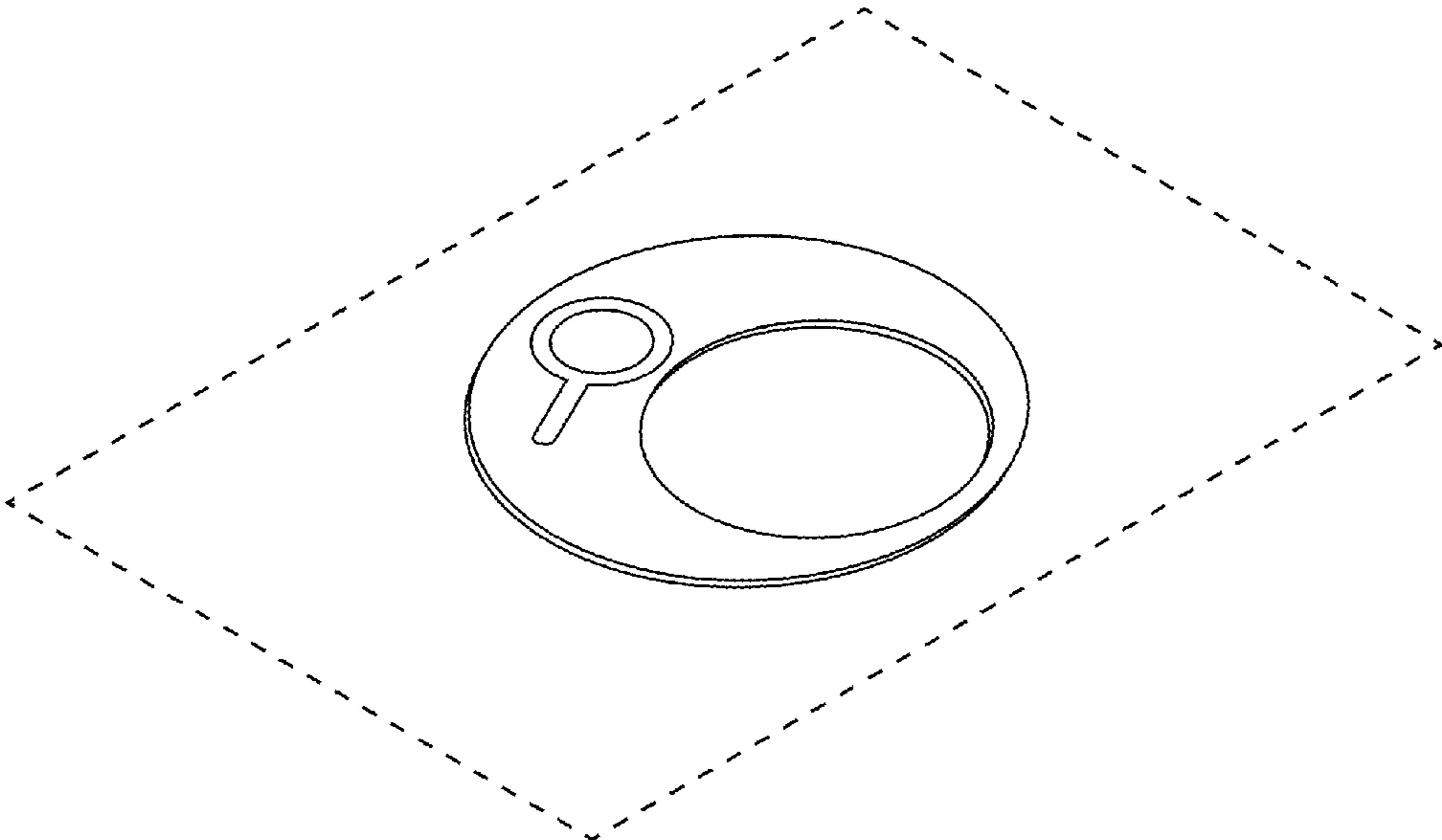


FIG 2

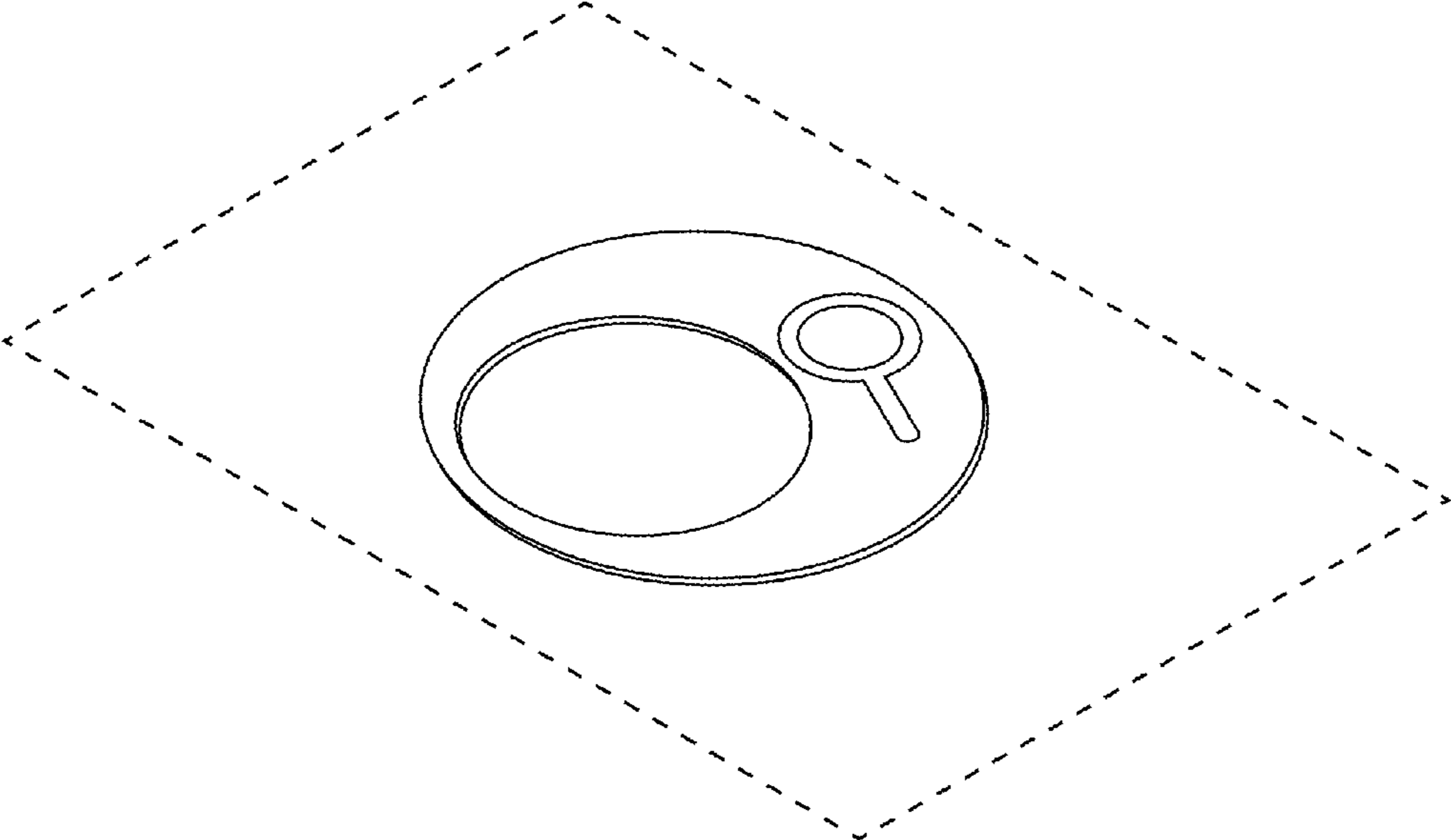


FIG 3

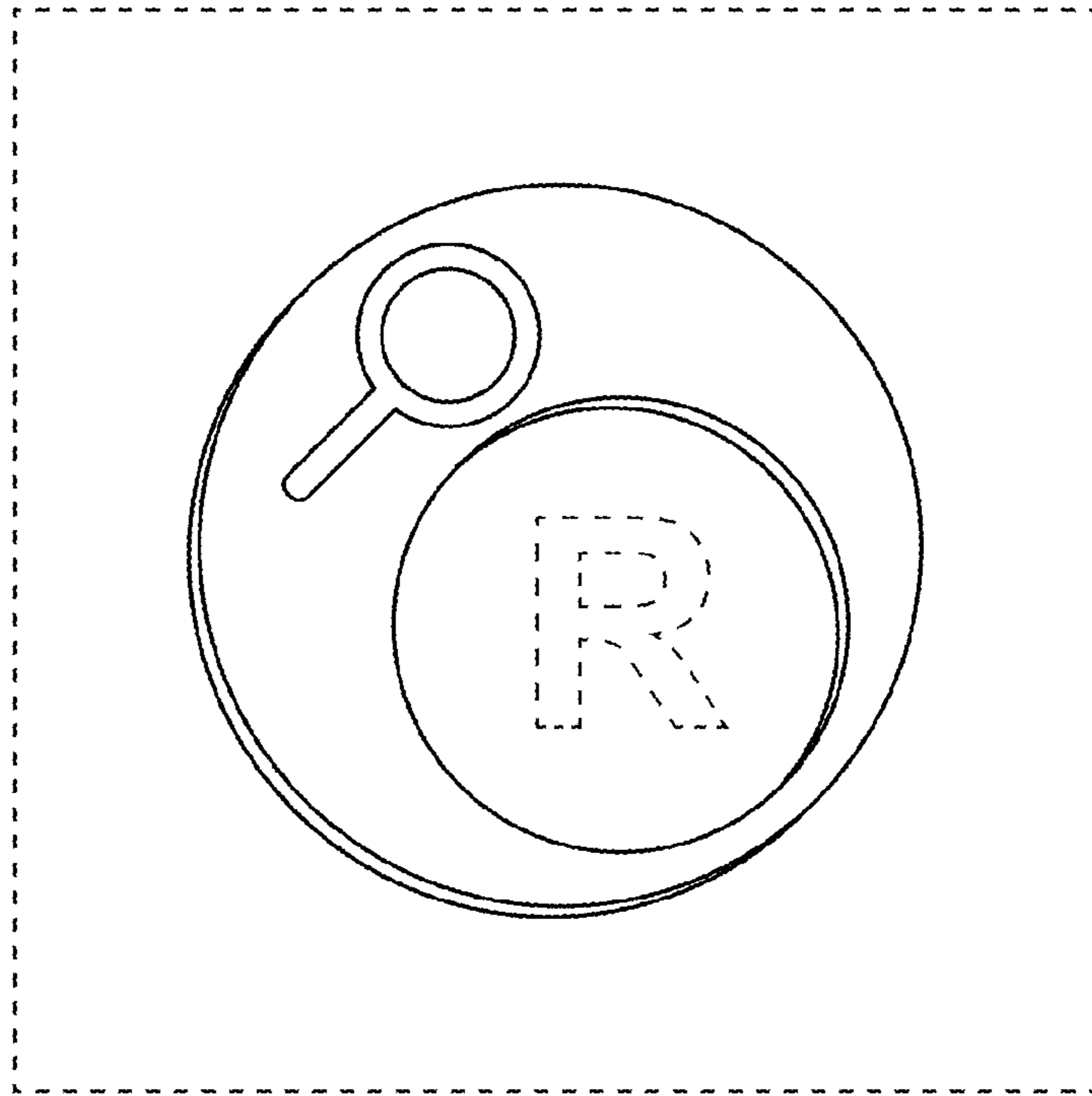


FIG 4

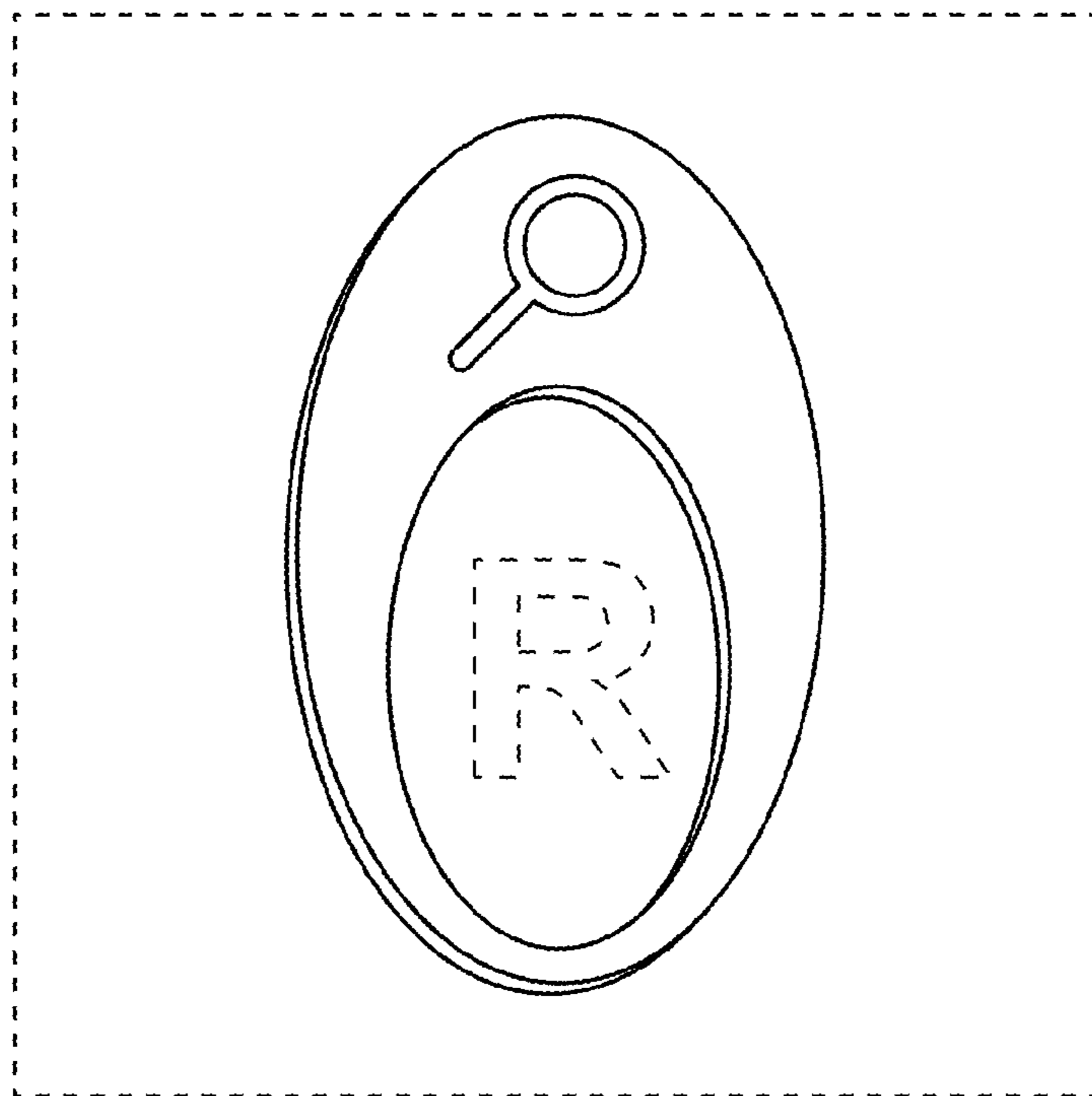


FIG 5