



US00D694250S

(12) **United States Design Patent**  
**Andre et al.**

(10) **Patent No.:** **US D694,250 S**  
(45) **Date of Patent:** **\*\* Nov. 26, 2013**

(54) **COMPUTER**

(75) Inventors: **Bartley K. Andre**, Menlo Park, CA (US); **Daniel J. Coster**, San Francisco, CA (US); **Daniele De Iuliis**, San Francisco, CA (US); **Richard P. Howarth**, San Francisco, CA (US); **Jonathan P. Ive**, San Francisco, CA (US); **Duncan Robert Kerr**, San Francisco, CA (US); **Shin Nishibori**, Portola Valley, CA (US); **Matthew Dean Rohrbach**, San Francisco, CA (US); **Peter Russell-Clarke**, San Francisco, CA (US); **Douglas B. Satzger**, Menlo Park, CA (US); **Calvin Q. Seid**, Palo Alto, CA (US); **Vincent Keane Seid**, legal representative, Los Gatos, CA (US); **Christopher J. Stringer**, Woodside, CA (US); **Eugene Antony Whang**, San Francisco, CA (US); **Rico Zorkendorfer**, San Francisco, CA (US); **Steve Jobs**, Palo Alto, CA (US)

(73) Assignee: **Apple Inc.**, Cupertino, CA (US)

(\*\*) Term: **14 Years**

(21) Appl. No.: **29/413,827**

(22) Filed: **Feb. 21, 2012**

**Related U.S. Application Data**

(60) Continuation of application No. 29/391,177, filed on May 4, 2011, now Pat. No. Des. 656,501, which is a continuation of application No. 29/365,139, filed on Jul. 2, 2010, now abandoned, which is a division of application No. 29/289,876, filed on Aug. 2, 2007, now Pat. No. Des. 621,841.

(51) **LOC (9) Cl.** ..... **14-02**

(52) **U.S. Cl.**  
USPC ..... **D14/448**

(58) **Field of Classification Search**  
USPC ..... D14/448, 449, 450, 439, 440, 432, 371, D14/372, 373, 374, 375, 376, 377, 378, 379,

D14/380, 381, 382, 336, 337, 125, 126, 127, D14/239; D6/300, 308, 310; 345/905; 348/184, 739, 761, 766, 789, 790, 794, 348/825, 836, 840; 349/58; 248/917-924  
See application file for complete search history.

(56) **References Cited**

U.S. PATENT DOCUMENTS

D294,262 S 2/1988 Thies et al.  
D308,373 S 6/1990 Shimizu

(Continued)

OTHER PUBLICATIONS

Photographs of Dell 1900FP Flat Panel Monitor, released Feb. 26, 2002.

(Continued)

*Primary Examiner* — Angela J Lee

(74) *Attorney, Agent, or Firm* — Saidman DesignLaw Group

(57) **CLAIM**

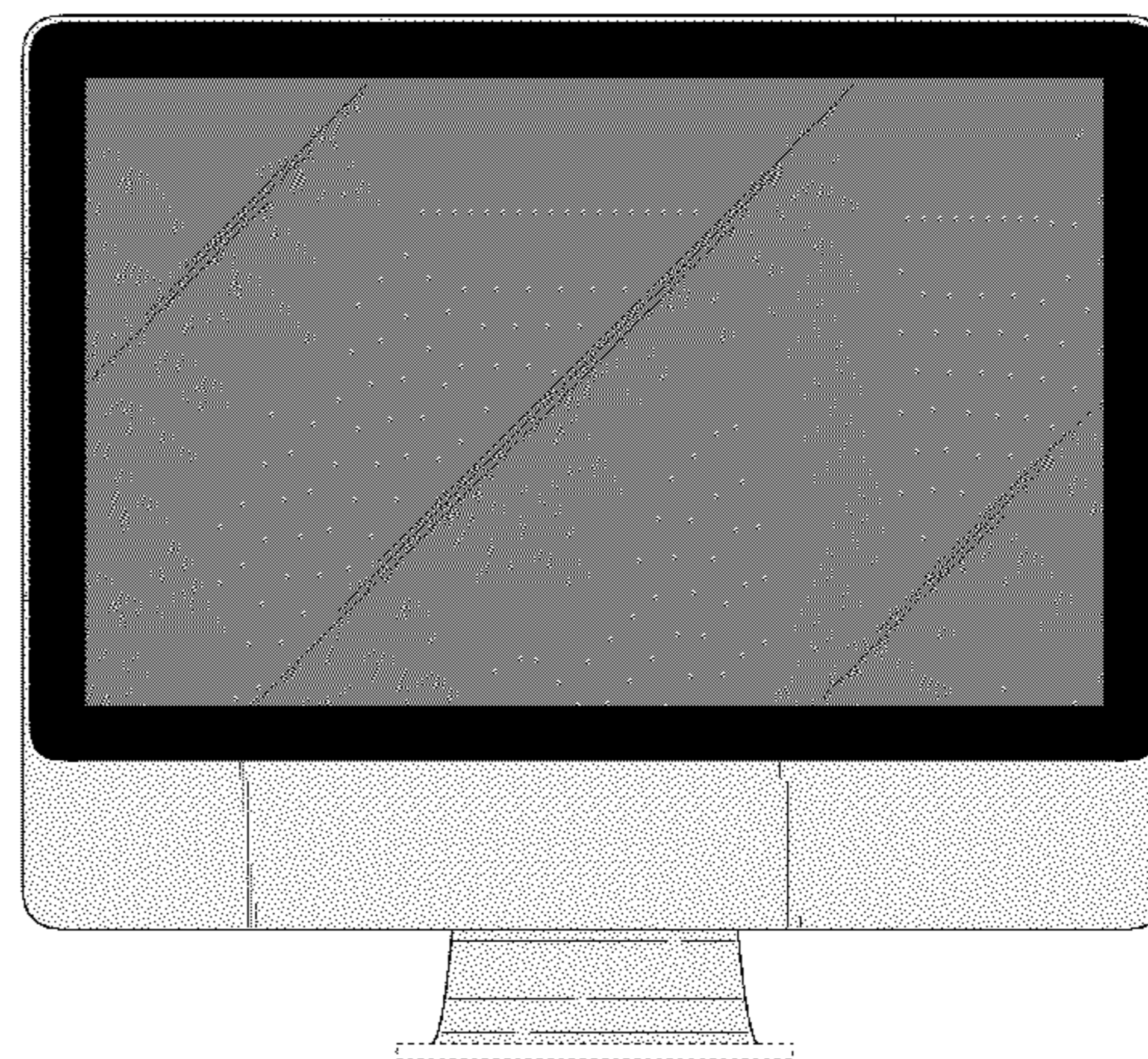
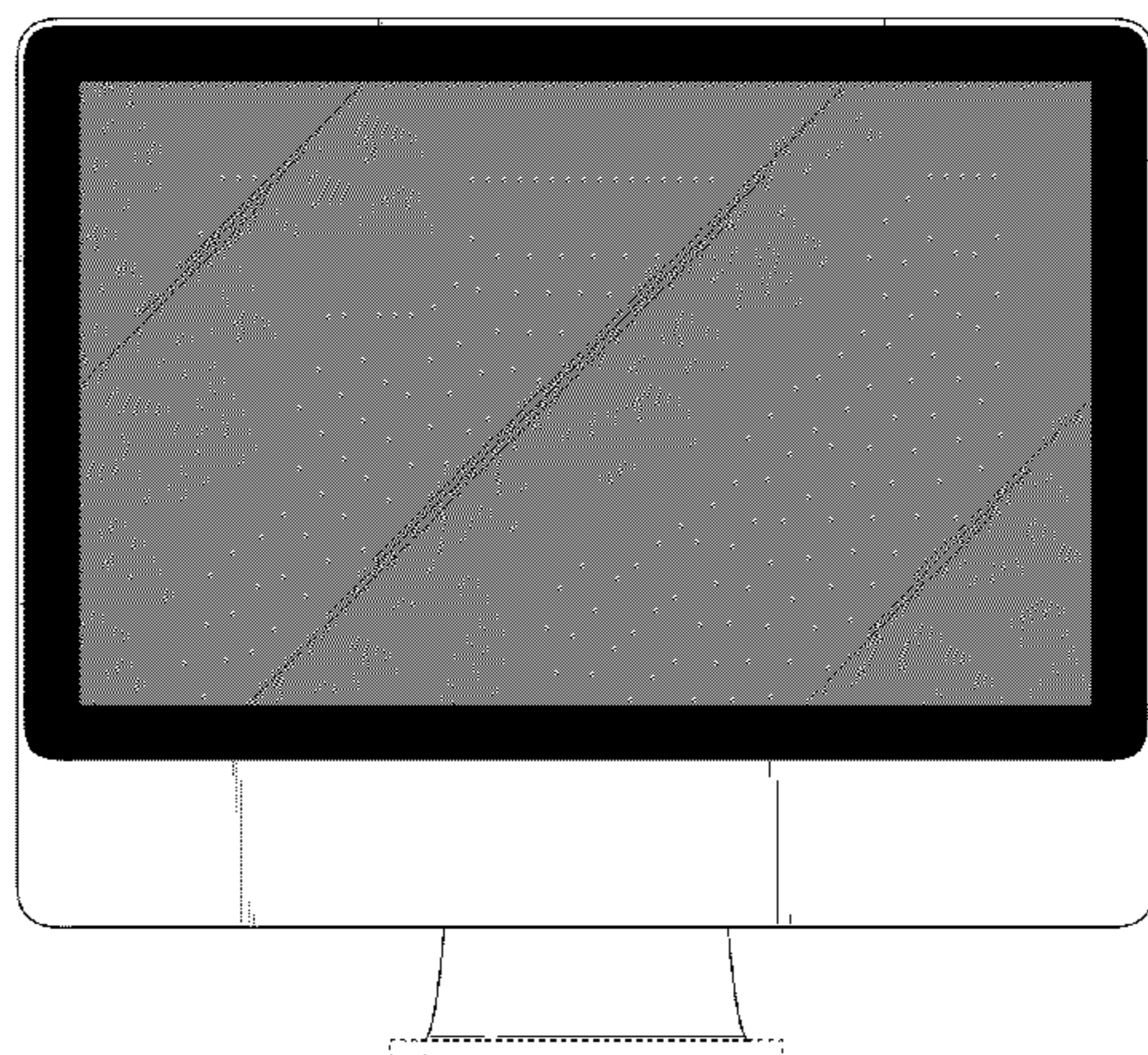
The ornamental design for a computer, as shown and described.

**DESCRIPTION**

FIG. 1 is a front view of a first embodiment of a computer showing our new design;  
FIG. 2 is a rear view thereof;  
FIG. 3 is a left side view thereof;  
FIG. 4 is a right side view thereof;  
FIG. 5 is a top view thereof;  
FIG. 6 is a bottom view thereof;  
FIG. 7 is a front view of a second embodiment thereof;  
FIG. 8 is a rear side view thereof;  
FIG. 9 is a left side view thereof;  
FIG. 10 is a right side view thereof;  
FIG. 11 is a top view thereof; and,  
FIG. 12 is a bottom view thereof.

The broken lines are for the purpose of illustrating portions of the computer and form no part of the claimed design. The black shading on the front of the monitor represents the color black and the dark gray shading on the front of the monitor represents the color gray. The light gray shading on the front of the monitor represents a metallic-looking surface.

**1 Claim, 8 Drawing Sheets**



(56)

References Cited

U.S. PATENT DOCUMENTS

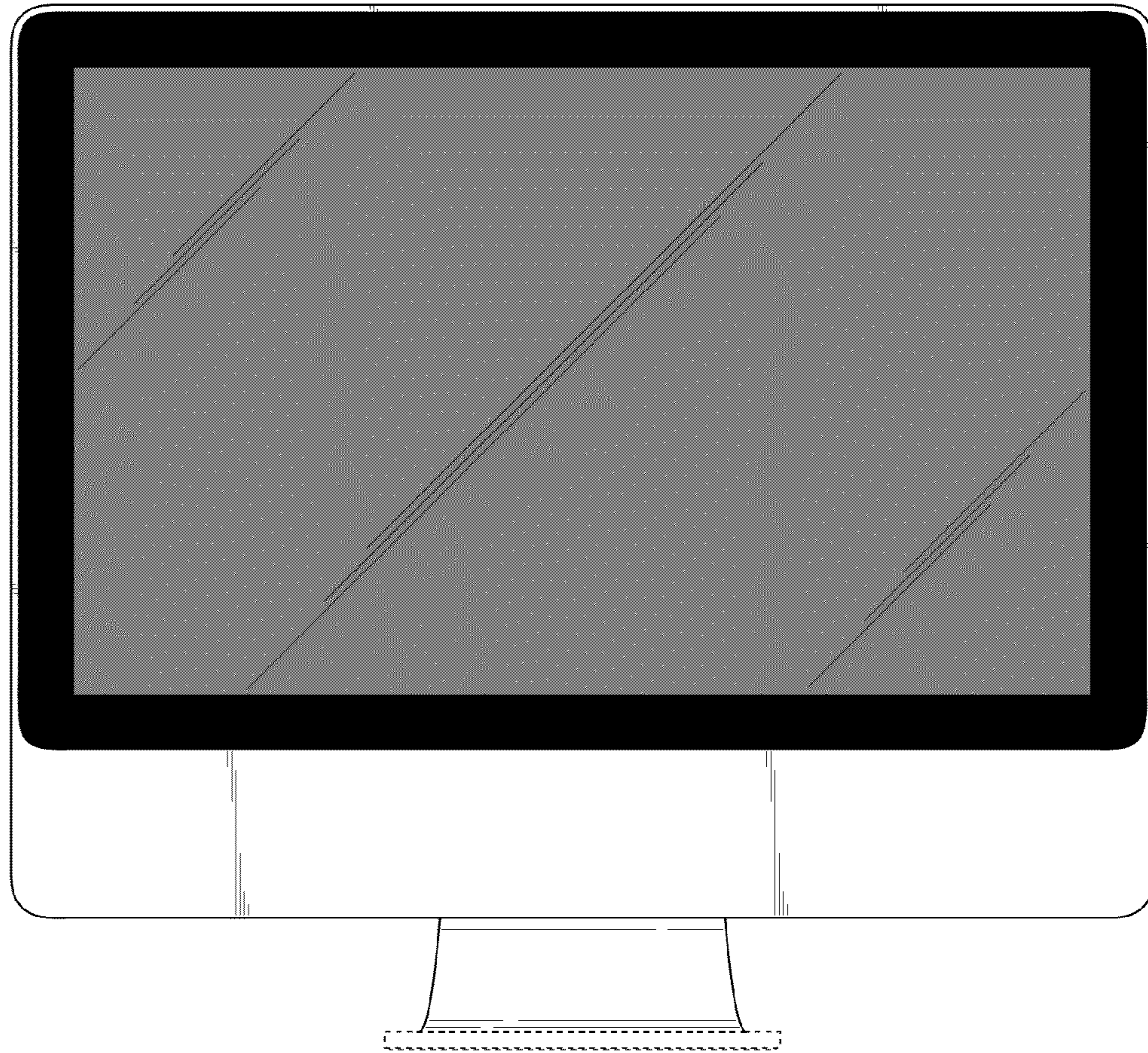
D364,840 S 12/1995 Oshizawa et al.  
 D366,473 S 1/1996 Behar  
 D412,892 S 8/1999 Lee  
 D413,320 S 8/1999 Kelley et al.  
 D428,415 S 7/2000 Shibata  
 D432,101 S 10/2000 Oba  
 D434,763 S 12/2000 Jobs et al.  
 D446,516 S 8/2001 Tadayon et al.  
 D446,519 S 8/2001 Wu  
 D451,096 S 11/2001 Redmond  
 D453,022 S 1/2002 Oba  
 D456,023 S 4/2002 Andre et al.  
 D461,818 S 8/2002 Goto  
 D464,049 S 10/2002 Goto  
 D476,335 S 6/2003 Miao et al.  
 D482,338 S 11/2003 Kabasawa et al.  
 D486,486 S 2/2004 Jobs et al.  
 D488,139 S 4/2004 Takami et al.  
 D491,901 S 6/2004 Chin et al.  
 D494,971 S 8/2004 Jobs et al.  
 D495,332 S 8/2004 Jobs et al.  
 D496,009 S 9/2004 Takahashi et al.  
 D496,040 S 9/2004 Jobs et al.  
 D499,097 S \* 11/2004 Tsuji et al. .... D14/375  
 D516,557 S \* 3/2006 Noda et al. .... D14/375  
 D529,913 S 10/2006 Chen et al.  
 D531,631 S 11/2006 Andre et al.  
 D532,011 S 11/2006 Andre et al.  
 D541,770 S 5/2007 Lee  
 D541,799 S 5/2007 Andre et al.  
 D545,820 S 7/2007 Won et al.  
 D549,676 S 8/2007 Pelletier  
 D555,120 S 11/2007 Shih et al.  
 D555,666 S 11/2007 Hussaini et al.  
 D558,698 S 1/2008 Chu  
 D565,527 S 4/2008 Riggs  
 D569,864 S 5/2008 Chen

D576,580 S 9/2008 Olivet  
 D576,972 S 9/2008 Niitsu  
 D582,917 S 12/2008 Wada  
 D605,193 S \* 12/2009 Andre et al. .... D14/336  
 D610,138 S \* 2/2010 Andre et al. .... D14/336  
 D610,139 S \* 2/2010 Kamata et al. .... D14/337  
 D618,241 S \* 6/2010 Akana et al. .... D14/374  
 D618,242 S \* 6/2010 Akana et al. .... D14/374  
 D620,932 S \* 8/2010 Andre et al. .... D14/336  
 D621,830 S \* 8/2010 Andre et al. .... D14/336  
 D621,841 S \* 8/2010 Andre et al. .... D14/448  
 D638,013 S 5/2011 Andre et al.  
 D645,861 S \* 9/2011 Chen ..... D14/337  
 D651,602 S \* 1/2012 Andre et al. .... D14/374  
 D658,190 S \* 4/2012 Akana et al. .... D14/448  
 D661,305 S \* 6/2012 Andre et al. .... D14/374  
 D661,311 S \* 6/2012 Akana et al. .... D14/448  
 D684,572 S \* 6/2013 Akana et al. .... D14/374  
 2003/0128503 A1 7/2003 Takahashi

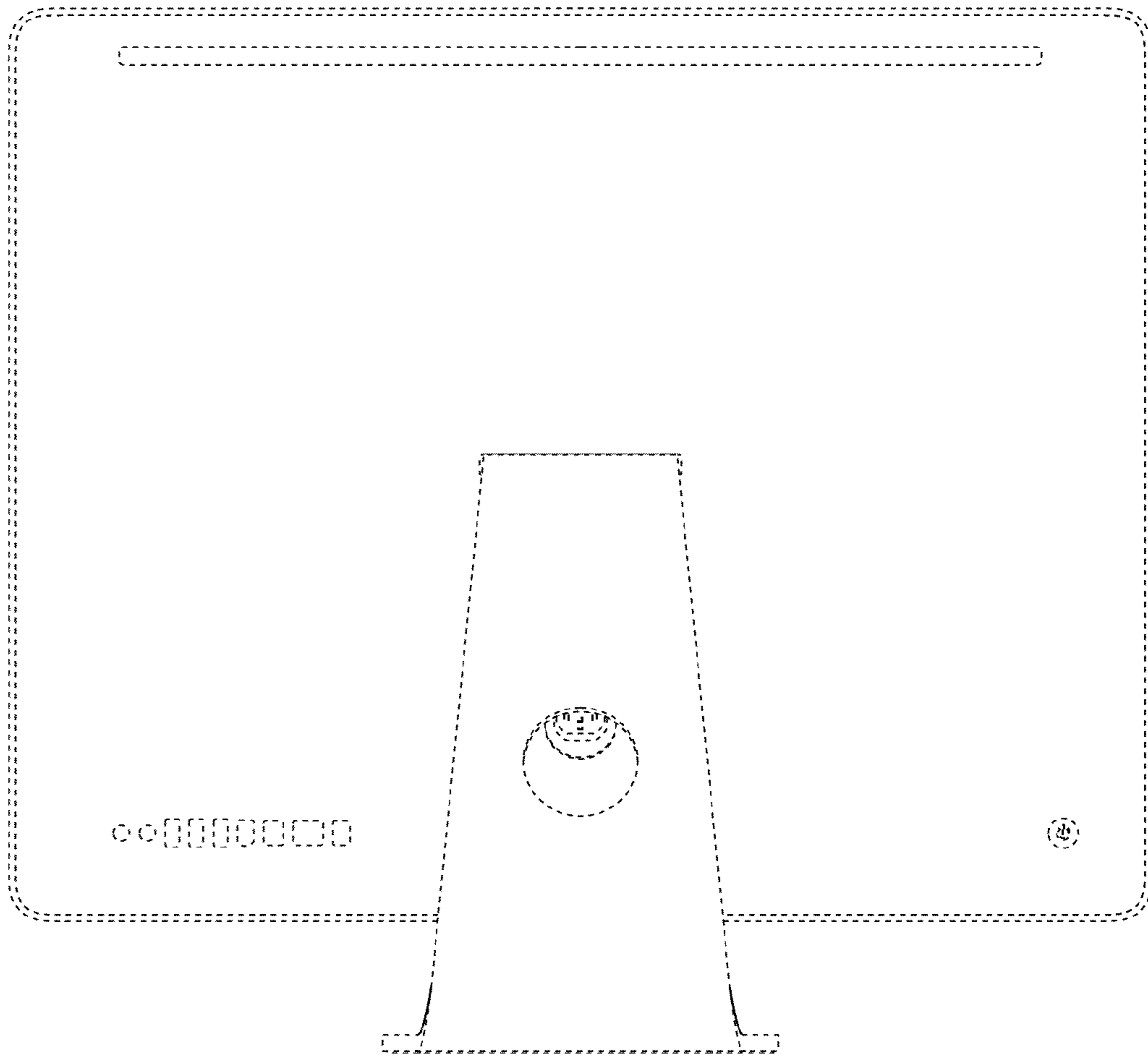
OTHER PUBLICATIONS

Photographs of Mac Mini desktop computer, released Jan. 2005.  
 Photographs of Apple TV streaming media player, released Mar. 2007.  
 Dell, Dell Introduces 19-Inch Flat Panel Monitor, www.dell.com, Feb. 26, 2002.  
 Dell, Front View: Dell 1900FP Flat Panel Color Monitor User's Guide, <http://support.dell.com>, available at least as early as Feb. 26, 2002.  
 Appendix in U.S. Appl. No. 29/201,636 entitled "Electronic Device" filed Mar. 17, 2004, now USPN D504,889.  
 Macworld, Apr. 2006, cover, pp. 51 and 64-70.  
 Macworld, Jun. 2007, cover.  
 U.S. Appl. No. 29/390,419 entitled "Monitor" filed Apr. 24, 2011.  
 U.S. Appl. No. 29/390,850 entitled "Electronic Device" filed Apr. 29, 2011.  
 U.S. Appl. No. 29/408,029 entitled "Monitor" filed Dec. 6, 2011.

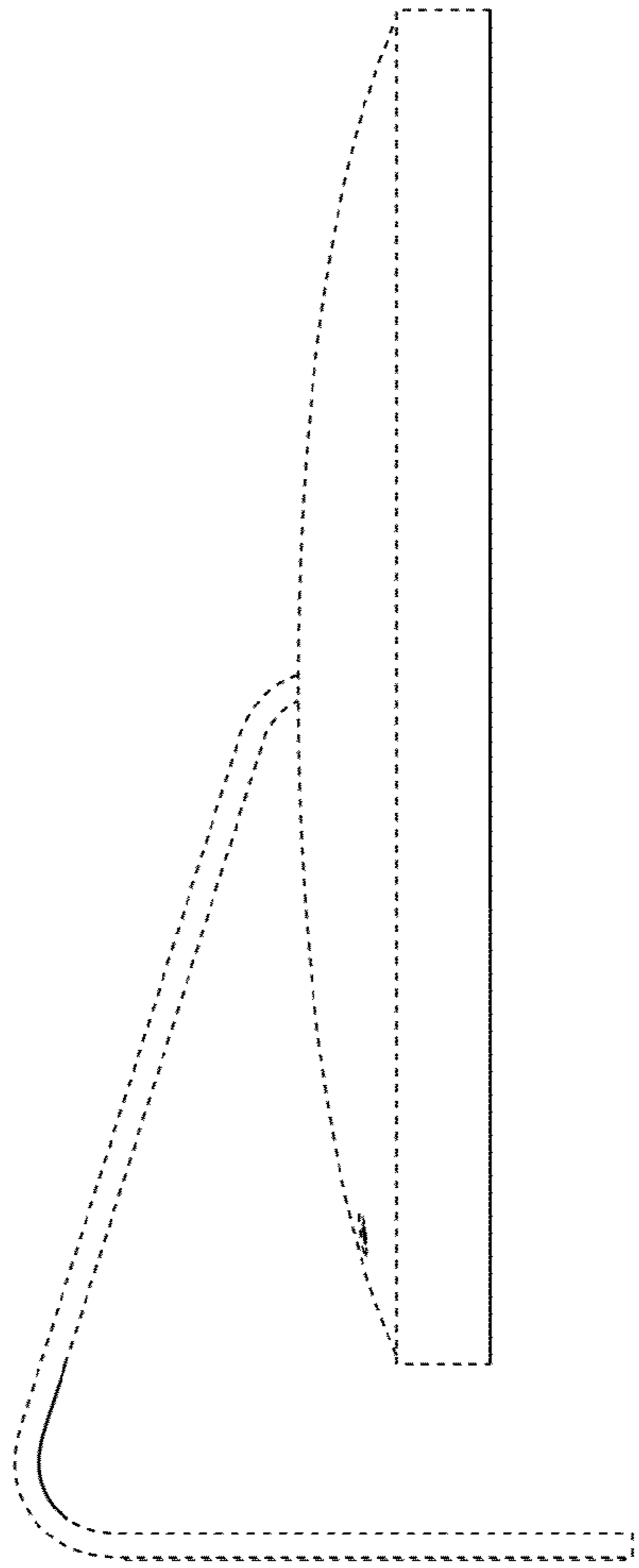
\* cited by examiner



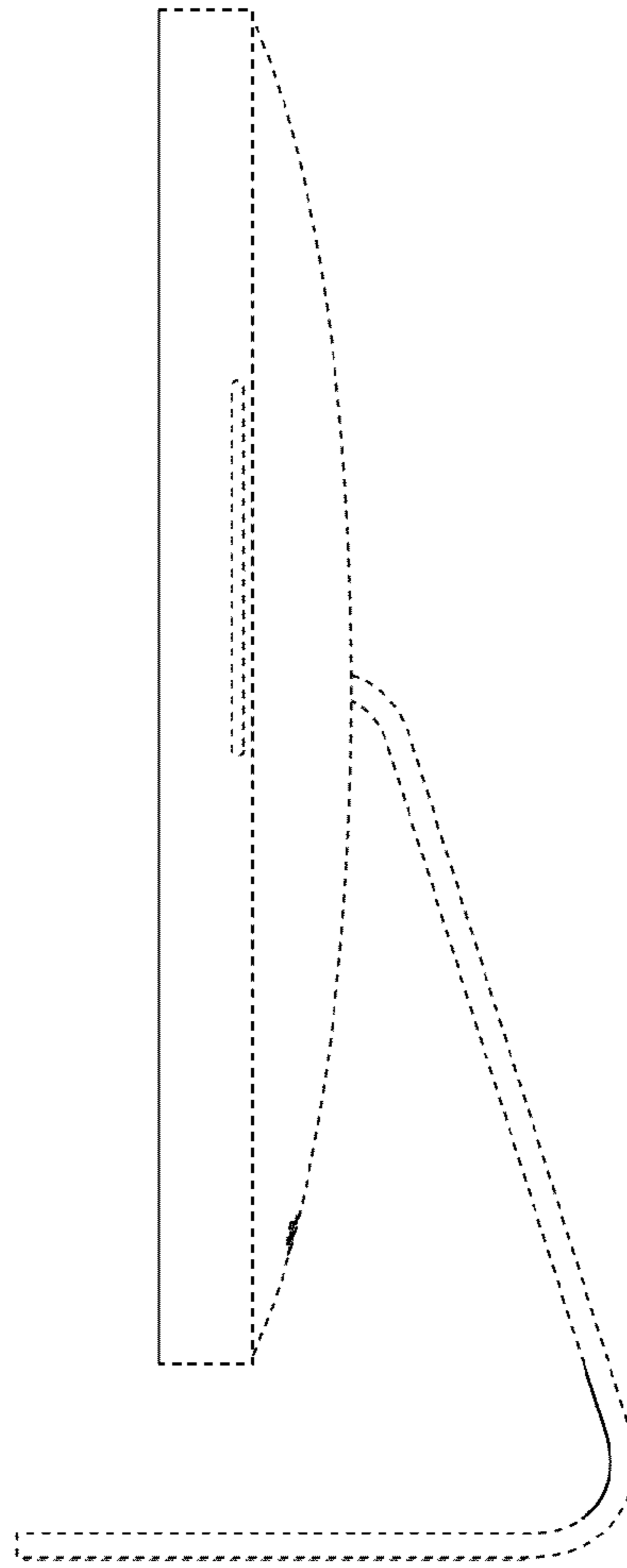
**Fig. 1**



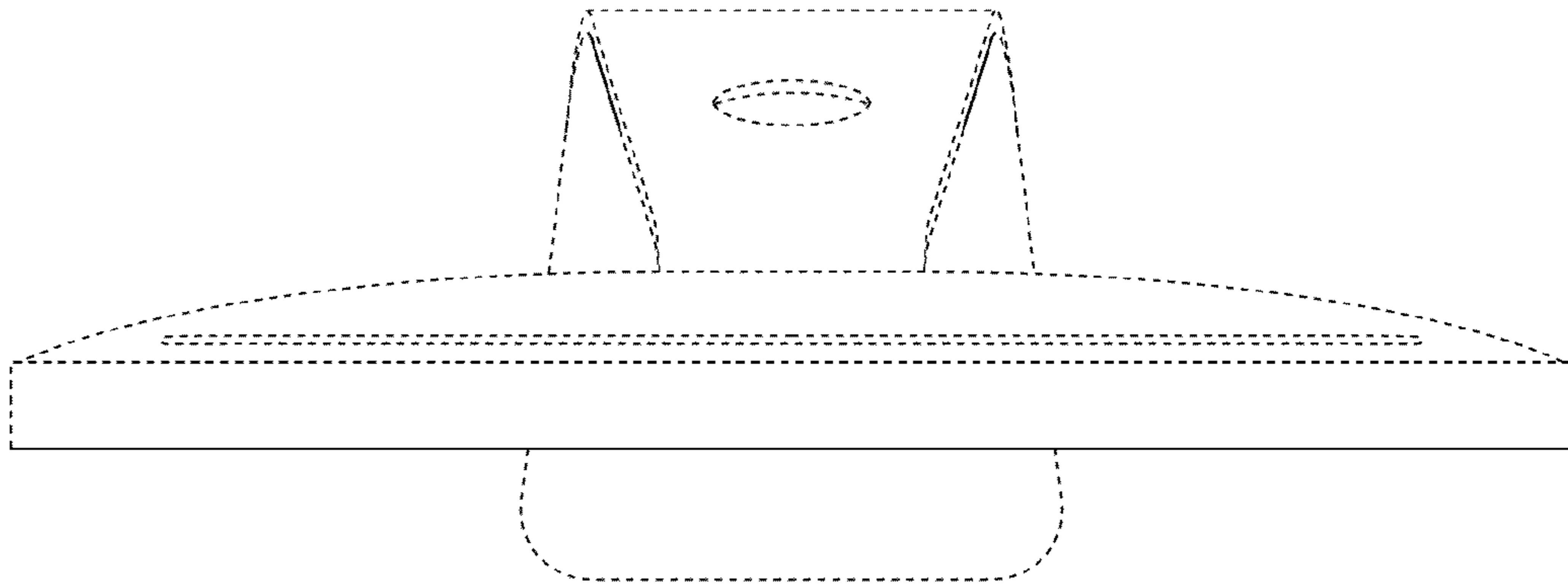
**Fig. 2**



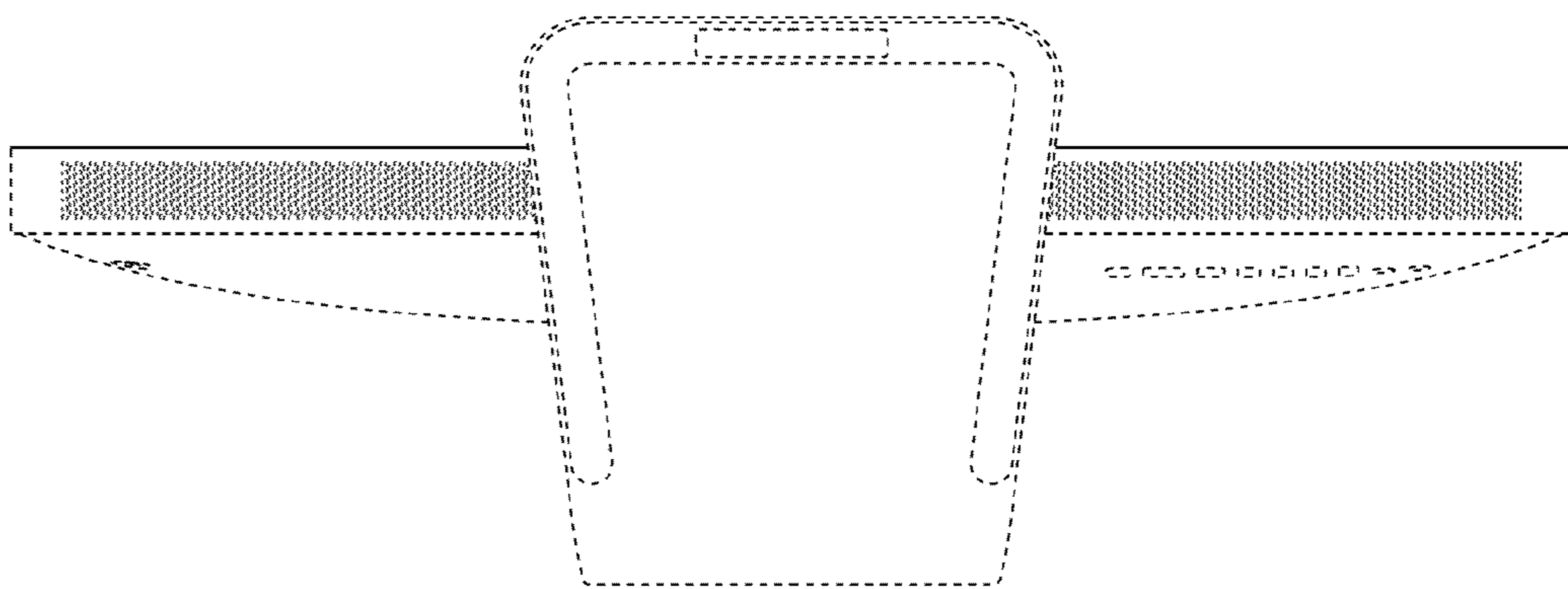
**Fig. 3**



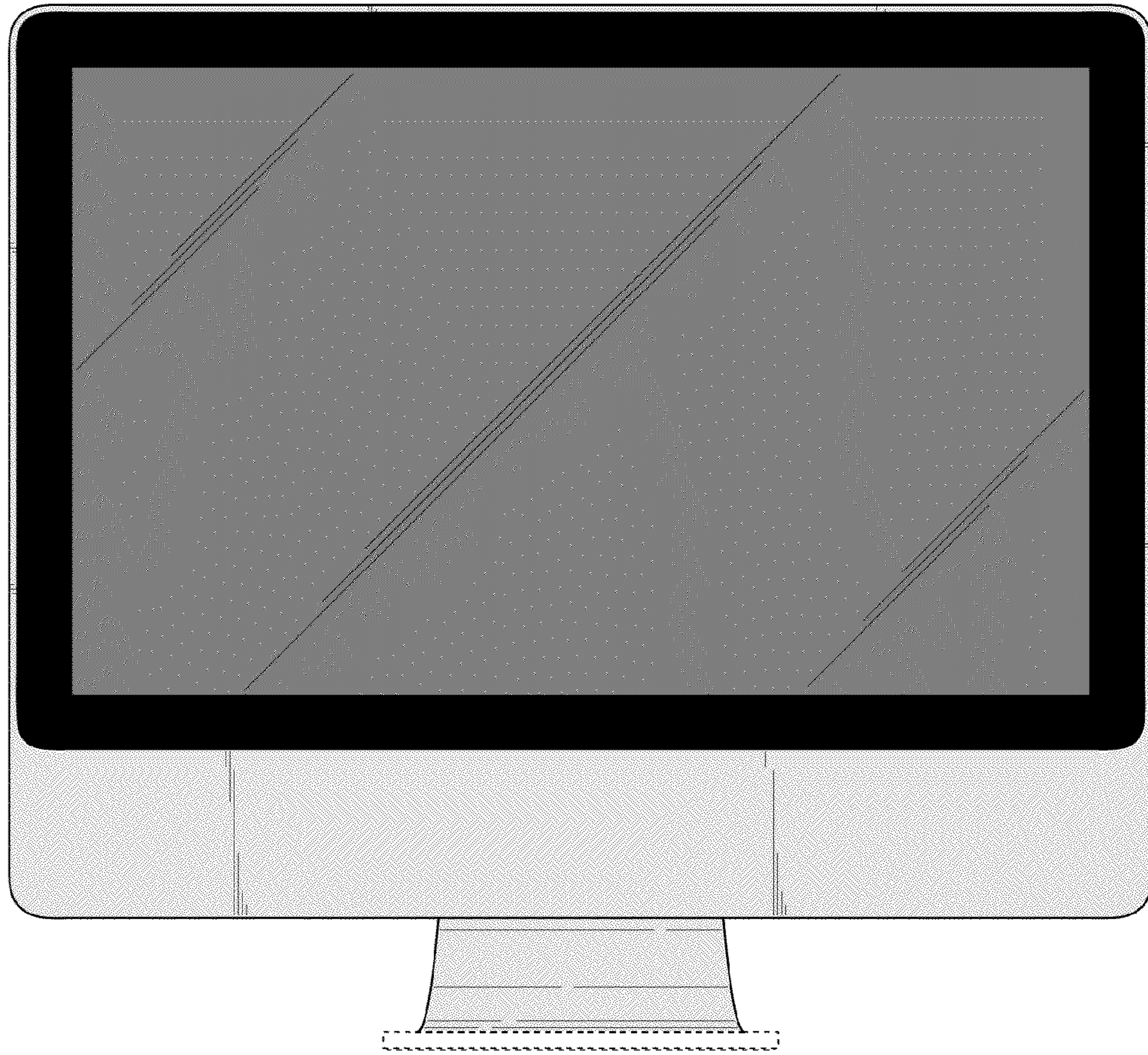
**Fig. 4**



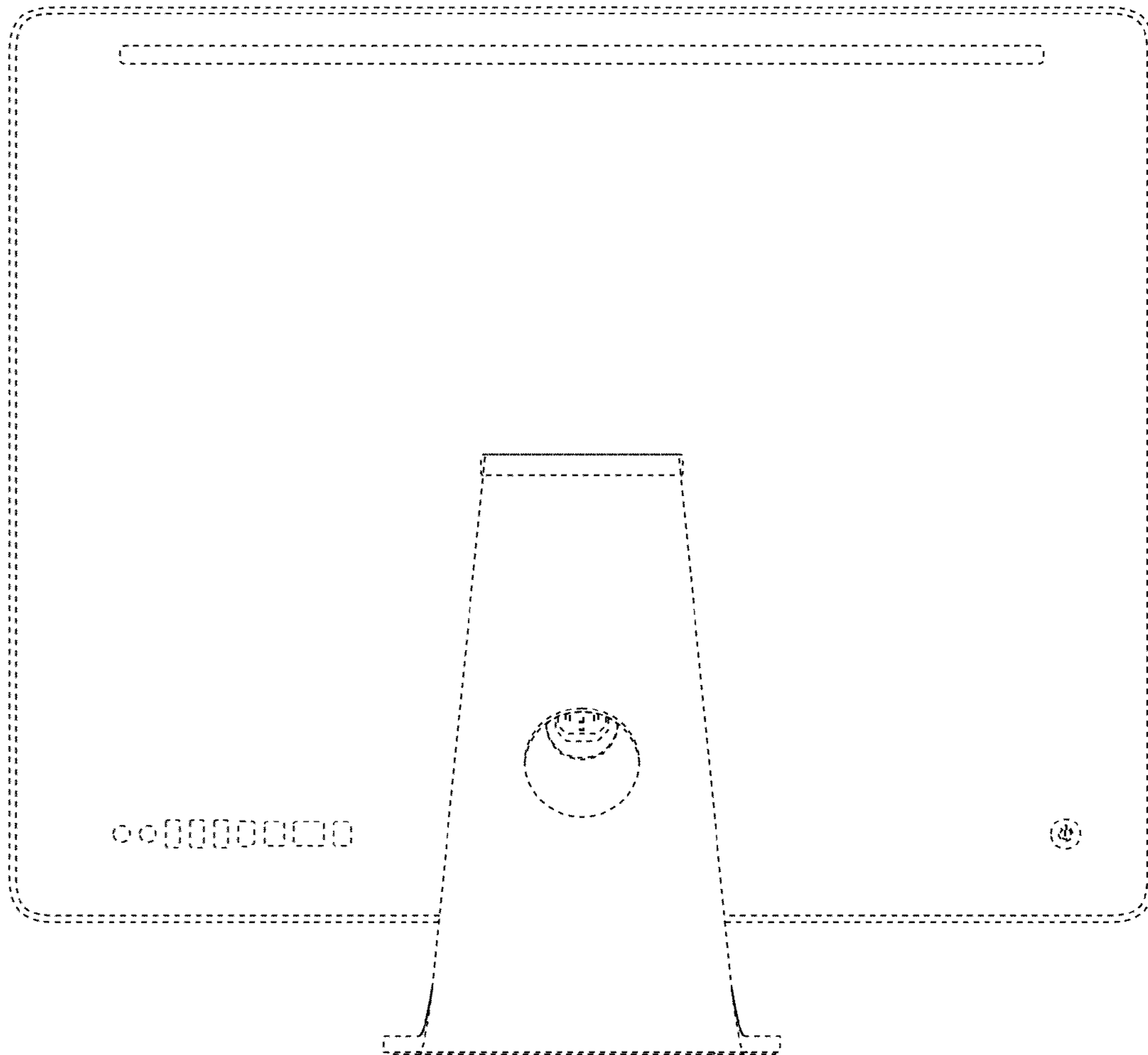
**Fig. 5**



**Fig. 6**

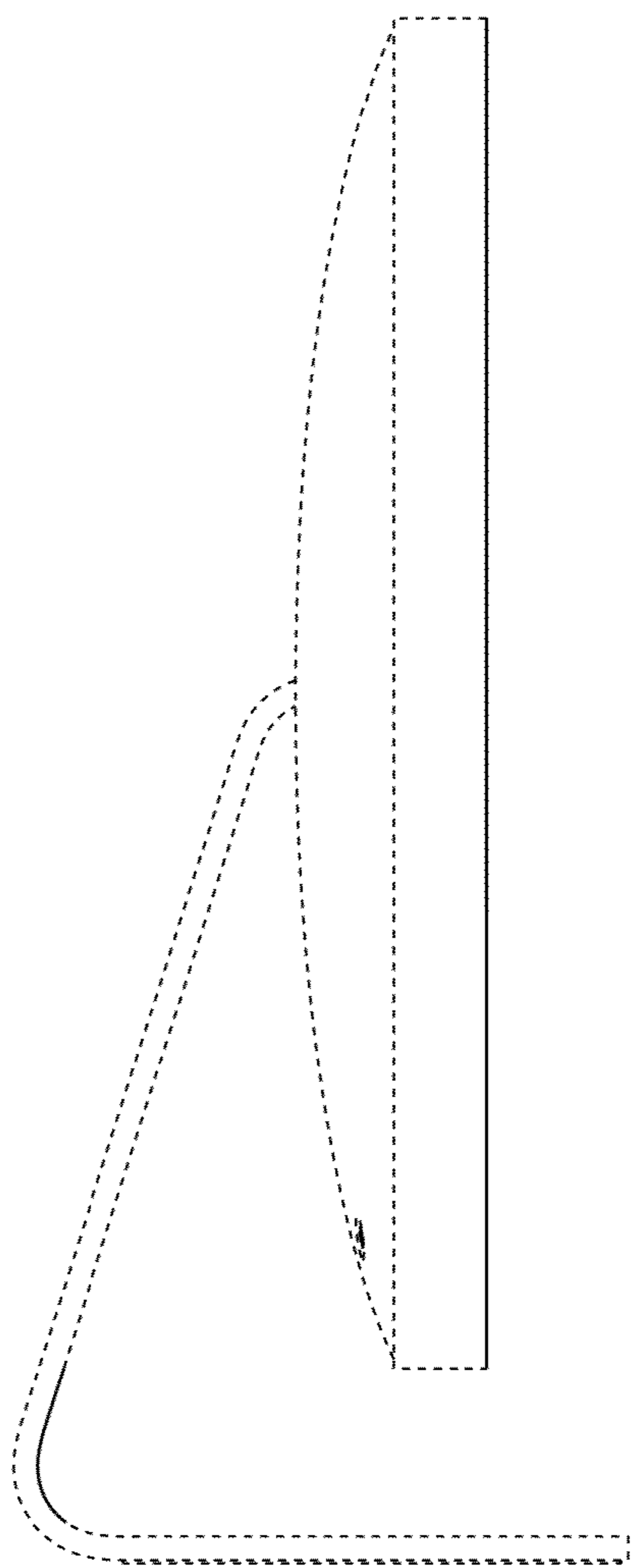


***Fig. 7***

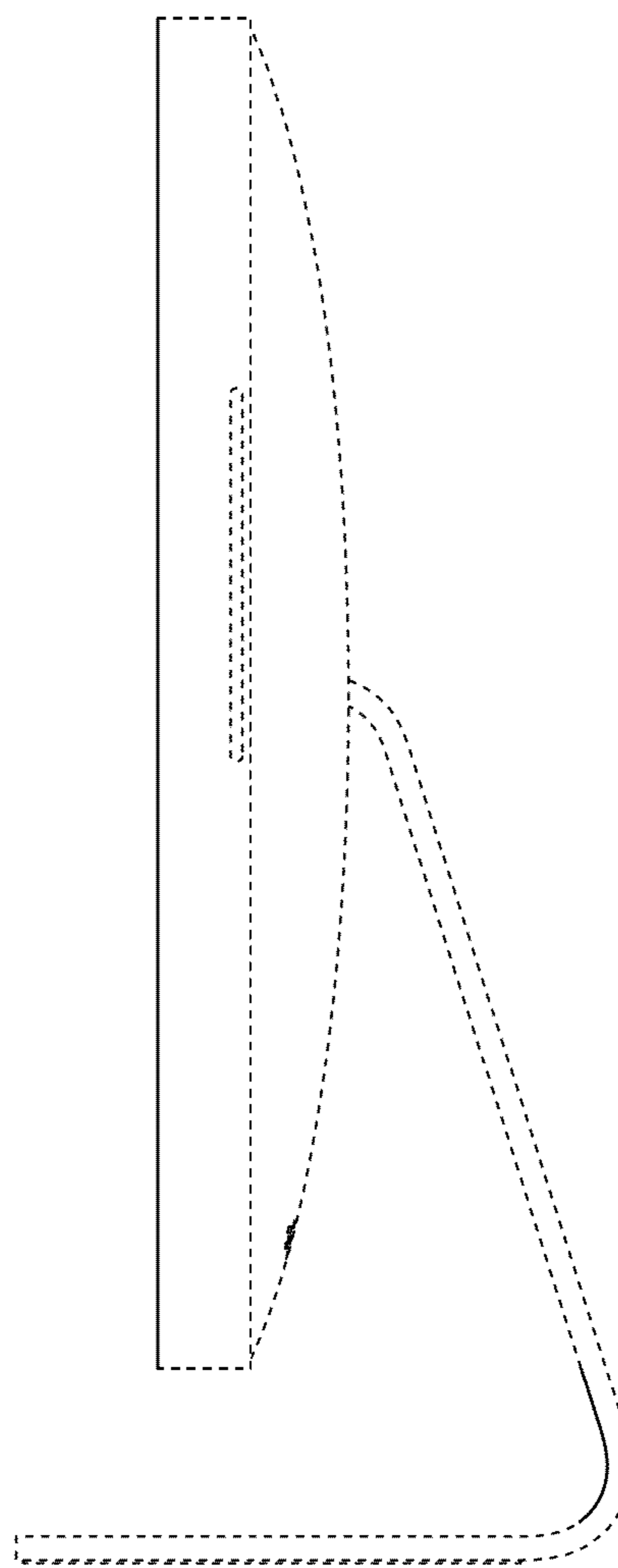


**Fig. 8**

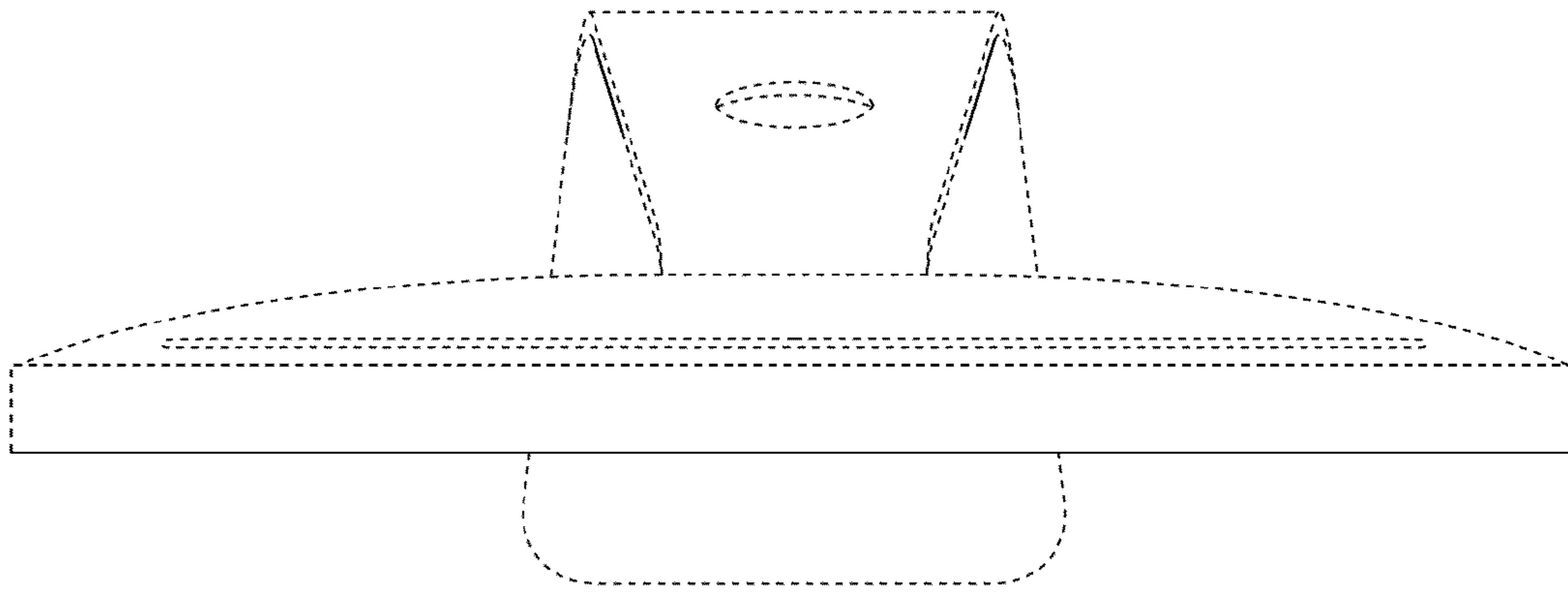




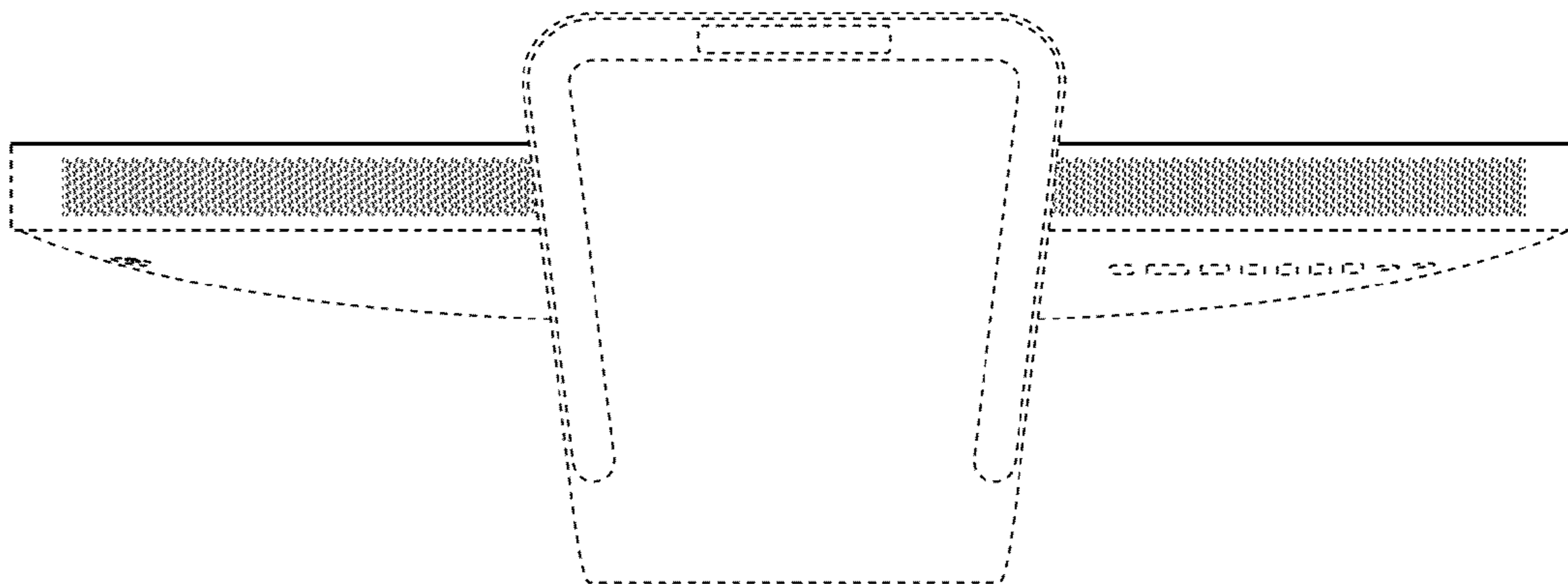
**Fig. 9**



**Fig. 10**



**Fig. 11**



**Fig. 12**