



US00D694248S

(12) **United States Design Patent**  
**Van Natta**

(10) **Patent No.:** **US D694,248 S**

(45) **Date of Patent:** **\*\* Nov. 26, 2013**

(54) **STAND FOR TABLET COMPUTERS AND  
E-READERS**

(75) Inventor: **Guy Monroe Van Natta**, Clovis, CA  
(US)

(73) Assignee: **Guy Monroe Van Natta**, Clovis, CA  
(US)

(\*\*) Term: **14 Years**

(21) Appl. No.: **29/389,018**

(22) Filed: **Apr. 6, 2011**

(51) **LOC (9) Cl.** ..... **08-07**

(52) **U.S. Cl.**  
USPC ..... **D14/447**

(58) **Field of Classification Search**  
USPC ..... D14/447, 448, 451, 452, 432, 434, 439,  
D14/440, 457, 460, 461, 239, 250, 251, 253,  
D14/217, 238.1; D3/218; D6/310, 312, 311,  
D6/406.3, 406.4, 406.5, 406.6, 419;  
248/917-924, 688, 441.1, 451, 454,  
248/460, 463, 136, 149, 150, 164, 166,  
248/176.2, 176.3, 176.1, 346.03, 346.3;  
361/679.02, 679.09, 679.21, 679.22,  
361/379.26, 679.27, 679.28, 679.29, 679.3,  
361/679.46, 679.47, 679.48, 679.55,  
361/679.56, 679.57, 679.58, 679.59, 679.6;  
150/165; 224/929, 930

See application file for complete search history.

(56) **References Cited**

U.S. PATENT DOCUMENTS

D278,918	S	*	5/1985	Morcheles	.....	D19/52
D279,185	S	*	6/1985	Felix et al.	.....	D14/251
D291,204	S	*	8/1987	Hampshire et al.	.....	D14/451
D517,328	S	*	3/2006	Thrall	.....	D6/300
7,035,100	B2	*	4/2006	Lord	.....	361/679.41
D533,558	S	*	12/2006	Elkhuizen et al.	.....	D14/447
D557,698	S	*	12/2007	Lye	.....	D14/447
D559,850	S	*	1/2008	Lye	.....	D14/447
7,487,940	B2	*	2/2009	Saez et al.	.....	248/176.1
D639,286	S	*	6/2011	Mohoney	.....	D14/250
8,056,871	B2	*	11/2011	Matias	.....	248/176.1
2004/0007649	A1	*	1/2004	Vettraino	.....	248/127
2006/0186303	A1	*	8/2006	Phifer et al.	.....	248/454

\* cited by examiner

*Primary Examiner* — Angela J Lee

(74) *Attorney, Agent, or Firm* — Monica Van Natta

(57) **CLAIM**

The ornamental design for a stand for tablet computers and e-readers, as shown and described.

**DESCRIPTION**

FIG. 1 is a front elevation view of a stand for tablet computers and e-readers;

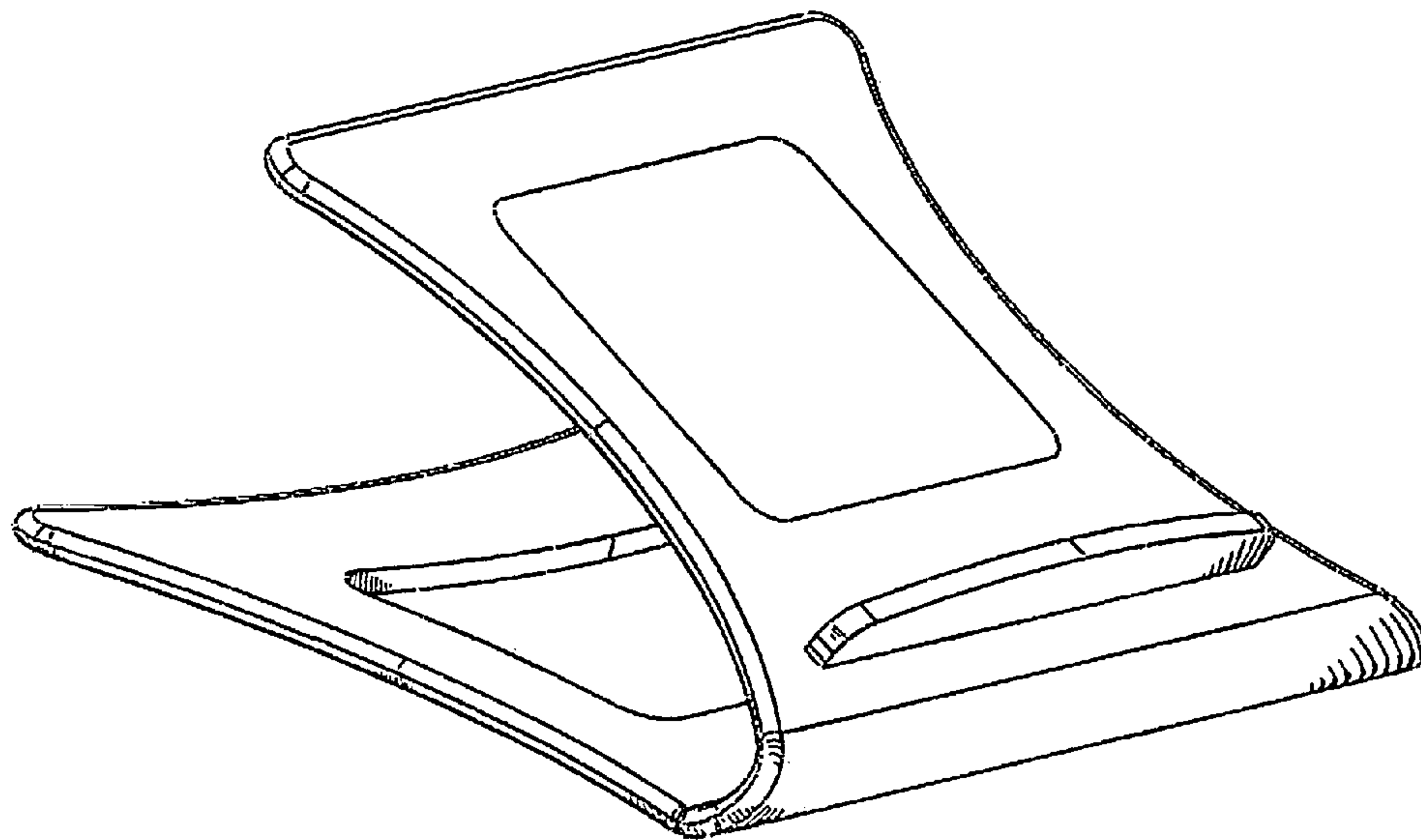
FIG. 2 is a perspective view thereof;

FIG. 3 is another perspective view thereof;

FIG. 4 is a right side view thereof; and,

FIG. 5 is a bottom view thereof.

**1 Claim, 5 Drawing Sheets**



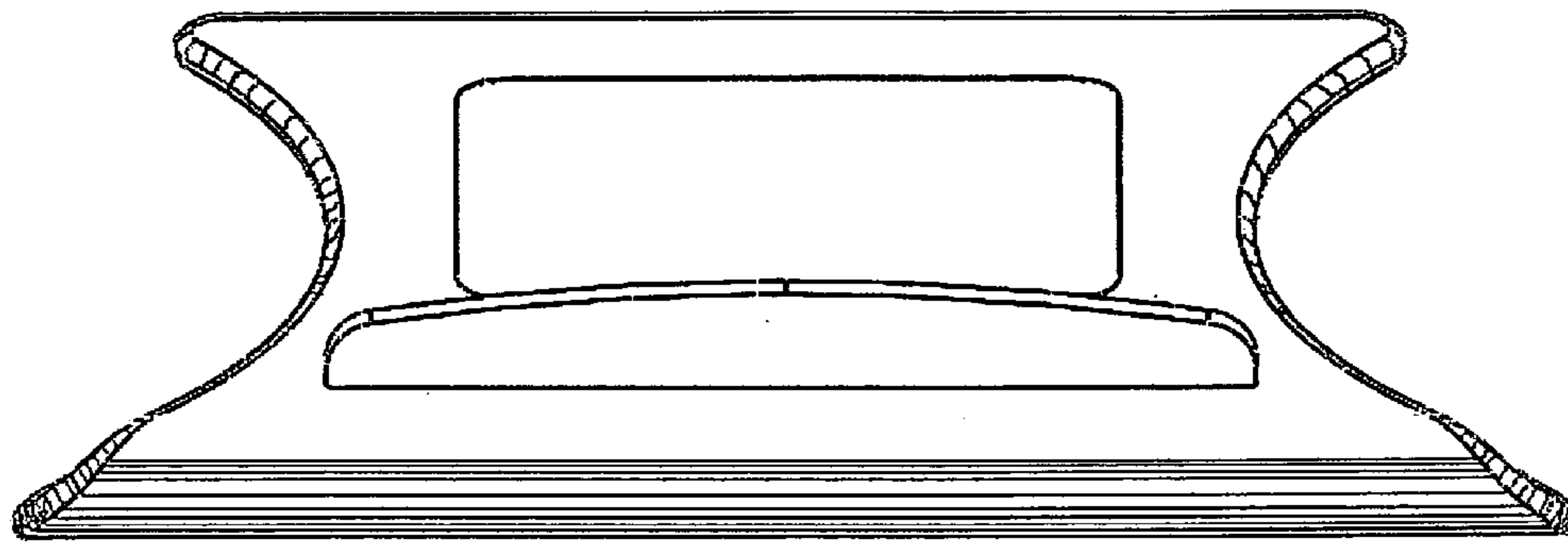


FIG. 1

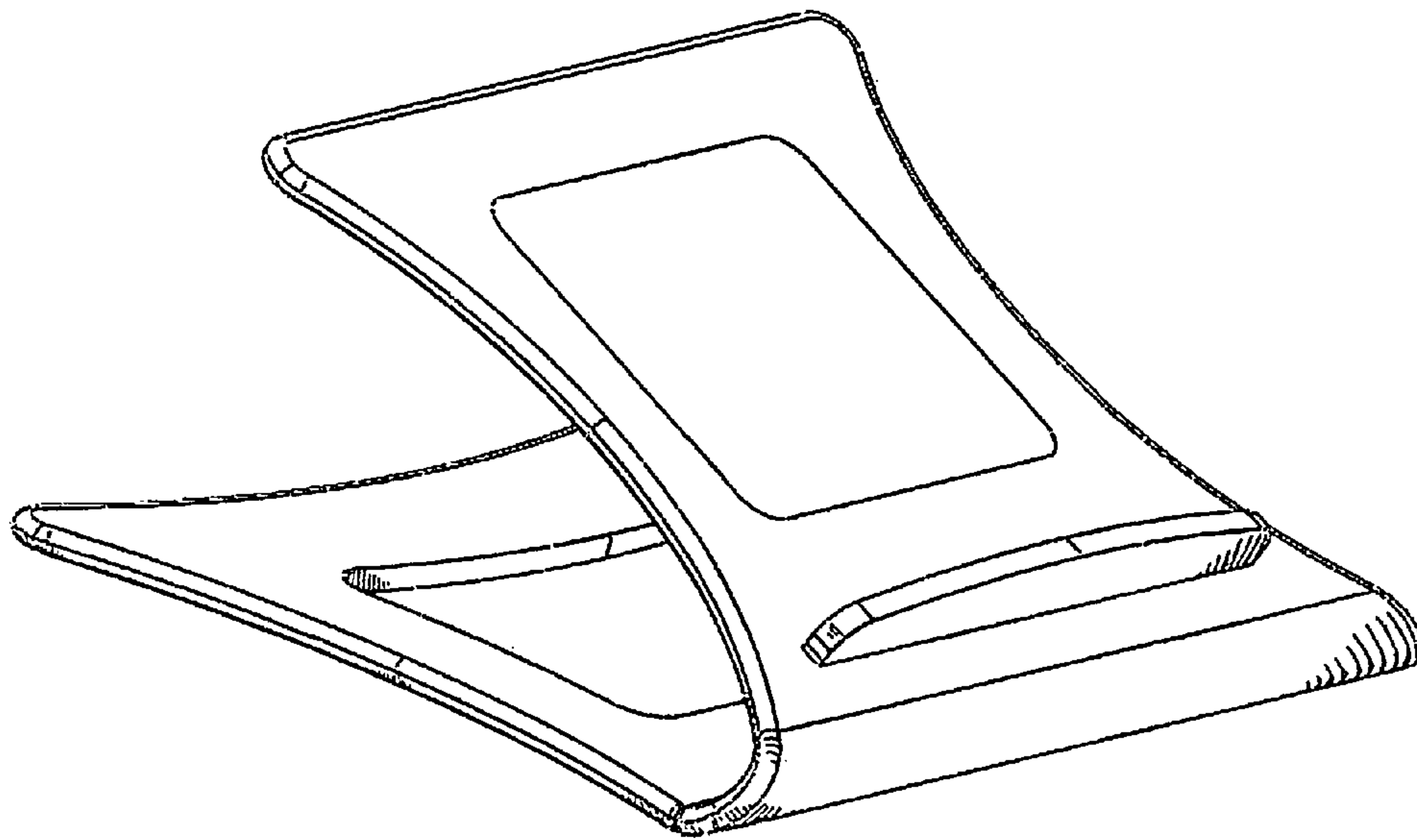


FIG. 2

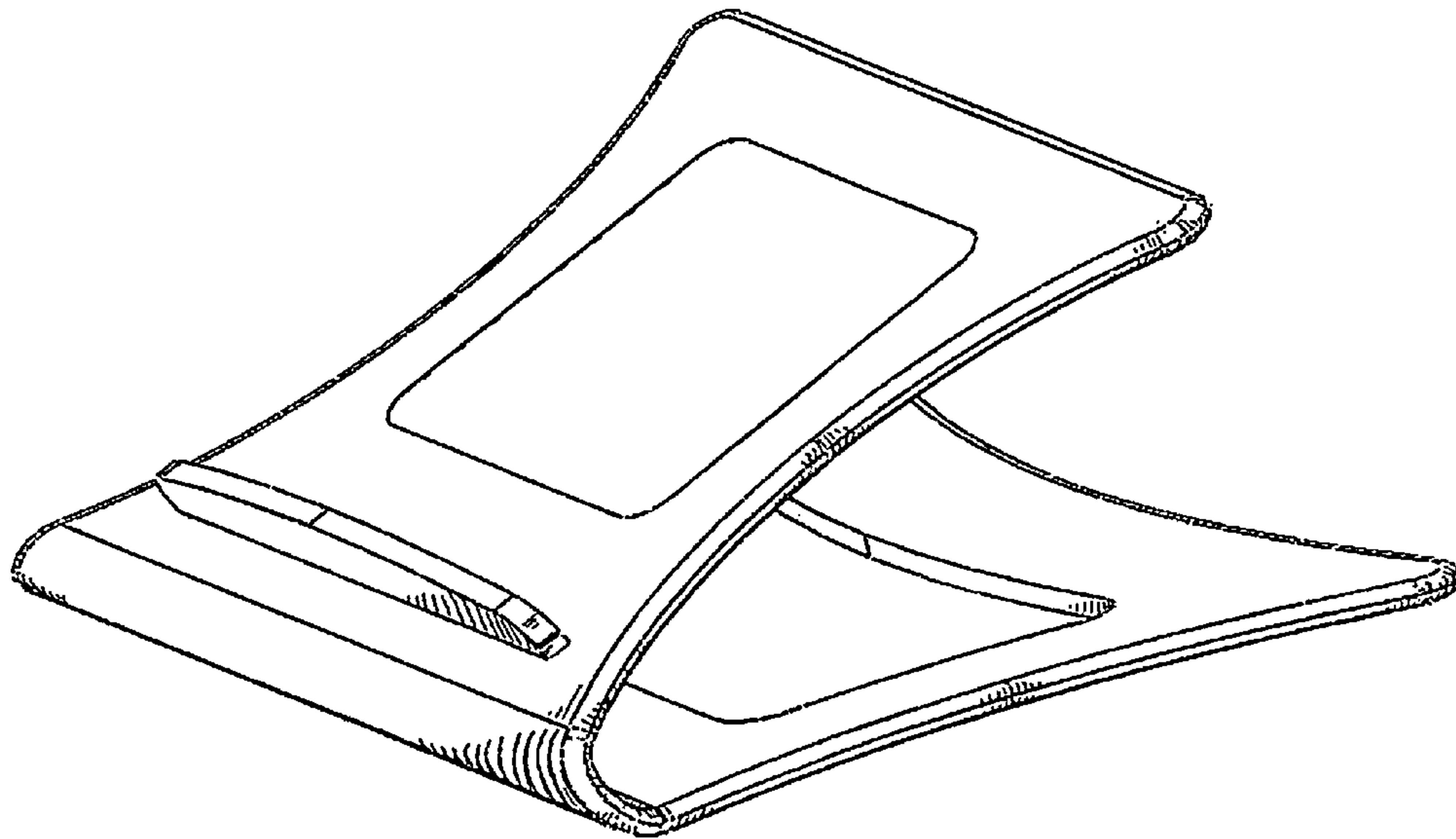


FIG. 3

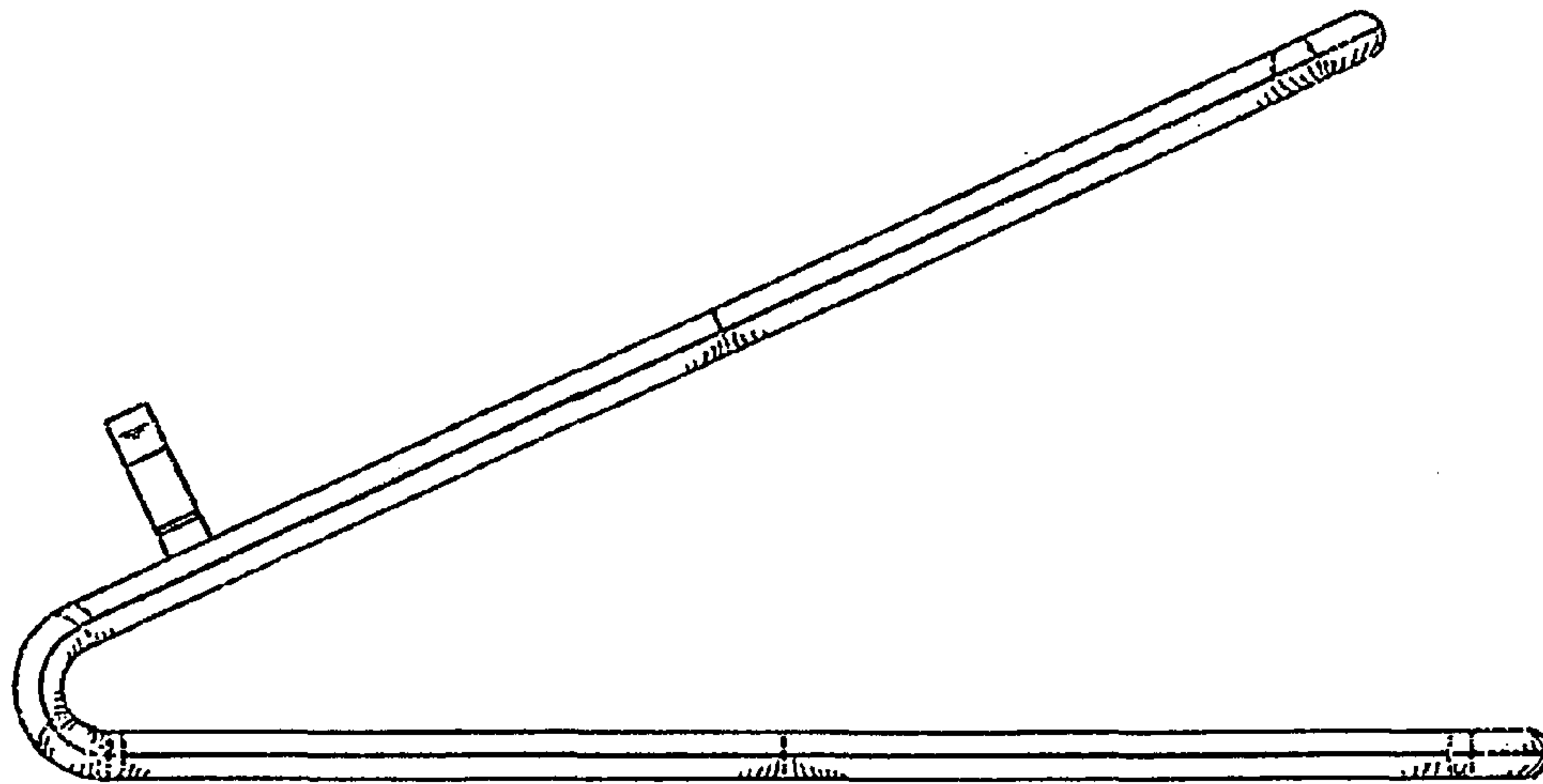


FIG. 4

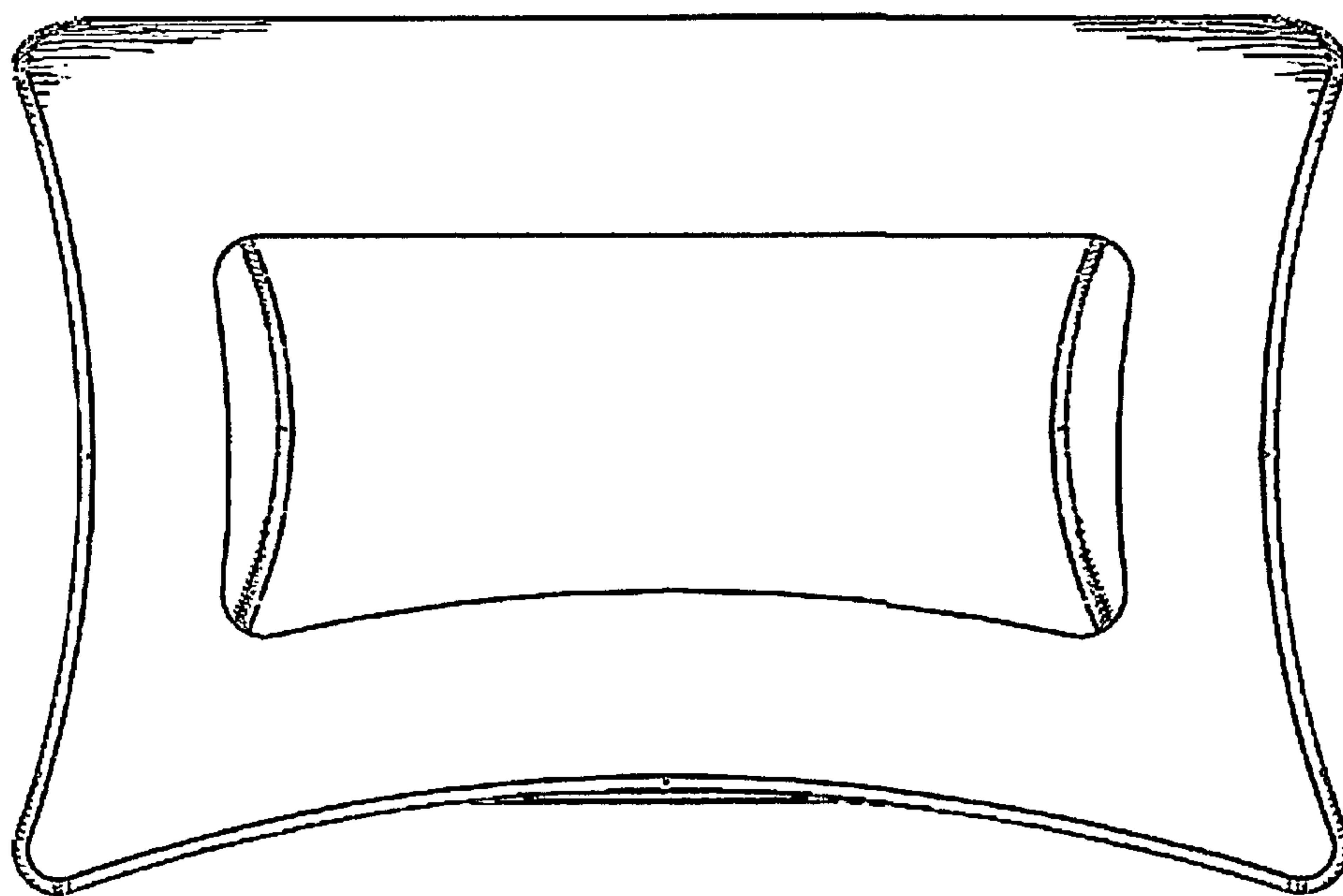


FIG. 5