



US00D694246S

(12) **United States Design Patent**  
**Park et al.**

(10) **Patent No.:** **US D694,246 S**  
(45) **Date of Patent:** **\*\* Nov. 26, 2013**

(54) **CASE FOR PORTABLE COMPUTER**

(71) Applicant: **Samsung Electronics Co., Ltd.**,  
Suwon-Si (KR)

(72) Inventors: **Ji-Sang Park**, Kyunggi-do (KR);  
**Yeo-Wan Yun**, Kyunggi-do (KR)

(73) Assignee: **Samsung Electronics Co., Ltd.**,  
Suwon-Si (KR)

(\*\*) Term: **14 Years**

(21) Appl. No.: **29/452,599**

(22) Filed: **Apr. 18, 2013**

(30) **Foreign Application Priority Data**

Nov. 5, 2012 (KR) ..... 30-2012-0052679

(51) **LOC (9) Cl.** ..... **14-02**

(52) **U.S. Cl.**  
USPC ..... **D14/440**

(58) **Field of Classification Search**  
USPC ..... D14/250, 251, 253, 240, 217, 496, 440,  
D14/203.3, 203.4, 203.5, 203.8, 341, 318;  
D3/215, 218, 201, 294, 289, 900;  
220/4.02; 248/309.1; 361/679.56;  
397/426, 433.11, 455; 455/575.1,  
455/575.8; 190/100; 206/305, 320;  
D21/469

See application file for complete search history.

(56) **References Cited**

**U.S. PATENT DOCUMENTS**

681,976 A \* 9/1901 Rathvon ..... 248/456  
1,370,279 A \* 3/1921 Burzynski ..... 211/43  
2,354,782 A \* 8/1944 Stradling et al. .... 281/16  
2,726,835 A \* 12/1955 Hummel ..... 248/459  
D230,376 S \* 2/1974 Andrew ..... D19/91  
4,318,527 A \* 3/1982 Smith ..... 248/459  
4,703,160 A \* 10/1987 Narishima et al. .... 235/1 D

4,718,550 A \* 1/1988 Johnson ..... 206/387.13  
D363,511 S \* 10/1995 Hui ..... D21/329  
D466,356 S \* 12/2002 Marsilio ..... D6/632  
6,493,969 B2 \* 12/2002 Devos ..... 40/120  
D469,438 S \* 1/2003 Corrales ..... D14/432  
D471,008 S \* 3/2003 Dubone ..... D3/247  
D478,623 S \* 8/2003 Wilburn ..... D19/26  
6,646,672 B2 \* 11/2003 Feierbach ..... 348/14.02  
D498,753 S \* 11/2004 Yamada ..... D14/328  
D532,822 S \* 11/2006 White et al. .... D19/52  
D546,878 S \* 7/2007 Bharma ..... D19/26  
7,318,521 B2 \* 1/2008 Lau ..... 206/45.24  
D581,865 S \* 12/2008 Koza ..... D13/102  
D584,314 S \* 1/2009 Davis et al. .... D14/440  
D594,004 S \* 6/2009 Takemasa ..... D14/341  
7,542,052 B2 \* 6/2009 Solomon et al. .... 345/659  
D609,226 S \* 2/2010 Hofer et al. .... D14/248  
D626,123 S \* 10/2010 Peng ..... D14/324  
8,016,107 B2 \* 9/2011 Emsky ..... 206/320

(Continued)

*Primary Examiner* — Cynthia Underwood

(74) *Attorney, Agent, or Firm* — Wood, Herron & Evans,  
LLP

(57) **CLAIM**

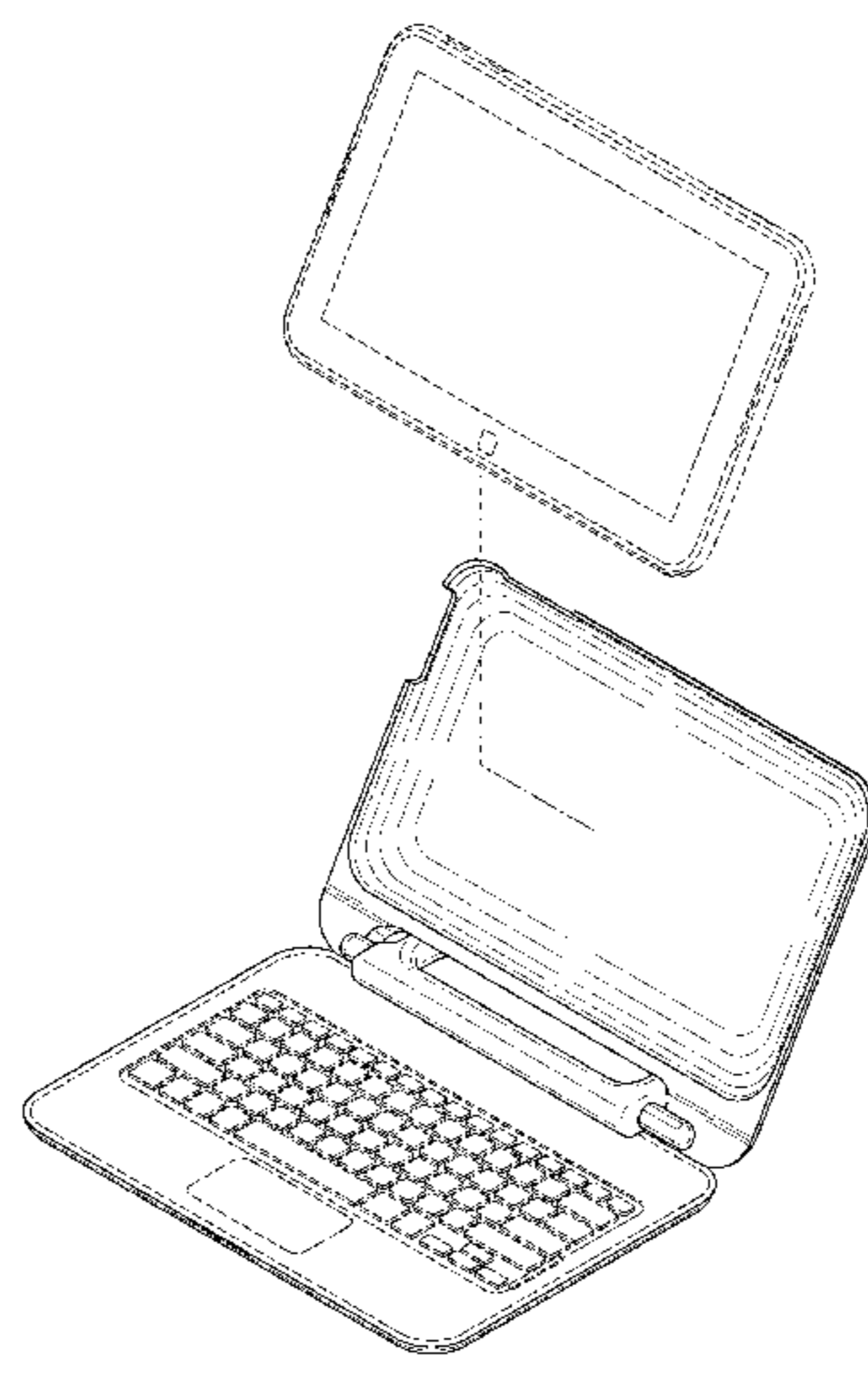
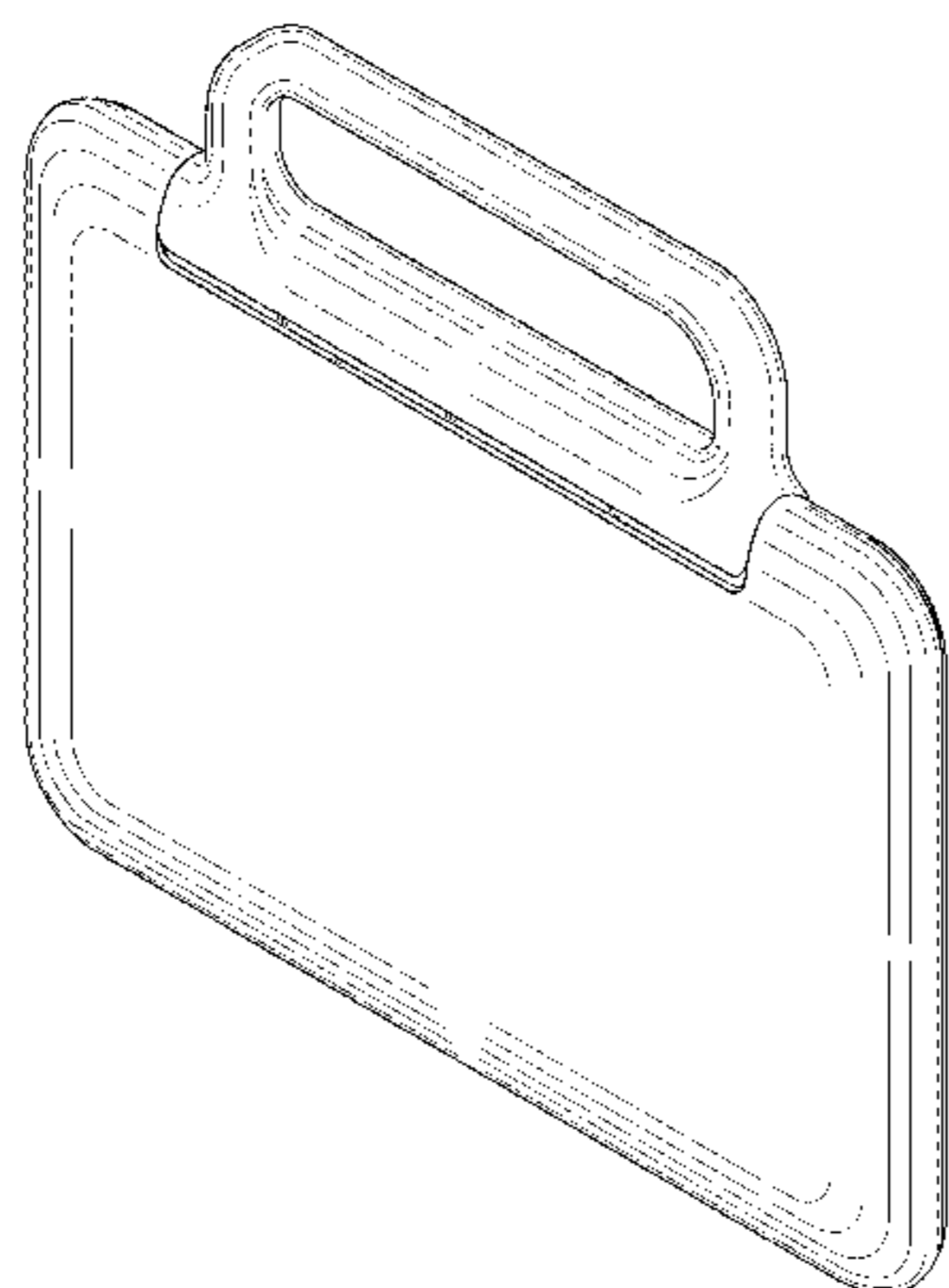
The ornamental design for a case for portable computer, as  
shown and described.

**DESCRIPTION**

FIG. 1 is a top front perspective view of a case for portable  
computer showing our new design;  
FIG. 2 is a front elevational view thereof;  
FIG. 3 is a rear elevational view thereof;  
FIG. 4 is a left side elevational view thereof;  
FIG. 5 is a right side elevational view thereof;  
FIG. 6 is a top plan view thereof;  
FIG. 7 is a bottom plan view thereof; and,  
FIG. 8 is a top front perspective view thereof shown in an  
open configuration and in connection with a portable com-  
puter.

The broken lines depict environmental subject matter only  
and form no part of the claimed design.

**1 Claim, 6 Drawing Sheets**



(56)

**References Cited**

U.S. PATENT DOCUMENTS

D646,266 S *	10/2011	Kim et al. ....	D14/250	8,235,208 B2 *	8/2012	Sirichai et al. ....	206/320
D648,529 S *	11/2011	Brown .....	D3/269	8,245,843 B1 *	8/2012	Wu .....	206/320
D654,069 S *	2/2012	Kwon et al. ....	D14/250	D669,480 S *	10/2012	Piedra et al. ....	D14/440
8,132,670 B1 *	3/2012	Chen .....	206/320	D672,781 S *	12/2012	Lu .....	D14/440
D659,139 S *	5/2012	Gengler .....	D14/392	D673,158 S *	12/2012	Yang et al. ....	D14/440
D662,100 S *	6/2012	Van Den Nieuwenhuizen et al. ....	D14/440	D674,801 S *	1/2013	Wharram .....	D14/440
D662,503 S *	6/2012	Akana et al. ....	D14/439	D679,279 S *	4/2013	Yang et al. ....	D14/440
D663,304 S *	7/2012	Akana et al. ....	D14/440	2009/0194209 A1 *	8/2009	De Filippis et al. ....	150/107
8,230,992 B2 *	7/2012	Law et al. ....	206/320	2010/0289390 A1 *	11/2010	Kenney .....	312/223.1
D665,809 S *	8/2012	Wang et al. ....	D14/439	2012/0043231 A1 *	2/2012	Perrier et al. ....	206/216
				2012/0170212 A1 *	7/2012	Gallouzi et al. ....	361/679.56
				2012/0194448 A1 *	8/2012	Rothkopf .....	345/173
				2012/0212896 A1 *	8/2012	Schulz .....	361/679.02

\* cited by examiner

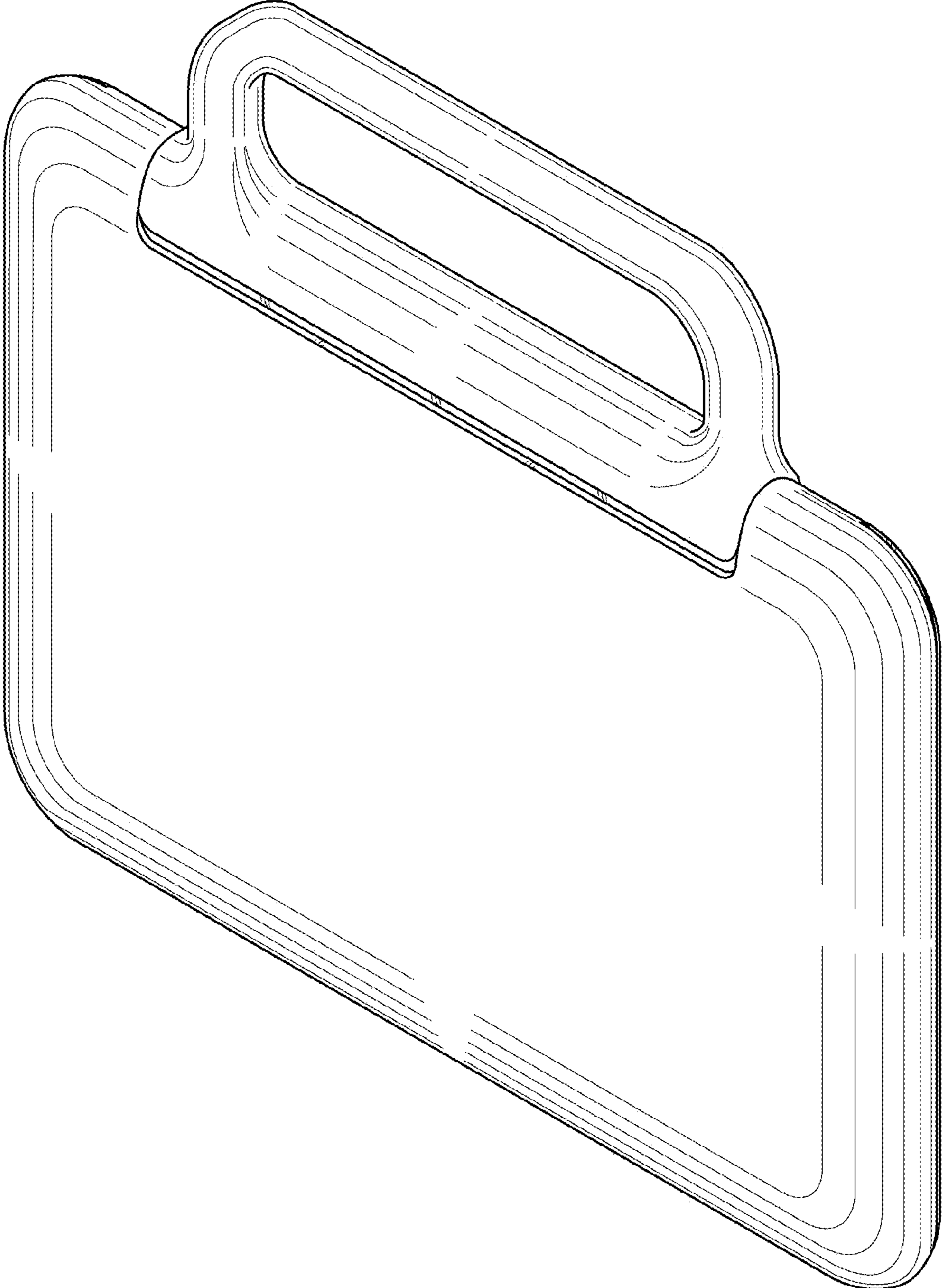


FIG.1

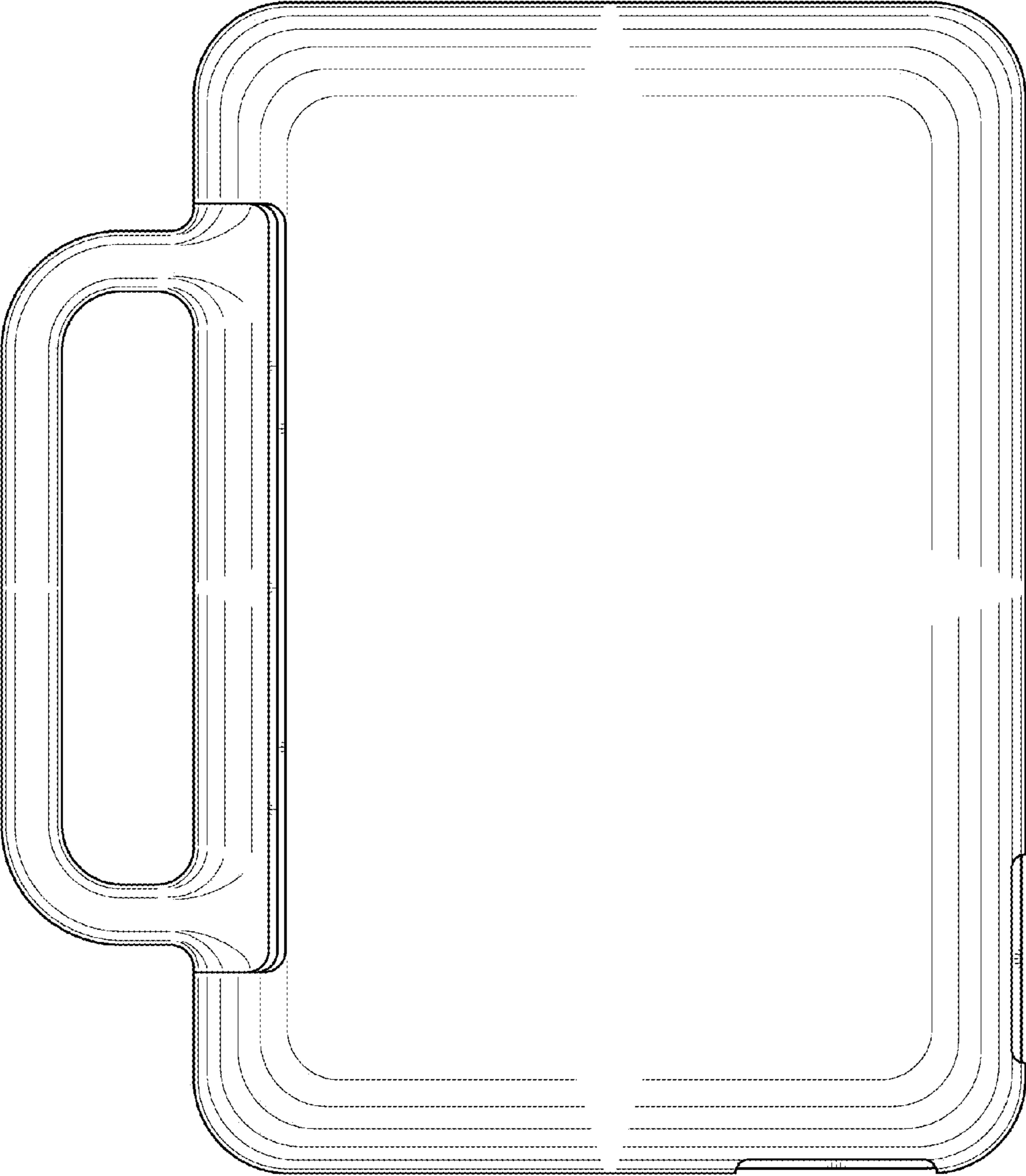


FIG.2

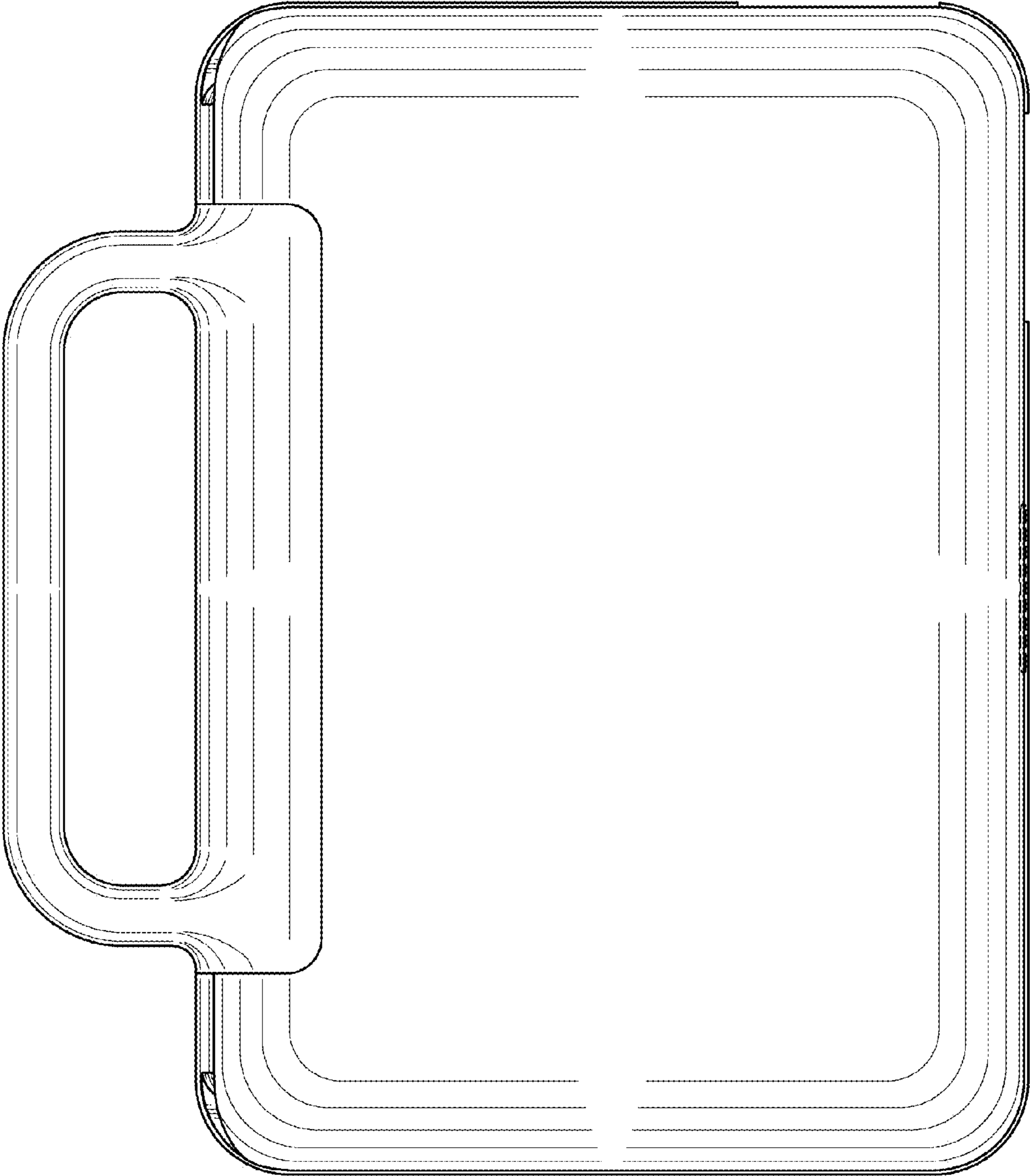


FIG.3

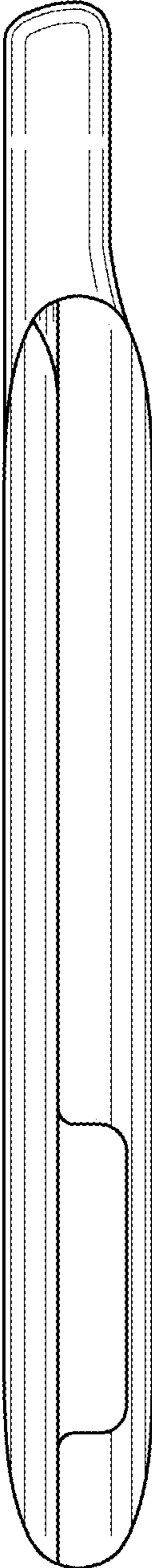


FIG. 4

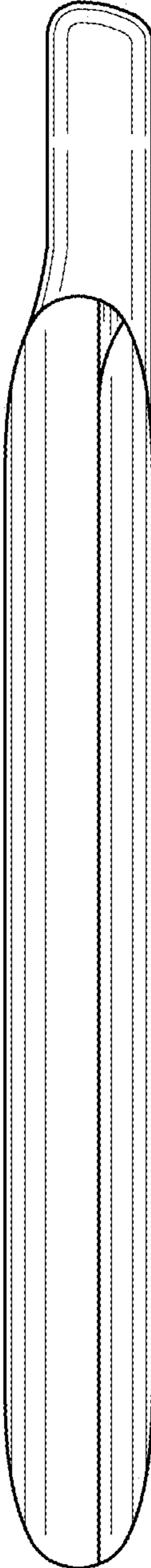


FIG. 5



FIG. 6

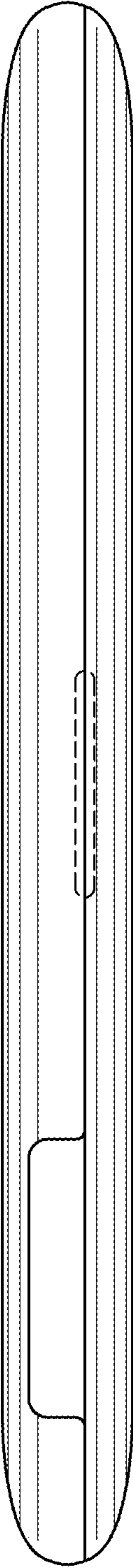


FIG. 7

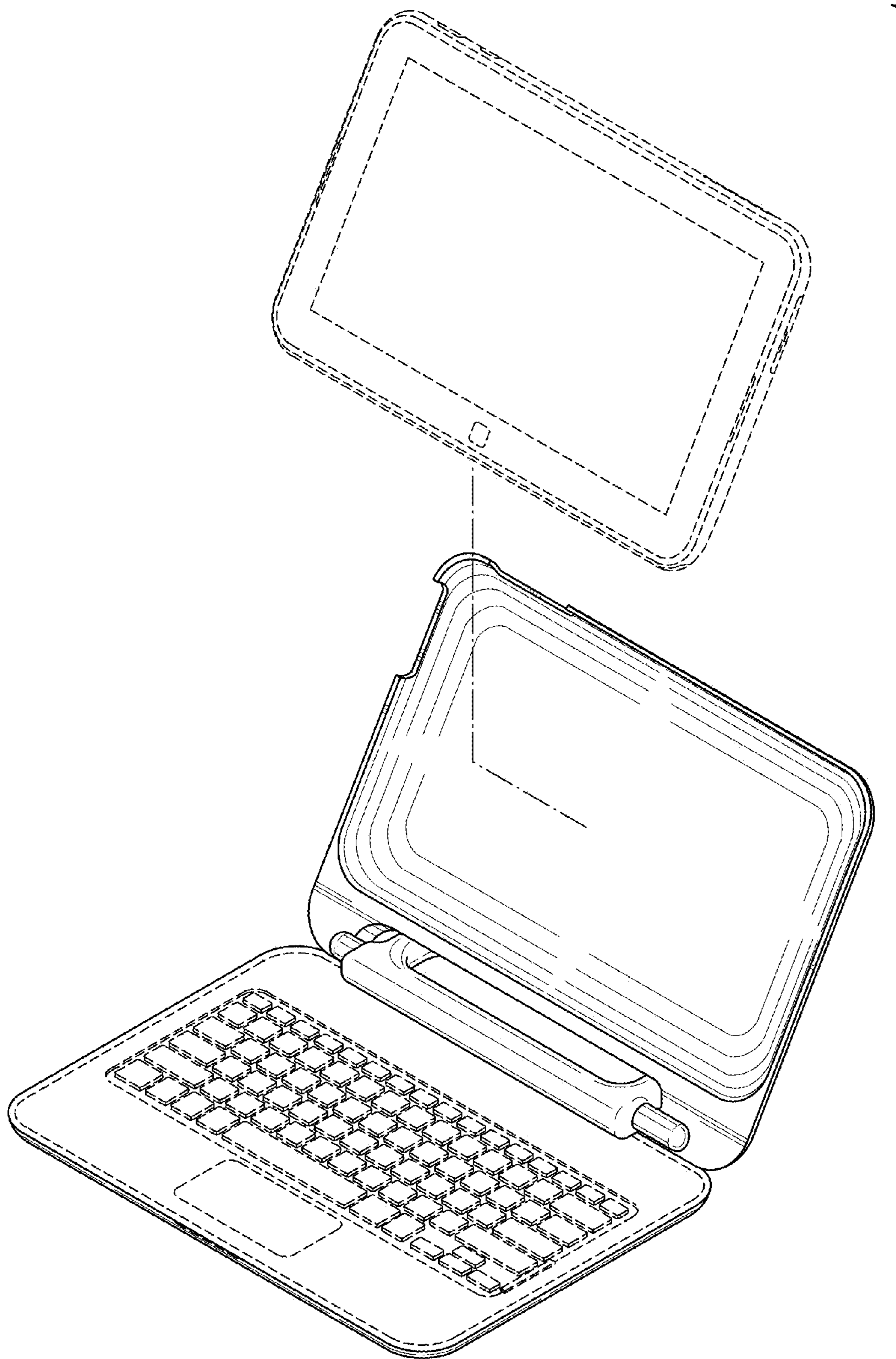


FIG.8