



US00D694245S

(12) **United States Design Patent**
Sanz

(10) **Patent No.:** **US D694,245 S**
(45) **Date of Patent:** **** Nov. 26, 2013**

- (54) **COMPUTER TABLET STAND**
- (71) Applicant: **Victor Sanz**, Whitehouse Station, NJ (US)
- (72) Inventor: **Victor Sanz**, Whitehouse Station, NJ (US)
- (73) Assignee: **Tumi, Inc.**, South Plainfield, NJ (US)
- (**) Term: **14 Years**
- (21) Appl. No.: **29/445,390**
- (22) Filed: **Feb. 11, 2013**

D466,356	S *	12/2002	Marsilio	D6/632
6,493,969	B2 *	12/2002	Devos	40/120
D469,438	S *	1/2003	Corrales	D14/432
D471,008	S *	3/2003	Dubone	D3/247
D478,623	S *	8/2003	Wilburn	D19/26
6,646,672	B2 *	11/2003	Feierbach	348/14.02
D546,878	S *	7/2007	Bharma	D19/26
7,318,521	B2 *	1/2008	Lau	206/45.24
D581,865	S *	12/2008	Koza	D13/102
D584,314	S *	1/2009	Davis et al.	D14/440
7,542,052	B2 *	6/2009	Solomon et al.	345/659
D609,226	S *	2/2010	Hofer et al.	D14/248
8,016,107	B2 *	9/2011	Emsky	206/320
D646,266	S *	10/2011	Kim et al.	D14/250
D648,529	S *	11/2011	Brown	D3/269
D654,069	S *	2/2012	Kwon et al.	D14/250

(Continued)

Related U.S. Application Data

- (63) Continuation-in-part of application No. 29/407,987, filed on Dec. 6, 2011, now Pat. No. Des. 676,050.
 - (51) **LOC (9) Cl.** **14-02**
 - (52) **U.S. Cl.**
USPC **D14/440**
 - (58) **Field of Classification Search**
USPC D14/250, 251, 253, 240, 217, 496, 440,
D14/203.3, 203.4, 203.5, 203.8, 341, 318;
D3/218, 215, 201, 294, 289, 900;
220/4.02; 248/309.1; 361/679.56;
379/426, 433.11, 455; 455/575.1,
455/575.8; 190/100; 206/305, 320;
D21/469
- See application file for complete search history.

Primary Examiner — Cynthia Underwood

(74) *Attorney, Agent, or Firm* — Jon Fallon, Esq.

(57) **CLAIM**

What is claimed is the ornamental design for a computer tablet stand, as shown and described.

DESCRIPTION

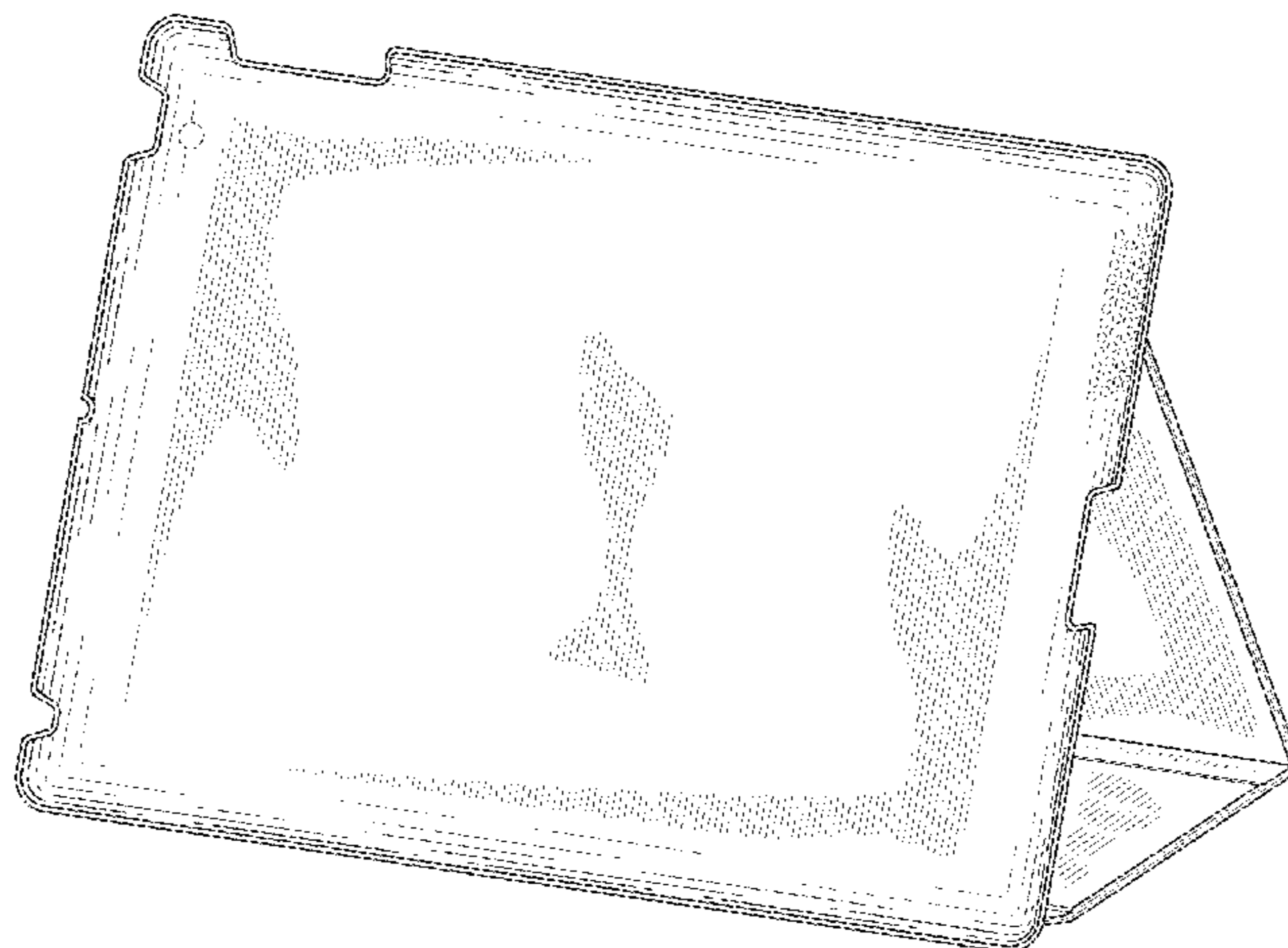
FIG. 1 depicts a perspective view of a computer tablet stand, showing the novel design;
 FIG. 2 depicts a front view of a computer tablet stand, showing the novel design;
 FIG. 3 depicts a top view of a computer tablet stand, showing the novel design;
 FIG. 4 depicts a rear view of a computer tablet stand, showing the novel design;
 FIG. 5 depicts a bottom view of a computer tablet stand, showing the novel design;
 FIG. 6 depicts a side perspective view of a computer tablet stand, showing the novel design; and,
 FIG. 7 depicts an alternate side perspective view of a computer tablet stand, showing the novel design.
 The broken lines shown in the Figures are included for illustrative purposes only and form no part of the claimed design.

1 Claim, 6 Drawing Sheets

(56) **References Cited**

U.S. PATENT DOCUMENTS

681,976	A *	9/1901	Rathvon	248/456
1,370,279	A *	3/1921	Burzynski	211/43
2,354,782	A *	8/1944	Stradling et al.	281/16
2,726,835	A *	12/1955	Hummel	248/459
D230,376	S *	2/1974	Andrew	D19/91
4,318,527	A *	3/1982	Smith	248/459
4,703,160	A *	10/1987	Narishima et al.	235/1 D
4,718,550	A *	1/1988	Johnson	206/387.13



(56)

References Cited

U.S. PATENT DOCUMENTS

8,132,670 B1 *	3/2012	Chen	206/320	8,235,208 B2 *	8/2012	Sirichai et al.	206/320
D659,139 S *	5/2012	Gengler	D14/392	8,245,843 B1 *	8/2012	Wu	206/320
D662,100 S *	6/2012	Van Den Nieuwenhuizen et al.	D14/440	D672,781 S *	12/2012	Lu	D14/440
D662,503 S *	6/2012	Akana et al.	D14/439	D673,158 S *	12/2012	Yang et al.	D14/440
D663,304 S *	7/2012	Akana et al.	D14/440	D679,279 S *	4/2013	Yang et al.	D14/440
8,230,992 B2 *	7/2012	Law et al.	206/320	2009/0194209 A1 *	8/2009	De Filippis et al.	150/107
D665,809 S *	8/2012	Wang et al.	D14/439	2010/0289390 A1 *	11/2010	Kenney	312/223.1
				2012/0043231 A1 *	2/2012	Perrier et al.	206/216
				2012/0170212 A1 *	7/2012	Gallouzi et al.	361/679.56
				2012/0194448 A1 *	8/2012	Rothkopf	345/173
				2012/0212896 A1 *	8/2012	Schulz	361/679.02

* cited by examiner

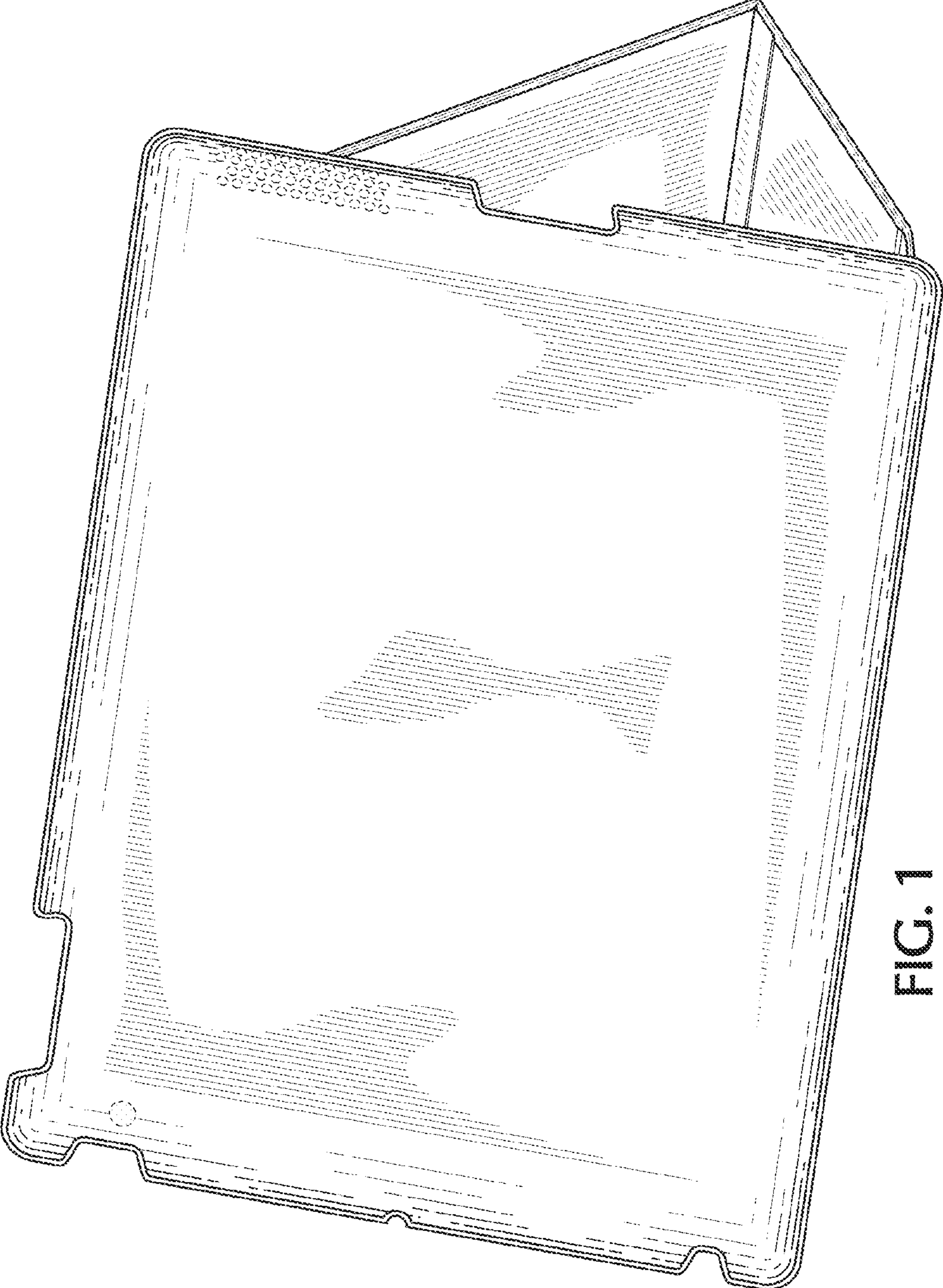


FIG. 1

FIG. 2



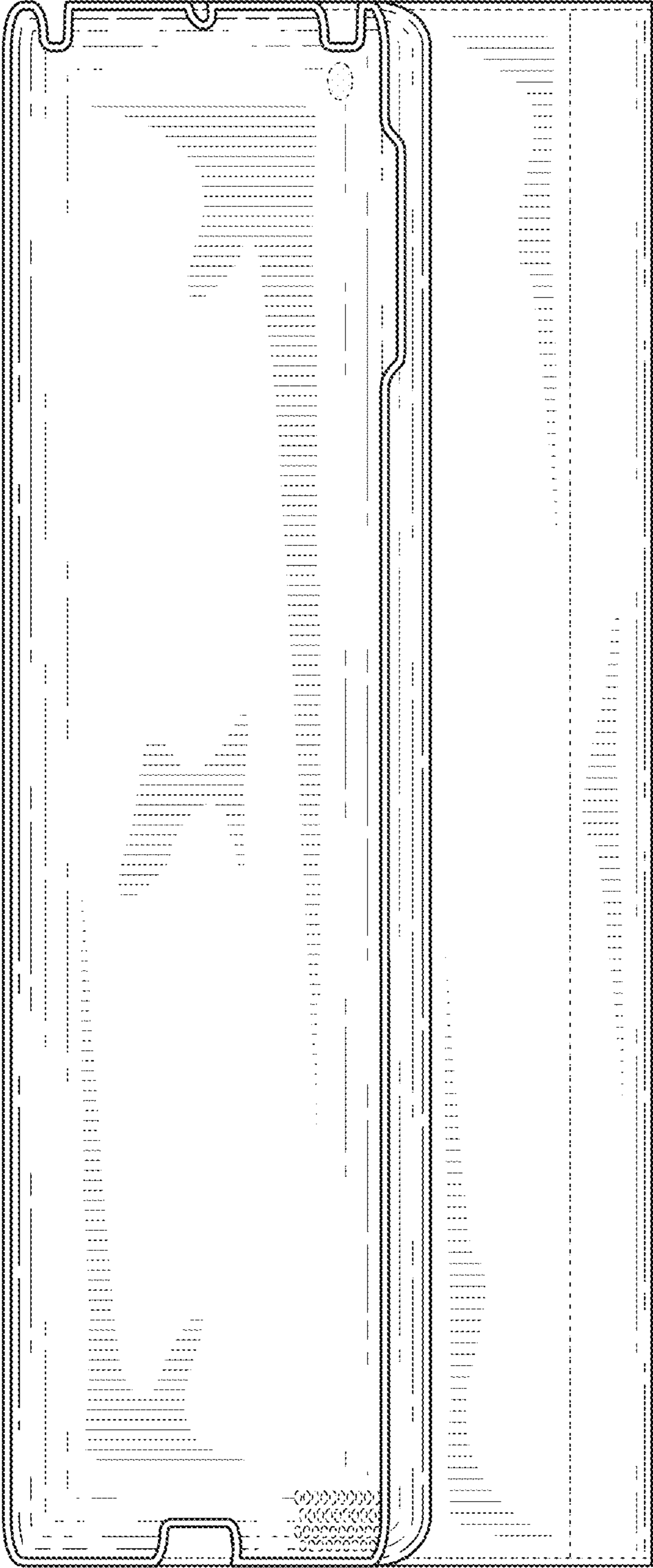


FIG. 3

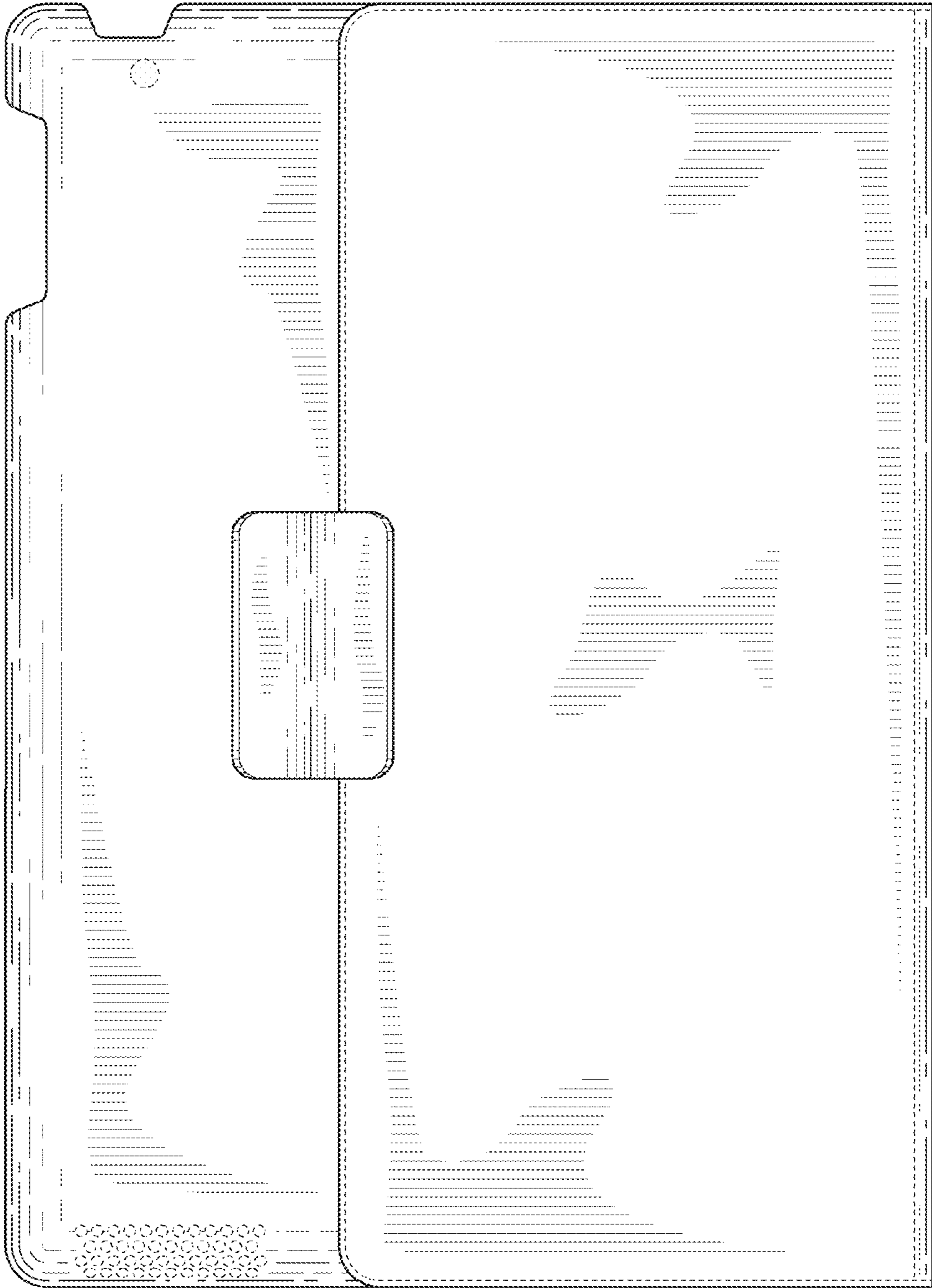


FIG. 4



FIG. 5

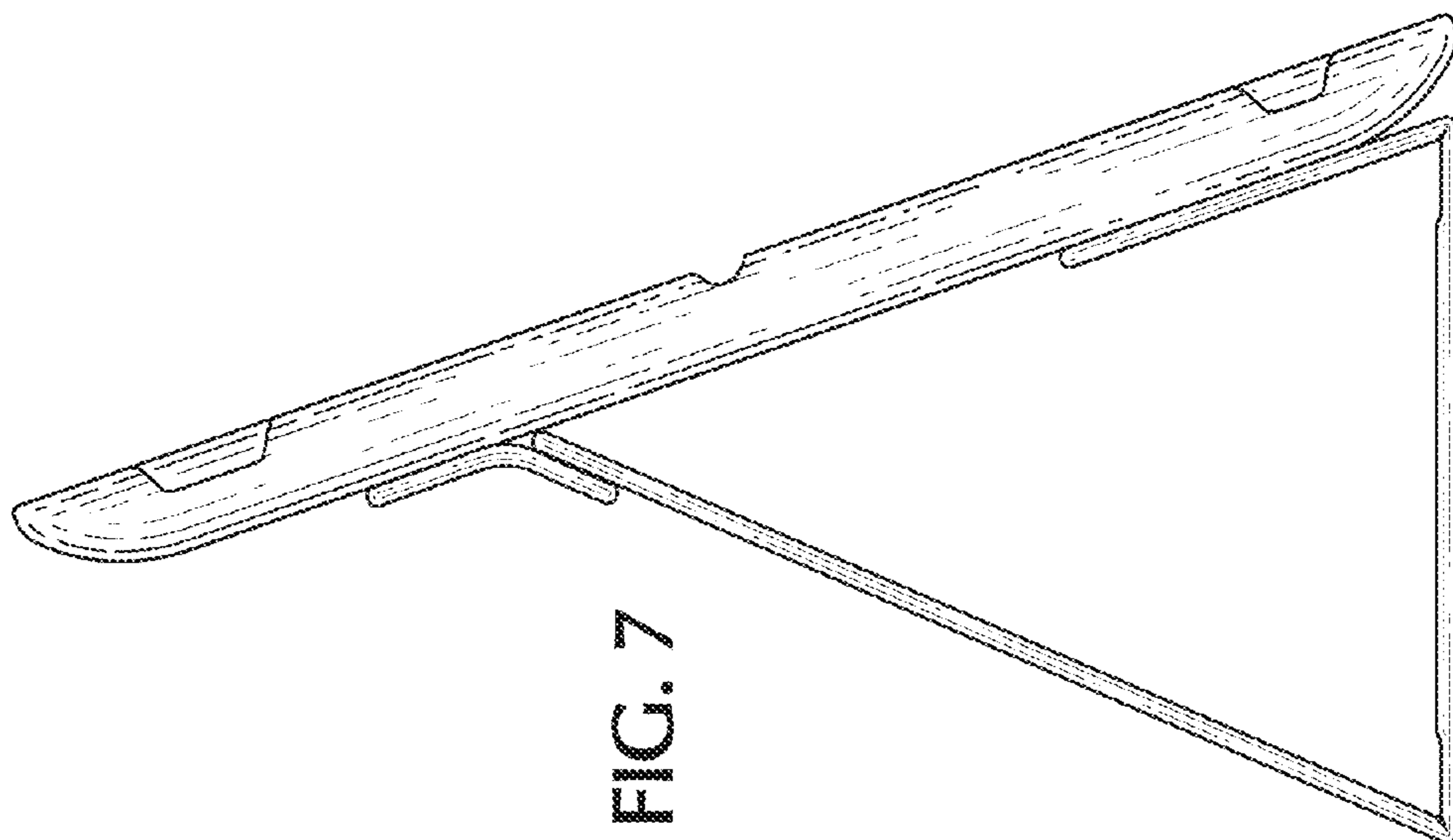


FIG. 7

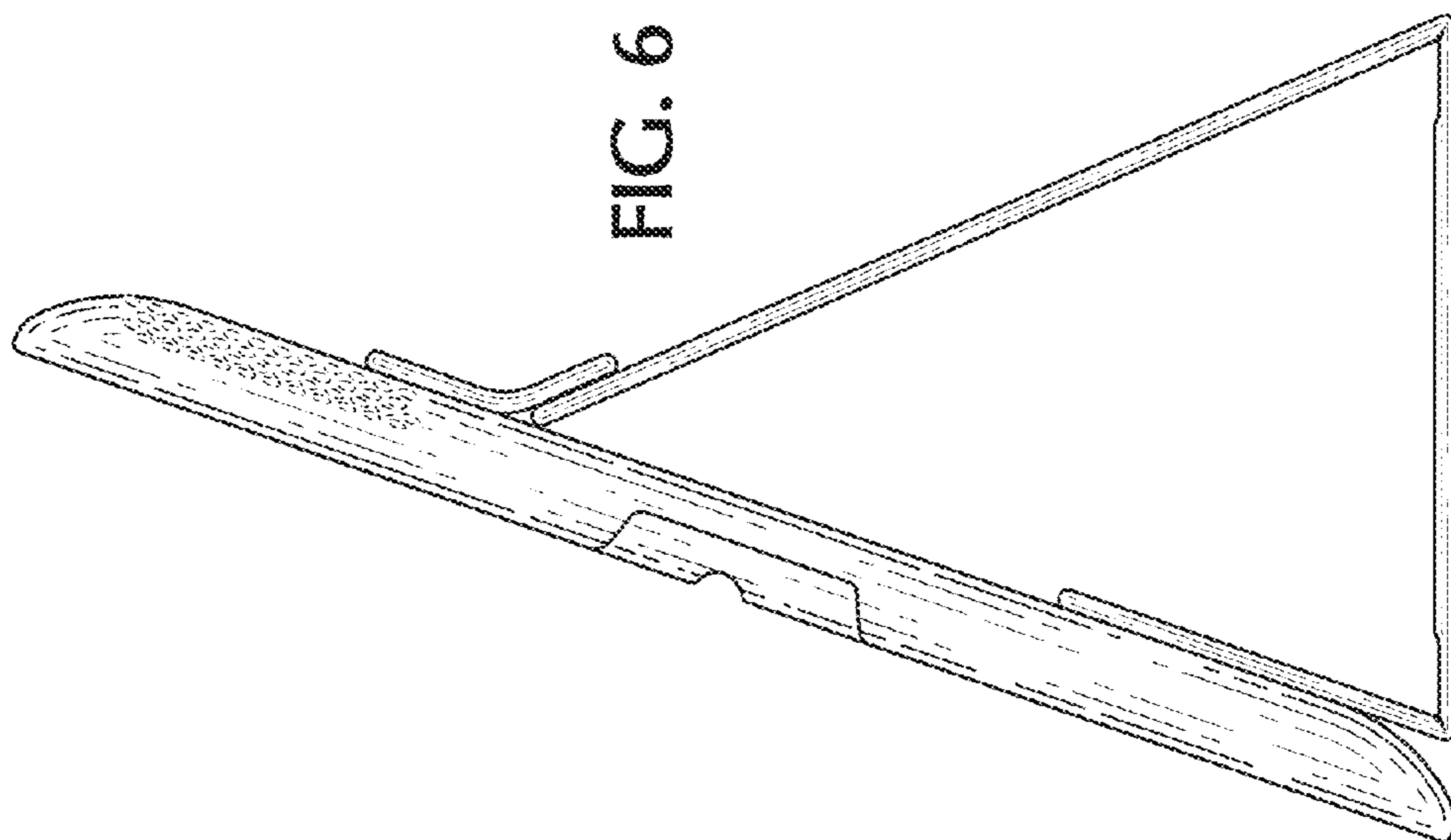


FIG. 6