



US00D694243S

(12) **United States Design Patent**
Akana et al.

(10) **Patent No.:** **US D694,243 S**
(45) **Date of Patent:** **** Nov. 26, 2013**

(54) **CONNECTOR**

- (71) Applicant: **Apple Inc.**, Cupertino, CA (US)
- (72) Inventors: **Jody Akana**, San Francisco, CA (US);
Bartley K. Andre, Palo Alto, CA (US);
Jeremy Bataillou, San Francisco, CA (US);
Daniel J. Coster, San Francisco, CA (US);
Daniele De Iuliis, San Francisco, CA (US);
M. Evans Hankey, San Francisco, CA (US);
Julian Hoenig, San Francisco, CA (US);
Richard P. Howarth, San Francisco, CA (US);
Jonathan P. Ive, San Francisco, CA (US);
Duncan Robert Kerr, San Francisco, CA (US);
Shin Nishibori, Kailua, HI (US);
Matthew Dean Rohrbach, San Francisco, CA (US);
Peter Russell-Clarke, San Francisco, CA (US);
Christopher J. Stringer, Woodside, CA (US);
Eugene Antony Whang, San Francisco, CA (US);
Rico Zörkendörfer, San Francisco, CA (US)
- (73) Assignee: **Apple Inc.**, Cupertino, CA (US)
- (**) Term: **14 Years**
- (21) Appl. No.: **29/456,394**
- (22) Filed: **May 30, 2013**

Related U.S. Application Data

- (63) Continuation of application No. 29/431,556, filed on Sep. 7, 2012, now Pat. No. Des. 684,976, and a continuation of application No. 29/426,587, filed on Jul. 6, 2012, now Pat. No. Des. 684,539.
 - (51) **LOC (9) Cl.** **14-02**
 - (52) **U.S. Cl.**
USPC **D14/433**
 - (58) **Field of Classification Search**
USPC D14/356–358, 383–385, 420, 426, 427,
D14/432–439, 447, 453, 454, 217, 253,
D14/299; D13/107, 108, 133, 146, 147,
D13/152, 154, 156, 158, 162, 162.1, 168,
D13/173, 177; 439/131, 172–174, 373, 378;
361/679.08, 679.56, 679.21, 679.4
- See application file for complete search history.

(56) **References Cited**

- U.S. PATENT DOCUMENTS
- D304,028 S 10/1989 Matsuzaki
(Continued)
- FOREIGN PATENT DOCUMENTS
- WO WO 2006/074348 A1 7/2006
(Continued)
- OTHER PUBLICATIONS
- Co-Pending U.S. Appl. No. 29/441,757, filed Jan. 9, 2013 (Not Published).
(Continued)

Primary Examiner — Austin Murphy
(74) *Attorney, Agent, or Firm* — Sterne, Kessler, Goldstein & Fox, P.L.L.C.

(57) **CLAIM**

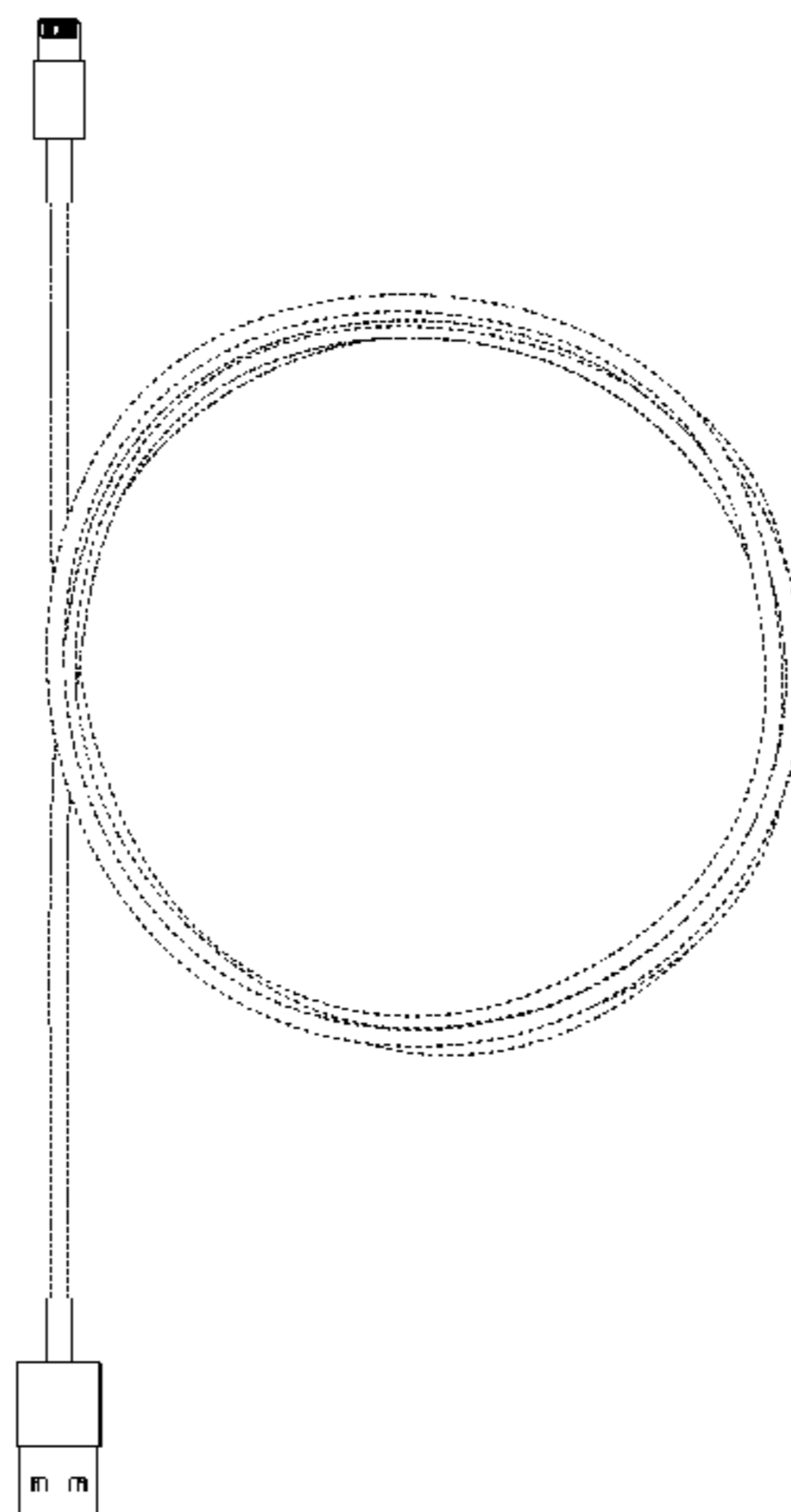
The ornamental design for a connector, as shown and described.

DESCRIPTION

FIG. 1 is a top view of a connector showing our new design; FIG. 2 is a top front perspective view of a portion thereof; FIG. 3 is a bottom rear perspective view thereof; FIG. 4 is a top view thereof; FIG. 5 is a bottom view thereof; FIG. 6 is a side view thereof, the other side view being a mirror image thereof; FIG. 7 is a front view thereof; FIG. 8 is a rear view thereof; FIG. 9 is a top front perspective view of another end of the connector of FIG. 1; FIG. 10 is a bottom rear perspective view thereof; FIG. 11 is a top view thereof, the bottom view being a mirror image thereof; FIG. 12 is a side view thereof, the other side view being a mirror image thereof; FIG. 13 is a front view thereof; and, FIG. 14 is a rear view thereof.

The broken lines in the Figures show portions of the connector that form no part of the claimed design. The shade lines in the Figures show contour and not surface ornamentation.

1 Claim, 9 Drawing Sheets



(56)

References Cited

OTHER PUBLICATIONS

U.S. PATENT DOCUMENTS

D369,157 S 4/1996 Ohmori et al.
 D399,047 S 10/1998 Yoshida et al.
 6,137,710 A 10/2000 Iwasaki et al.
 D452,245 S 12/2001 Wallace et al.
 D452,246 S 12/2001 Wallace et al.
 6,483,038 B2 11/2002 Lee et al.
 D487,747 S 3/2004 Yu et al.
 D522,463 S 6/2006 Novotney et al.
 D525,977 S 8/2006 Yao
 7,094,089 B2 8/2006 Andre et al.
 D548,700 S * 8/2007 Ledbetter et al. D13/154
 D552,099 S 10/2007 Nishizawa et al.
 D552,604 S 10/2007 Andre et al.
 7,341,472 B2 3/2008 Chao et al.
 7,354,312 B2 4/2008 Chuang
 D574,365 S 8/2008 Andre et al.
 D578,991 S 10/2008 Donovan et al.
 D585,835 S * 2/2009 Jaqua et al. D13/154
 D588,545 S 3/2009 Andre et al.
 D594,418 S 6/2009 Fujino et al.
 D599,800 S 9/2009 Klein et al.
 D600,652 S 9/2009 Hong et al.
 D607,886 S 1/2010 Bolotin et al.
 D621,785 S 8/2010 Nickol
 D626,513 S * 11/2010 Lin D13/147
 D628,151 S 11/2010 Wegener et al.
 D628,537 S 12/2010 Nagata et al.
 D631,885 S * 2/2011 Maier D14/435.1
 D636,337 S 4/2011 Smith et al.
 D637,193 S 5/2011 Andre et al.
 D643,040 S 8/2011 Sedio et al.
 D644,611 S * 9/2011 Sasaki et al. D13/147
 D648,726 S 11/2011 Behar et al.
 D655,296 S 3/2012 Andre et al.
 D656,147 S 3/2012 Schlossstein
 D658,665 S 5/2012 Akana et al.
 D659,150 S 5/2012 Andre
 D665,754 S 8/2012 Cobbett et al.
 D675,990 S * 2/2013 Sculler D13/147
 D680,076 S 4/2013 McManigal
 D680,539 S 4/2013 Kim
 D682,835 S 5/2013 Daniel
 D683,703 S 6/2013 Akana et al.
 D684,539 S 6/2013 Akana et al.
 D684,976 S 6/2013 Akana et al.
 8,454,388 B2 6/2013 Song
 2002/0170972 A1 11/2002 Kim
 2003/0225954 A1 12/2003 Wu
 2005/0109841 A1 5/2005 Ryan et al.
 2005/0202727 A1 9/2005 Andre et al.
 2007/0123106 A1 5/2007 Zhang
 2007/0293079 A1 12/2007 Chao et al.
 2011/0199729 A1 8/2011 Hsieh
 2012/0252256 A1 10/2012 Zhu et al.
 2013/0084760 A1 4/2013 Siahaan et al.
 2013/0175326 A1 7/2013 Jol et al.

FOREIGN PATENT DOCUMENTS

WO WO 2011/150403 A1 12/2011
 WO WO 2011/160138 A2 12/2011
 WO WO 2011/163256 A1 12/2011
 WO WO 2011/163260 A1 12/2011
 WO WO 2012/103383 A2 8/2012
 WO WO 2013/0817041 6/2013

Co-pending U.S. Appl. No. 29/455,174, filed May 17, 2013 (Not Published).
 Co-pending U.S. Appl. No. 29/456,392, filed May 30, 2013 (Not Published).
 Co-pending U.S. Appl. No. 29/456,487, filed May 31, 2013 (Not Published).
 Co-pending U.S. Appl. No. 29/455,173, filed May 17, 2013 (Not Published).
 Apple 30-pin to USB Cable, http://store.apple.com/us_smb_78313/product/MA591G/C/apple-30-pin-to-usb-cable, accessed on Aug. 28, 2013, 3 pages.
 U.S. Appl. No. 29/424,270, filed Jun. 10, 2012 (Not Published).
 U.S. Appl. No. 29/431,841, filed Sep. 11, 2012 (Not Published).
 U.S. Appl. No. 29/431,876, filed Sep. 11, 2012 (Not Published).
 U.S. Appl. No. 29/432,034, filed Sep. 12, 2012 (Not Published).
 U.S. Appl. No. 13/607,366, filed Sep. 7, 2012 (Not Published).
 U.S. Appl. No. 13/607,404, filed Sep. 7, 2012 (Not Published).
 U.S. Appl. No. 13/607,426, filed Sep. 7, 2012 (Not Published).
 U.S. Appl. No. 13/607,430, filed Sep. 7, 2012 (Not Published).
 U.S. Appl. No. 13/607,443, filed Sep. 7, 2012 (Not Published).
 U.S. Appl. No. 13/607,446, filed Sep. 7, 2012 (Not Published).
 U.S. Appl. No. 13/607,454, filed Sep. 7, 2012 (Not Published).
 U.S. Appl. No. 13/607,462, filed Sep. 7, 2012 (Not Published).
 U.S. Appl. No. 13/607,473, filed Sep. 7, 2012 (Not Published).
 U.S. Appl. No. 13/607,478, filed Sep. 7, 2012 (Not Published).
 U.S. Appl. No. 13/607,497, filed Sep. 7, 2012 (Not Published).
 U.S. Appl. No. 13/607,502, filed Sep. 7, 2012 (Not Published).
 U.S. Appl. No. 13/607,519, filed Sep. 7, 2012 (Not Published).
 U.S. Appl. No. 13/607,528, filed Sep. 7, 2012 (Not Published).
 U.S. Appl. No. 13/607,550, filed Sep. 7, 2012 (Not Published).
 U.S. Appl. No. 13/607,553, filed Sep. 7, 2012 (Not Published).
 U.S. Appl. No. 13/607,554, filed Sep. 7, 2012 (Not Published).
 U.S. Appl. No. 13/607,563, filed Sep. 7, 2012 (Not Published).
 U.S. Appl. No. 13/607,566, filed Sep. 7, 2012 (Not Published).
 U.S. Appl. No. 13/607,598, filed Sep. 7, 2012 (Not Published).
 U.S. Appl. No. 13/607,600, filed Sep. 7, 2012 (Not Published).
 U.S. Appl. No. 13/610,326, filed Sep. 11, 2012 (Not Published).
 U.S. Appl. No. 13/610,631, filed Sep. 11, 2012 (Not Published).
 U.S. Appl. No. 13/610,750, filed Sep. 11, 2012 (Not Published).
 U.S. Appl. No. 13/610,832, filed Sep. 11, 2012 (Not Published).
 U.S. Appl. No. 61/668,074, filed Jul. 5, 2012 (Not Published).
 U.S. Appl. No. 61/693,228, filed Aug. 24, 2012 (Not Published).
 U.S. Appl. No. 61/693,232, filed Aug. 24, 2012 (Not Published).
 U.S. Appl. No. 61/698,496, filed Sep. 7, 2012 (Not Published).
 U.S. Appl. No. 61/698,538, filed Sep. 7, 2012 (Not Published).
 U.S. Appl. No. 61/699,818, filed Sep. 11, 2012 (Not Published).
 U.S. Appl. No. 61/699,838, filed Sep. 11, 2012 (Not Published).
 International Patent Application No. PCT/CN2012/081245, filed Sep. 11, 2012 (Not Published).
 International Patent Application No. PCT/CN2012/081257, filed Sep. 11, 2012 (Not Published).
 U.S. Appl. No. 29/449,244, filed Mar. 14, 2013 (Not Published).
 U.S. Appl. No. 29/441,757, filed Jan. 9, 2013 (Not Published).
 U.S. Appl. No. 29/455,174, filed May 17, 2013 (Not Published).
 U.S. Appl. No. 29/456,392, filed May 30, 2013 (Not Published).
 U.S. Appl. No. 29/456,487, filed May 31, 2013 (Not Published).
 U.S. Appl. No. 29/456,394, filed May 30, 2013 (Not Published).

* cited by examiner

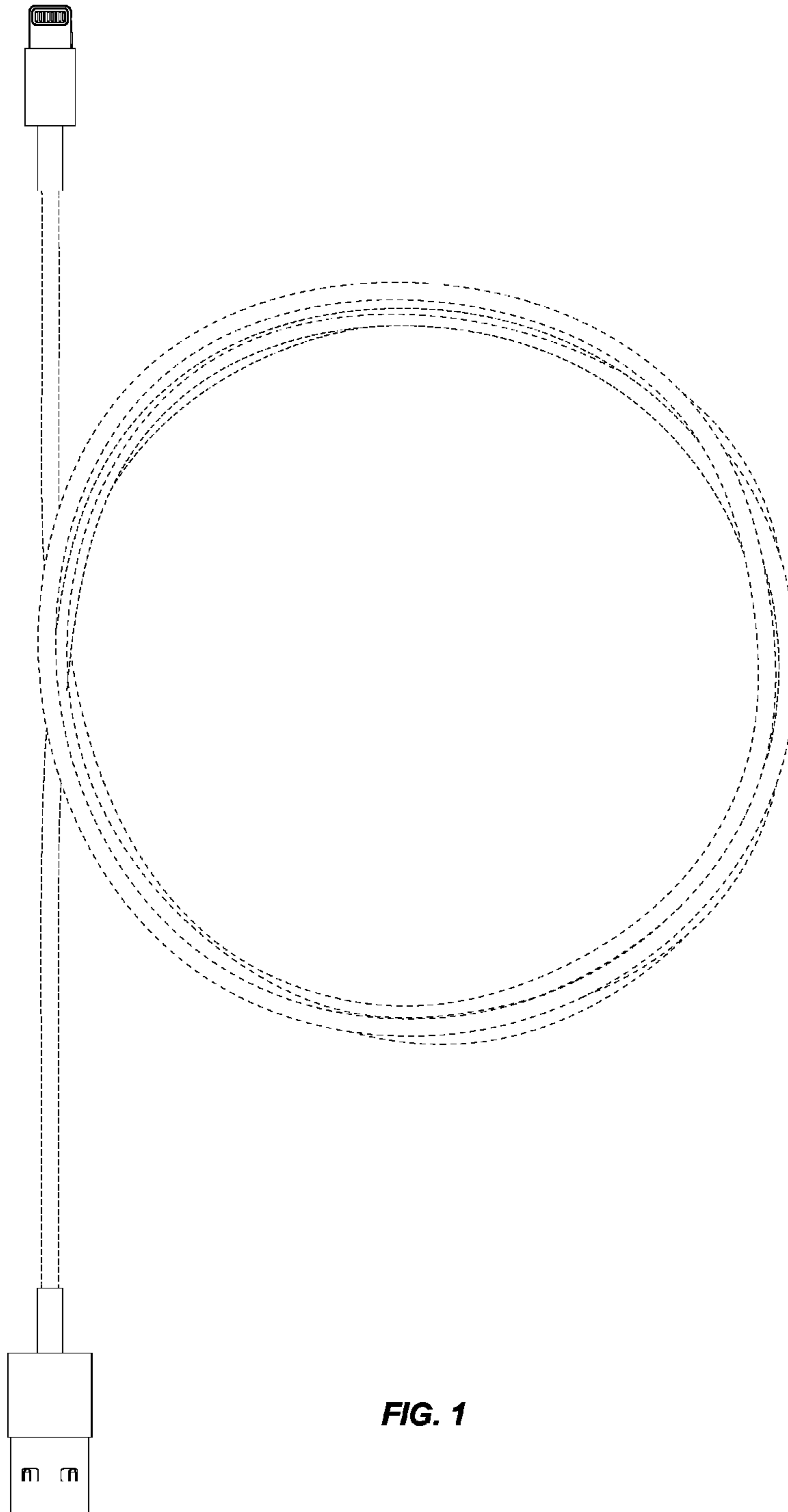


FIG. 1

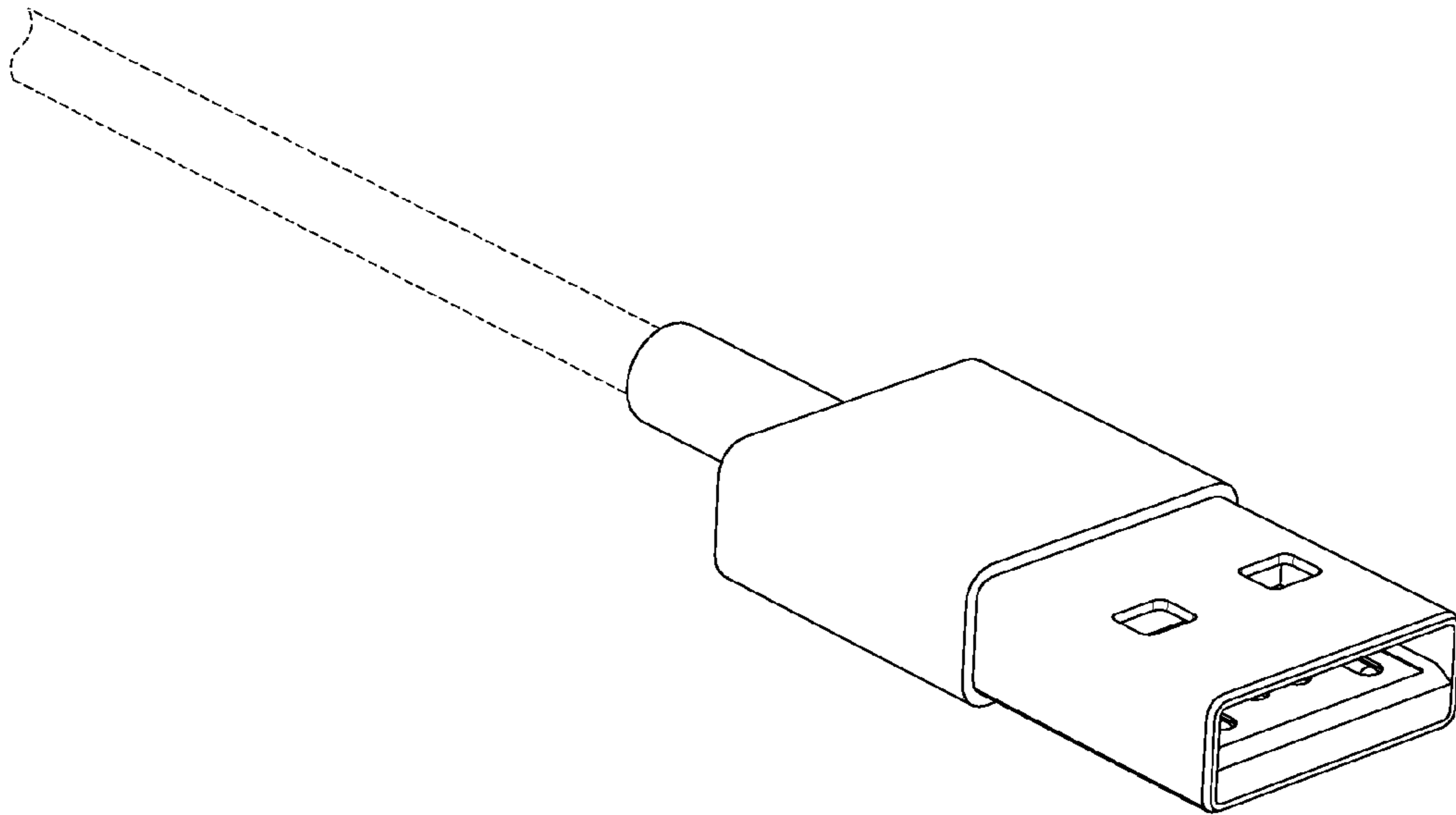


FIG. 2

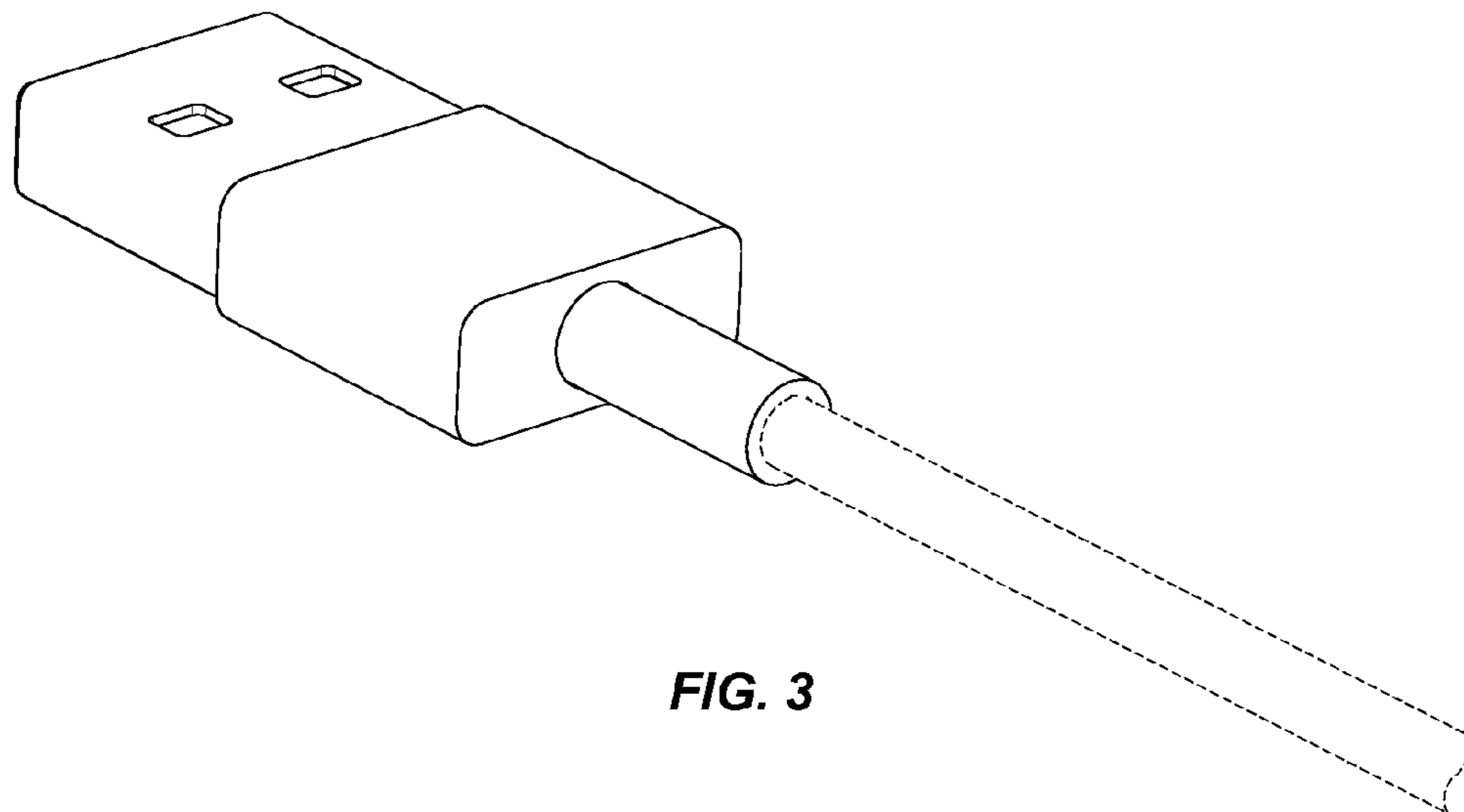


FIG. 3

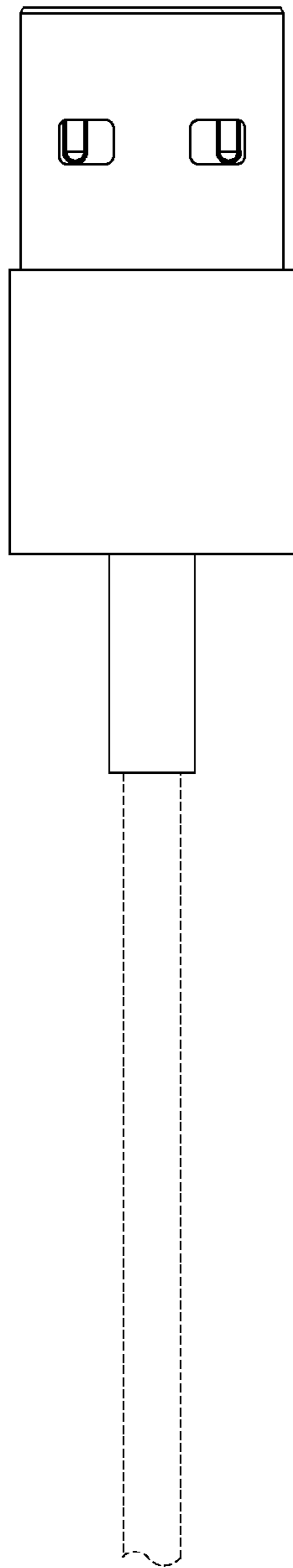


FIG. 4

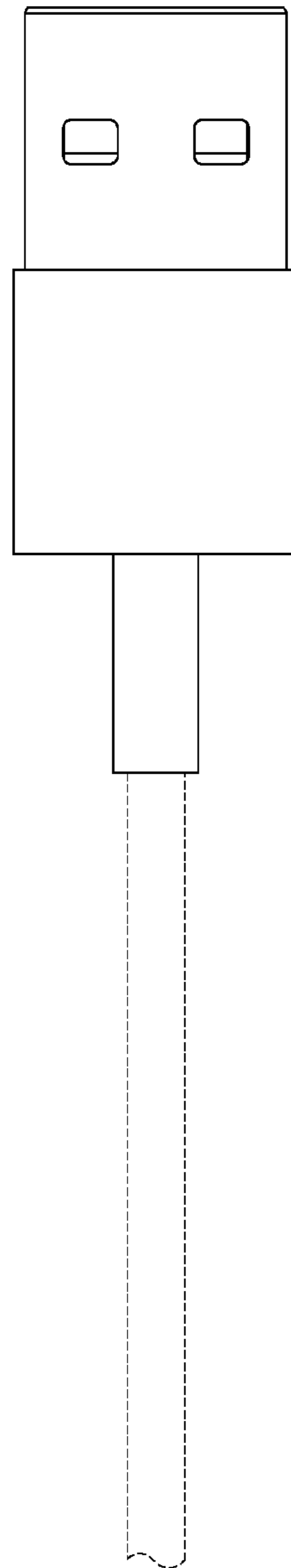


FIG. 5

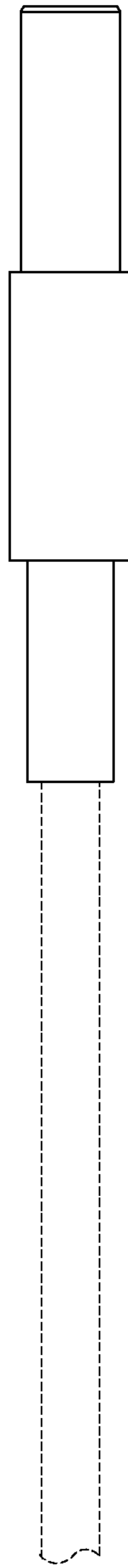


FIG. 6

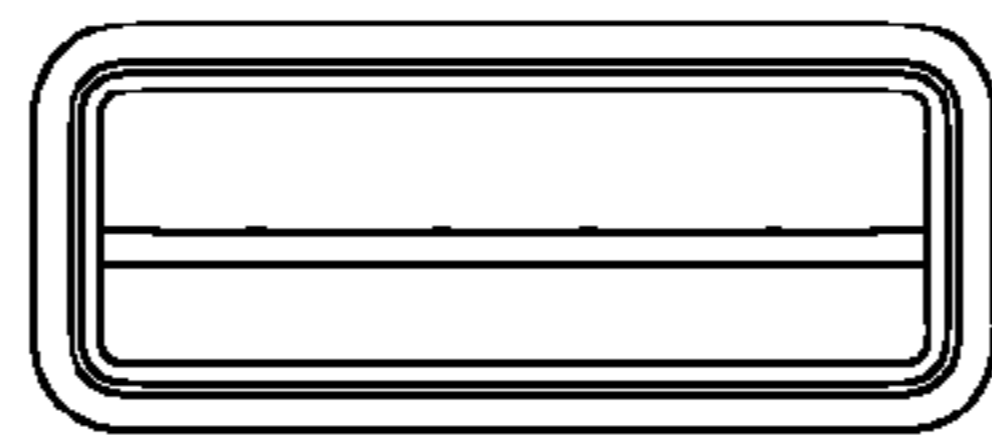


FIG. 7

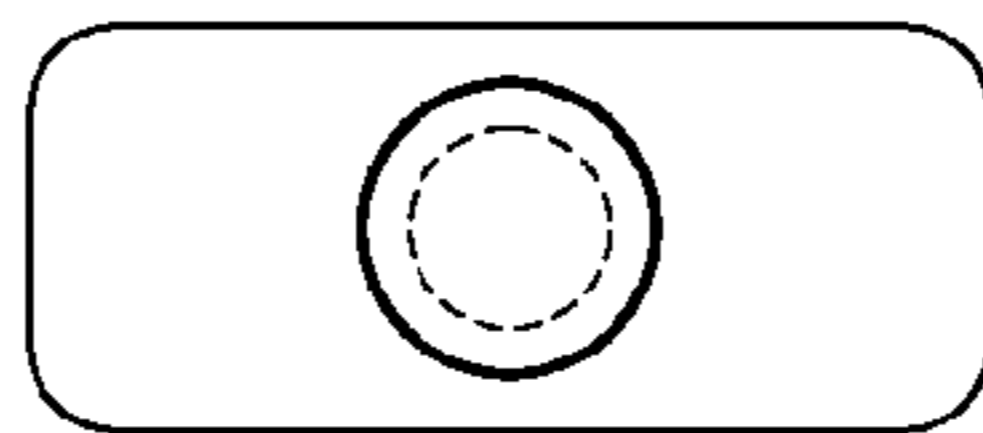


FIG. 8

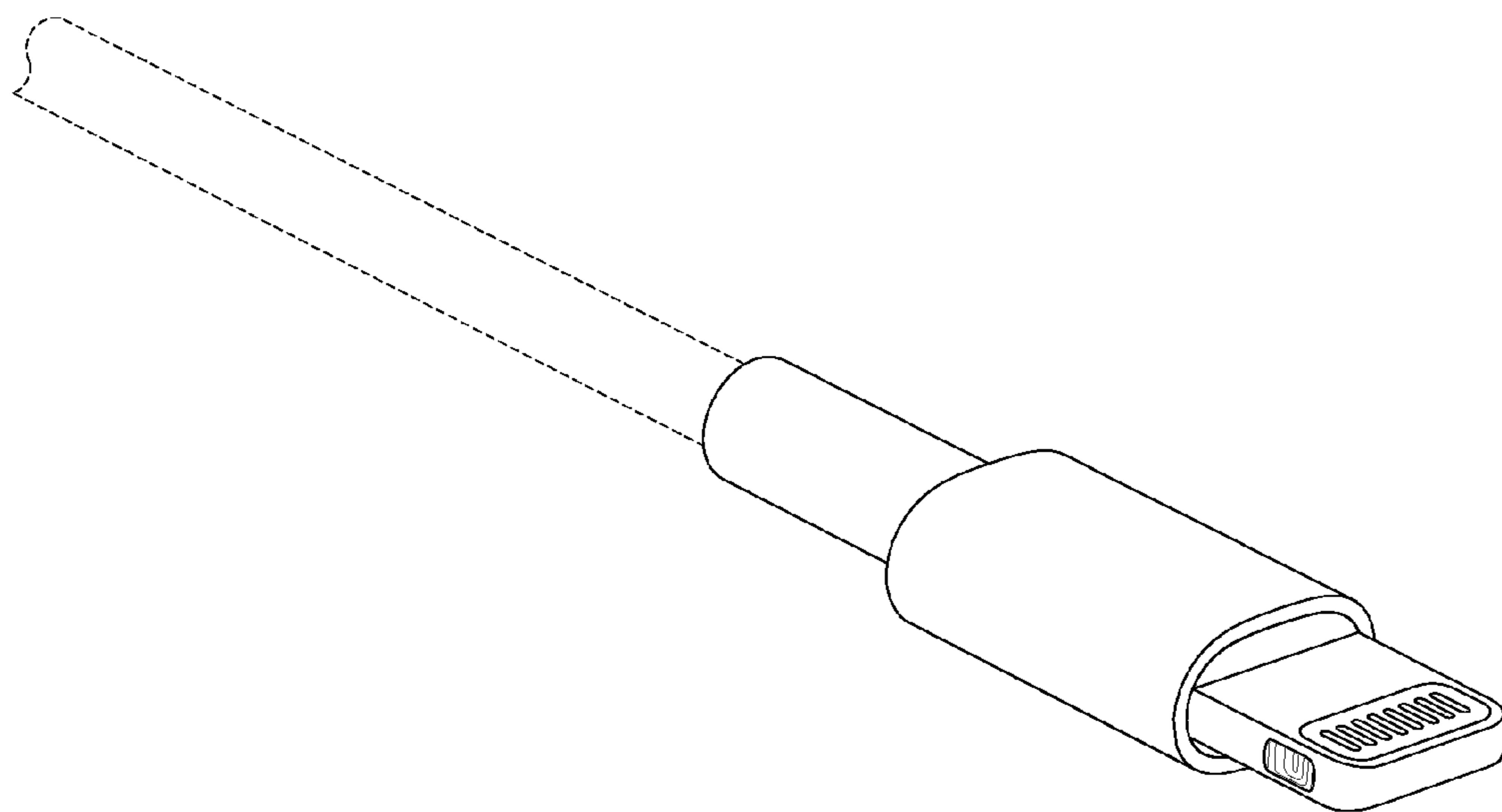


FIG. 9

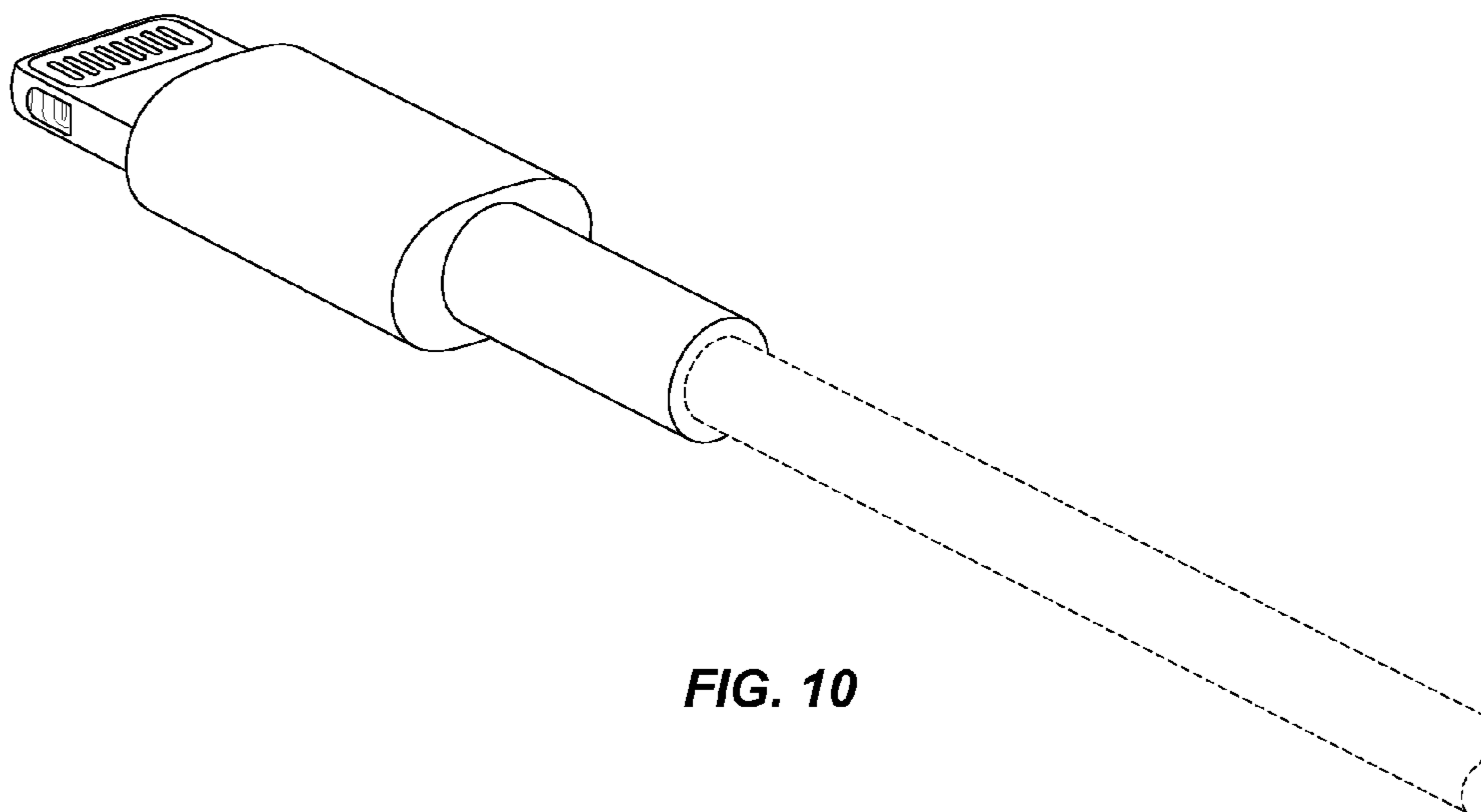


FIG. 10

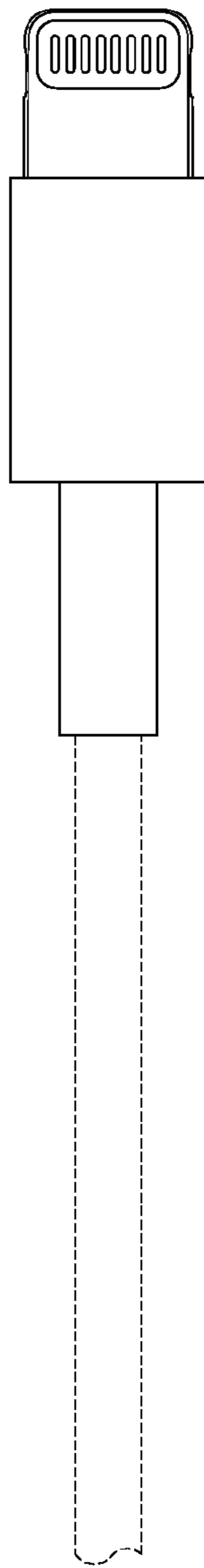


FIG. 11

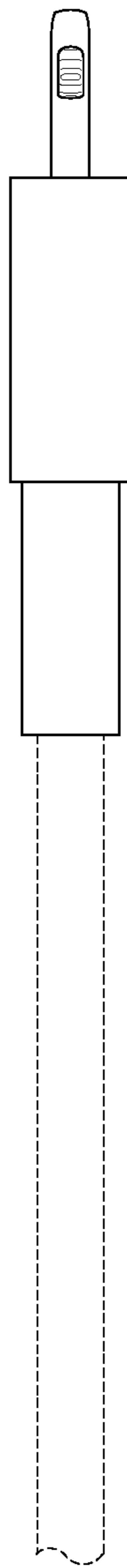


FIG. 12

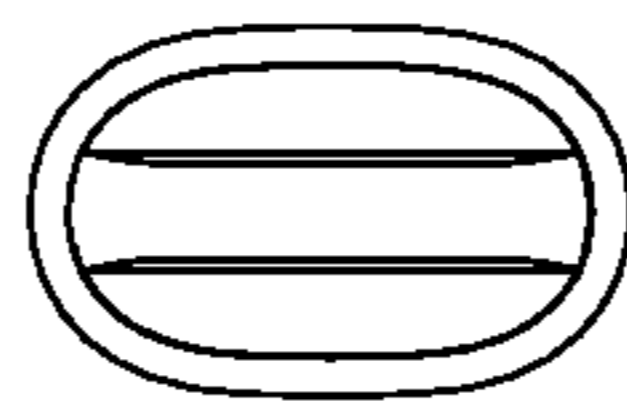


FIG. 13

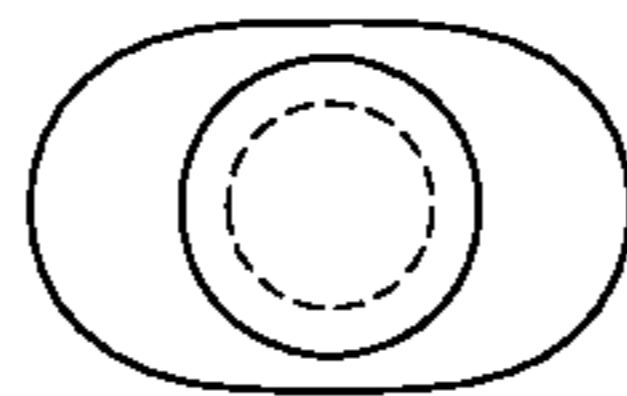


FIG. 14