

US00D694233S

(12) **United States Design Patent**
Hoofnagle et al.

(10) **Patent No.:** **US D694,233 S**

(45) **Date of Patent:** **** Nov. 26, 2013**

(54) **WIRELESS NETWORK MONITOR**

(75) Inventors: **Wayne Hoofnagle**, Redmond, WA (US);
Roger Howell, Seattle, WA (US)

(73) Assignee: **Fluke Corporation**, Everett, WA (US)

(**) Term: **14 Years**

(21) Appl. No.: **29/419,861**

(22) Filed: **May 2, 2012**

(51) **LOC (9) Cl.** **14-02**

(52) **U.S. Cl.**
USPC **D14/356**

(58) **Field of Classification Search**
USPC D14/300–302, 314, 348–370, 383–385,
D14/435, 496, 125, 135, 155, 240–242,
D14/299; D3/273; D9/432; D10/65, 75, 78;
D13/103, 119, 162, 184, 199;
361/679.31–679.45; 312/223.2;
369/6–12; 455/73, 90.1–90.3

See application file for complete search history.

(56) **References Cited**

U.S. PATENT DOCUMENTS

D288,788 S *	3/1987	Richard	D10/68
D351,152 S *	10/1994	Liu	D14/385
D437,314 S *	2/2001	DeLeon	D14/242
D458,923 S *	6/2002	Freitag et al.	D14/314
D459,347 S *	6/2002	Freitag et al.	D14/314
D462,063 S *	8/2002	Bohne	D14/125
D470,464 S *	2/2003	Loiske et al.	D14/125
D585,439 S *	1/2009	Ching et al.	D14/300
D599,753 S *	9/2009	Cho et al.	D14/125
D660,839 S *	5/2012	Govindasamy et al.	D14/358

OTHER PUBLICATIONS

Fluke Networks' AirMagnet Enterprise Provides Comprehensive Oversight of Wireless Networks | FedTech Magazine, [online] posted

Apr. 19, 2013 [retrieved on Jul. 1, 2013]. Retrieved from the Internet <URL: <http://www.fedtechmagazine.com/article/2013/04/fluke-networks-airmagnet-enterprise-provides-comprehensive-oversight-wireless-networ>>.*

Fluke boosts device visibility on WiFi networks | Test & Measurement World, [online] Jan. 3, 2013 [retrieved on Jul. 1, 2013]. Retrieved from the Internet <URL: <http://www.tmworld.com/electronics-products/other/4404126/Fluke-boosts-device-visibility-on-WiFi-networks>>.*

* cited by examiner

Primary Examiner — Karen E Kearney

(74) *Attorney, Agent, or Firm* — Edwards Wildman Palmer LLP; Scott D. Wofsy; Christopher J. Capelli

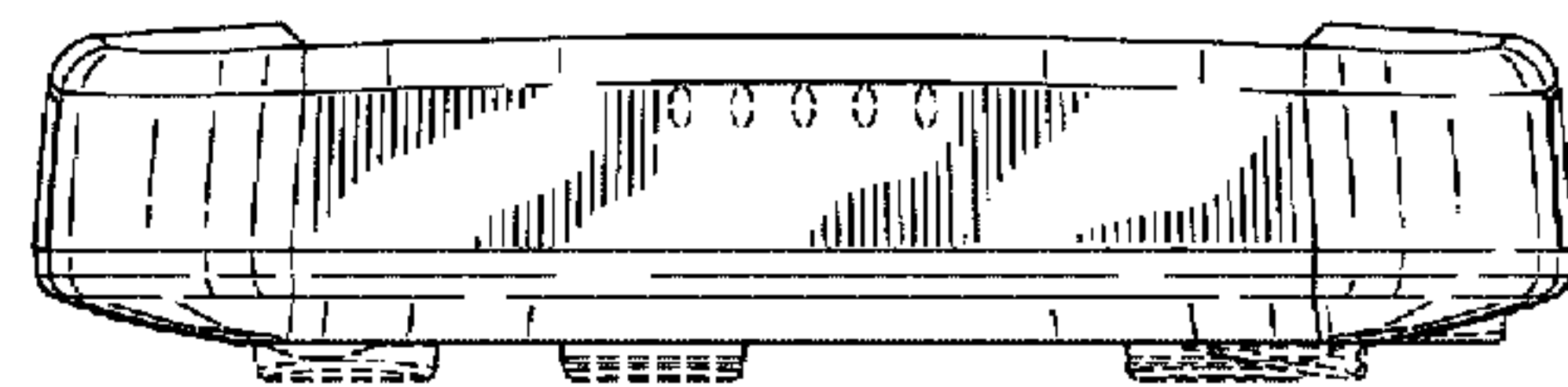
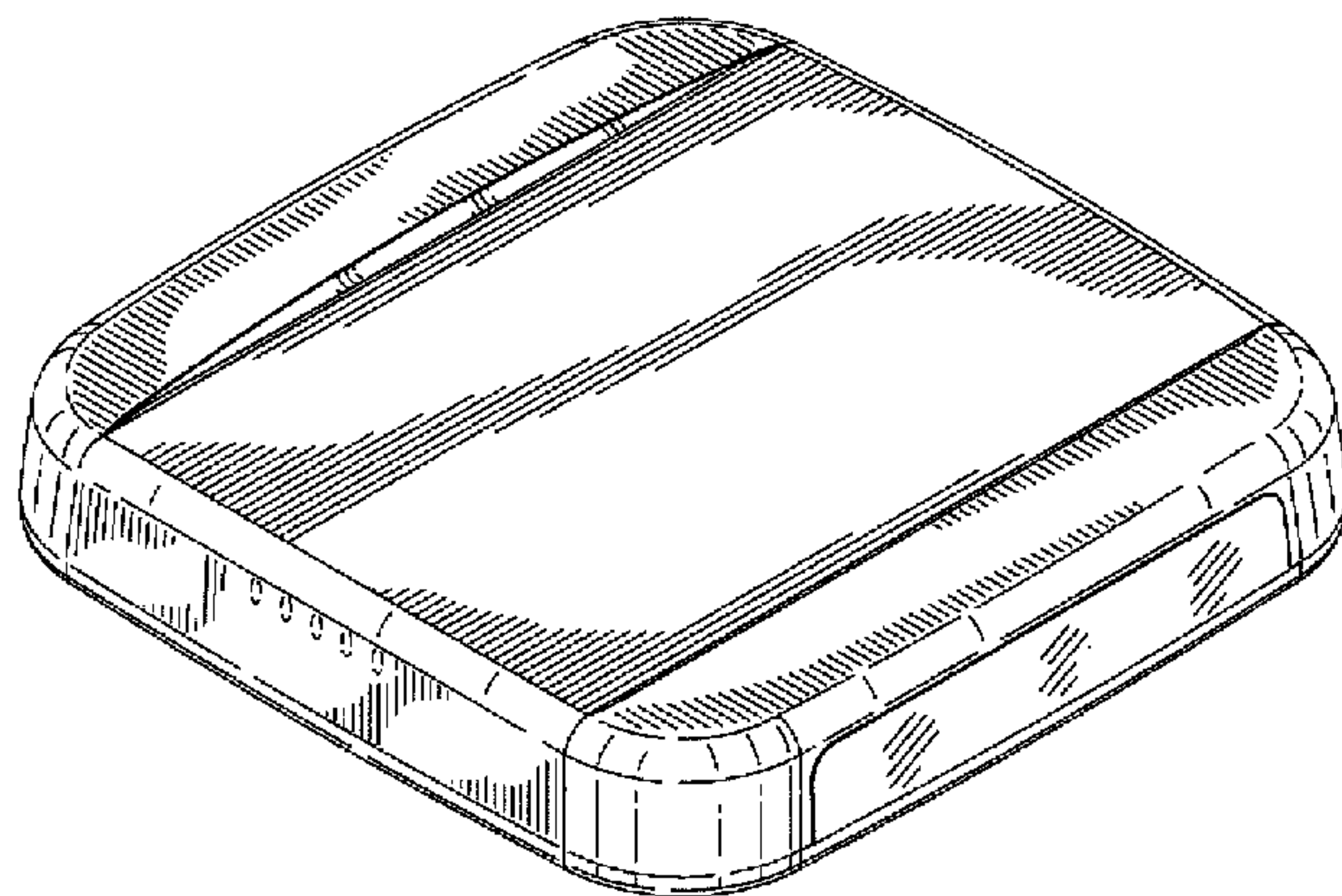
(57) **CLAIM**

We claim the ornamental design for a wireless network monitor, as shown and described.

DESCRIPTION

FIG. 1 is a top isometric view of a wireless network monitor; FIG. 2 is a front view of the wireless network monitor; FIG. 3 is a rear view of the wireless network monitor; FIG. 4 is a left side view of the wireless network monitor; FIG. 5 is a right side view of the wireless network monitor; FIG. 6 is a top view of the wireless network monitor; and, FIG. 7 is a bottom view of the wireless network monitor. Surface shading is included to show the character and contour of the surfaces of three dimensional aspects of the design. The features illustrated in evenly-spaced dashed lines are included for the purpose of illustrating environmental structure and form no part of the claimed design.

1 Claim, 4 Drawing Sheets



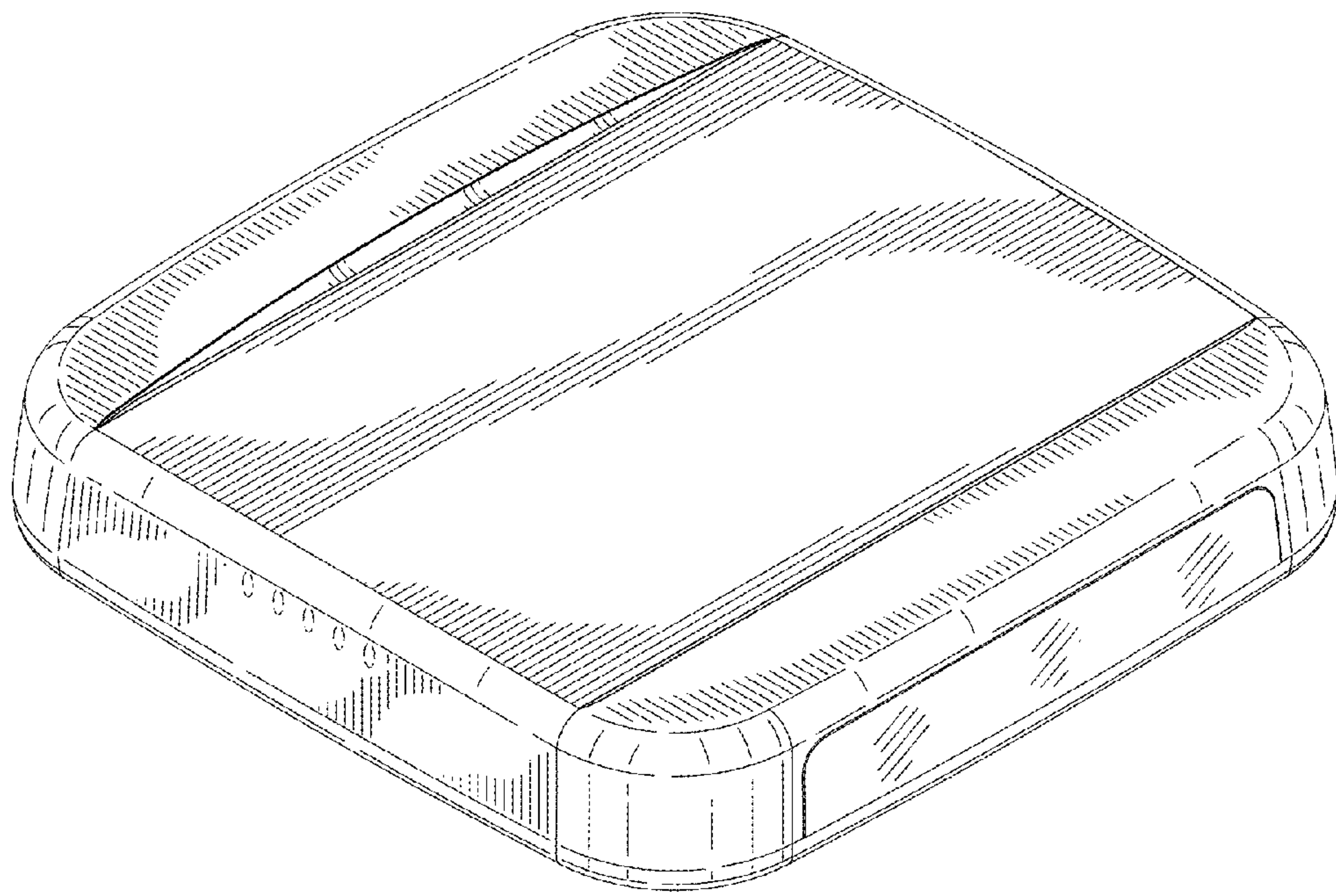


FIG. 1

FIG. 2

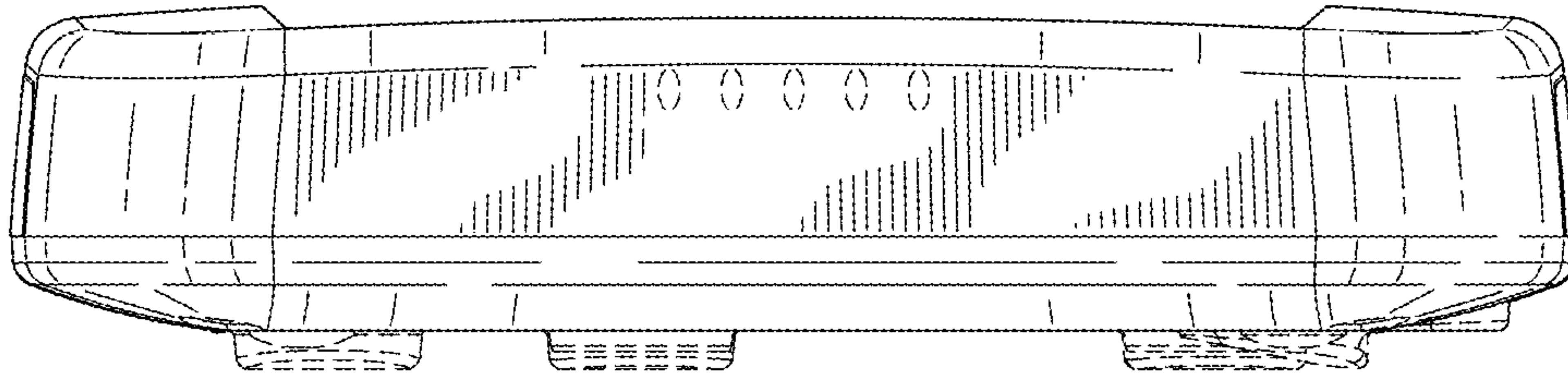


FIG. 3

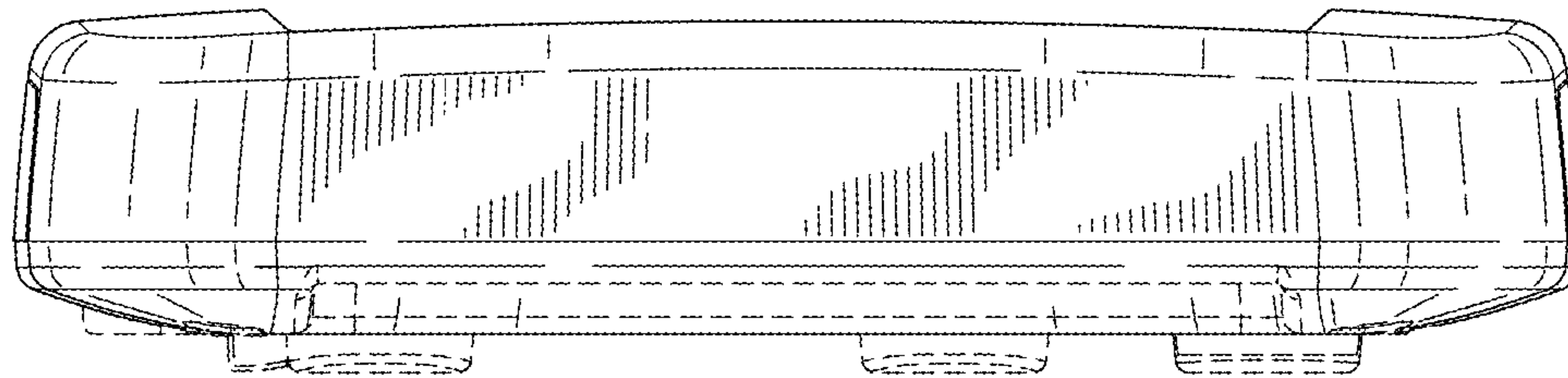


FIG. 4

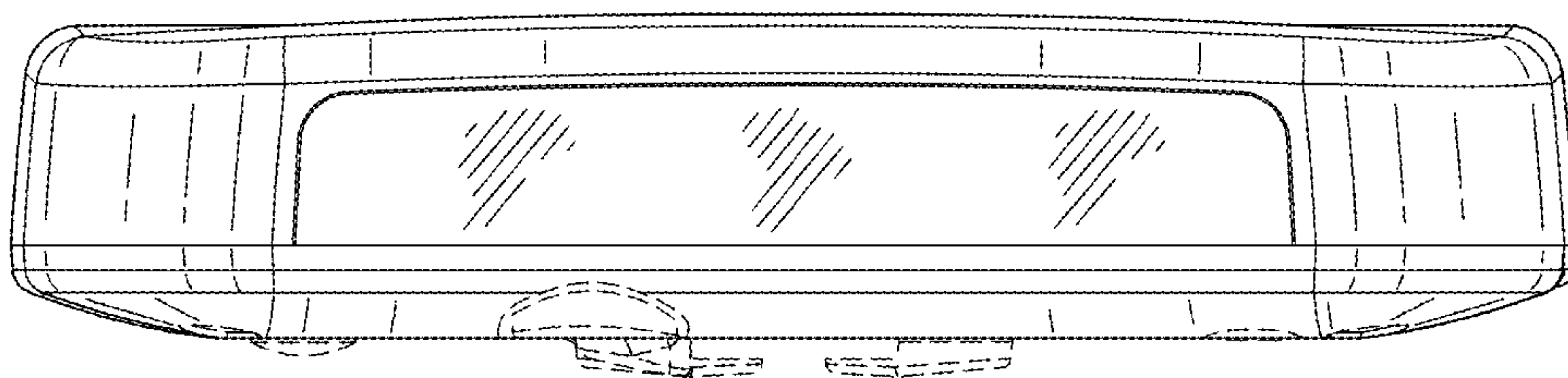
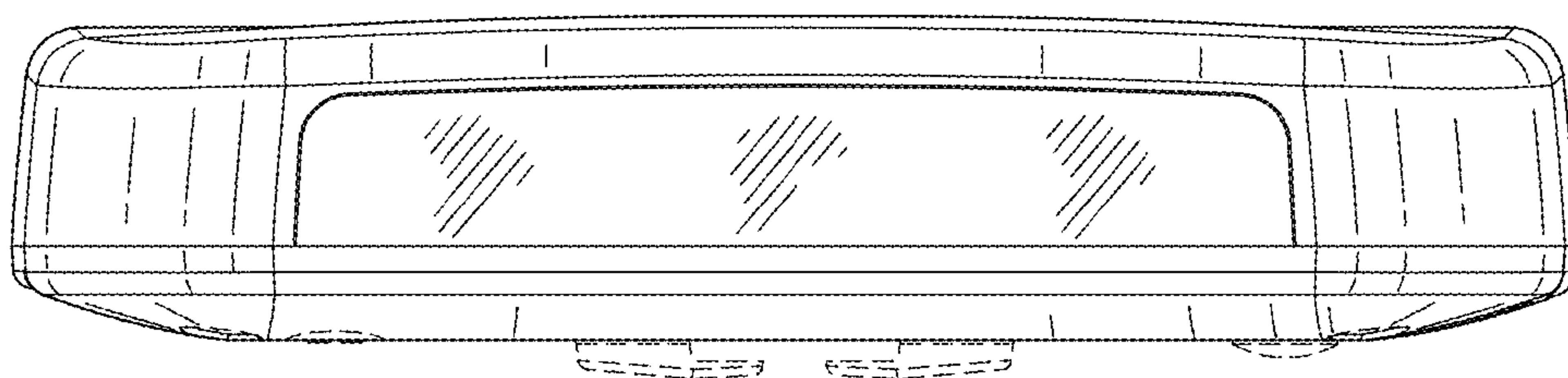


FIG. 5



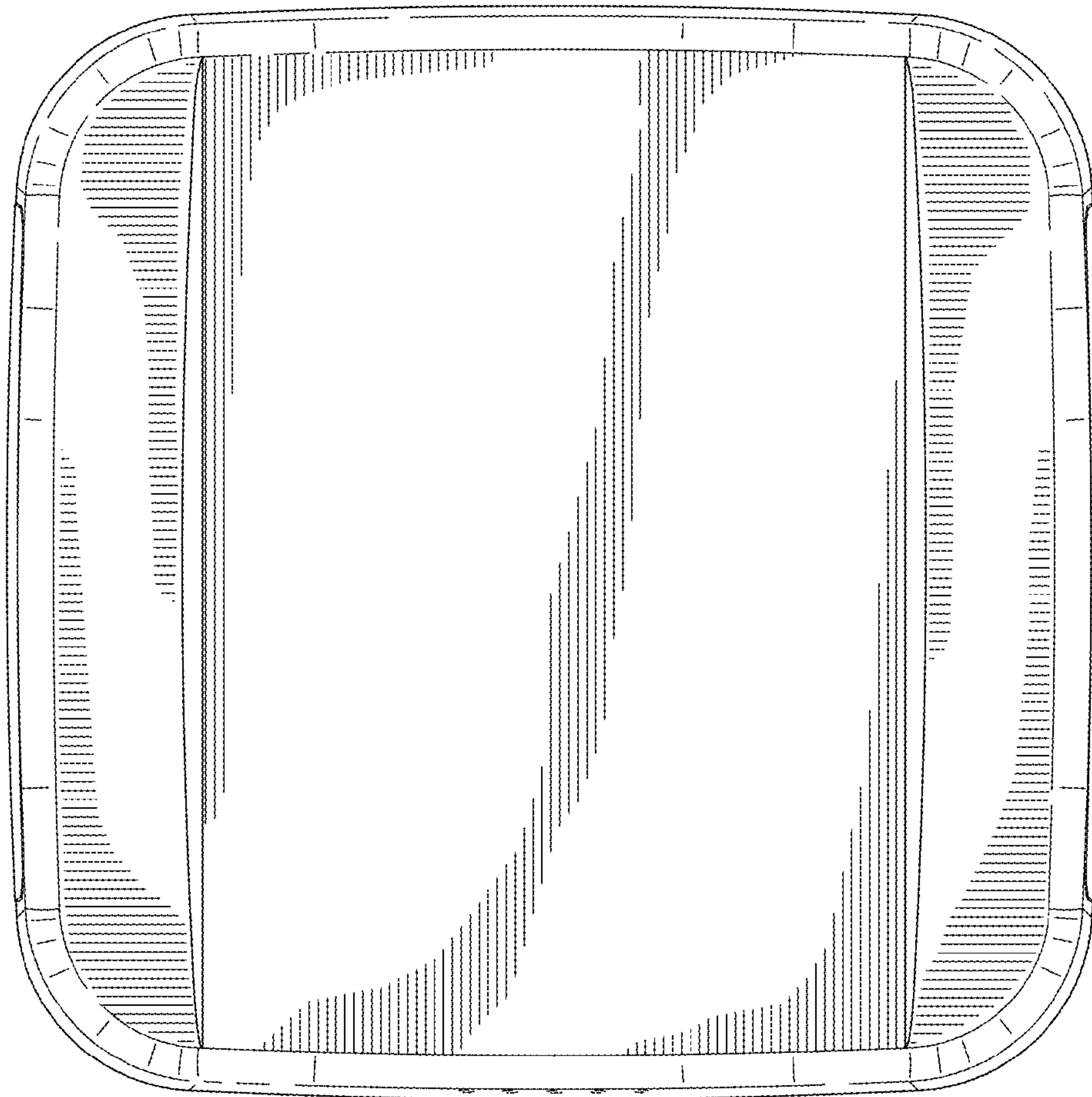


FIG. 6

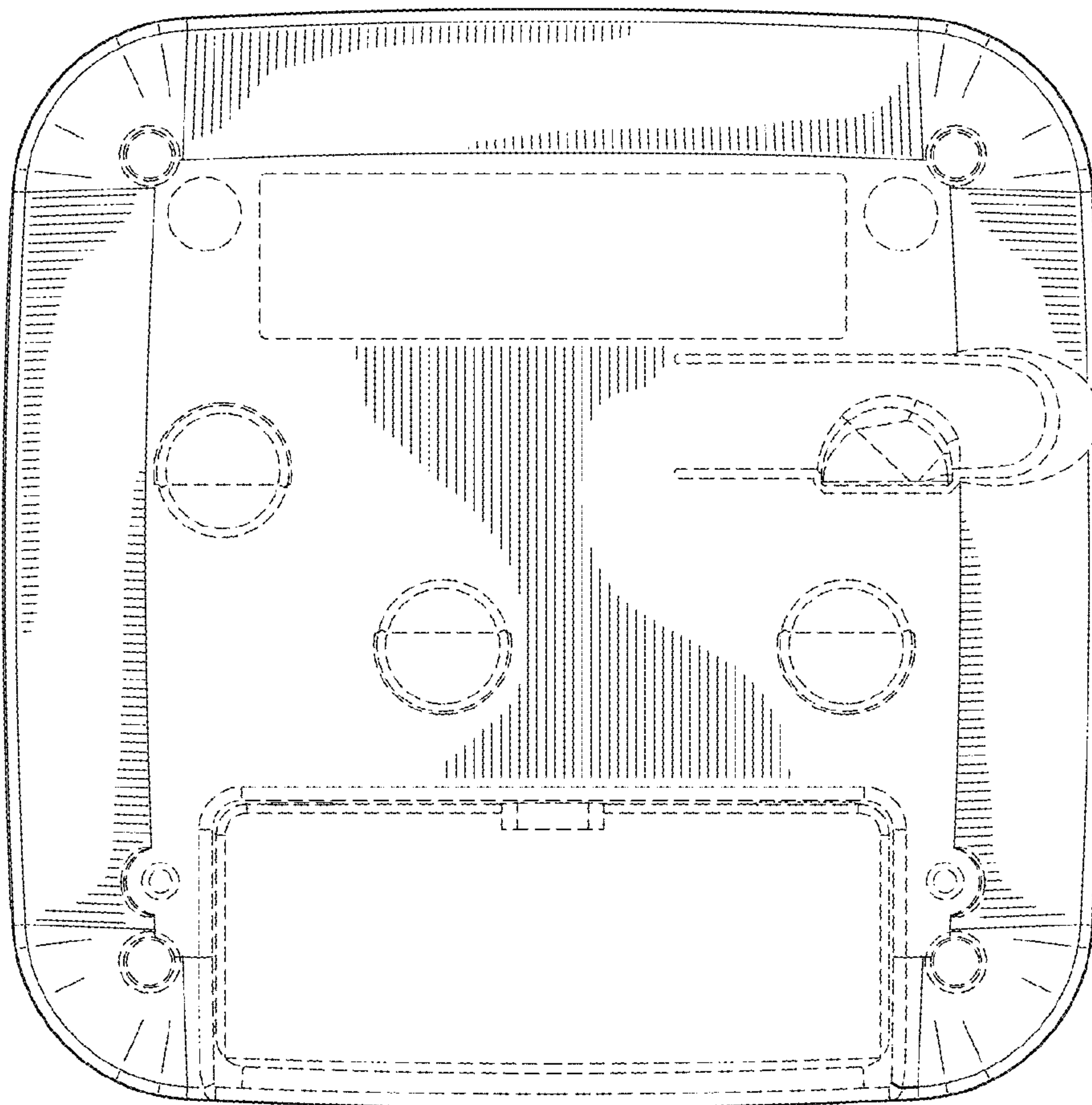


FIG. 7