



US00D694230S

(12) **United States Design Patent**
Wolf

(10) **Patent No.:** **US D694,230 S**

(45) **Date of Patent:** **** Nov. 26, 2013**

(54) **COMPUTER HOUSING**

(71) Applicant: **AIO Europe B.V.**, Rotterdam (NL)

(72) Inventor: **Tim Wolf**, Rotterdam (NL)

(73) Assignee: **AIO Europe B.V.**, Rotterdam (NL)

(**) Term: **14 Years**

(21) Appl. No.: **29/440,104**

(22) Filed: **Dec. 19, 2012**

(51) **LOC (9) Cl.** **14-02**

(52) **U.S. Cl.**
USPC **D14/314; D21/332**

(58) **Field of Classification Search**
USPC D14/300, 302, 308, 349–356, 371;
D13/162, 184, 199; 312/223.1–223.3,
312/351.11; 360/99.01–99.12;
369/34.01–36.01; 361/679.31–679.33;
D21/300, 332, 324

See application file for complete search history.

(56) **References Cited**

U.S. PATENT DOCUMENTS

D254,735 S * 4/1980 Pycha D14/356
5,884,988 A * 3/1999 Foo et al. 312/223.2
D434,033 S * 11/2000 Ho D14/337

D468,737 S * 1/2003 Chien et al. D14/349
D511,159 S * 11/2005 Su et al. D14/300
D511,772 S * 11/2005 Su et al. D14/300
D514,556 S * 2/2006 Rising D14/300
D575,778 S * 8/2008 Dearborn et al. D14/349
D617,788 S * 6/2010 Crisp et al. D14/301
D645,042 S * 9/2011 Lee et al. D14/349

* cited by examiner

Primary Examiner — Freda S Nunn

(74) *Attorney, Agent, or Firm* — Ming Chow; Sinorica, LLC

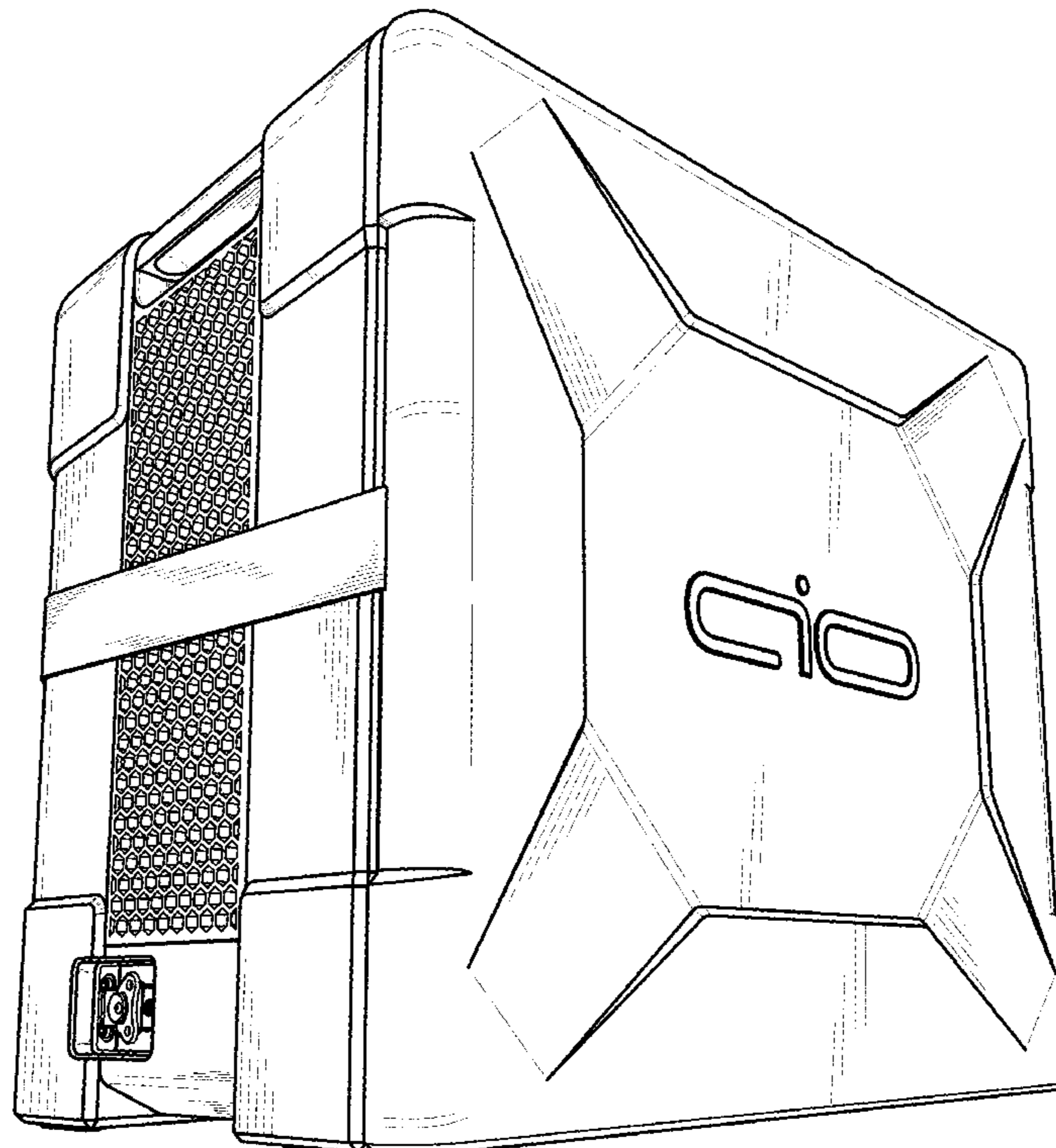
(57) **CLAIM**

The ornamental design for a computer housing, as shown and described.

DESCRIPTION

FIG. 1 is a front perspective view of a computer housing of the new design;
FIG. 2 is a back perspective view thereof;
FIG. 3 is a top view thereof;
FIG. 4 is a bottom view thereof;
FIG. 5 is a front view thereof;
FIG. 6 is a rear view thereof;
FIG. 7 is a left-side view thereof; and,
FIG. 8 is a right-side view thereof.

1 Claim, 7 Drawing Sheets



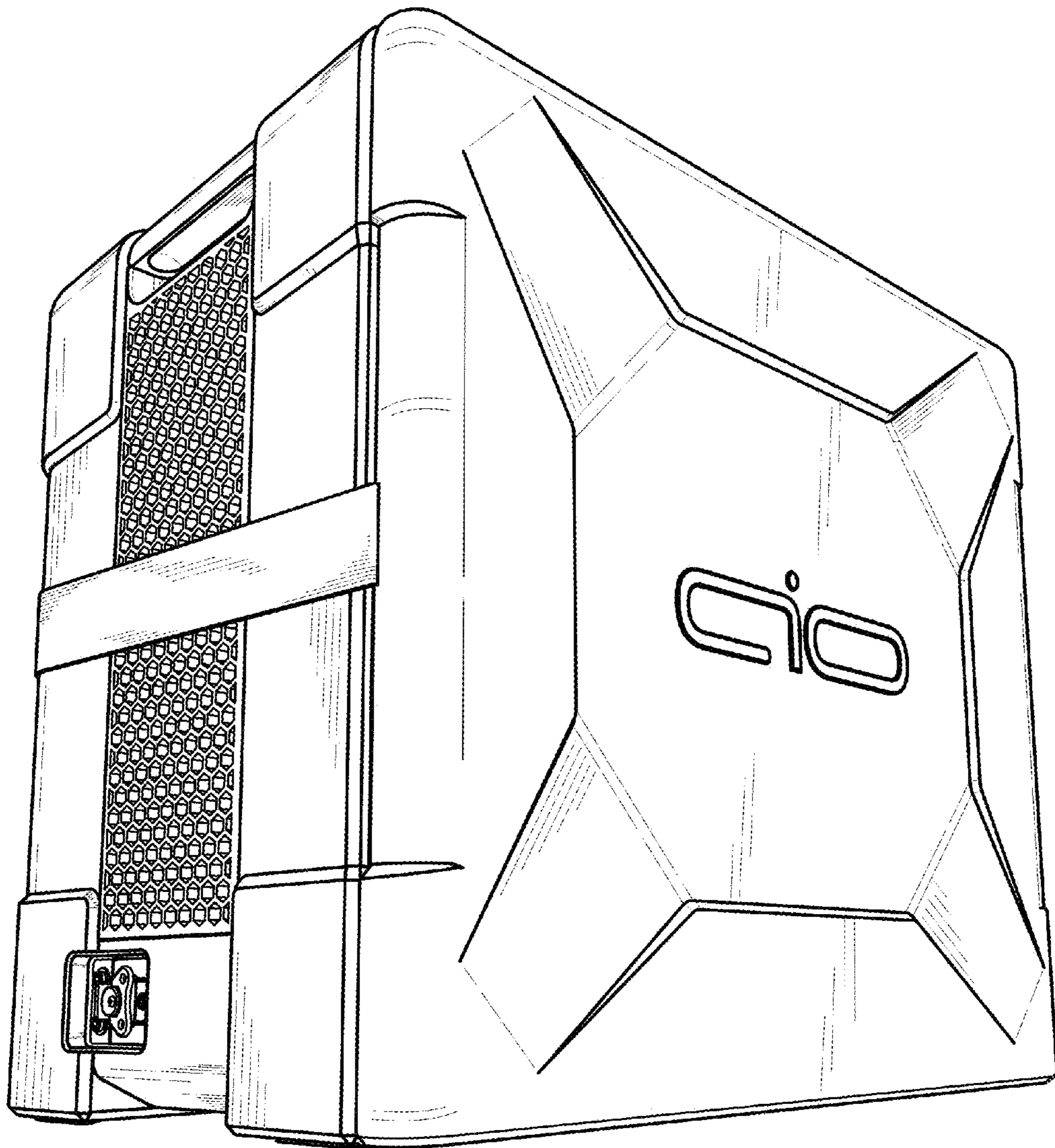


Fig. 1

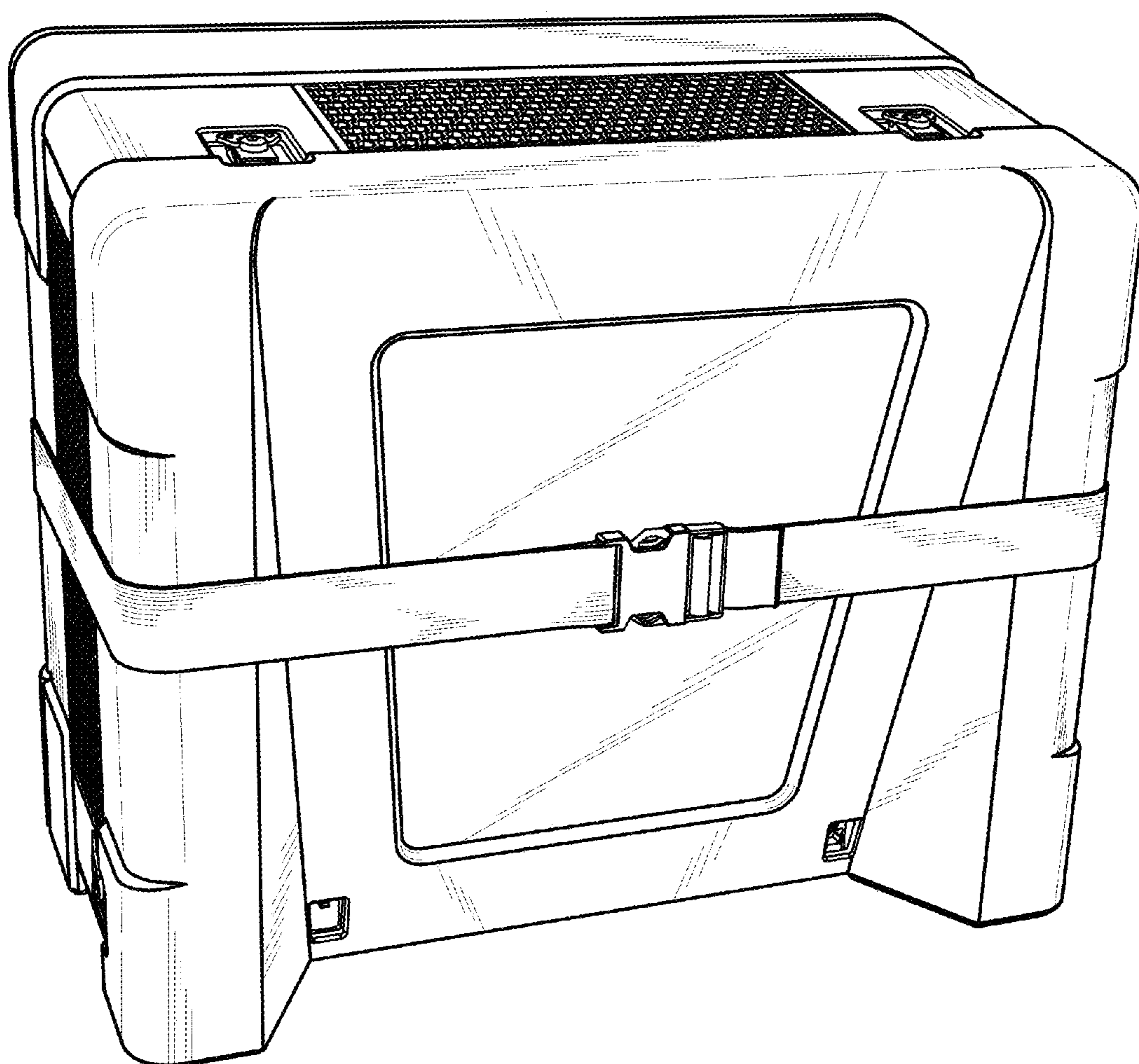


Fig.2

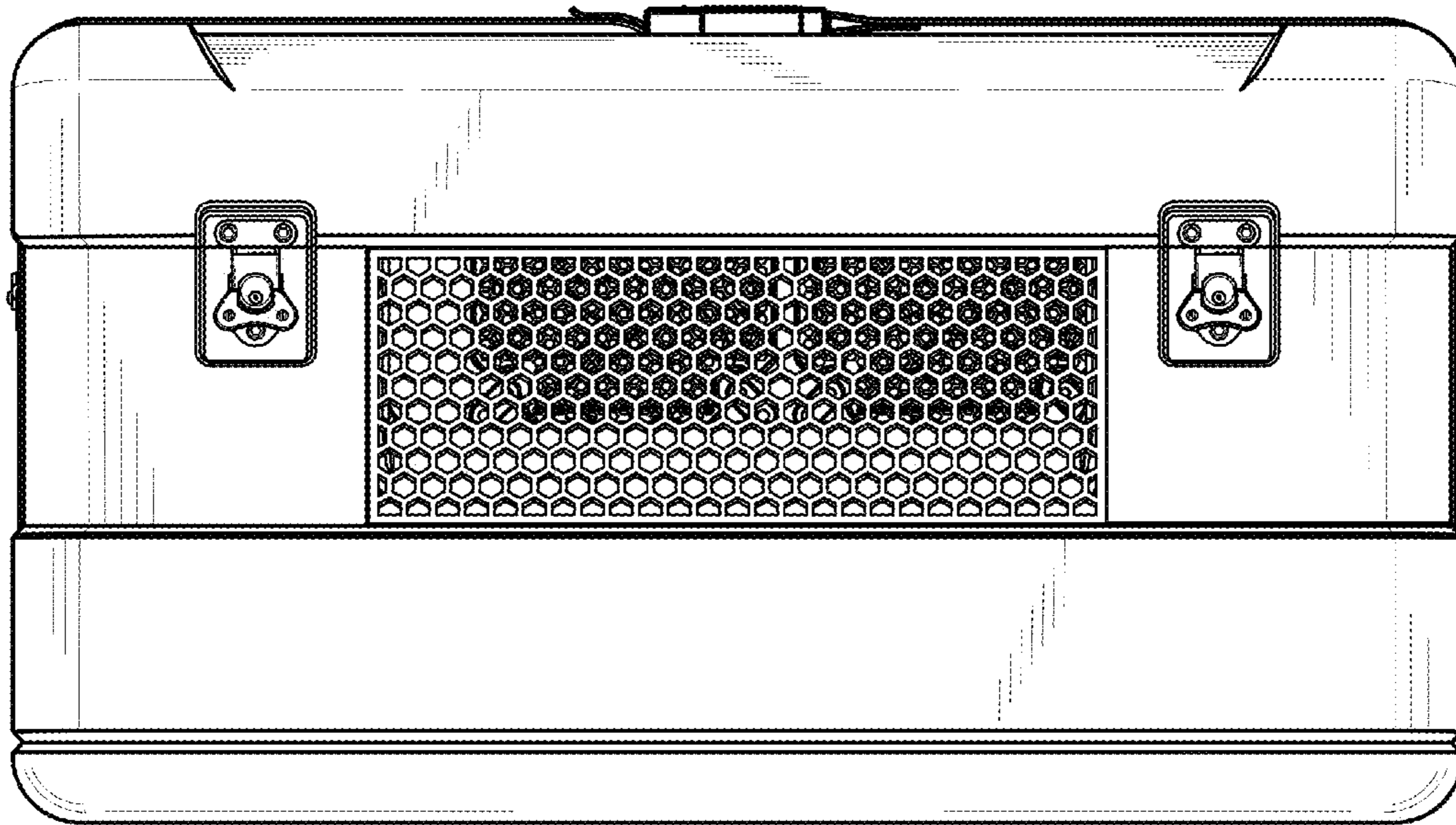


Fig.3

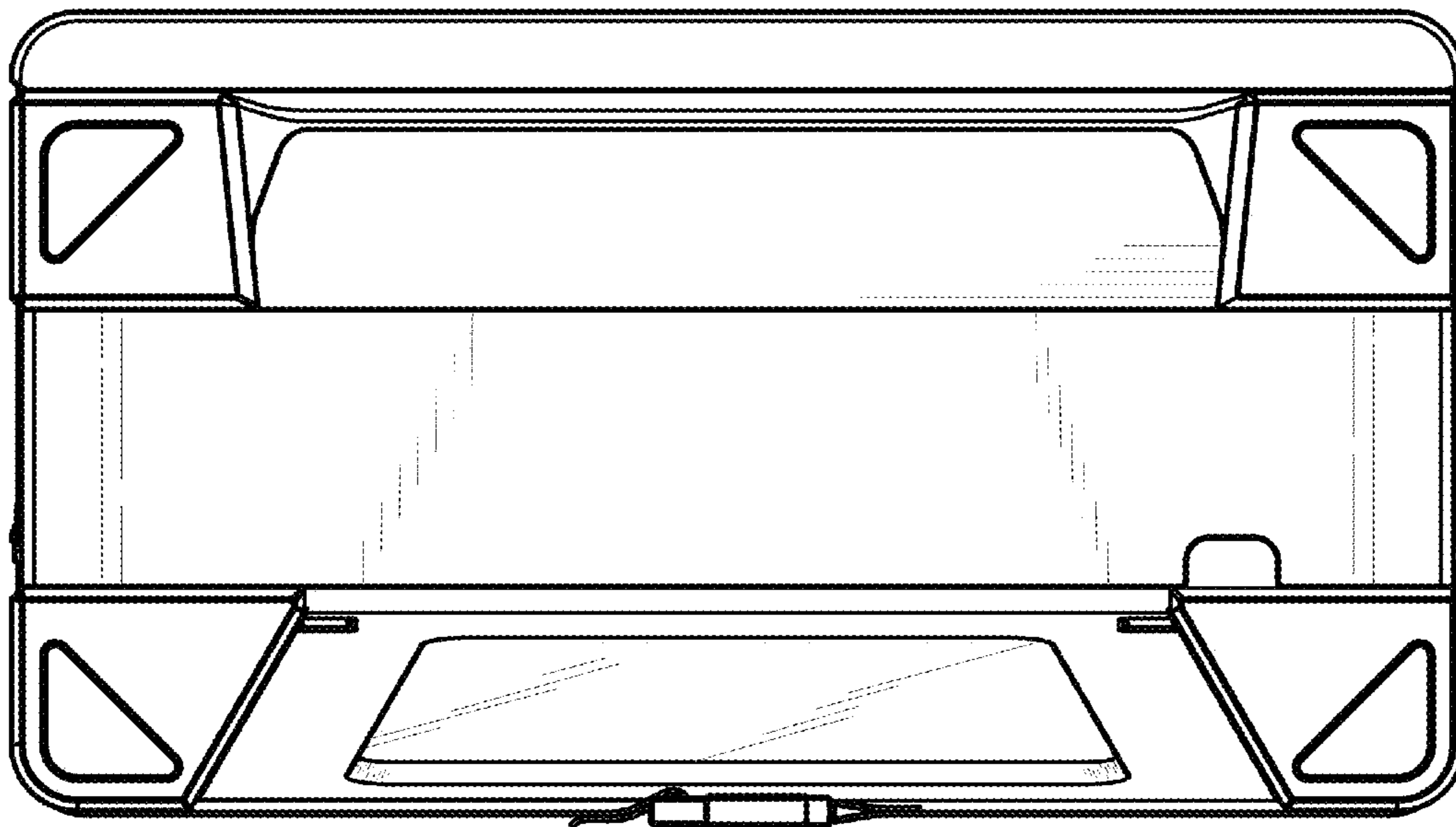


Fig.4

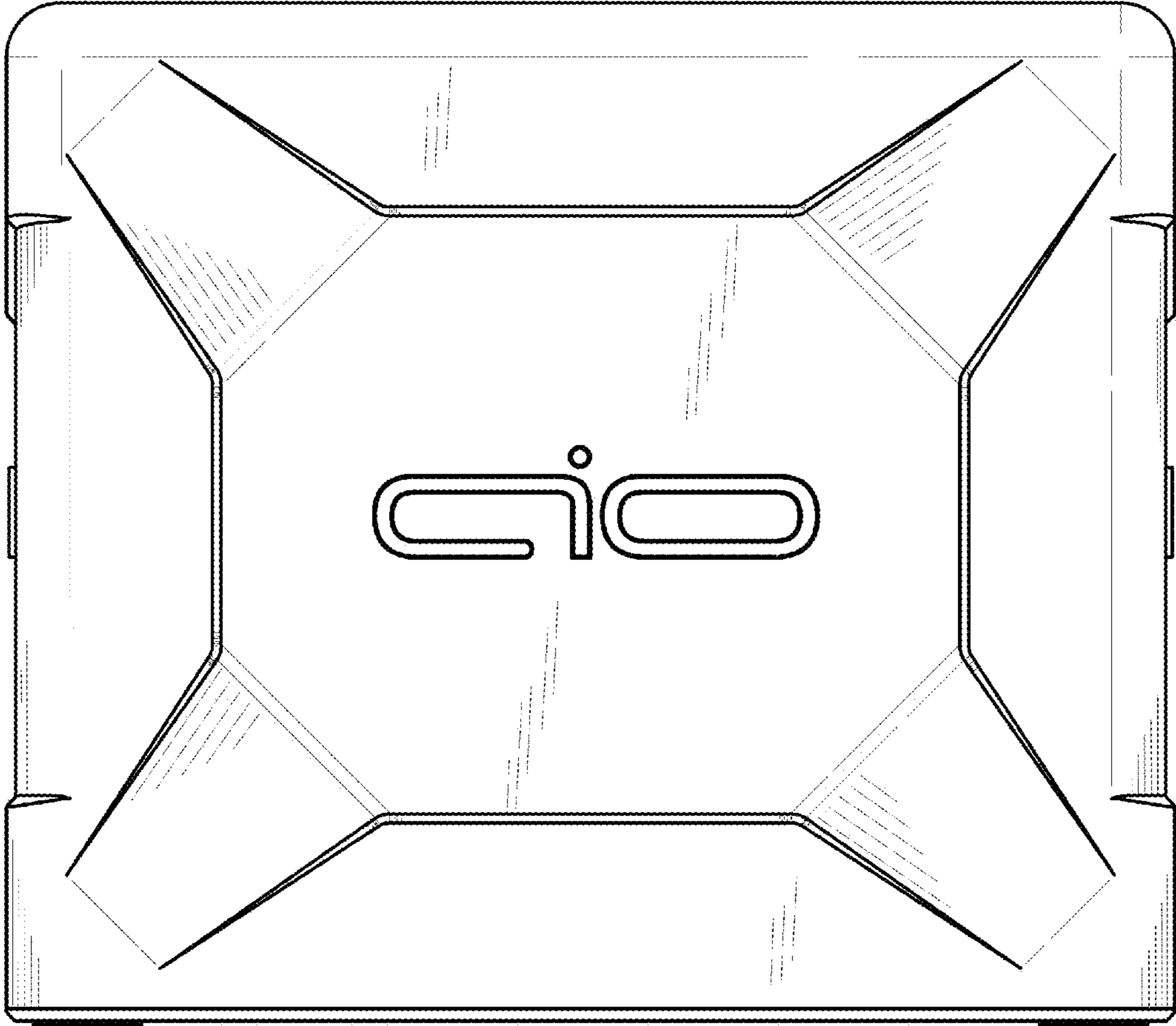


Fig.5

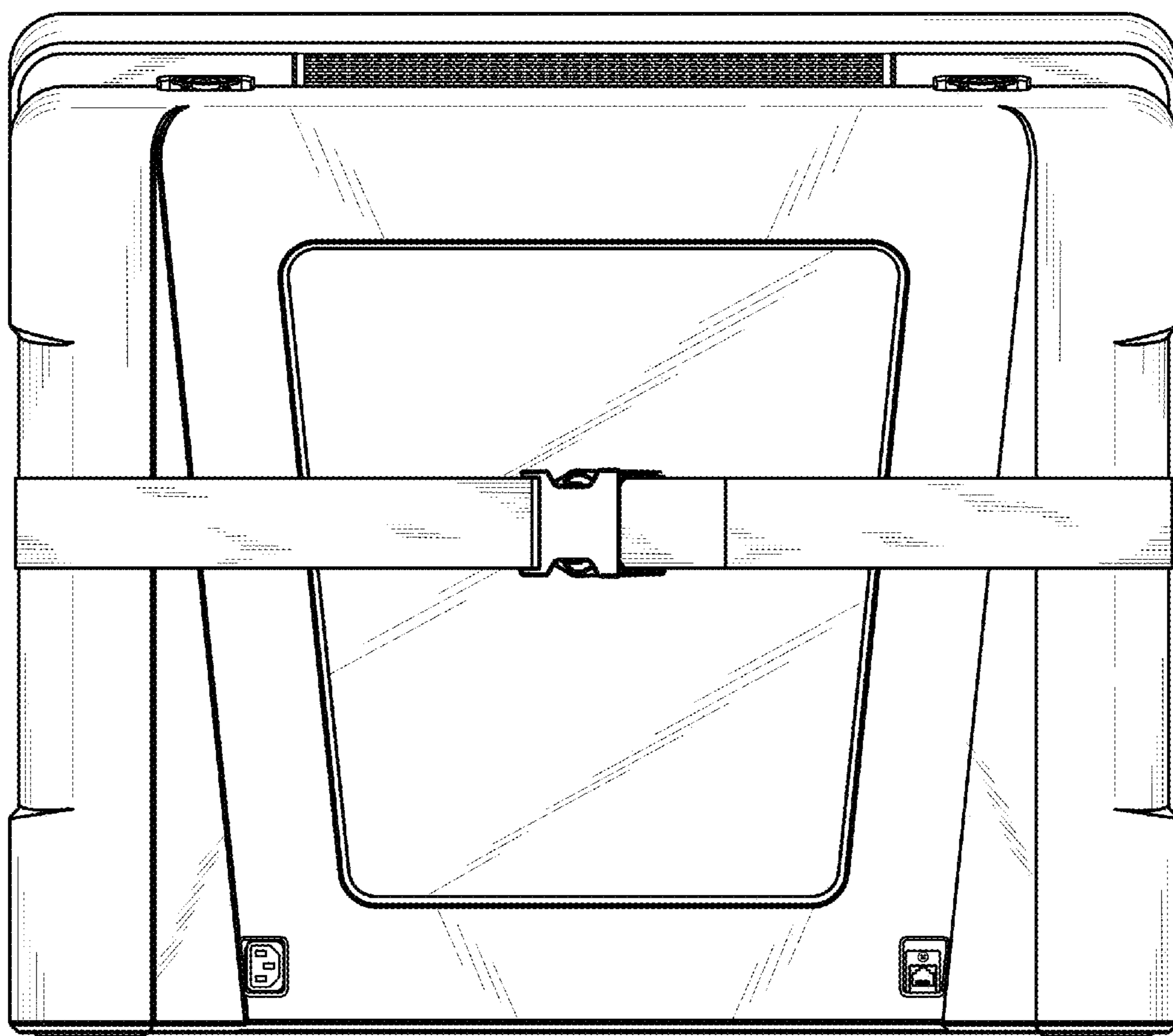


Fig.6

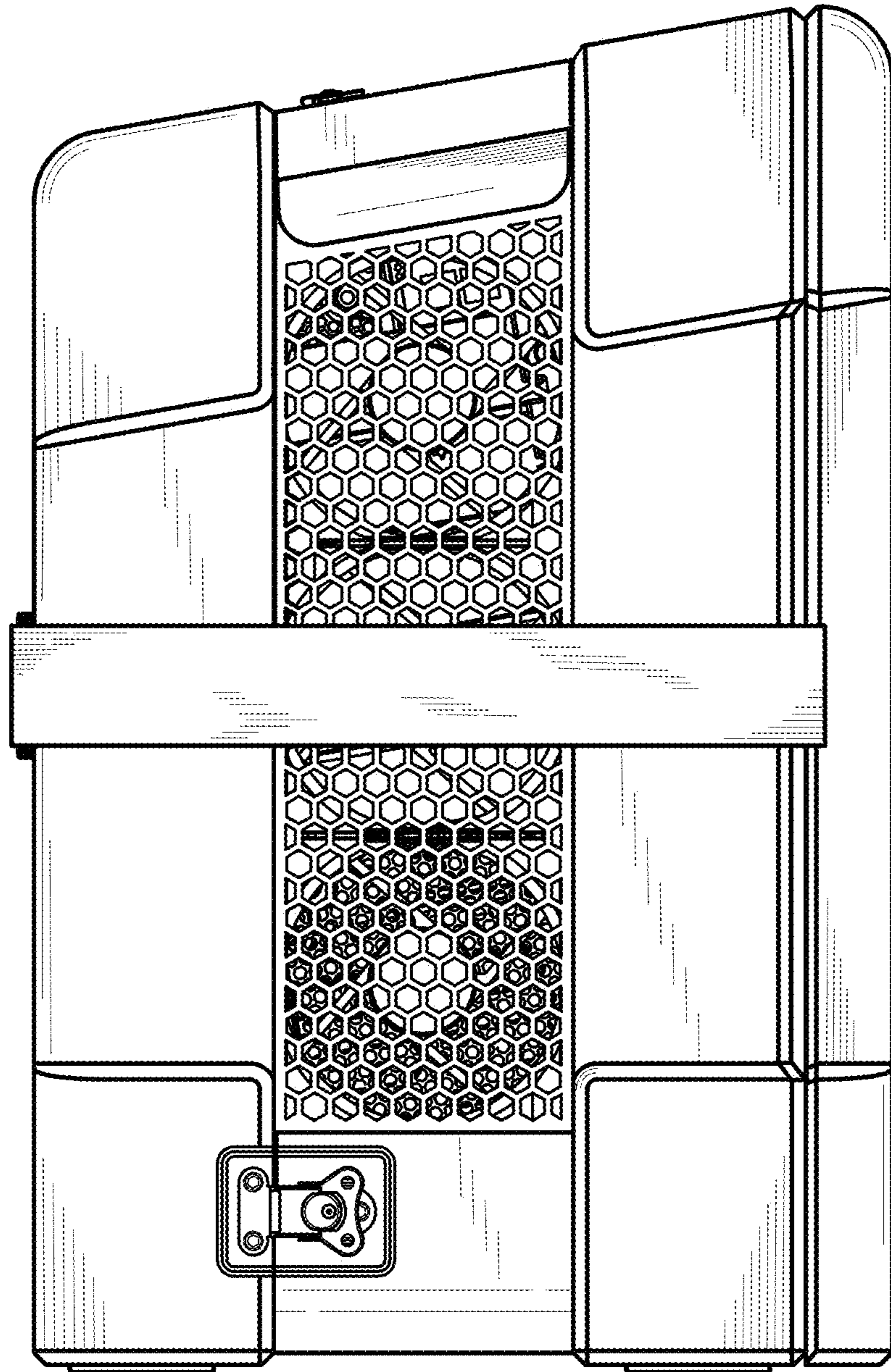


Fig.7

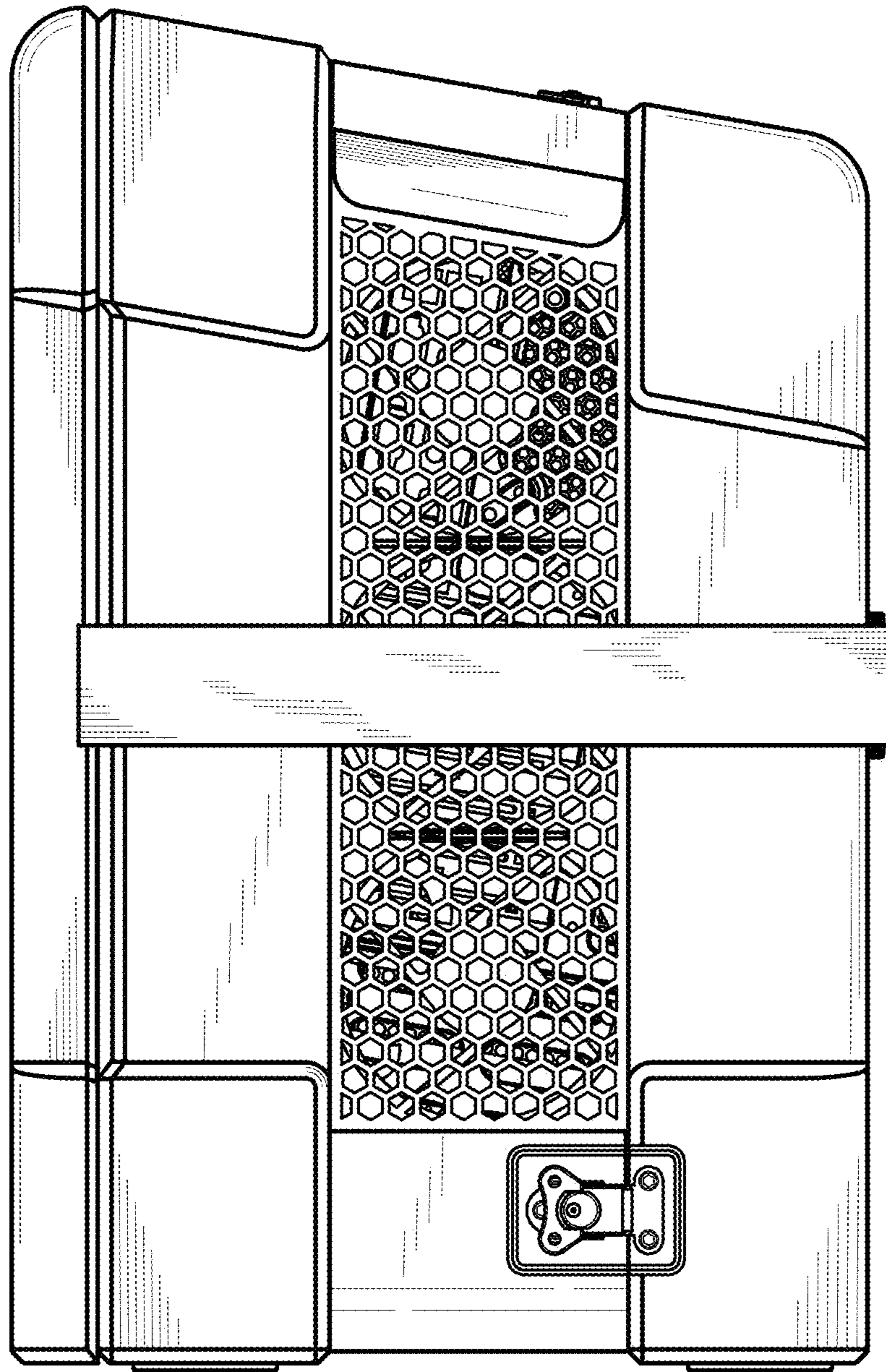


Fig.8