



US00D694226S

(12) **United States Design Patent**  
**Thompson et al.**

(10) **Patent No.:** **US D694,226 S**  
(45) **Date of Patent:** **\*\* Nov. 26, 2013**

(54) **CASE FOR A PORTABLE ELECTRONIC DEVICE**

D603,838 S 11/2009 Willis  
D614,603 S \* 4/2010 Skillings ..... D14/217  
7,731,191 B2 6/2010 Sternberg

(75) Inventors: **Hunter S. Thompson**, Austin, TX (US);  
**Jamie L. Thompson**, Austin, TX (US);  
**James W. Thompson**, Austin, TX (US);  
**Frazier Newlin**, Austin, TX (US)

(Continued)

(73) Assignee: **Rubicon Communications, LP**, Austin, TX (US)

**OTHER PUBLICATIONS**

Nathan Sawaya BrickArtist iPhone, posted Sep. 2007, <URL:http://brickartist.com/gallery/iphone/?tag=technology>, retrieved from internet on Jun. 30, 2013.\*

(Continued)

(\*\*) Term: **14 Years**

*Primary Examiner* — Carla Jobe Wright

(21) Appl. No.: **29/390,892**

(74) *Attorney, Agent, or Firm* — Meyertons, Hood, Kivlin, Kowert & Goetzel, P.C.; Eric B. Meyertons

(22) Filed: **Apr. 29, 2011**

(57) **CLAIM**

(51) **LOC (9) Cl.** ..... **14-03**

The ornamental design for a case for a portable electronic device, as shown and described.

(52) **U.S. Cl.**

**DESCRIPTION**

USPC ..... **D14/250**

(58) **Field of Classification Search**

USPC ..... D14/250–253, 440, 203.3–203.7, 217, D14/496, 248, 238.1, 240, 447; D3/201, D3/218, 269, 301, 273, 303, 103, 247; D13/103, 107–108, 119; 220/4.02; 248/309.1, 371, 176.3, 668; 361/679.56, 679.3, 679.25, 816; 379/426, 433.11, 455; 455/575.1, 455/575.8; 206/305, 320; 345/173

See application file for complete search history.

FIG. 1 is a rear-bottom-right perspective view of a case for a portable electronic device.

FIG. 2 is a front-bottom-left perspective view of the case for a portable electronic device.

FIG. 3 is a rear view of the case for a portable electronic device.

FIG. 4 is a right view of the case for a portable electronic device.

FIG. 5 is a left view of the case for a portable electronic device.

FIG. 6 is a front view of the case for a portable electronic device.

FIG. 7 is a top view of the case for a portable electronic device; and,

FIG. 8 is a bottom view of the case for a portable electronic device.

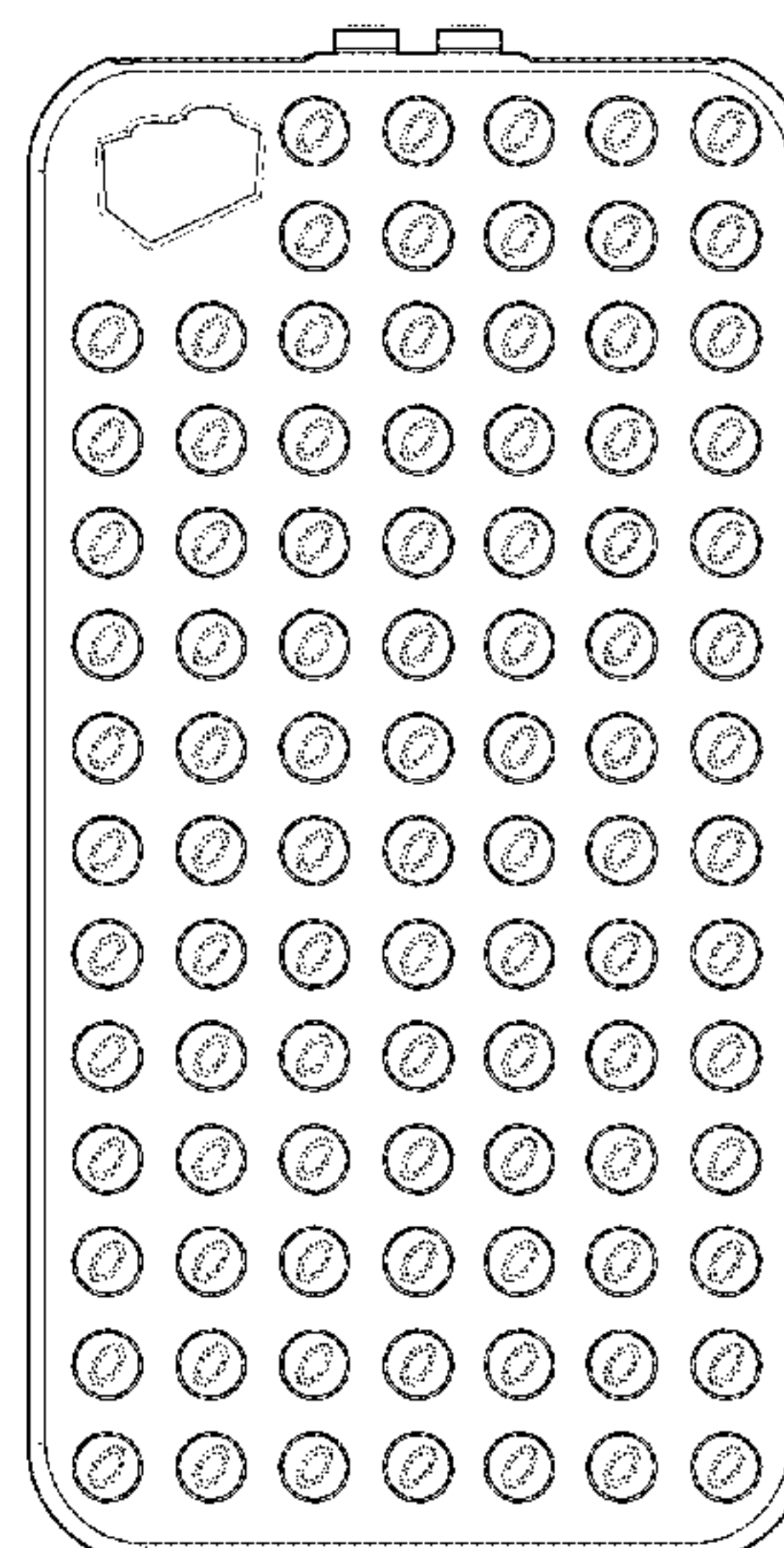
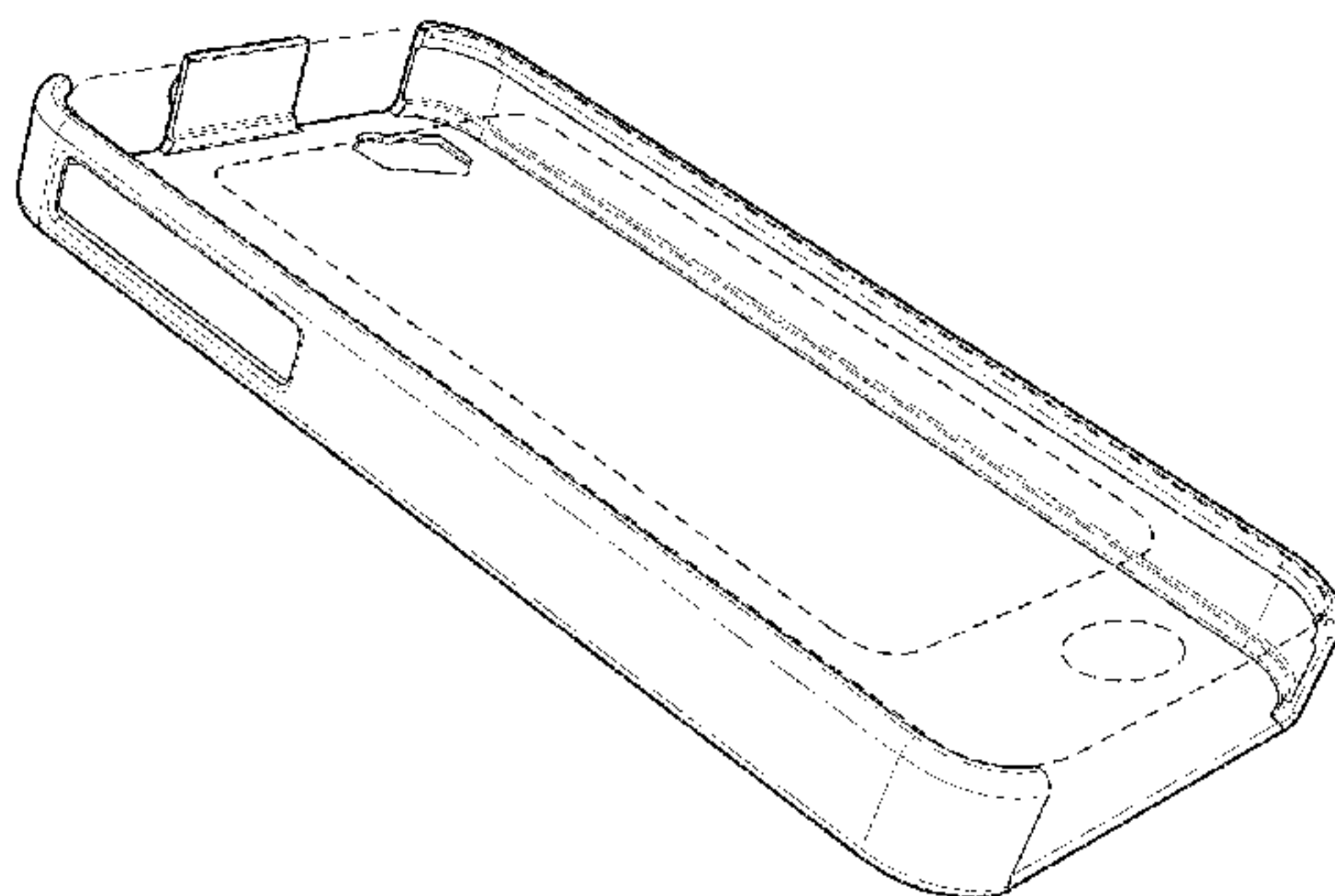
In the drawings, all broken lines on the interior portion of the case in FIG. 2 and the broken lines on the surfaces of the round protruding features throughout the drawings, depict unclaimed environment.

(56) **References Cited**

**U.S. PATENT DOCUMENTS**

3,005,282	A	10/1961	Christiansen	
D244,632	S	6/1977	Christiansen	
D260,568	S *	9/1981	Cherry	D3/314
D525,986	S *	8/2006	Kim	D14/203.3
D528,126	S *	9/2006	Kim	D14/203.3
D539,539	S *	4/2007	Braden	D14/203.7
D540,539	S	4/2007	Gutierrez	
D570,593	S *	6/2008	Justiss	D3/201
7,586,032	B2	9/2009	Louis	

**1 Claim, 4 Drawing Sheets**



(56)

References Cited

U.S. PATENT DOCUMENTS

7,938,260	B2 *	5/2011	Lin	.....	206/320
D644,633	S *	9/2011	Chiu	.....	D14/218
D647,526	S *	10/2011	Vandiver et al.	.....	D14/440
8,091,892	B2	1/2012	Sternberg		
D654,900	S *	2/2012	Jung	.....	D14/138 G
D656,929	S *	4/2012	Hsiung	.....	D14/250
D658,373	S *	5/2012	Gros	.....	D3/273
D666,417	S *	9/2012	Phillips et al.	.....	D3/303
D668,246	S *	10/2012	Fathollahi	.....	D14/250
D669,458	S *	10/2012	Wilson et al.	.....	D14/250
D671,933	S *	12/2012	Rodgers	.....	D14/250
D673,159	S *	12/2012	McCarthy et al.	.....	D14/440
D674,798	S *	1/2013	Kim et al.	.....	D14/440
2003/0082986	A1	5/2003	Wiens et al.		
2011/0049005	A1	3/2011	Wilson et al.		
2012/0261289	A1 *	10/2012	Wyner et al.	.....	206/320
2012/0274195	A1 *	11/2012	Thompson et al.	.....	312/237

OTHER PUBLICATIONS

U.S. Appl. No. 29/390,894, filed Apr. 29, 2011.  
 Jerry Hildenbrand “Android gives eyes, ears, and a sense of direction to a Lego NXT robot” published Jul. 9, 2010 downloaded from [www.androidcentral.com/android-gives-eyes-ears-and-sense-direction-lego-nxt-robot](http://www.androidcentral.com/android-gives-eyes-ears-and-sense-direction-lego-nxt-robot), pp. 1-2.  
 Al Hilal “Digital Blue’s Lego MP3 Player” published Apr. 18, 2009, [trendygadget.com](http://trendygadget.com), pp. 1-9.  
 “Lego iPad Stand” discussion posted Aug. 24, 2010 on [www.ifans.com/forums/threads/lego-ipad-stand.307442/](http://www.ifans.com/forums/threads/lego-ipad-stand.307442/) p. 3, pp. 1-5.  
 “Amazon iPod Building Block Portable Speaker Dock” Amazon product page downloaded Mar. 28, 2011 from [www.amazon.com/iPod-Building-Block-Portable-Speaker/dp/B001KYV75W/](http://www.amazon.com/iPod-Building-Block-Portable-Speaker/dp/B001KYV75W/) . . . , pp. 1-4.

“Amazon Lego 2GB MP3 Player” Amazon product page downloaded Mar. 28, 2011 from [www.amazon.com/Digital-Blue-LG14000-Lego-Player/dp/B002L619ZE/](http://www.amazon.com/Digital-Blue-LG14000-Lego-Player/dp/B002L619ZE/) . . . , pp. 1-5.  
 Roland Hutchinson “Fun Gadgets—The Lego Phone”, published Mar. 21, 2008, [www.geeky-gadgets.com/fun-gadgets-the-lego-phone/](http://www.geeky-gadgets.com/fun-gadgets-the-lego-phone/), pp. 1-4.  
 Jerry M. Hatfield, John T. Tester “Lego Plus”, Proceedings of the 2005 American Society for Engineering Education Annual Conference & Exposition, pp. 1-5.  
 Todd Ripplinger “The ‘Legobox’” Published Jan. 8, 2002, [mini-itx.com/projects/legobox/](http://mini-itx.com/projects/legobox/), pp. 1-5.  
 “Lego Xbox Case” discussion posted Feb. 21-Mar. 2, 2005, [forums.xbox-scene.com/.../t360699](http://forums.xbox-scene.com/.../t360699), pp. 1-8.  
 David R. Van Wagner “On Screen Programming version 1.0 for Lego Mindstorms” Copyright 1999, downloaded Mar. 26, 2011 from [alumni.cse.ucsc.edu/~davevw/onscreen/](http://alumni.cse.ucsc.edu/~davevw/onscreen/), pp. 1-4.  
 Timothy S. McNerney “From turtles to Tangible Programming Bricks: explorations in physical language design” Published Jul. 29, 2004 pp. 1-12.  
 “DIY Lego Case Mod PC” Published Aug. 9, 2008 downloaded from [zedomax.com/blog/.../diy-lego-case-mod-pc](http://zedomax.com/blog/.../diy-lego-case-mod-pc) pp. 1-3.  
 Nathan Sawaya, BlackBerry Tour 9630 Artistic in Lego, <http://www.phonesreview.co.uk/2010/03/14/blackberry-tour-9630-artistic-in-lego/>, Mar. 14, 2010. pp. 1-3.  
 Nathan Sawaya, PC Mag Computer—The Art of Brick, <http://brickartist.com/gallery/pc-magazine-computer/?tag=technology>, Feb. 2006. pp. 1-4.  
 U.S. Appl. No. 13/098,106, filed Apr. 29, 2011, Hunter S Thompson et al.  
 Office Action from U.S. Appl. No. 13/098,106, mailed Nov. 6, 2012, Hunter S Thompson, pp. 1-10.  
 Notice of Allowance from U.S. Appl. No. 13/098,106, mailed Apr. 1, 2013, Hunter S Thompson, pp. 1-19.

\* cited by examiner



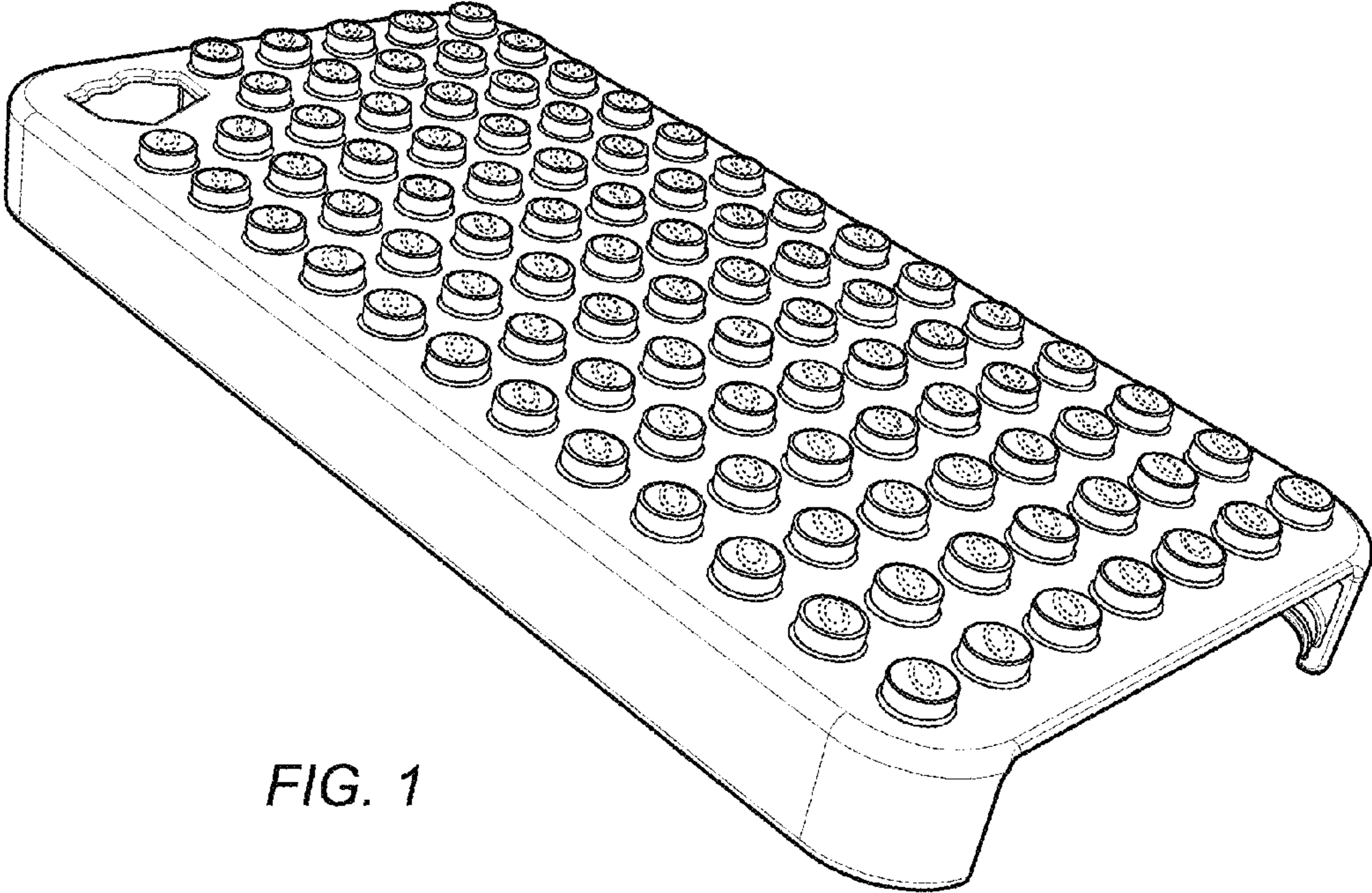


FIG. 1

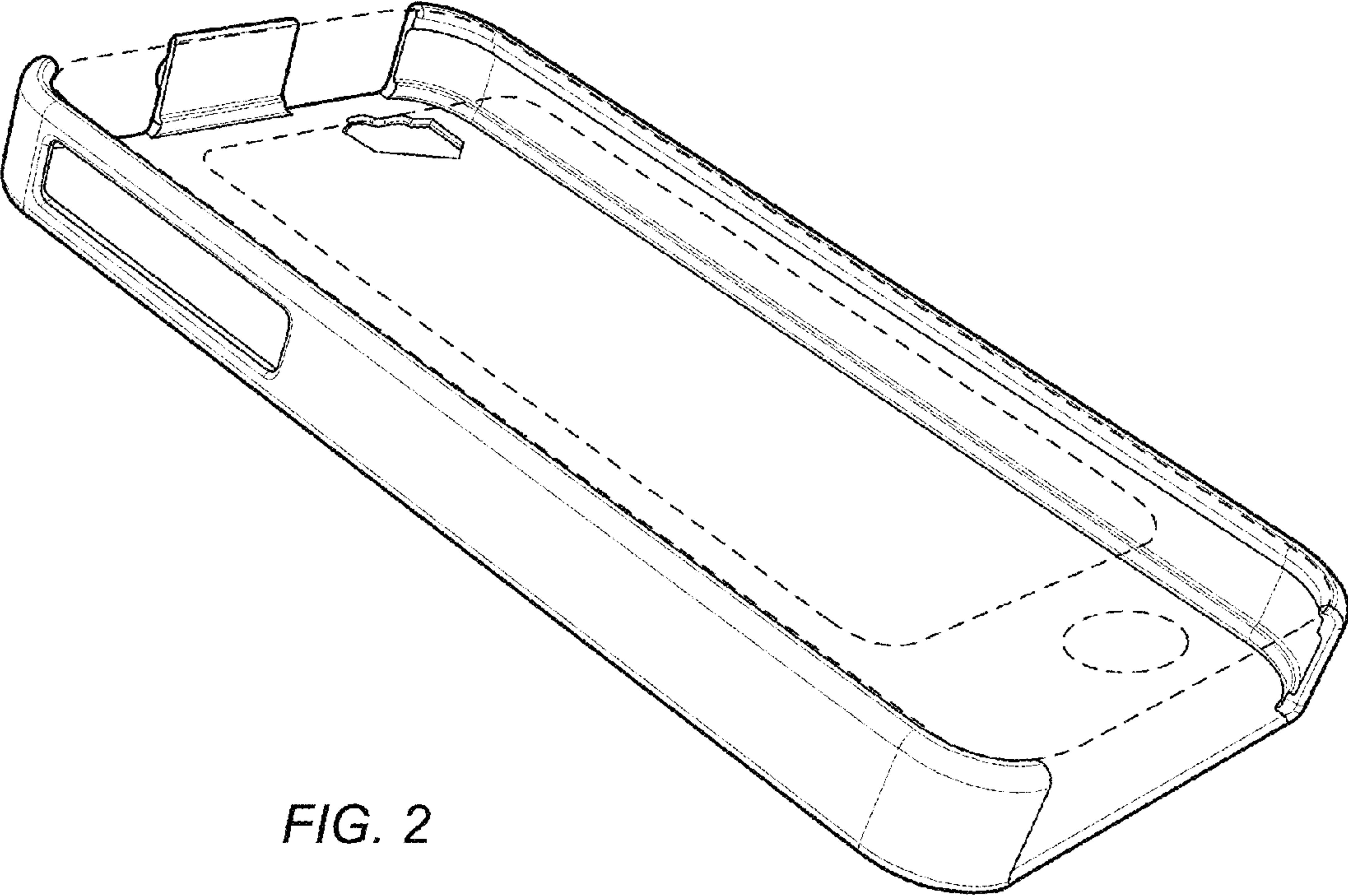


FIG. 2

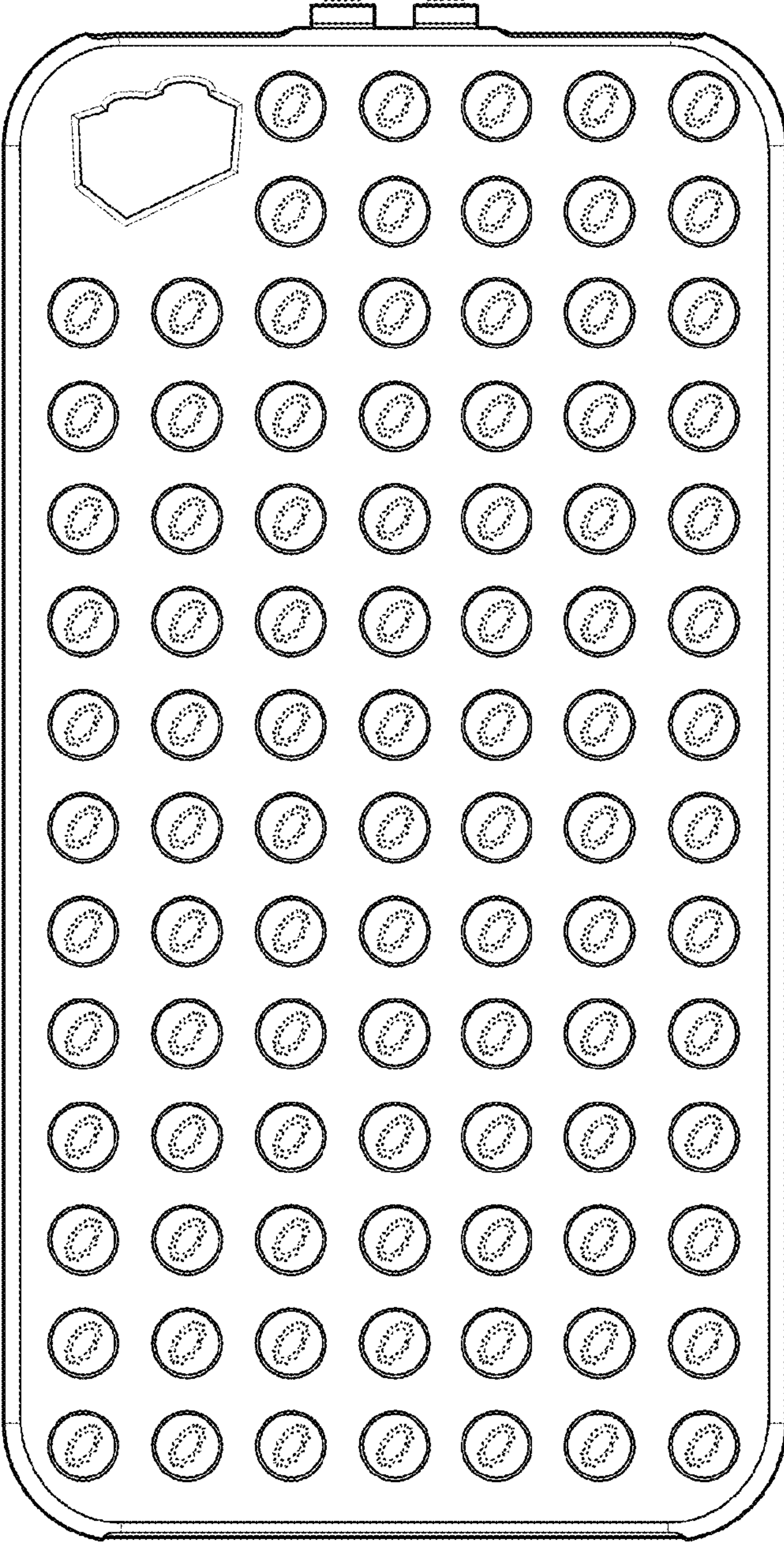


FIG. 3

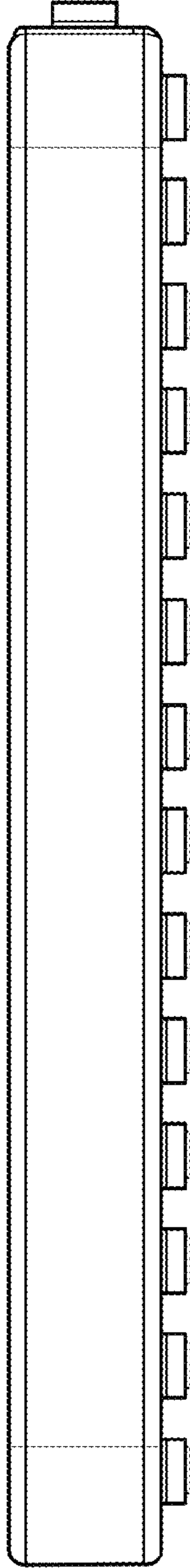


FIG. 4

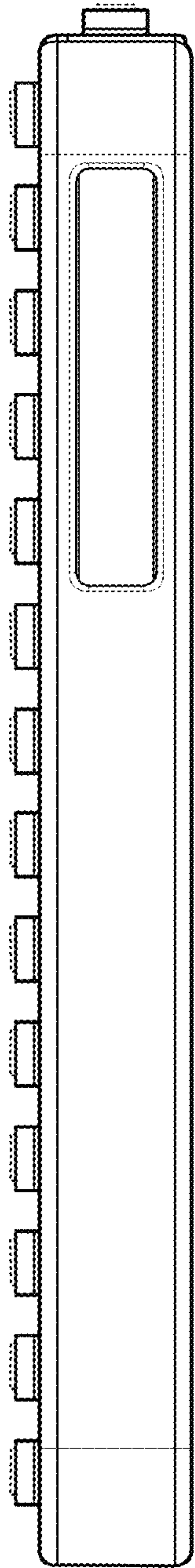


FIG. 5

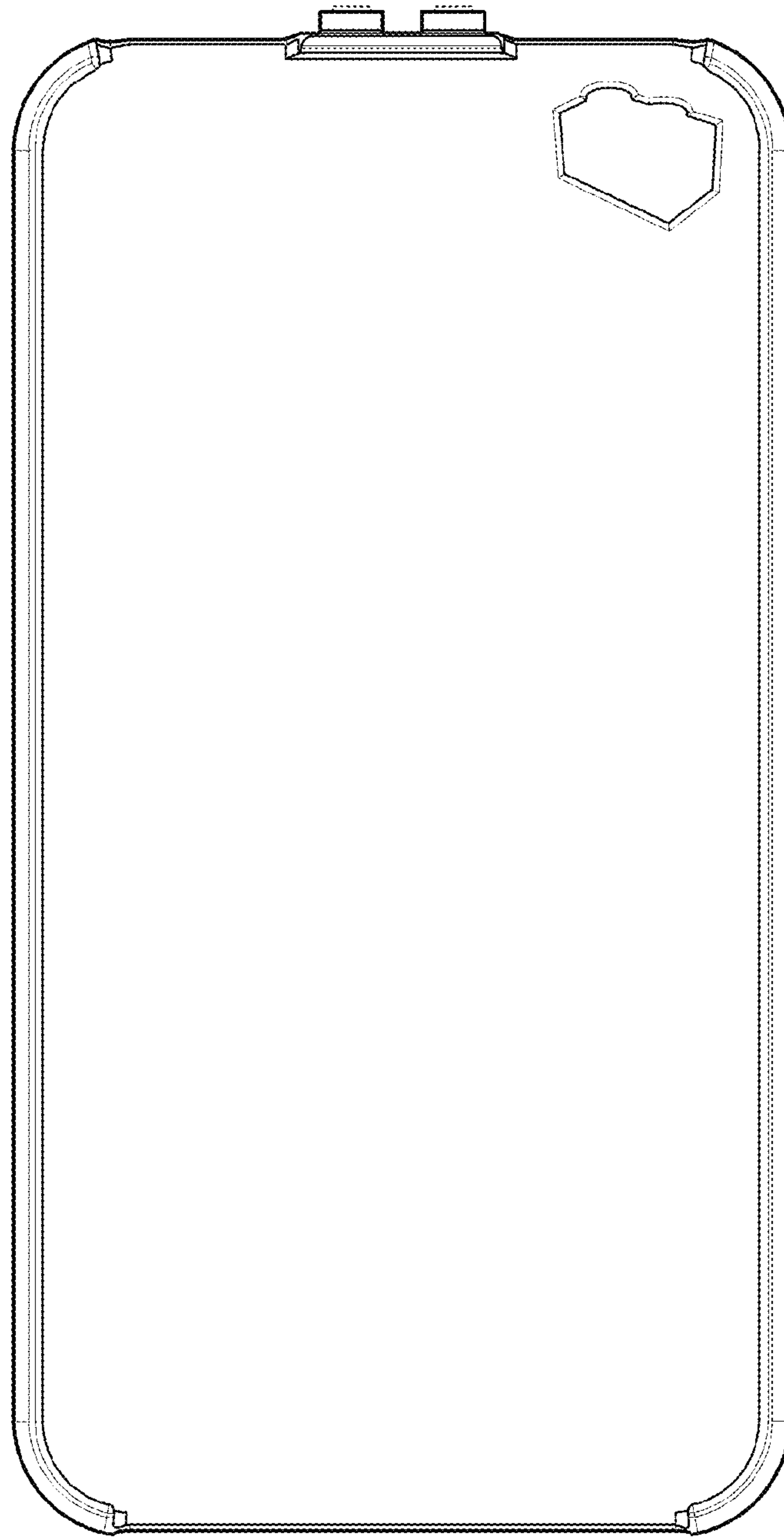


FIG. 6



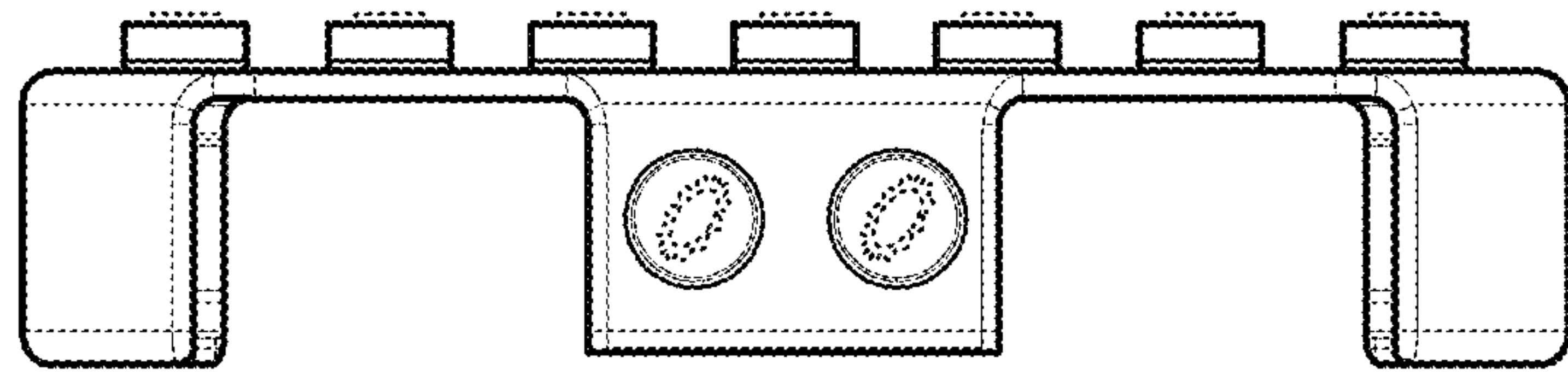


FIG. 7

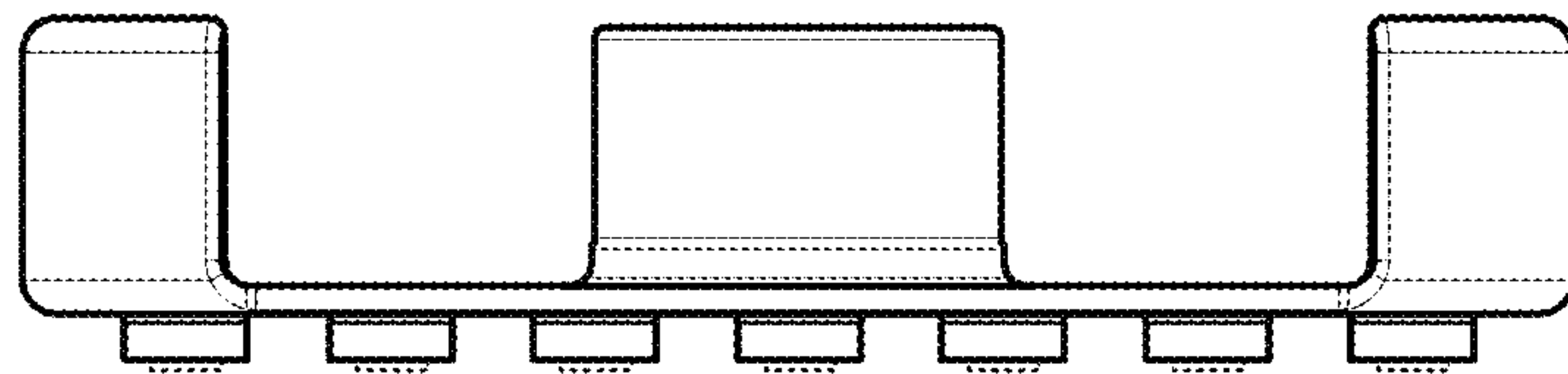


FIG. 8