



US00D694223S

(12) **United States Design Patent**
Wells

(10) **Patent No.:** **US D694,223 S**

(45) **Date of Patent:** **** Nov. 26, 2013**

(54) **MODEM ENCLOSURE**

(75) Inventor: **J. Stephen Wells**, Flowery Branch, GA
(US)

(73) Assignee: **ARRIS Enterprises, Inc.**, Suwanee, GA
(US)

(**) Term: **14 Years**

(21) Appl. No.: **29/394,533**

(22) Filed: **Jun. 17, 2011**

(51) **LOC (9) Cl.** **14-03**

(52) **U.S. Cl.**
USPC **D14/242; D14/435.1**

(58) **Field of Classification Search**
USPC D14/242, 240, 435.1, 357, 358,
D14/140-140.9, 155, 137, 139, 243, 348,
D14/349, 351, 354, 355, 138 AD; 375/222;
455/557; 725/111

See application file for complete search history.

(56) **References Cited**

U.S. PATENT DOCUMENTS

D346,606 S *	5/1994	Harris et al.	D14/242
D365,807 S *	1/1996	Chen	D14/425
D369,149 S *	4/1996	Chang et al.	D14/357
D369,170 S *	4/1996	Beaumont et al.	D14/140.5
D381,647 S *	7/1997	Terng	D14/358
D393,644 S *	4/1998	Cho et al.	D14/240
D424,066 S *	5/2000	Wheatley et al.	D14/240
D463,416 S *	9/2002	Tomino et al.	D14/240

D541,791 S *	5/2007	Shen	D14/240
D620,486 S *	7/2010	Branch et al.	D14/242
2013/0021800 A1*	1/2013	Wells	362/276

* cited by examiner

Primary Examiner — Bridget L Eland

(74) *Attorney, Agent, or Firm* — Troy A. Van Aacken

(57) **CLAIM**

The ornamental design for a modem enclosure, as shown and described.

DESCRIPTION

FIG. 1 is a perspective view of a front side, top side, and left side of a modem enclosure.

FIG. 2 is a perspective view of a rear side, the top side, and a right side of the modem enclosure.

FIG. 3 is a partial enlarged top plan view of the modem enclosure. The partial enlarged bottom plan view of the modem enclosure is a mirror image of the partial enlarged top plan view of the modem enclosure.

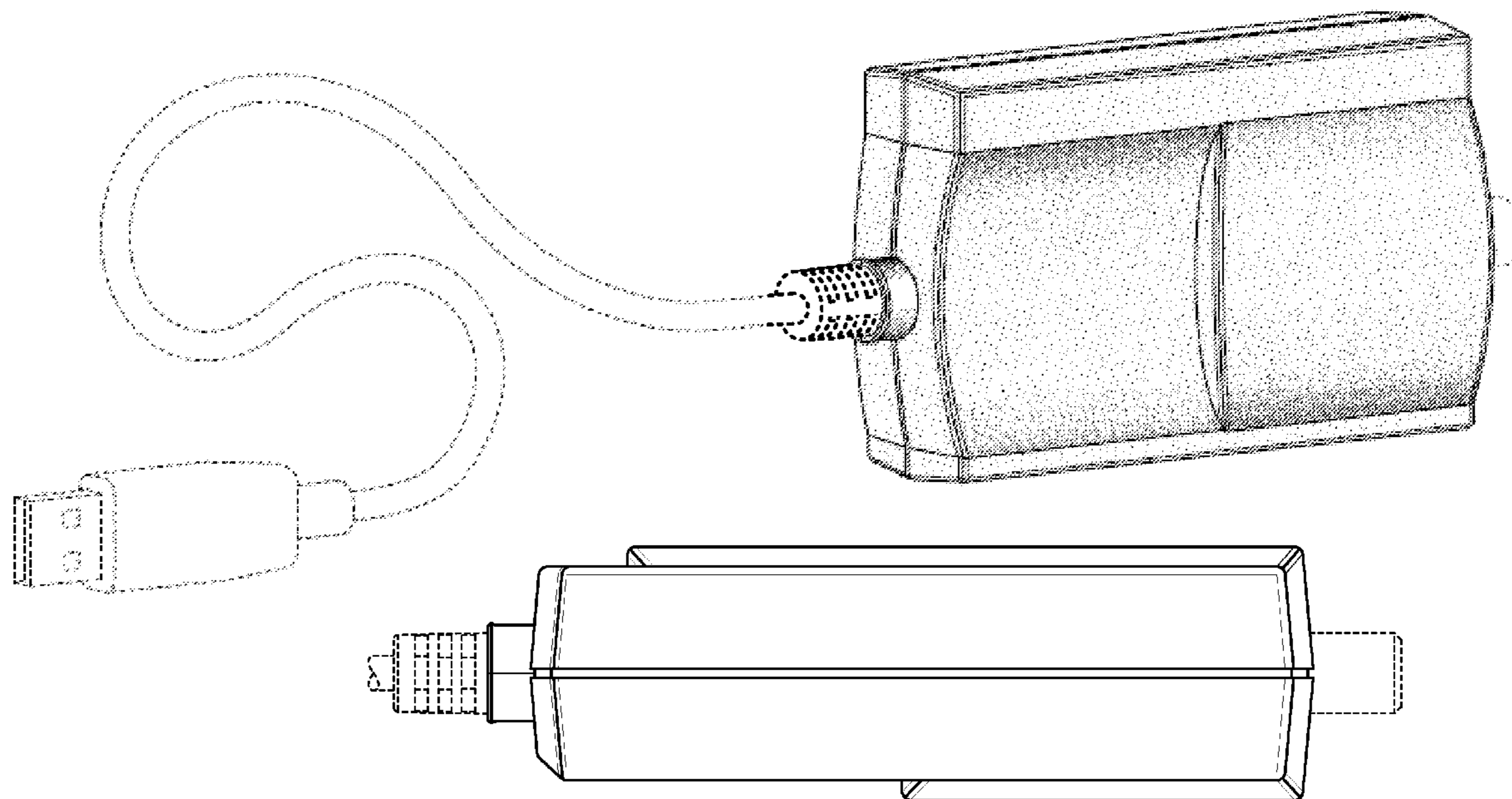
FIG. 4 is a partial enlarged right side elevation view of the modem enclosure; and,

FIG. 5 is a partial enlarged left side elevation view of the modem enclosure.

The broken lines, which show environmental structure in the figures, are for illustrative purposes only and form no part of the claimed design.

The gradations of stipple shading in the FIG. 1 and 2 views are solely intended to represent surface shading.

1 Claim, 3 Drawing Sheets



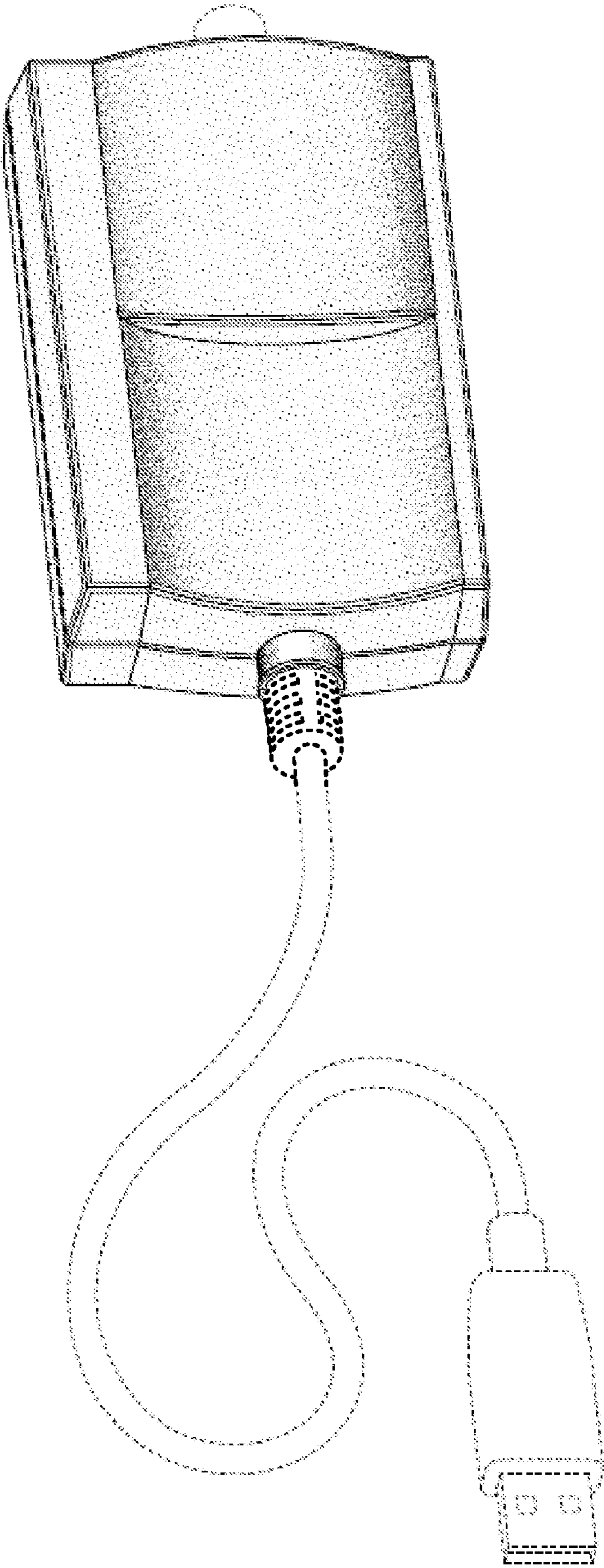


FIG. 1

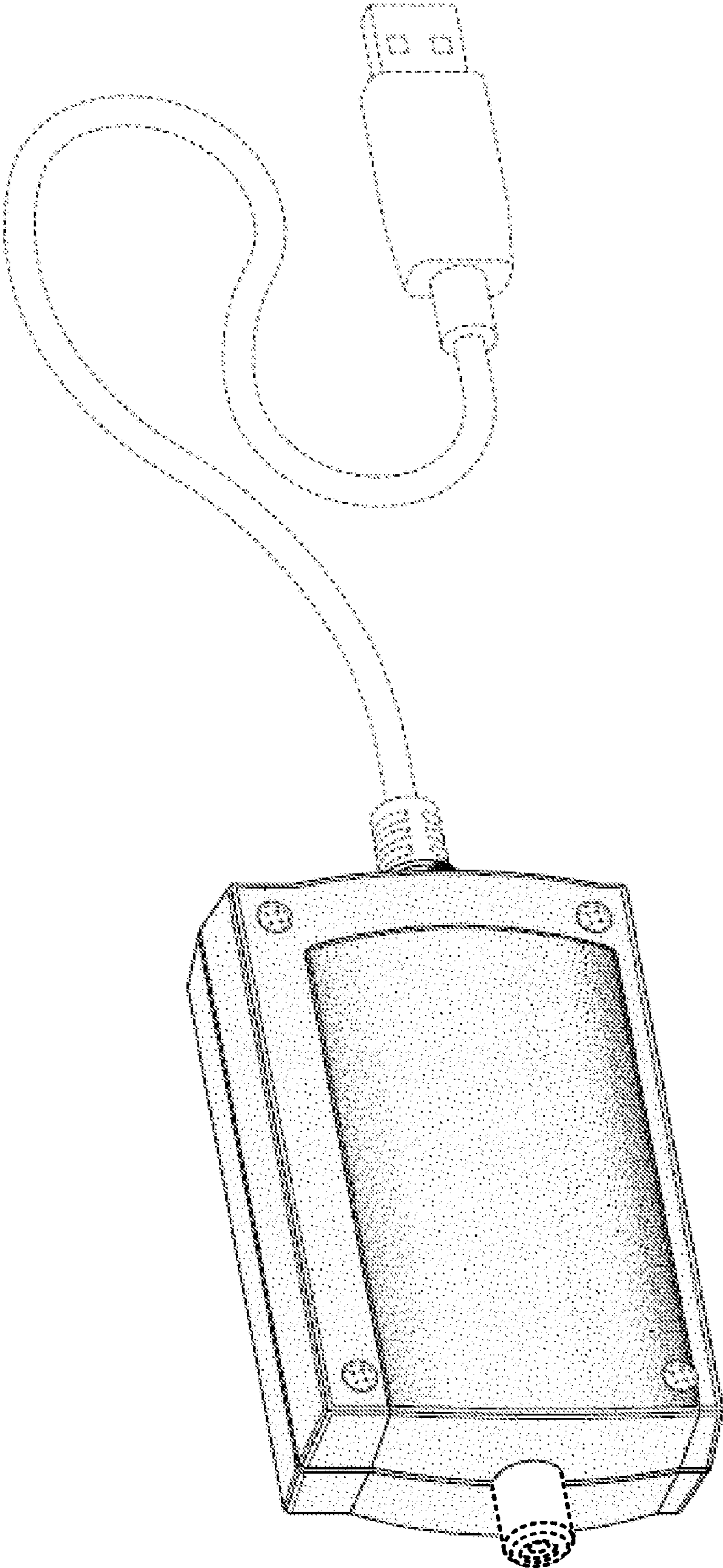


FIG. 2

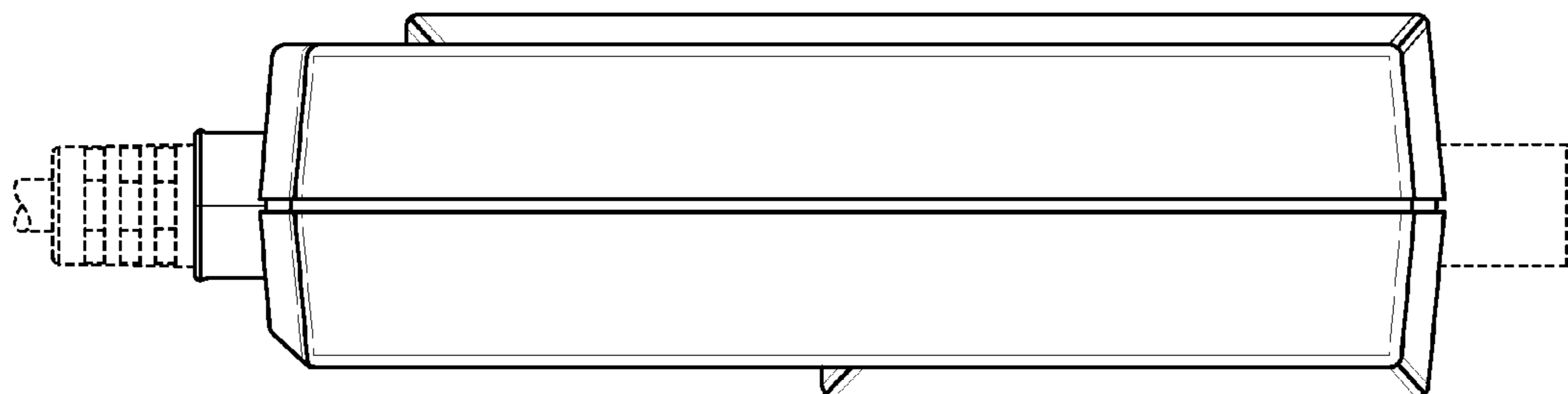


FIG. 3

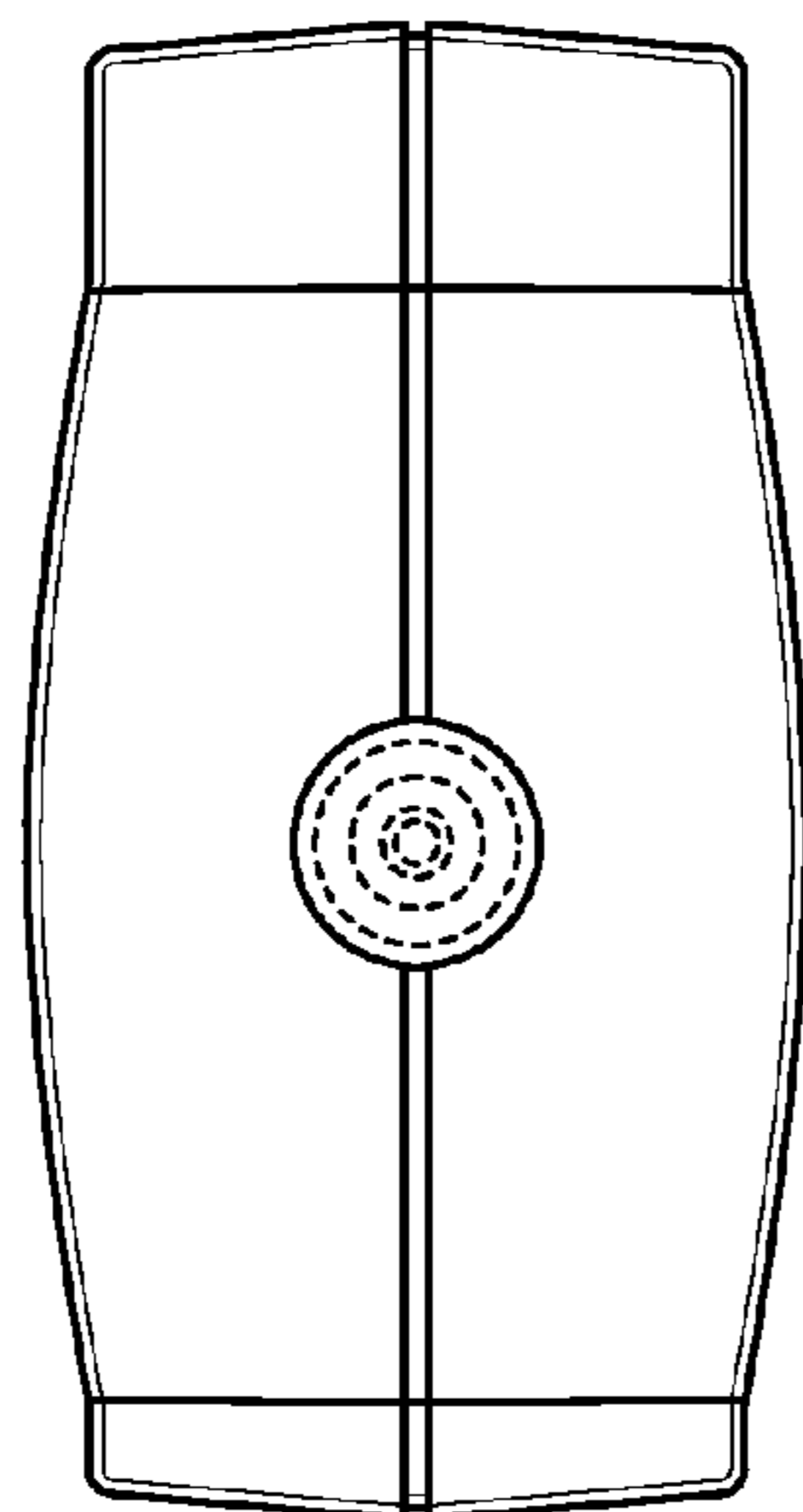


FIG. 4

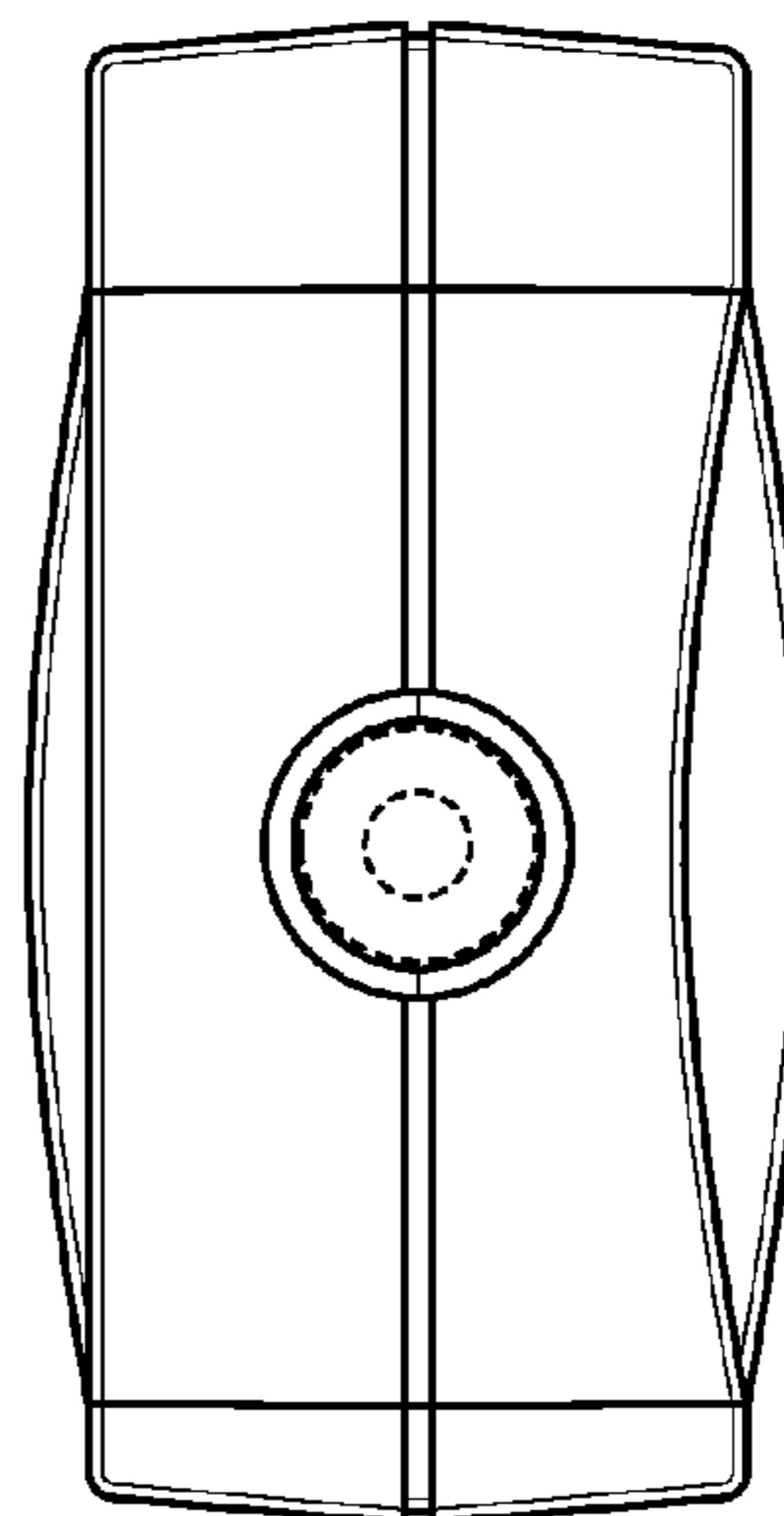


FIG. 5