



US00D694221S

(12) **United States Design Patent**  
**Shears et al.**

(10) **Patent No.:** **US D694,221 S**

(45) **Date of Patent:** **\*\* Nov. 26, 2013**

(54) **MICROPHONE**

(75) Inventors: **Ingrid Annetta Maria Shears**, Mosman (AU); **David William Green**, Mosman (AU)

(73) Assignee: **My Myk Pty Limited**, Mosman, NSW (AU)

(\*\*) Term: **14 Years**

(21) Appl. No.: **29/416,423**

(22) Filed: **Mar. 22, 2012**

(30) **Foreign Application Priority Data**

Sep. 23, 2011 (AU) ..... 14255/2011

(51) **LOC (9) Cl.** ..... **14-01**

(52) **U.S. Cl.**  
USPC ..... **D14/225**

(58) **Field of Classification Search**

USPC ..... D14/137, 138, 155, 159, 167, 168, 191, D14/194, 203.3, 206, 223-229, 242, 431; 181/129, 130, 135; 379/430, 431, 379/420.03; 381/362, 364, 365, 375, 380, 381/381, 382; 455/95, 569.1

See application file for complete search history.

(56) **References Cited**

**U.S. PATENT DOCUMENTS**

3,095,484 A \* 6/1963 Beaverson et al. .... 381/357  
4,789,044 A \* 12/1988 Akino ..... 181/158

D379,990 S \* 6/1997 Bungardt et al. .... D14/228  
D431,817 S \* 10/2000 Yuyama et al. .... D14/227  
6,459,802 B1 \* 10/2002 Young ..... 381/368  
D551,166 S \* 9/2007 Dayan ..... D13/110  
7,769,408 B2 \* 8/2010 Hansson ..... 455/550.1  
D652,824 S \* 1/2012 Strauser ..... D14/226  
D653,649 S \* 2/2012 Yang et al. .... D14/206

\* cited by examiner

*Primary Examiner* — Cathron Brooks

*Assistant Examiner* — Katie Mroczka

(74) *Attorney, Agent, or Firm* — James Creighton Wray

(57) **CLAIM**

The ornamental design for a microphone, as shown and described.

**DESCRIPTION**

FIG. 1 is a perspective view showing the top, side and rear of a microphone.

FIG. 2 is a perspective view showing the front, top, and side of the microphone shown in FIG. 1.

FIG. 3 is a top view of the microphone shown in FIGS. 1 and 2.

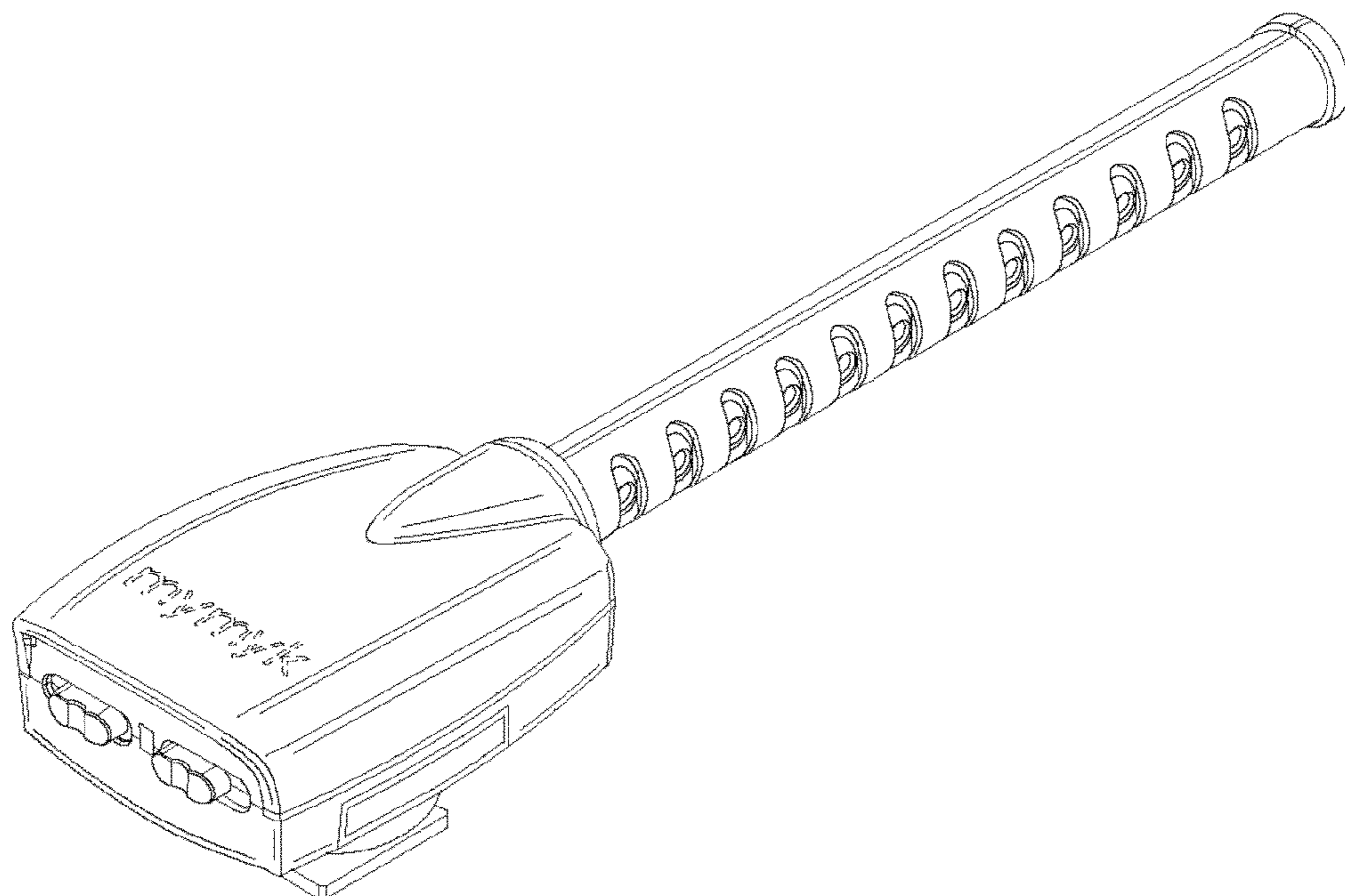
FIG. 4 is a right side elevation of the microphone shown in FIGS. 1-3.

FIG. 5 is a rear view of the microphone shown in FIGS. 1-4.

FIG. 6 is a left side elevation of the microphone shown in FIGS. 1-5; and,

FIG. 7 is bottom view of a microphone shown in FIGS. 1-6. Broken lines shown in the drawings illustrate portions of the microphone, and form no part of the claimed design.

**1 Claim, 7 Drawing Sheets**



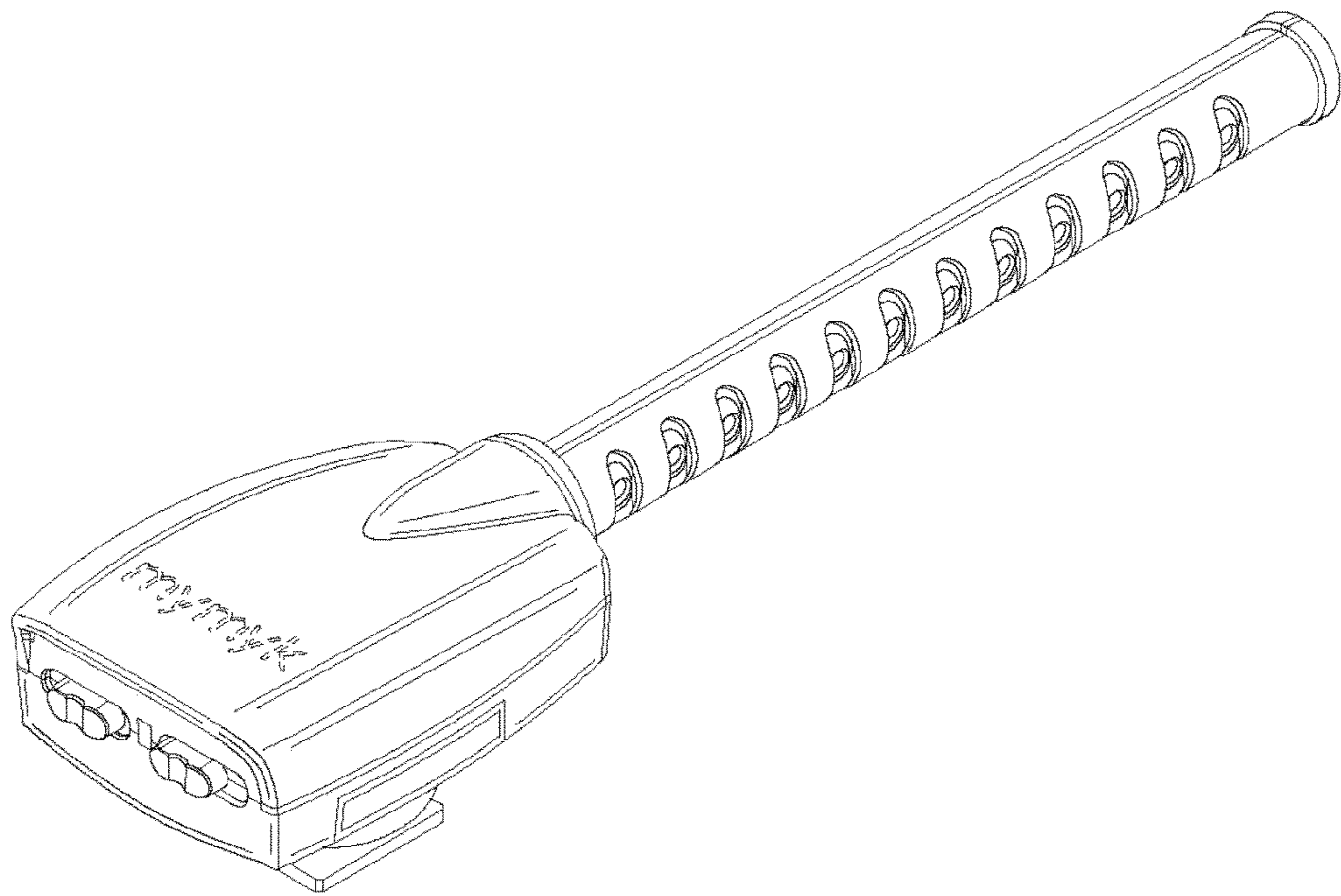


FIG. 1

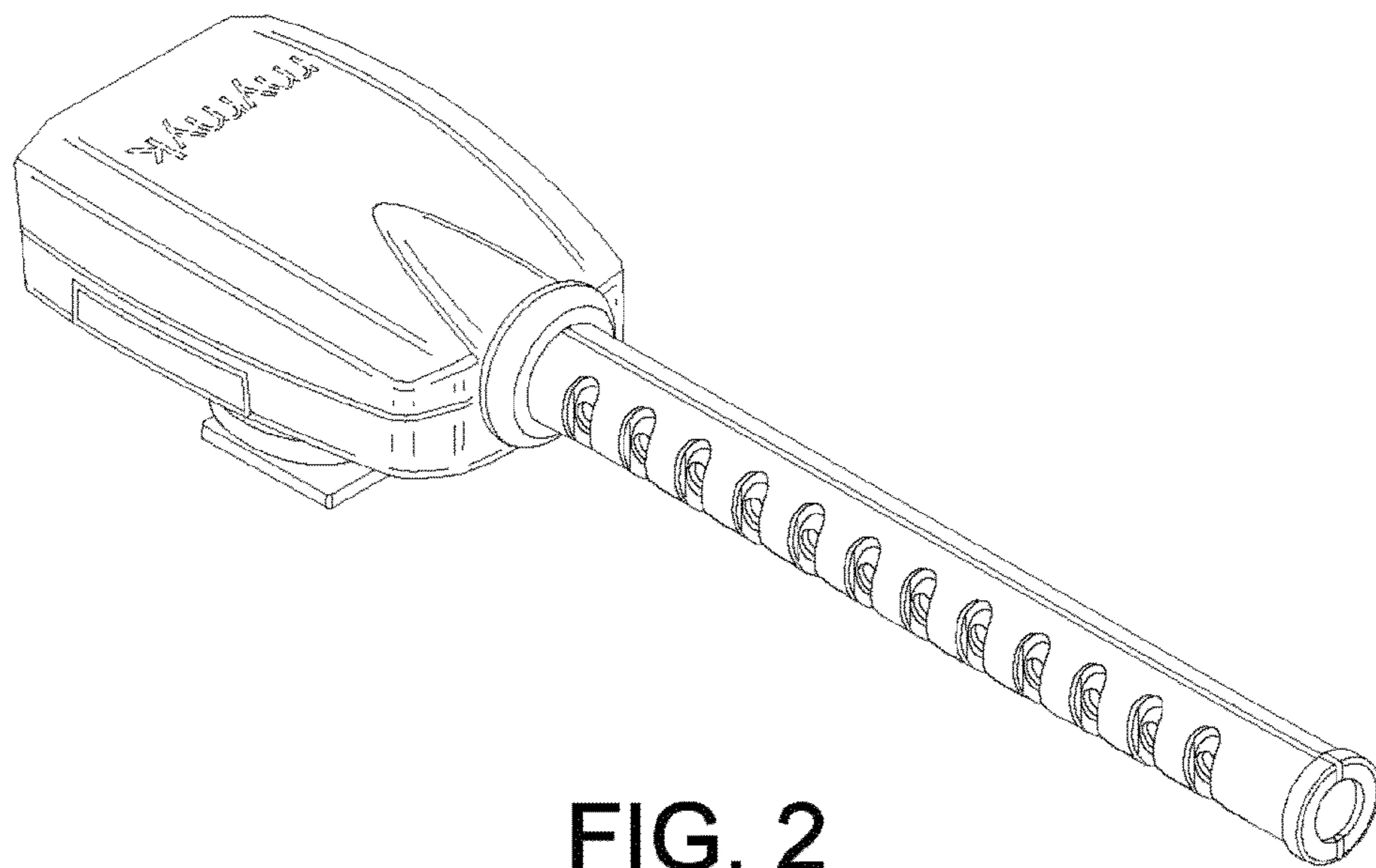


FIG. 2

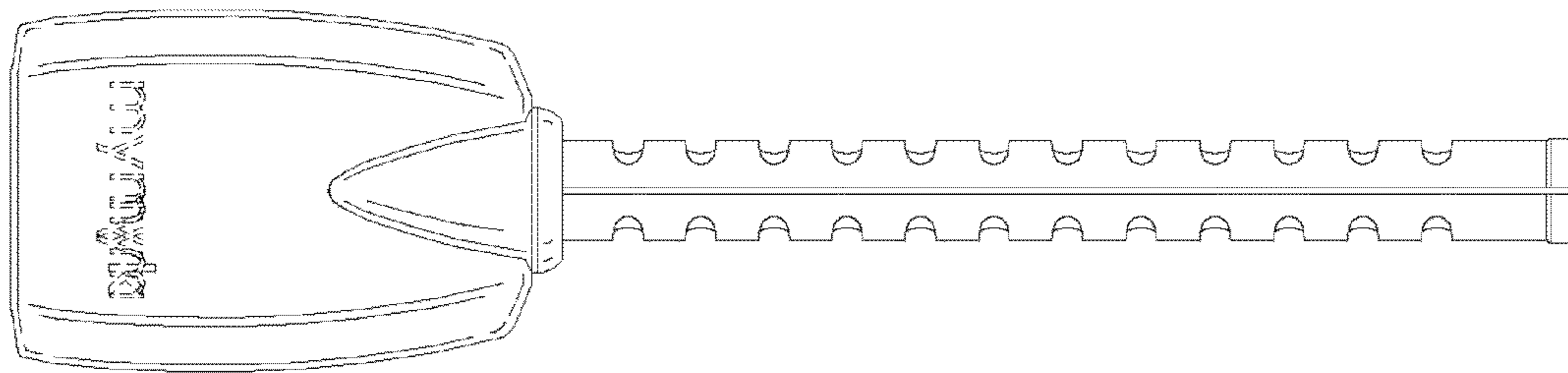


FIG. 3

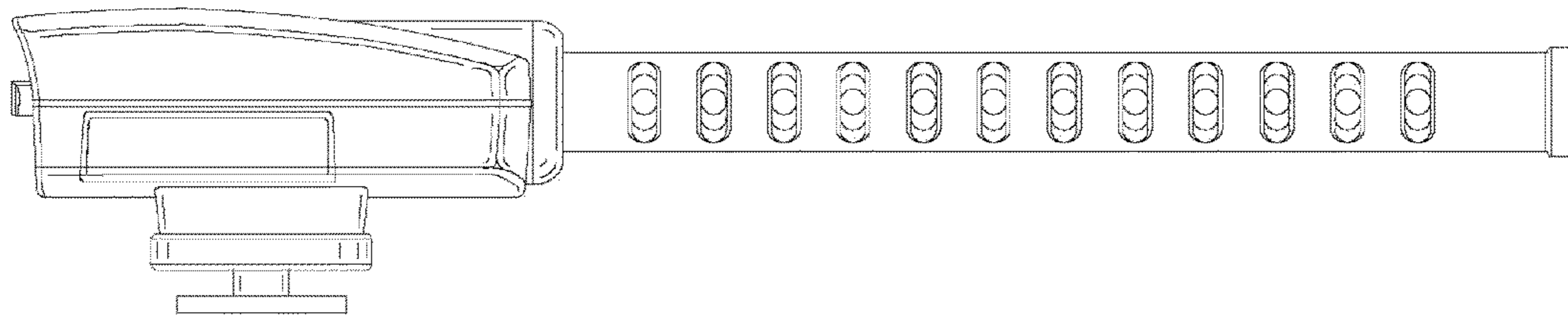


FIG. 4

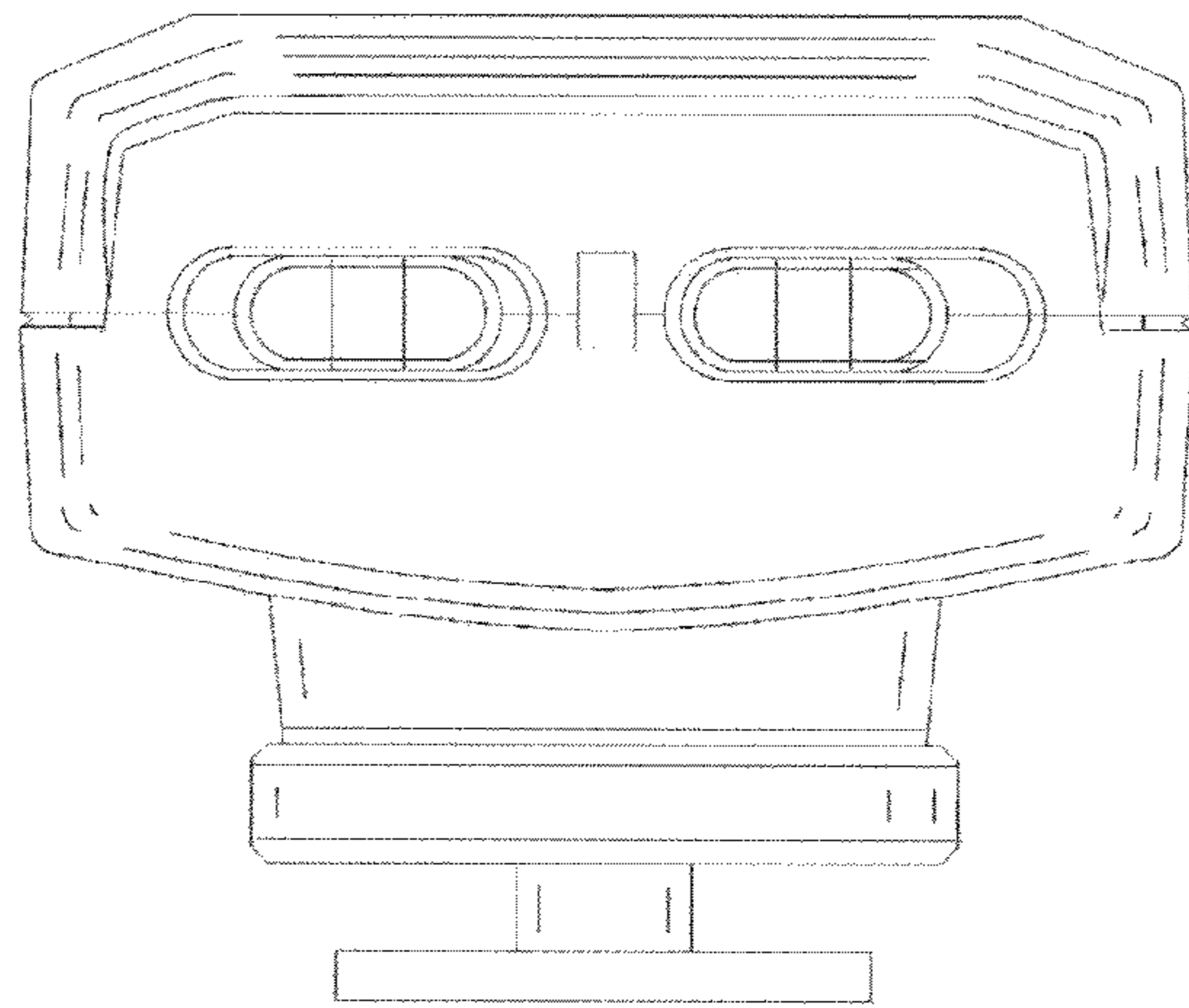


FIG. 5

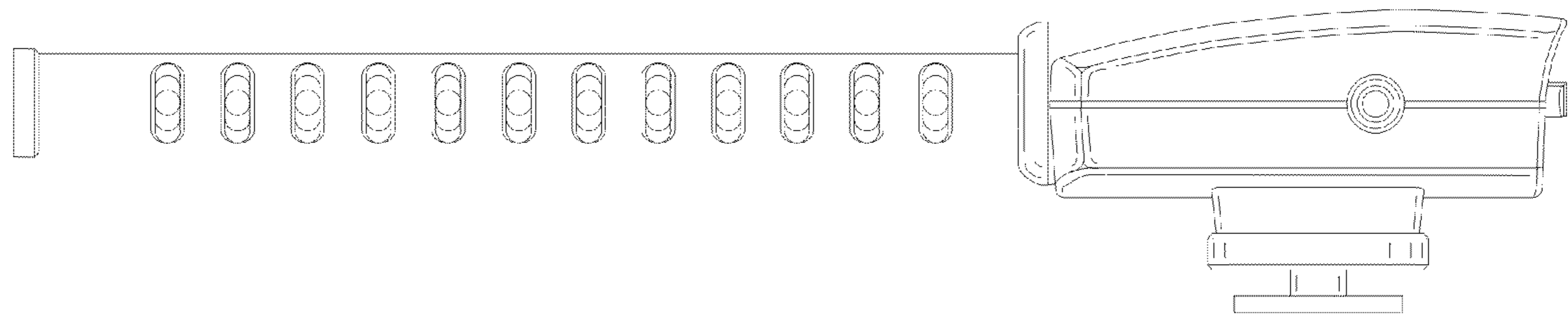


FIG. 6

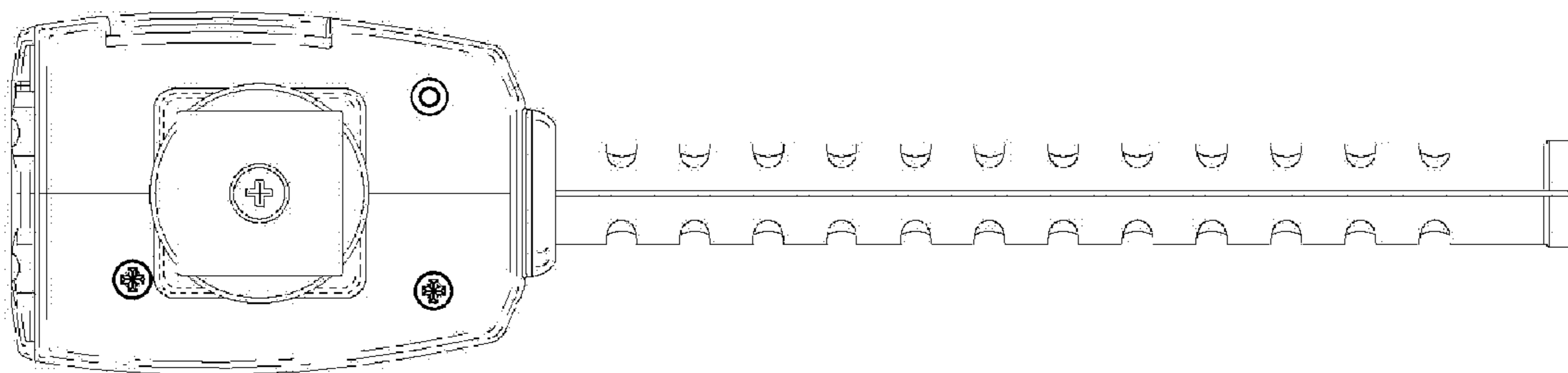


FIG. 7