



US00D694219S

(12) **United States Design Patent**
Parraga Gimeno

(10) **Patent No.:** **US D694,219 S**

(45) **Date of Patent:** **** Nov. 26, 2013**

(54) **CARD DEVICE**

(75) Inventor: **D. Javier Parraga Gimeno**, Leganés (ES)

(73) Assignee: **Woxter Technology Co., Limited**, Causeway Bay (HK)

(**) Term: **14 Years**

(21) Appl. No.: **29/382,401**

(22) Filed: **Jan. 3, 2011**

(30) **Foreign Application Priority Data**

Oct. 27, 2010 (ES) 201031073
(51) **LOC (9) Cl.** **14-03**

(52) **U.S. Cl.**
USPC **D14/217**; D14/447

(58) **Field of Classification Search**
USPC D14/140, 142, 149, 155, 157, 188,
D14/191-193, 203.1-203.8, 217, 240, 243,
D14/251, 253, 432-435.1, 447, 451, 496,
D14/474, 480.1-480.7; D13/107, 108, 118;
D3/218; 248/221.11, 309.1; 320/107,
320/110, 113-115; 361/600; 439/529, 534;
455/556.1-556.2, 557

See application file for complete search history.

(56) **References Cited**

U.S. PATENT DOCUMENTS

D486,140 S * 2/2004 Park, II D14/172

D551,654 S * 9/2007 Fong D14/214
D637,583 S * 5/2011 Beal et al. D14/217
D650,372 S * 12/2011 Molter D14/239
D650,774 S * 12/2011 Molter D14/239
D658,168 S * 4/2012 Werth D14/253
D659,147 S * 5/2012 Hu et al. D14/447
D665,812 S * 8/2012 Huang et al. D14/447
D666,174 S * 8/2012 Du et al. D14/217

* cited by examiner

Primary Examiner — Keli L Hill

(74) *Attorney, Agent, or Firm* — Merchant & Gould P.C.

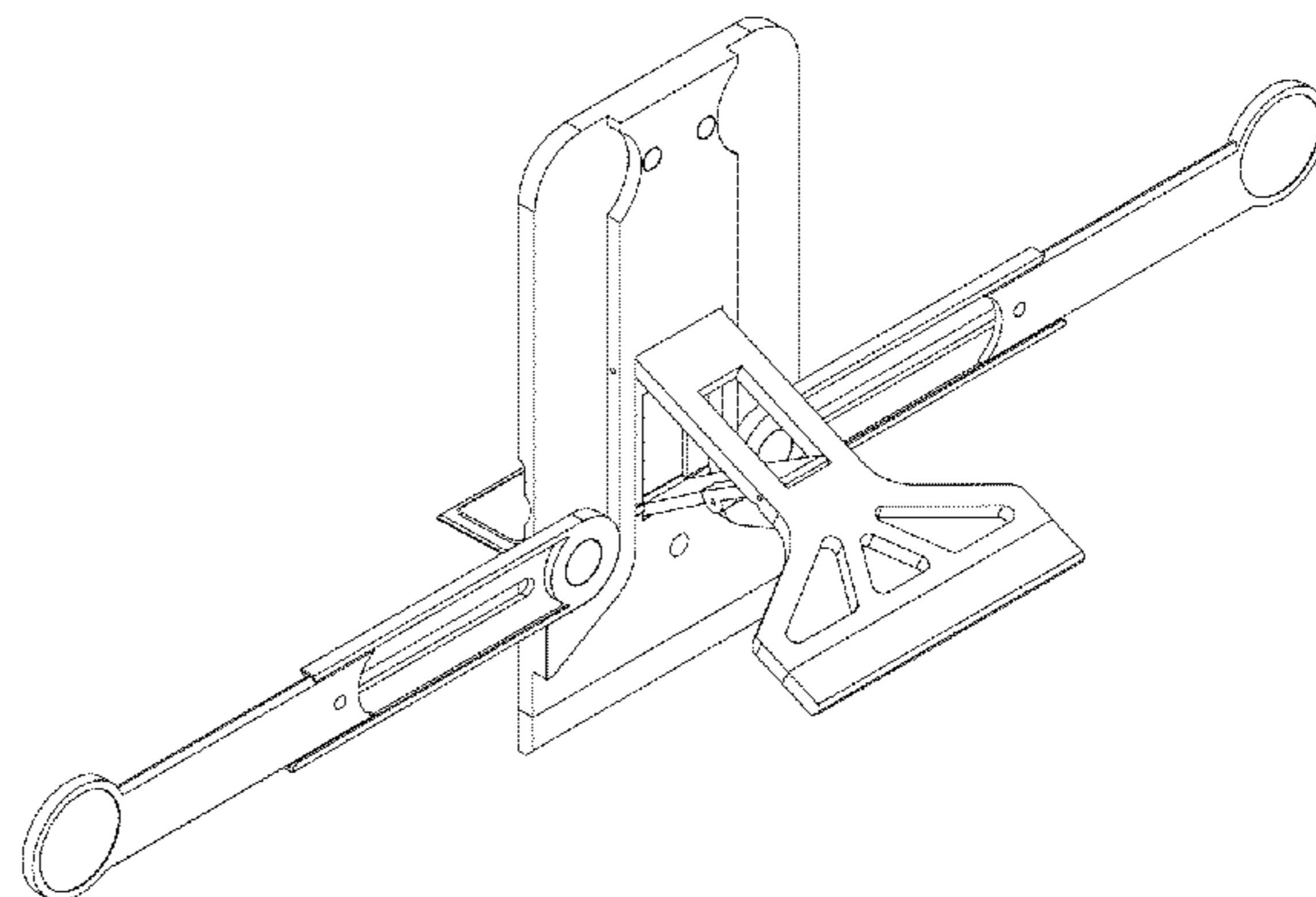
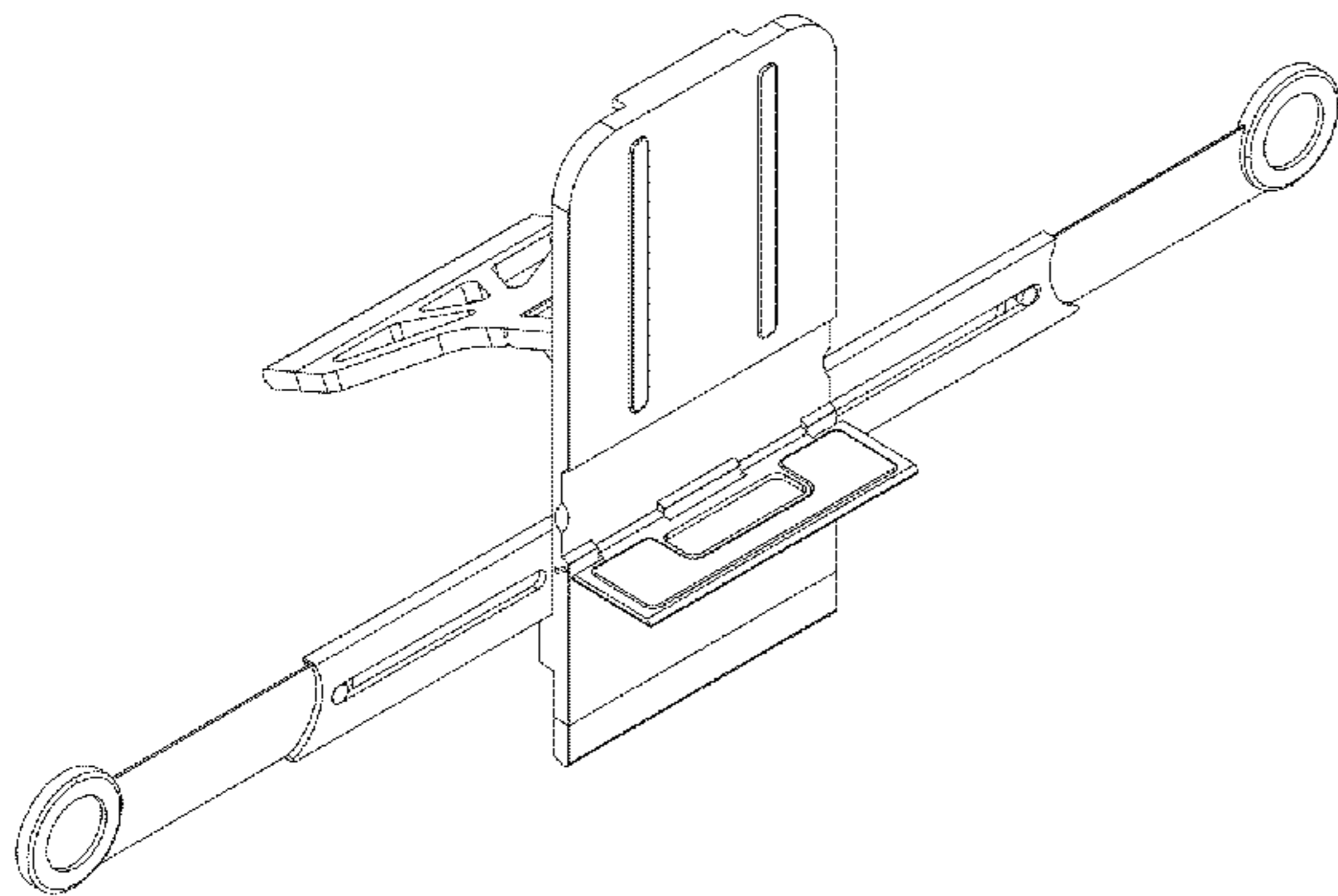
(57) **CLAIM**

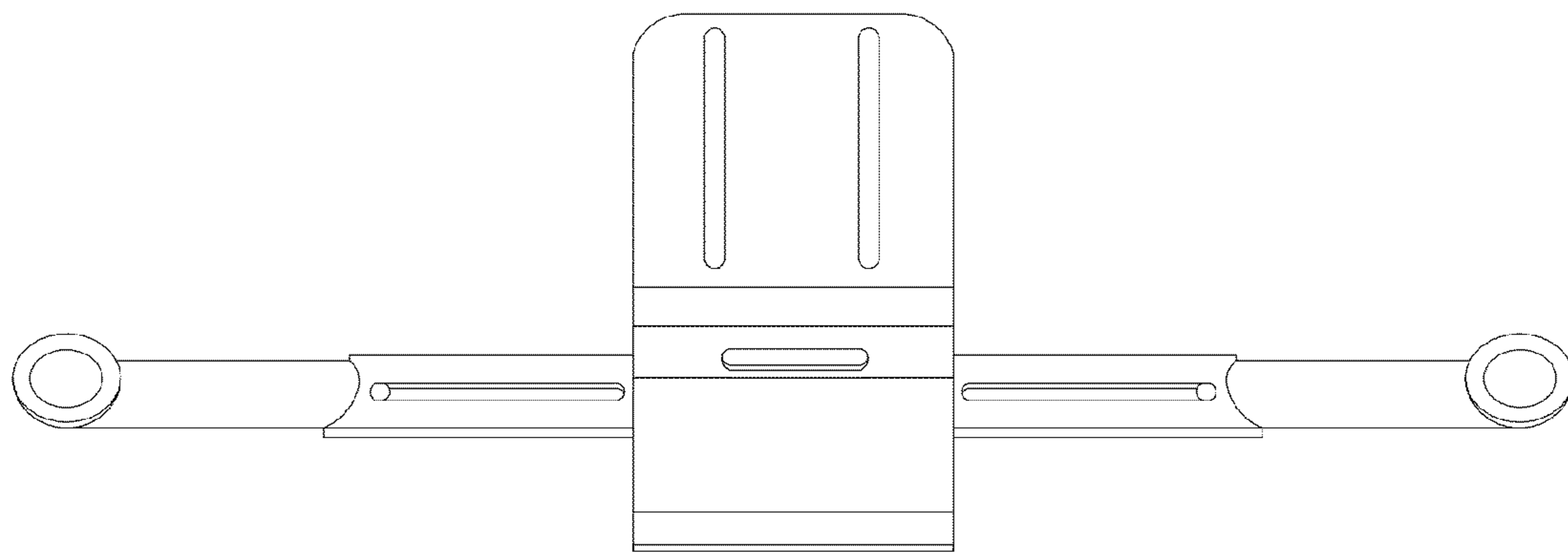
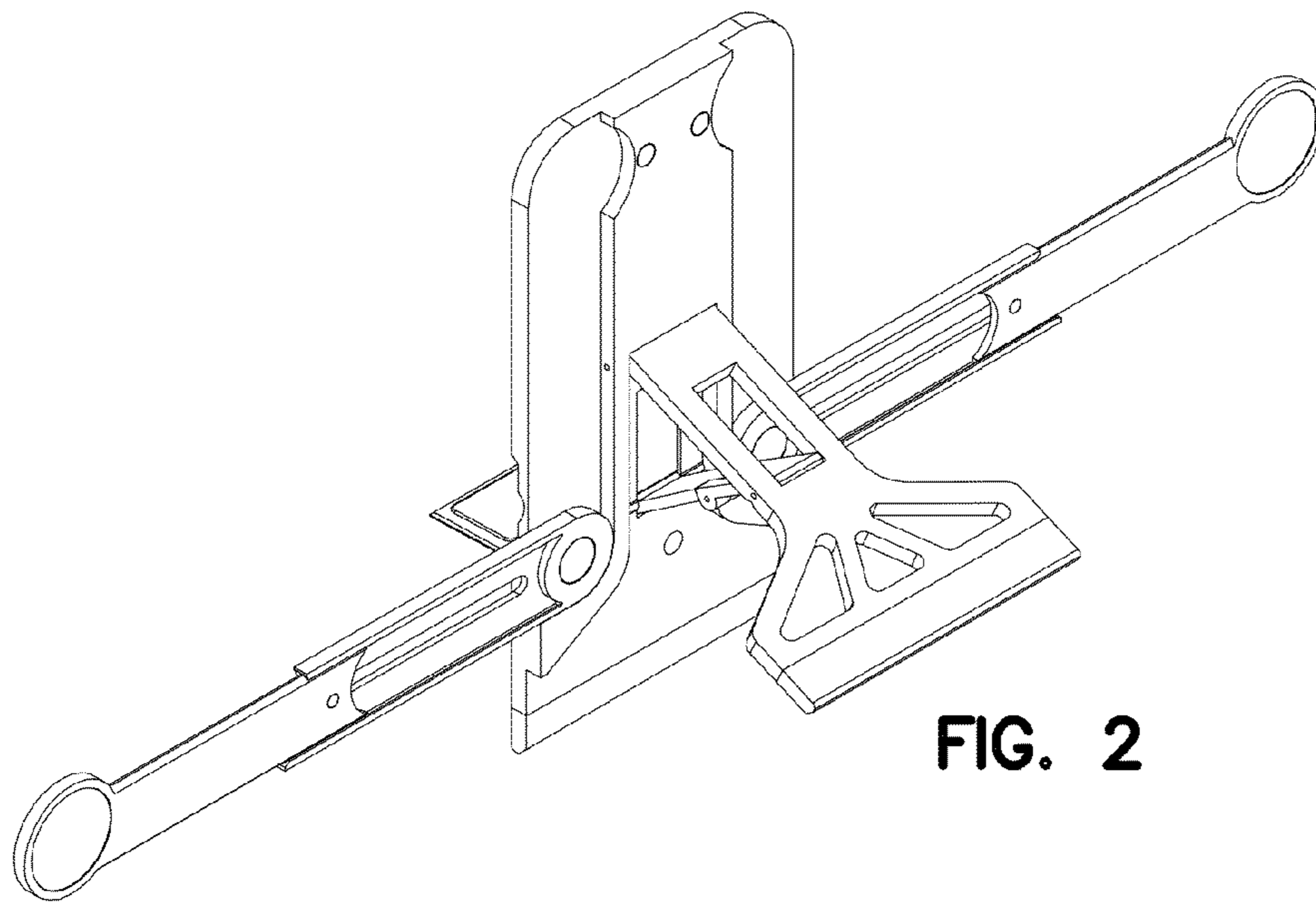
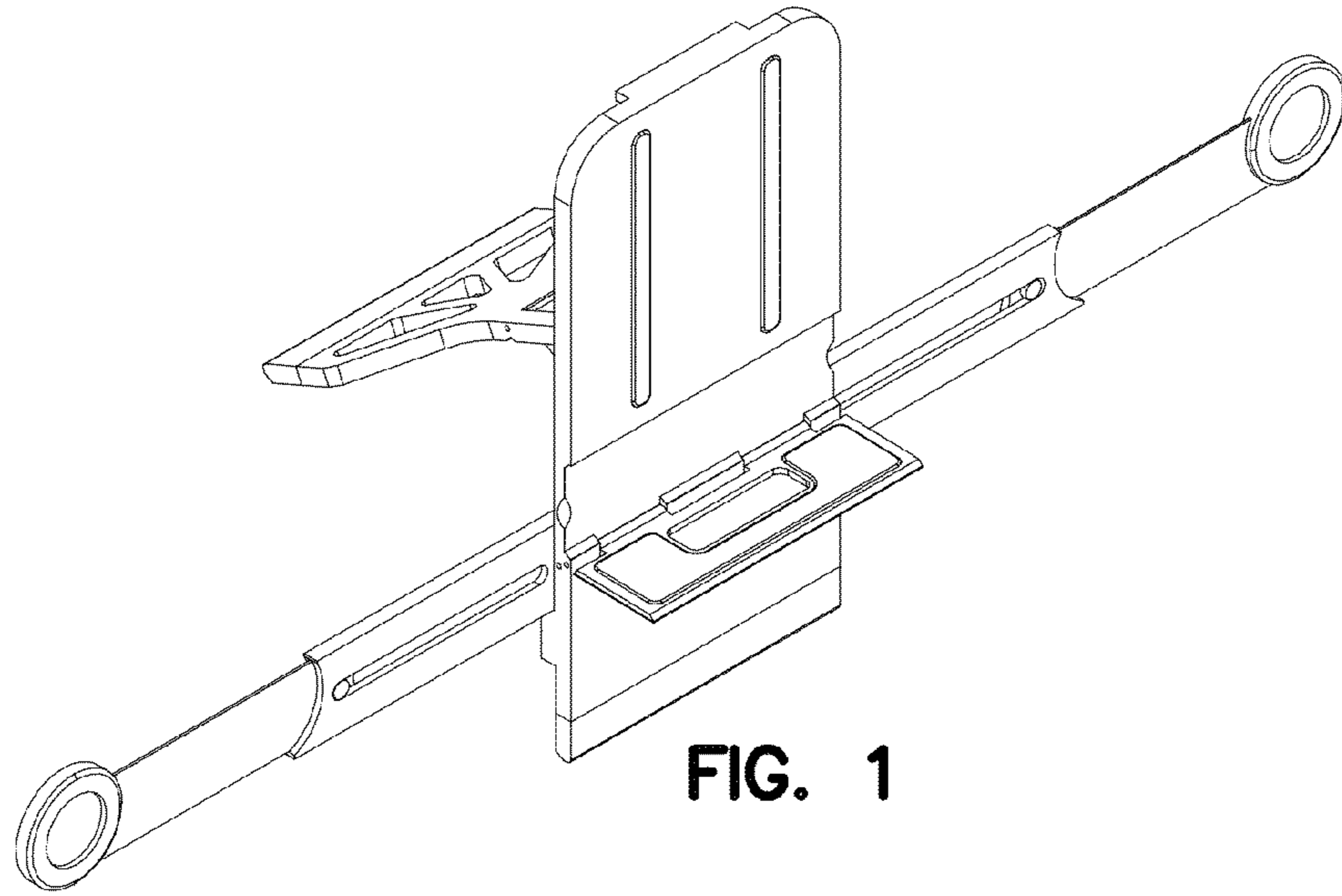
The ornamental design for a card device, as shown and described.

DESCRIPTION

FIG. 1 is a front perspective view of a card device.
FIG. 2 is a rear perspective view of the device of FIG. 1.
FIG. 3 is a front elevation view of the device of FIG. 1.
FIG. 4 is a front perspective view, with portions of the device folded.
FIG. 5 is a rear elevation view, with portions of the device folded.
FIG. 6 is a right side elevation view of the device; and,
FIG. 7 is a right side elevation view, with the device in an extended position.

1 Claim, 2 Drawing Sheets





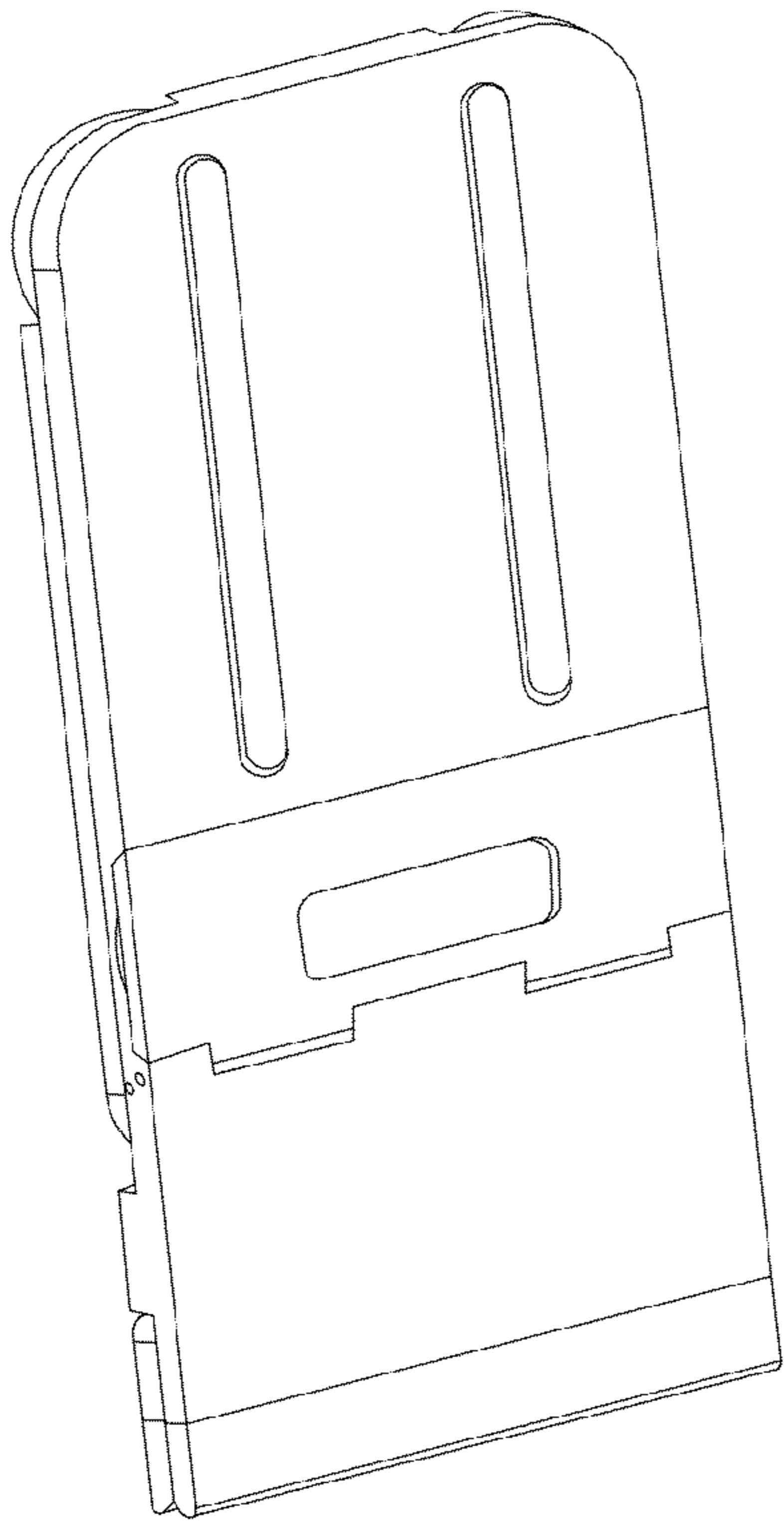


FIG. 4

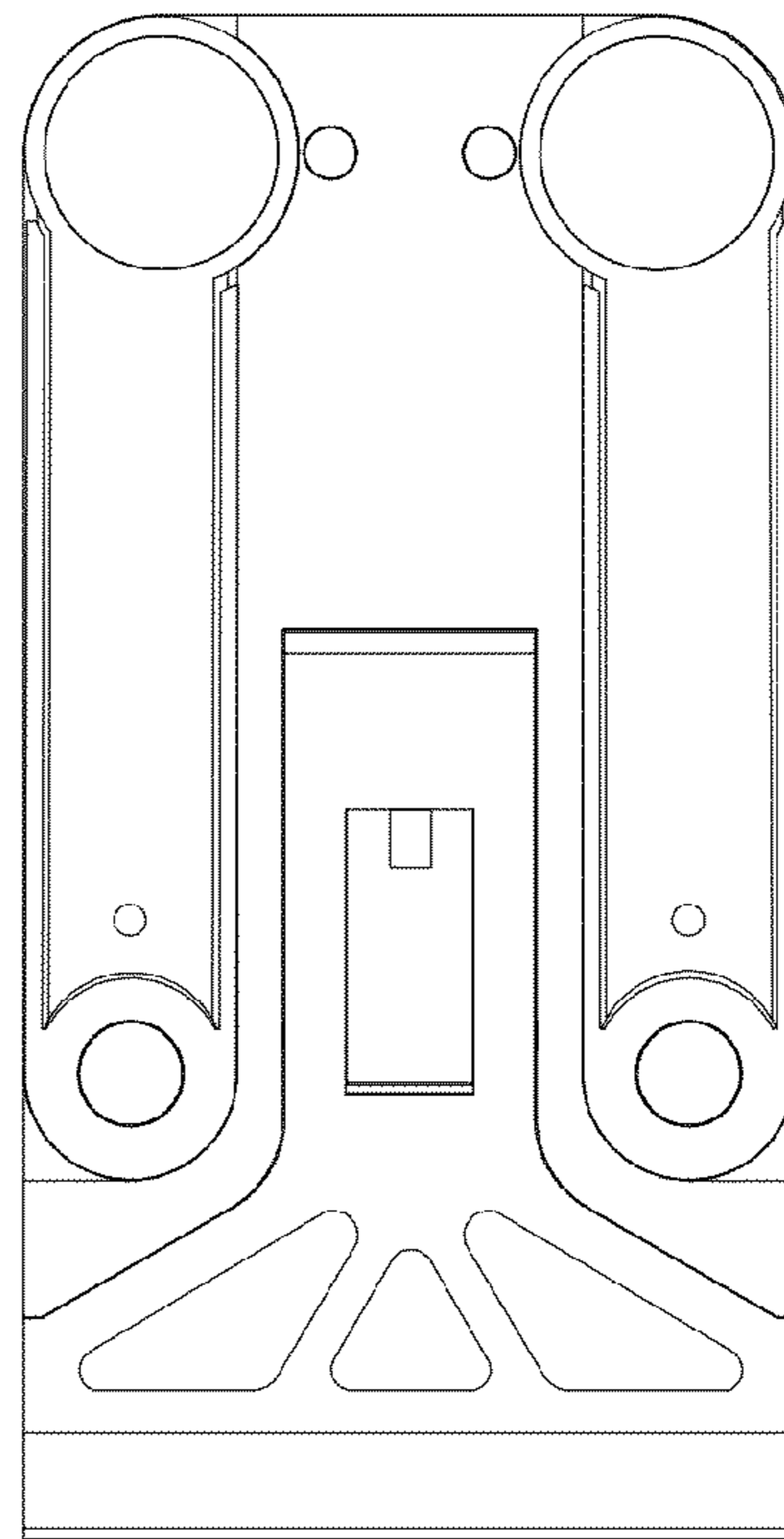


FIG. 5



FIG. 6

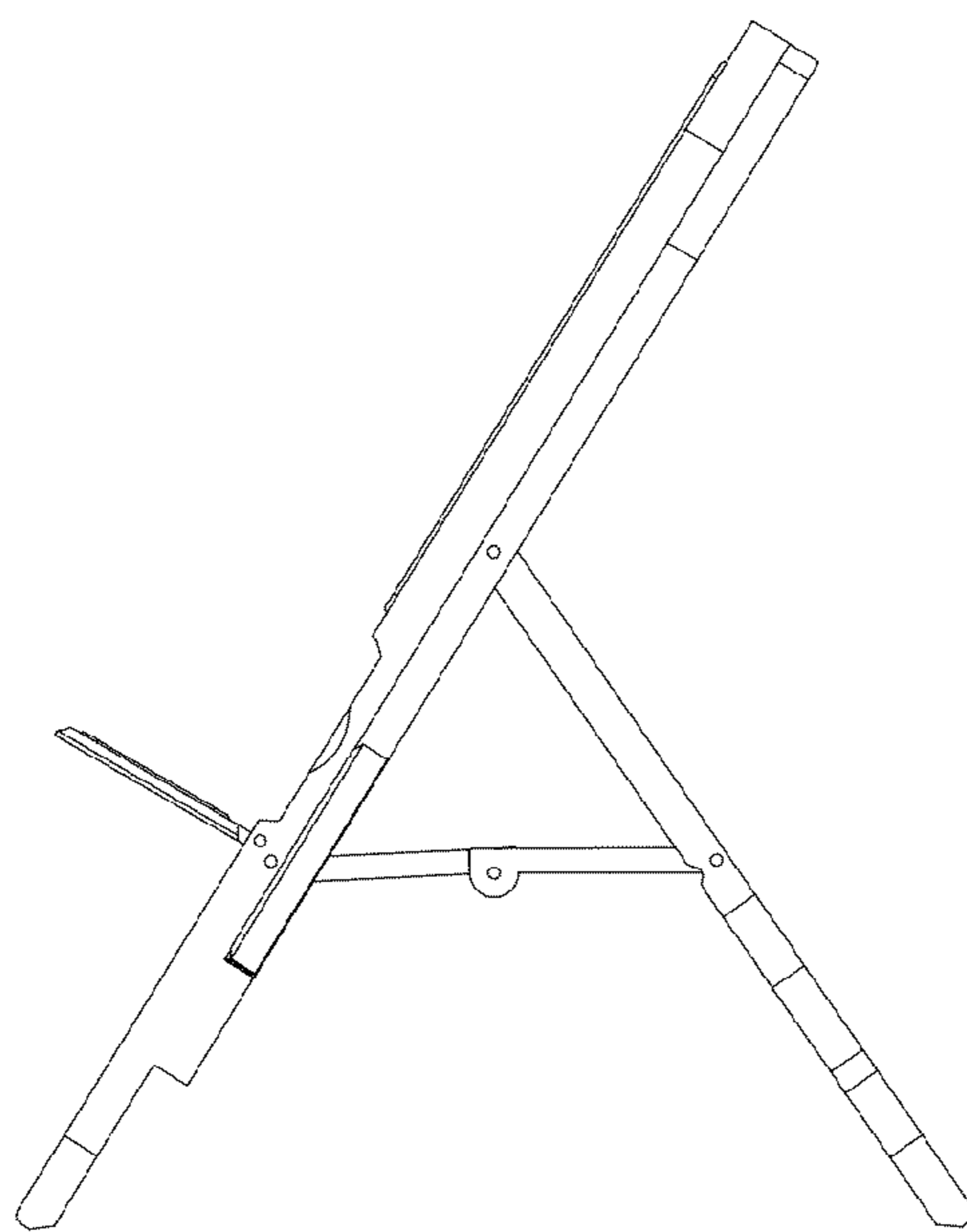


FIG. 7