



US00D694218S

(12) **United States Design Patent**
Szymanski

(10) **Patent No.:** **US D694,218 S**

(45) **Date of Patent:** **** Nov. 26, 2013**

- (54) **PORTABLE SPEAKER**
- (75) Inventor: **Aaron Szymanski**, Thomaston, CT (US)
- (73) Assignee: **Ideavillage Products, Inc**, Wayne, NJ (US)
- (**) Term: **14 Years**
- (21) Appl. No.: **29/374,636**
- (22) Filed: **Sep. 14, 2011**
- (51) **LOC (9) Cl.** **14-03**
- (52) **U.S. Cl.**
USPC **D14/216**
- (58) **Field of Classification Search**
USPC D14/167, 168, 170–172, 188, 194–196,
D14/204, 207, 209.1, 210–216, 221, 222;
181/143, 144, 147, 148, 150, 153, 157,
181/198, 199; 381/300–303, 306, 332, 333,
381/336, 345, 361–364, 386–388;
D13/107, 108; 455/344–351; 369/6–12
See application file for complete search history.

- D602,911 S * 10/2009 Wang et al. D14/216
- D607,876 S * 1/2010 Huang D14/216
- D610,572 S * 2/2010 Skurdal D14/216
- D610,573 S * 2/2010 Joseph D14/216
- D620,480 S * 7/2010 Garrett D14/216
- D621,347 S * 8/2010 Aulwes et al. D13/108
- D625,295 S * 10/2010 Nogueira et al. D14/218
- D635,554 S * 4/2011 Lee D14/216
- D656,486 S * 3/2012 Parraga Gimeno D14/216
- D683,311 S * 5/2013 Siminoff et al. D13/108

* cited by examiner

Primary Examiner — Keli L Hill

(74) *Attorney, Agent, or Firm* — Dan DeLaRosa

(57) **CLAIM**

The ornamental design for a portable speaker, as shown and described.

DESCRIPTION

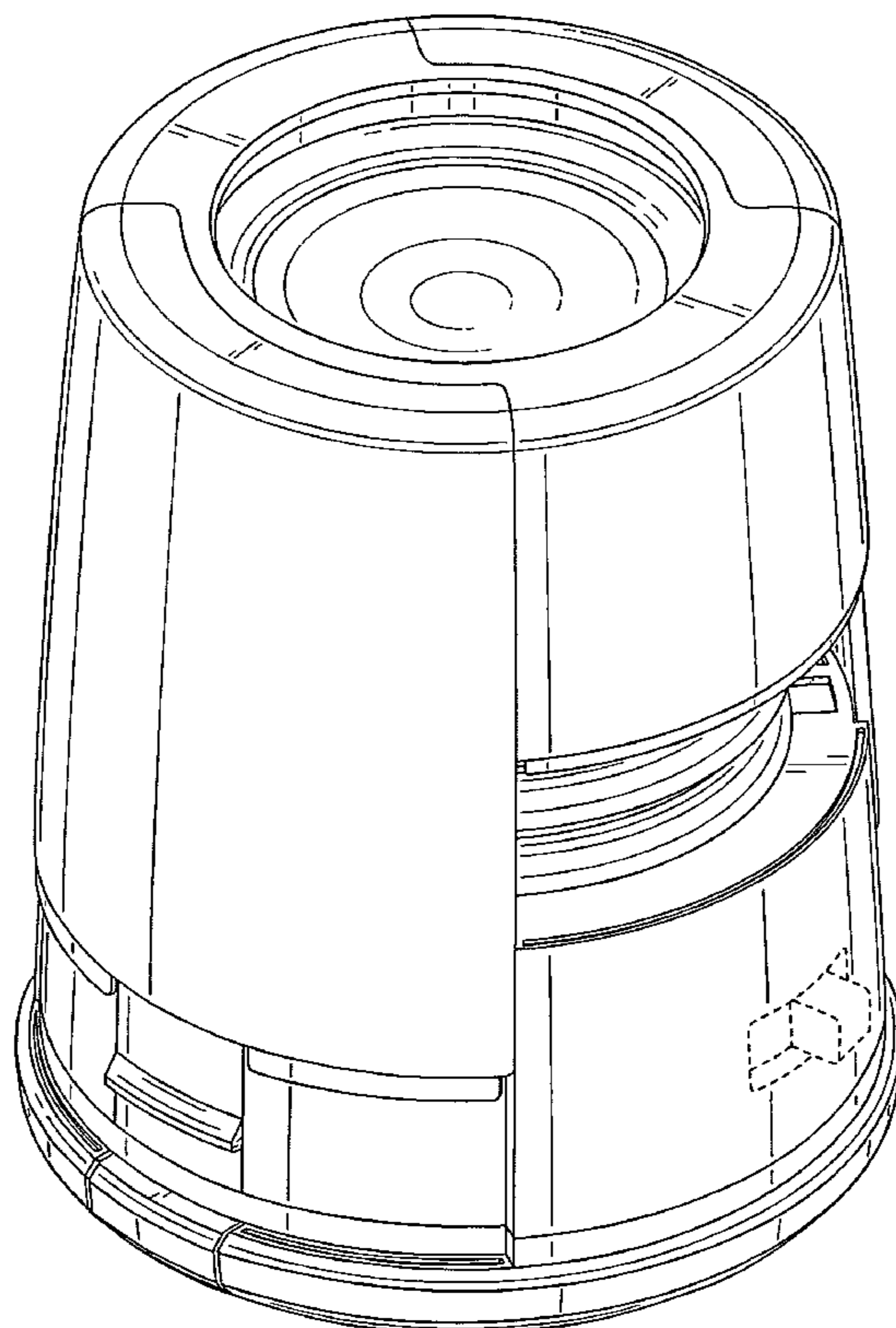
FIG. 1 is a front perspective view of the portable speaker of the present invention showing my new design; FIG. 2 is a front side elevational view thereof; FIG. 3 is a back side elevational view thereof; FIG. 4 is a side elevational view thereof; FIG. 5 is another side elevational view thereof; FIG. 6 is a top plan view thereof; and, The broken lines in the drawings illustrate features of the portable speaker that form no part of the claim.

1 Claim, 7 Drawing Sheets

(56) **References Cited**

U.S. PATENT DOCUMENTS

- D303,970 S * 10/1989 Collins et al. D14/216
- D388,791 S * 1/1998 McGreevy D14/216
- D488,166 S * 4/2004 Daniels D14/496
- D584,290 S * 1/2009 Lee D14/216



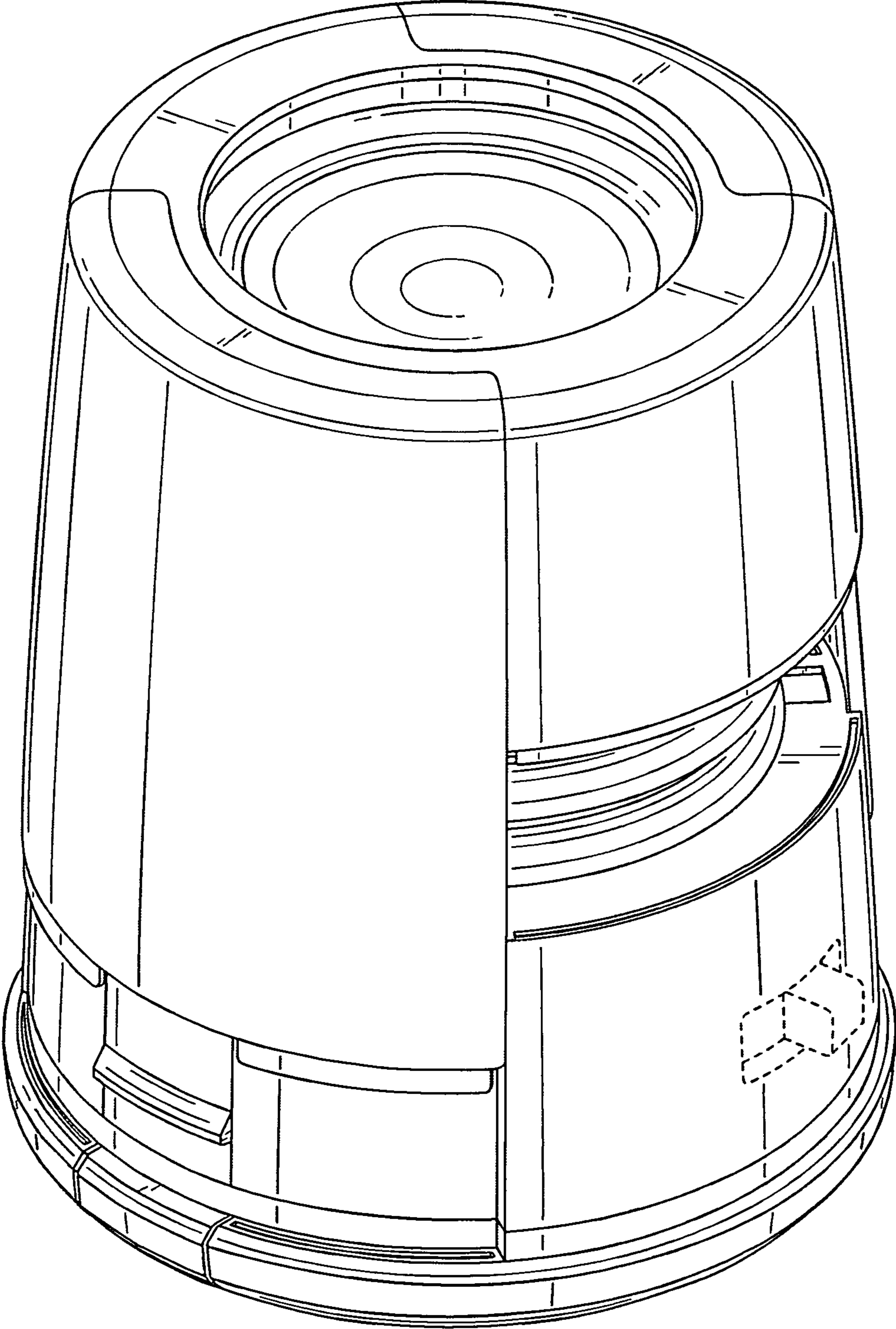


FIG. 1

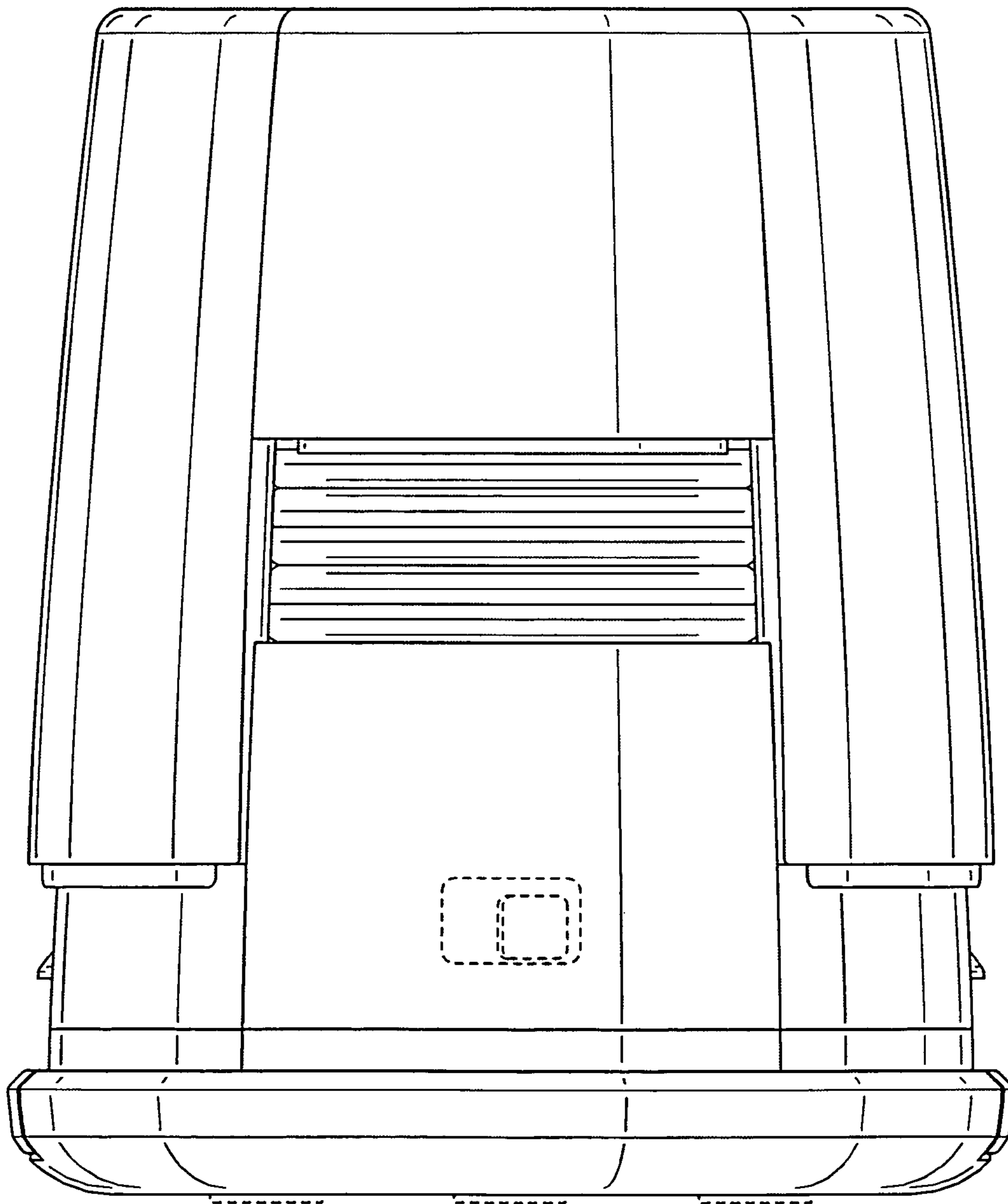


FIG. 2

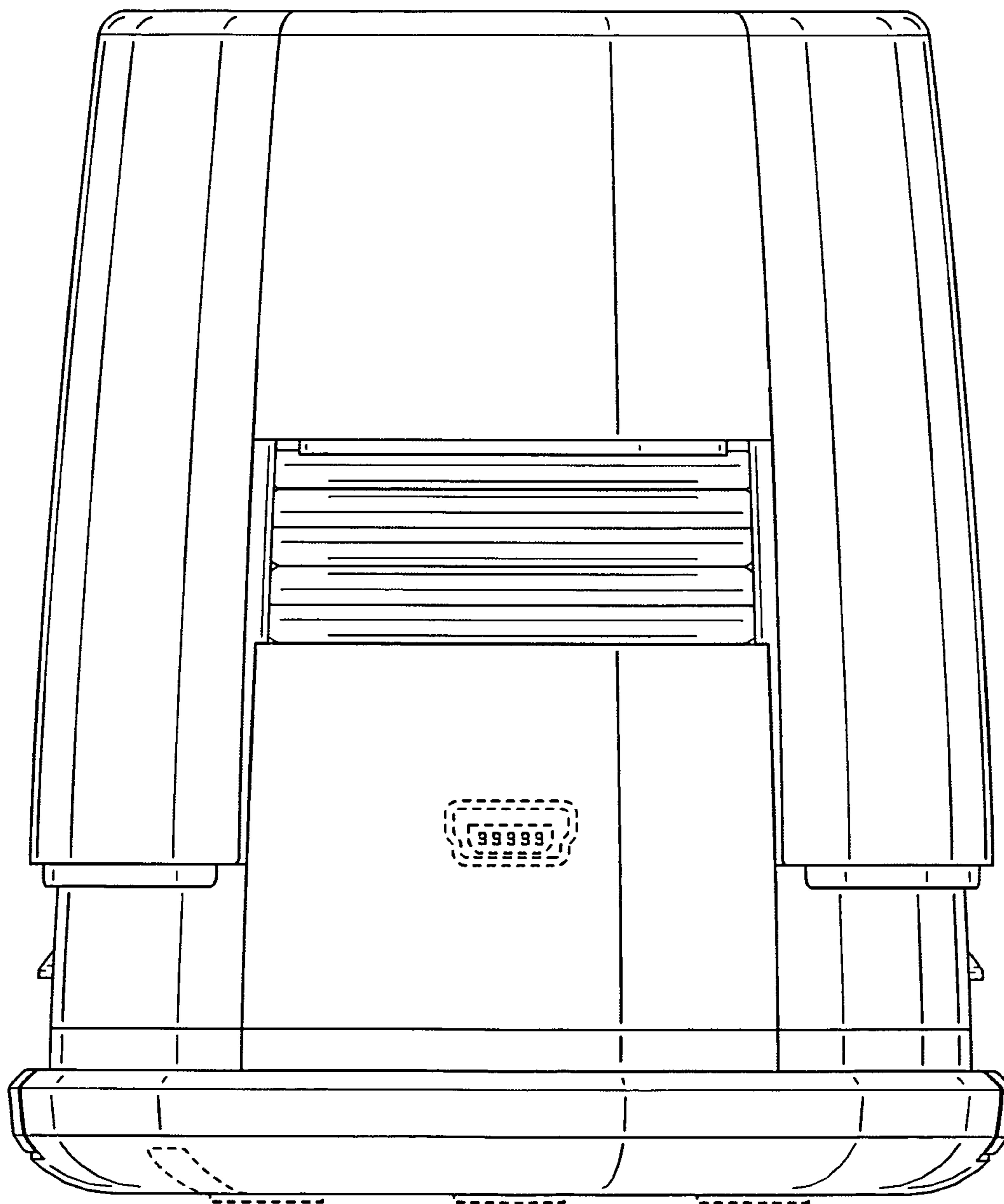


FIG. 3

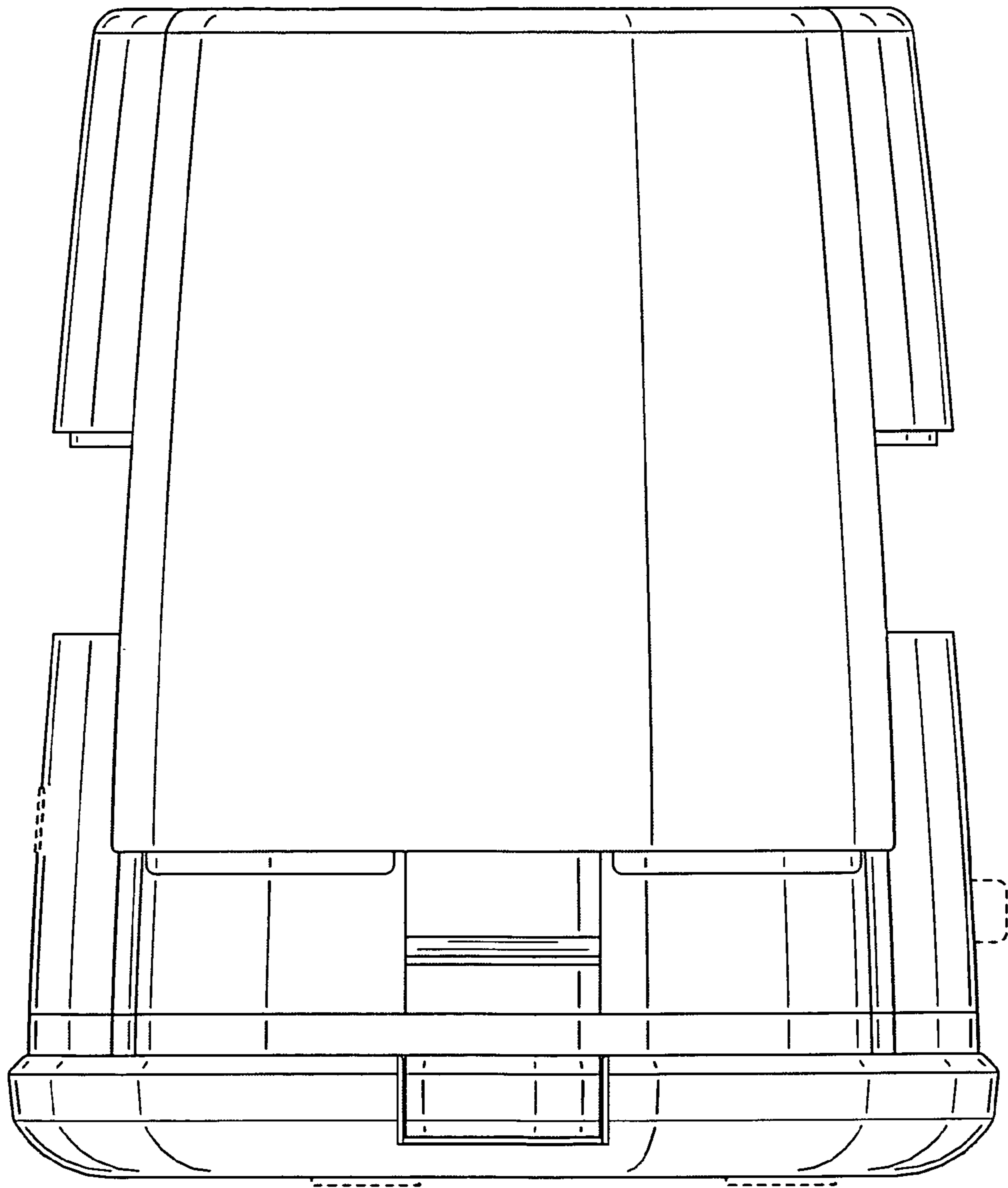


FIG. 4

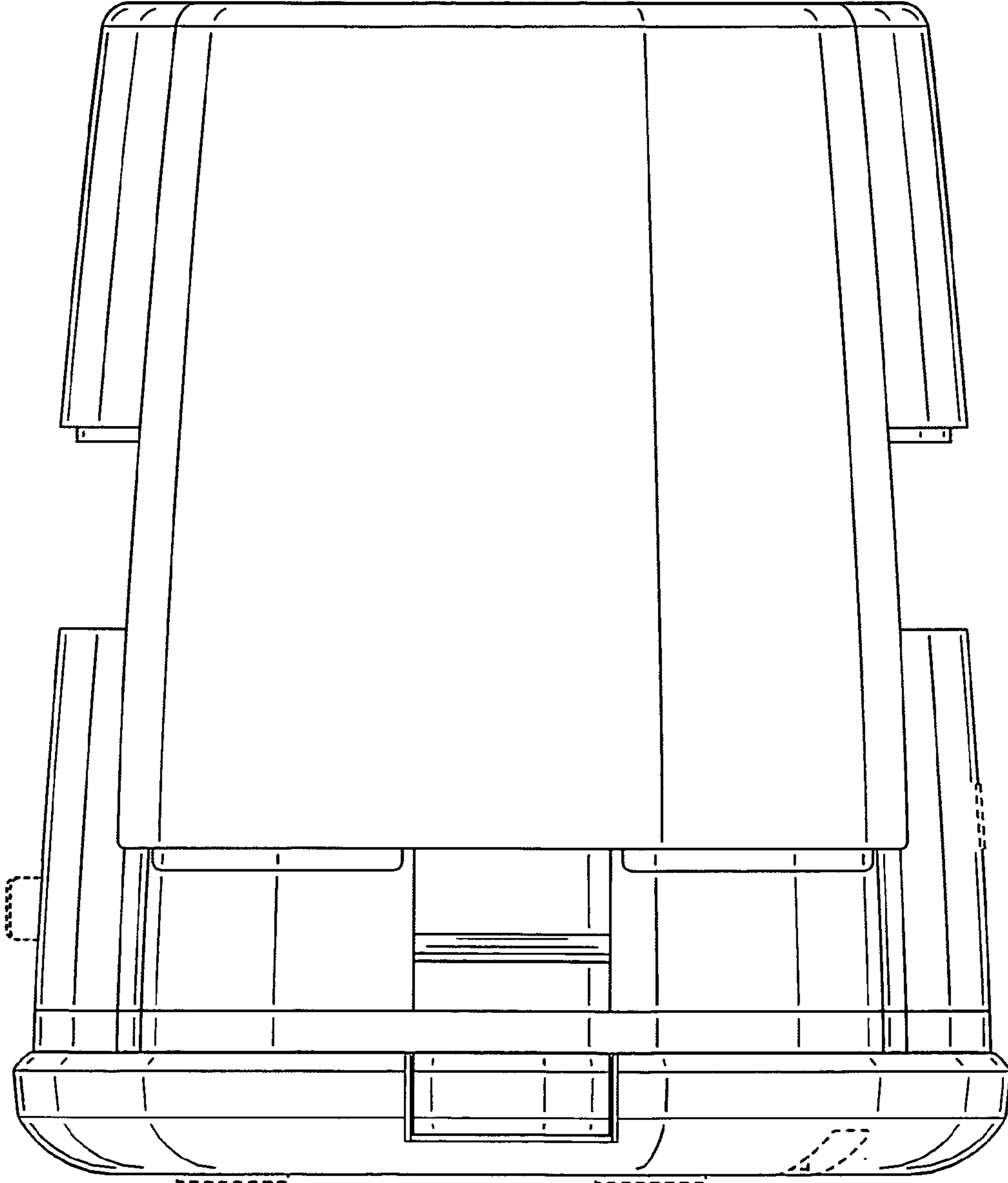


FIG. 5

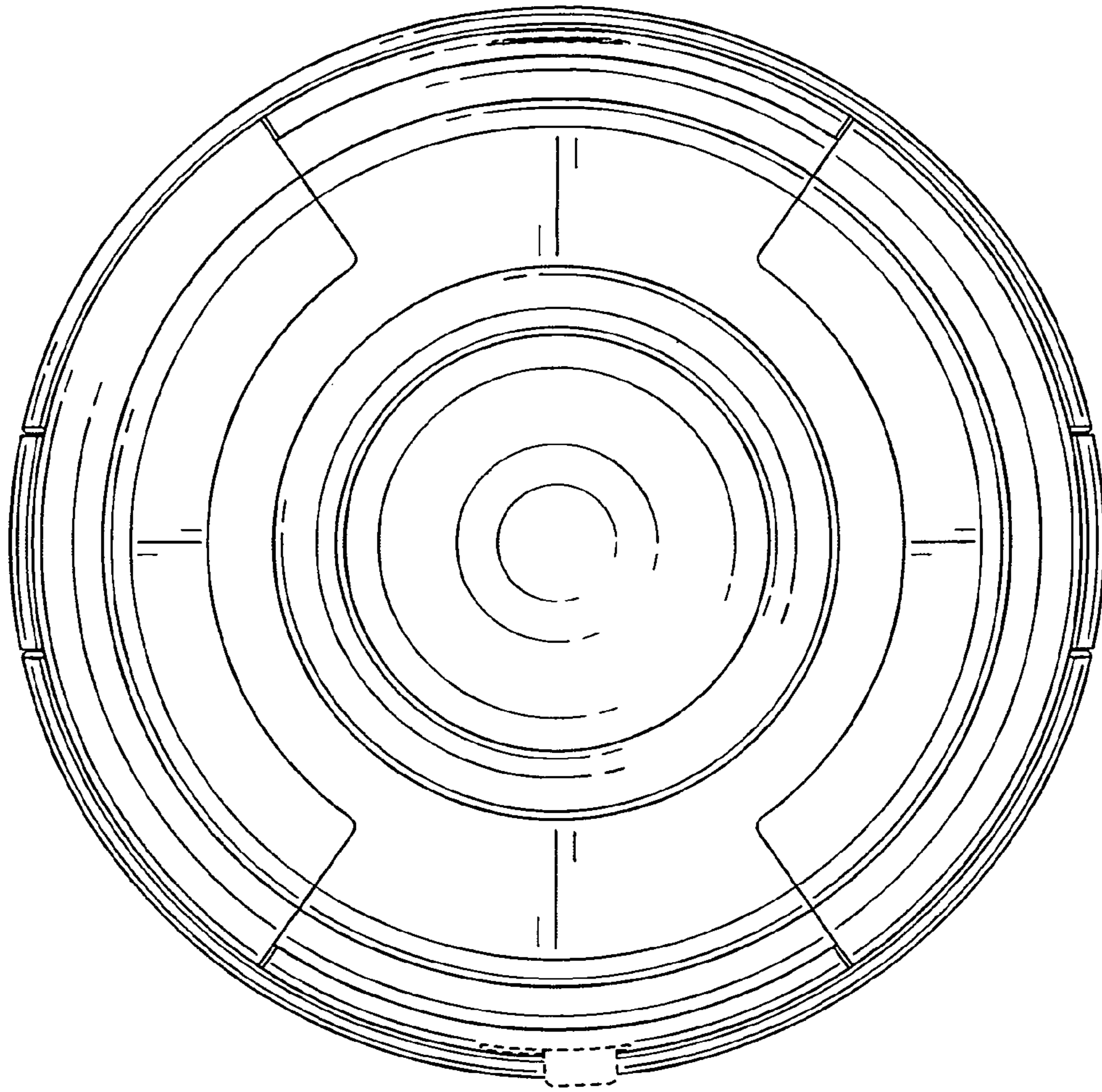


FIG. 6

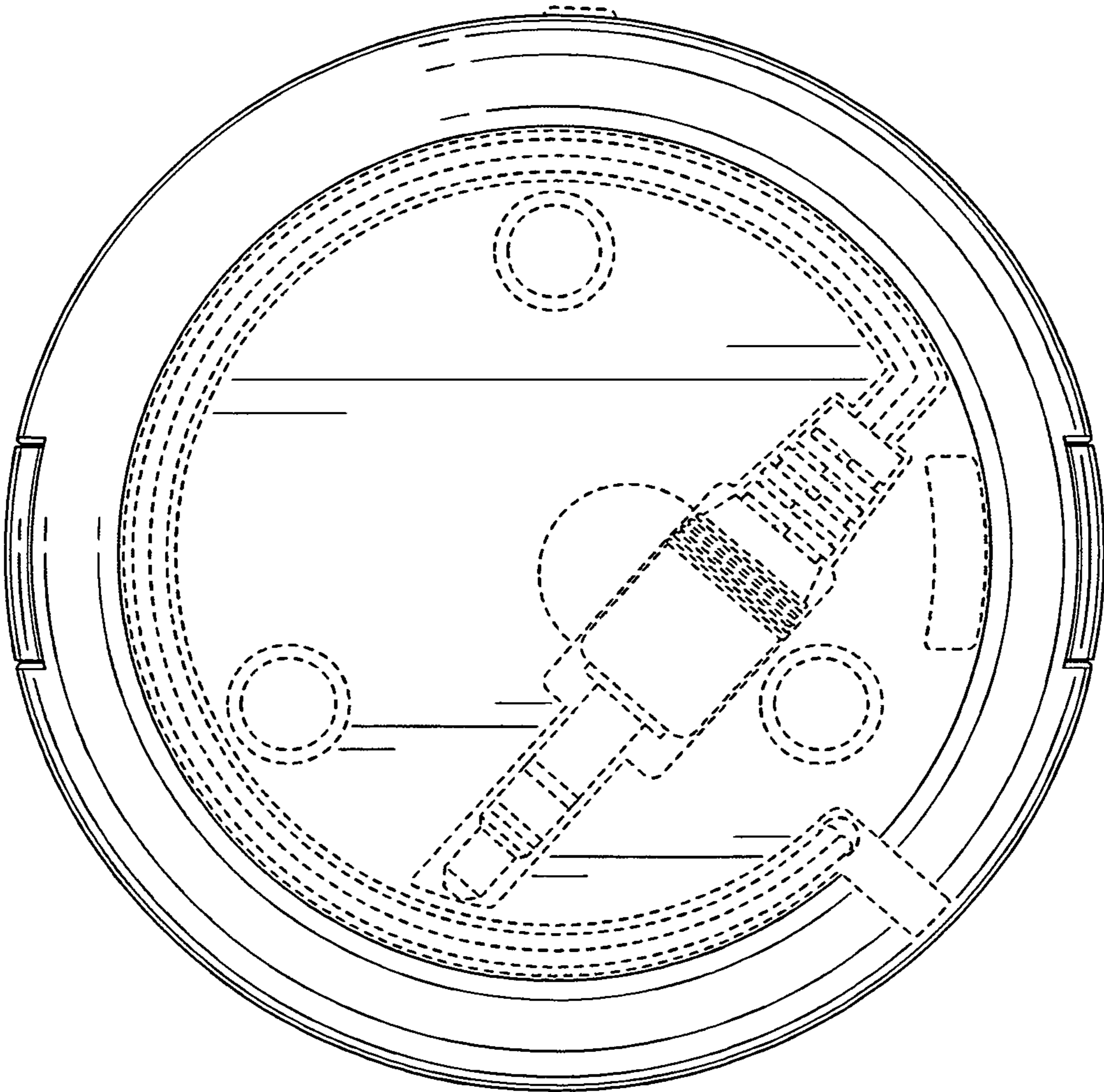


FIG. 7