



US00D694216S

(12) **United States Design Patent**
Lee et al.

(10) **Patent No.:** **US D694,216 S**
(45) **Date of Patent:** **** Nov. 26, 2013**

(54) **HEADPHONES**

(75) Inventors: **Noel Lee**, Las Vegas, NV (US);
Kendrew Lee, Tsing Yi (HK); **Man Ting Lo**, Tuen Mun (HK)

(73) Assignee: **Monster, LLC**, Las Vegas, NV (US)

(**) Term: **14 Years**

(21) Appl. No.: **29/430,816**

(22) Filed: **Aug. 30, 2012**

(51) **LOC (9) Cl.** **14-01**

(52) **U.S. Cl.**
USPC **D14/205**

(58) **Field of Classification Search**
USPC D14/205, 223; 181/129, 130, 135;
379/430, 431; 381/380, 381; 455/90.3,
455/575.1

See application file for complete search history.

(56) **References Cited**

U.S. PATENT DOCUMENTS

D254,183 S *	2/1980	Doodson	D14/205
D430,140 S *	8/2000	Roman	D14/205
D491,163 S *	6/2004	Green	D14/205
7,072,483 B2 *	7/2006	Lenhard-Backhaus	381/383
D552,077 S *	10/2007	Brunner et al.	D14/205
D563,382 S *	3/2008	Wikel	D14/205
D573,581 S *	7/2008	Gondo et al.	D14/205
D616,865 S *	6/2010	Marchand et al.	D14/205
D617,769 S *	6/2010	Birger	D14/205
D625,705 S *	10/2010	Ohori et al.	D14/205
D632,668 S *	2/2011	Brunner et al.	D14/205
D634,732 S *	3/2011	Kondo et al.	D14/205
D637,176 S *	5/2011	Brunner et al.	D14/205
D639,776 S *	6/2011	Arimoto	D14/205
D652,406 S *	1/2012	Lee et al.	D14/205
D657,344 S *	4/2012	Brunner et al.	D14/205
D657,776 S *	4/2012	Lee et al.	D14/205
D660,823 S *	5/2012	Hardi et al.	D14/205
D660,824 S *	5/2012	Hardi et al.	D14/205
D662,490 S *	6/2012	McSweyn	D14/205

D663,716 S *	7/2012	Hardi et al.	D14/205
D664,113 S *	7/2012	Katsumata et al.	D14/205
D664,117 S *	7/2012	Tappeiner et al.	D14/205
D666,579 S *	9/2012	Hou	D14/205
D666,992 S *	9/2012	Lee et al.	D14/205
D669,451 S *	10/2012	Tappeiner et al.	D14/205
D671,914 S *	12/2012	Lee et al.	D14/205
D673,136 S *	12/2012	Kelly et al.	D14/205
D673,518 S *	1/2013	Tan	D14/205
D673,520 S *	1/2013	Tan	D14/205
D677,647 S *	3/2013	Lee et al.	D14/205

OTHER PUBLICATIONS

U.S. Appl. No. 29/400,640, filed Aug. 31, 2011; Lee, Noel.
U.S. Appl. No. 29/406,344, filed Nov. 11, 2011; Lee, Noel.
U.S. Appl. No. 29/407,028, filed Nov. 22, 2011; Lee, Noel.
U.S. Appl. No. 29/410,553, filed Jan. 9, 2012; Lee, Noel.
U.S. Appl. No. 29/410,551, filed Jan. 9, 2012; Lee, Noel.
U.S. Appl. No. 29/410,556, filed Jan. 9, 2012; Lee, Noel.

* cited by examiner

Primary Examiner — Paula Greene

(74) *Attorney, Agent, or Firm* — LaRiviere, Grubman & Payne, LLP

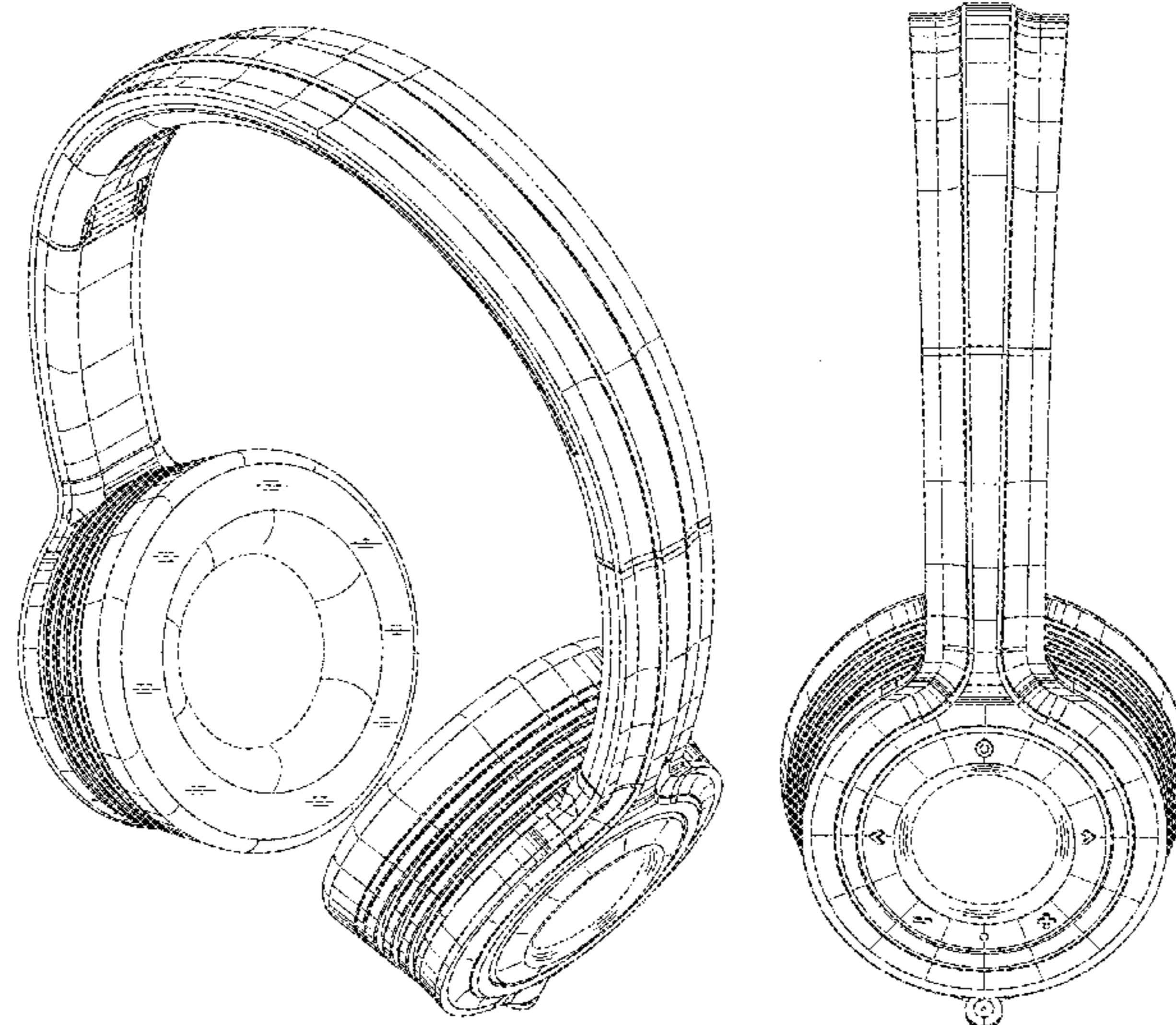
(57) **CLAIM**

The ornamental design for headphones, as shown and described.

DESCRIPTION

FIG. 1 is a perspective view of headphones, showing our design;
FIG. 2 is front view thereof;
FIG. 3 is a rear view thereof;
FIG. 4 is a side view thereof;
FIG. 5 is an opposing side view thereof;
FIG. 6 is a top view thereof; and,
FIG. 7 is a bottom view thereof.
The broken lines showing the environment are for illustrative purposes only and form no part of the claimed design.

1 Claim, 5 Drawing Sheets



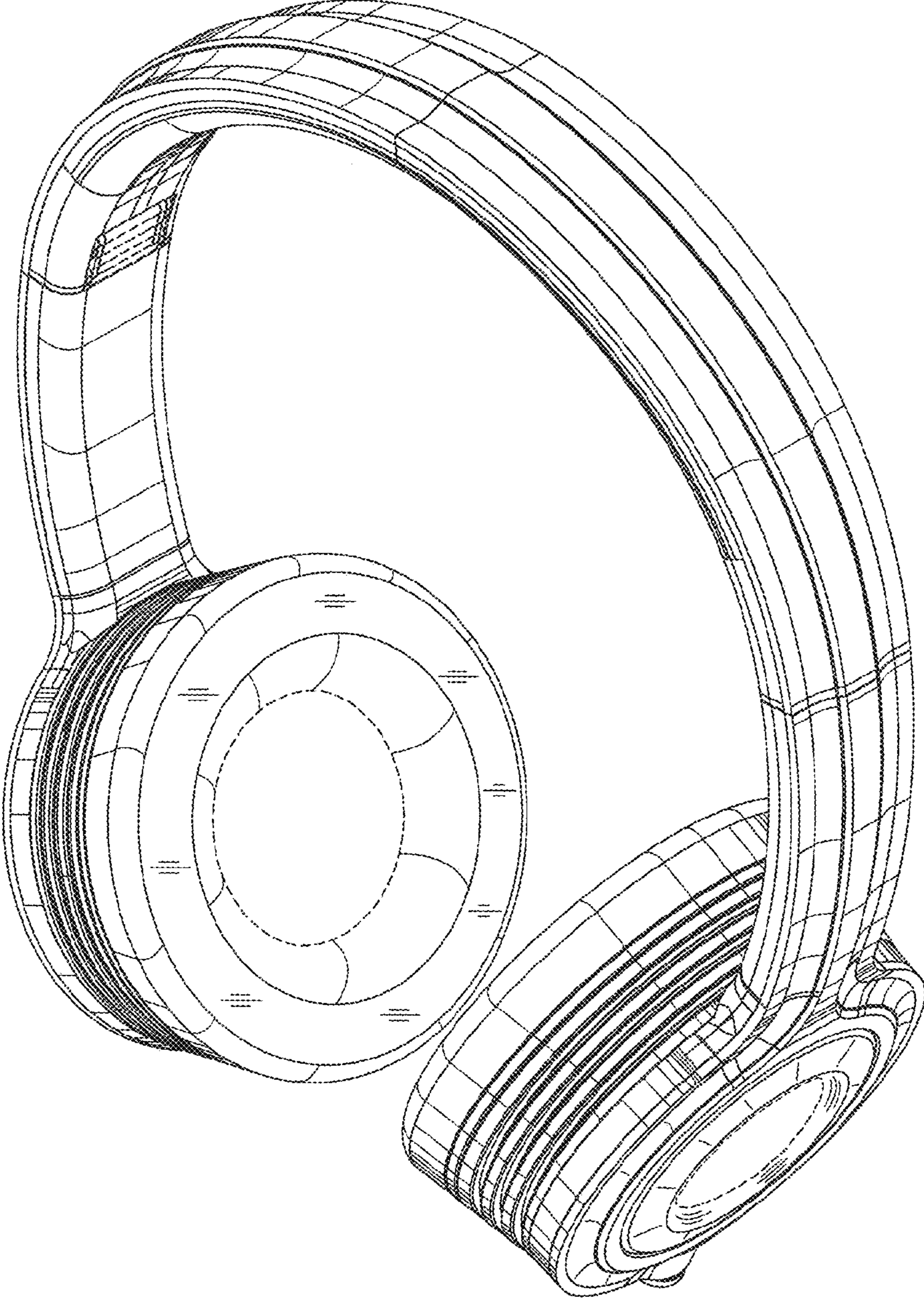


FIG. 1

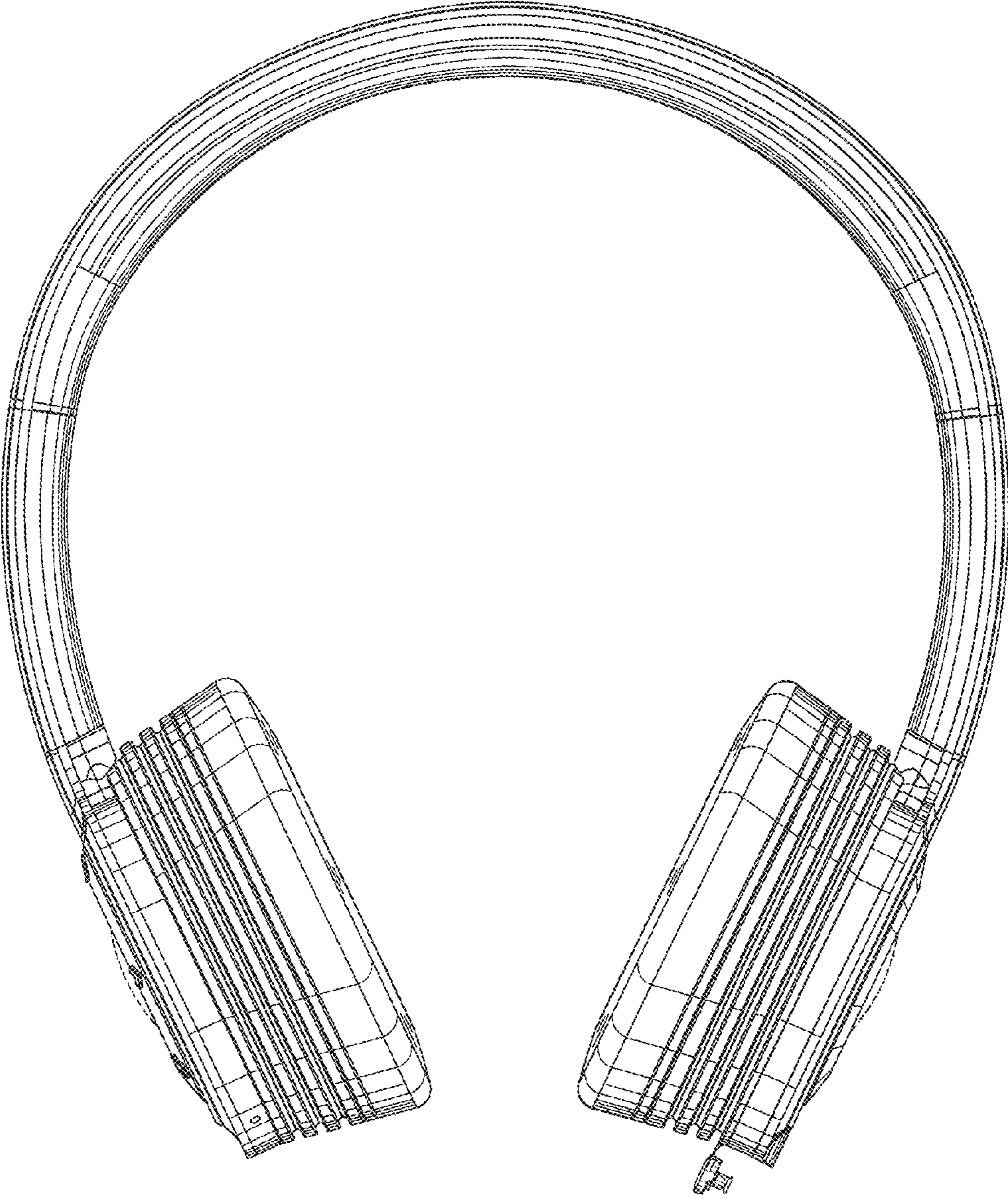


FIG. 2

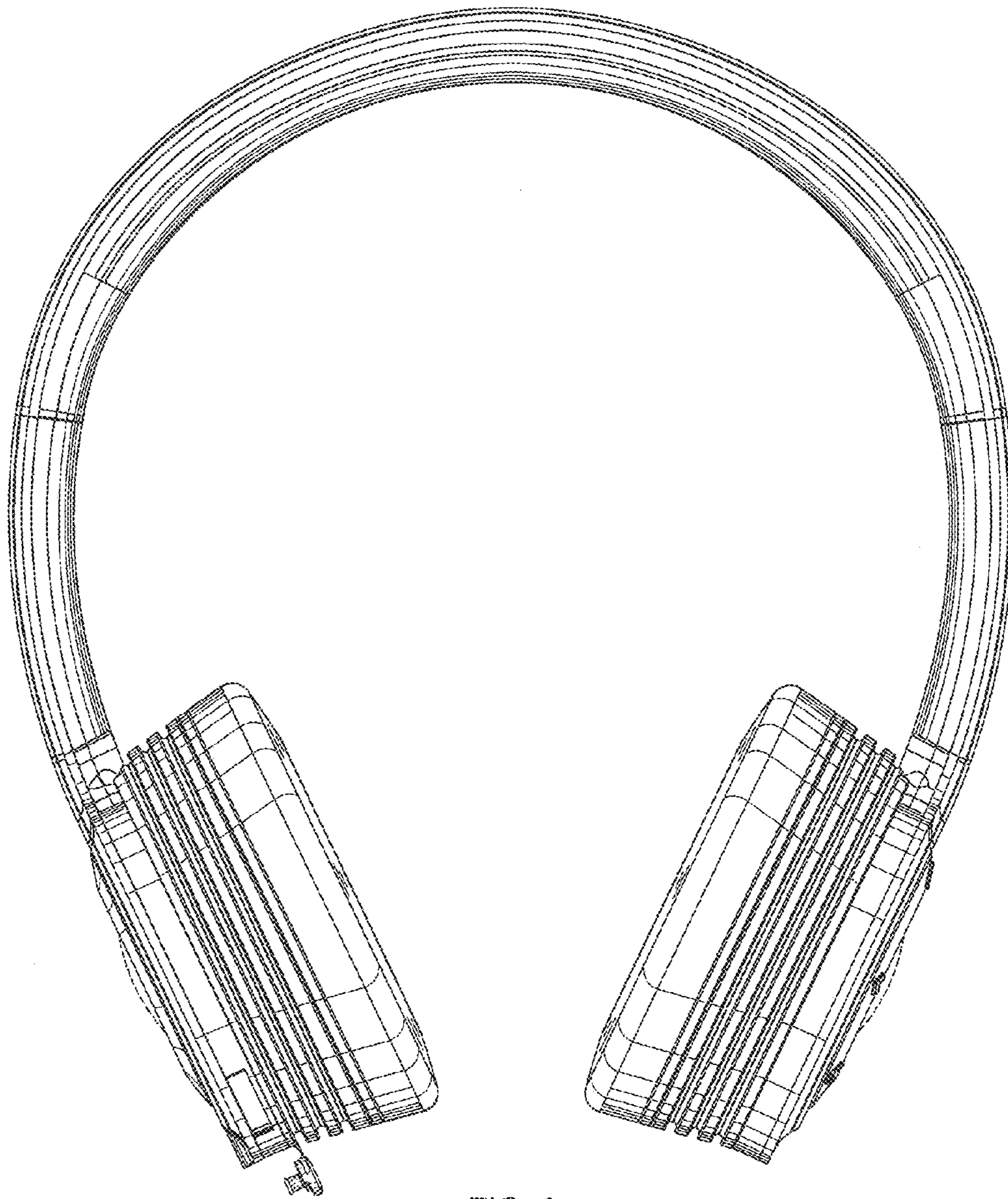


FIG. 3

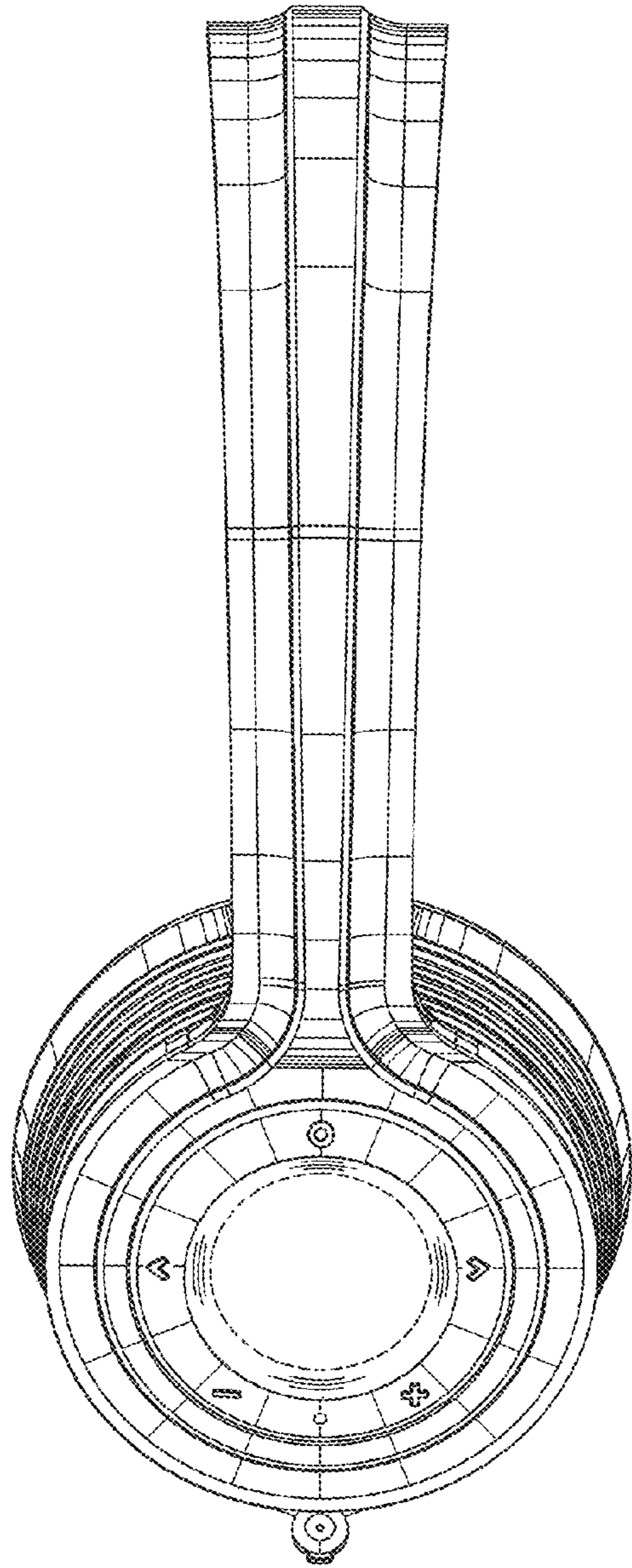


FIG. 4

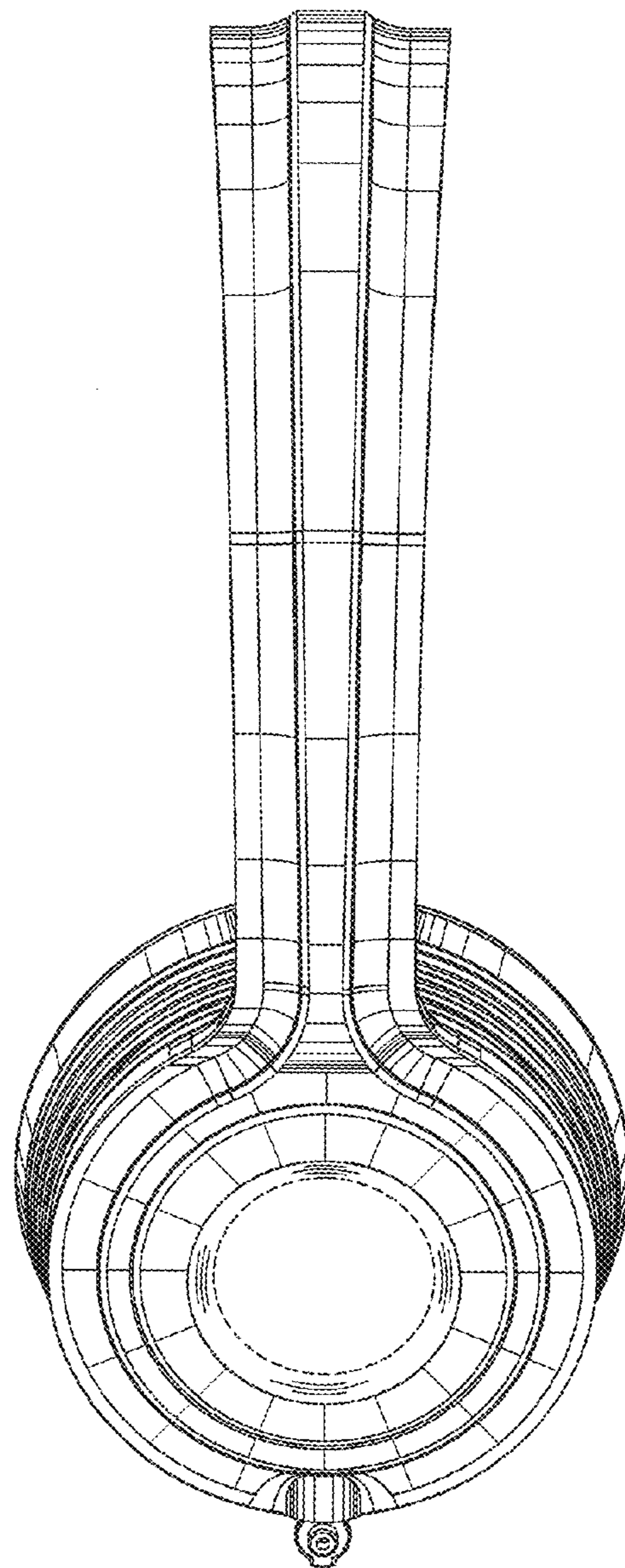


FIG. 5

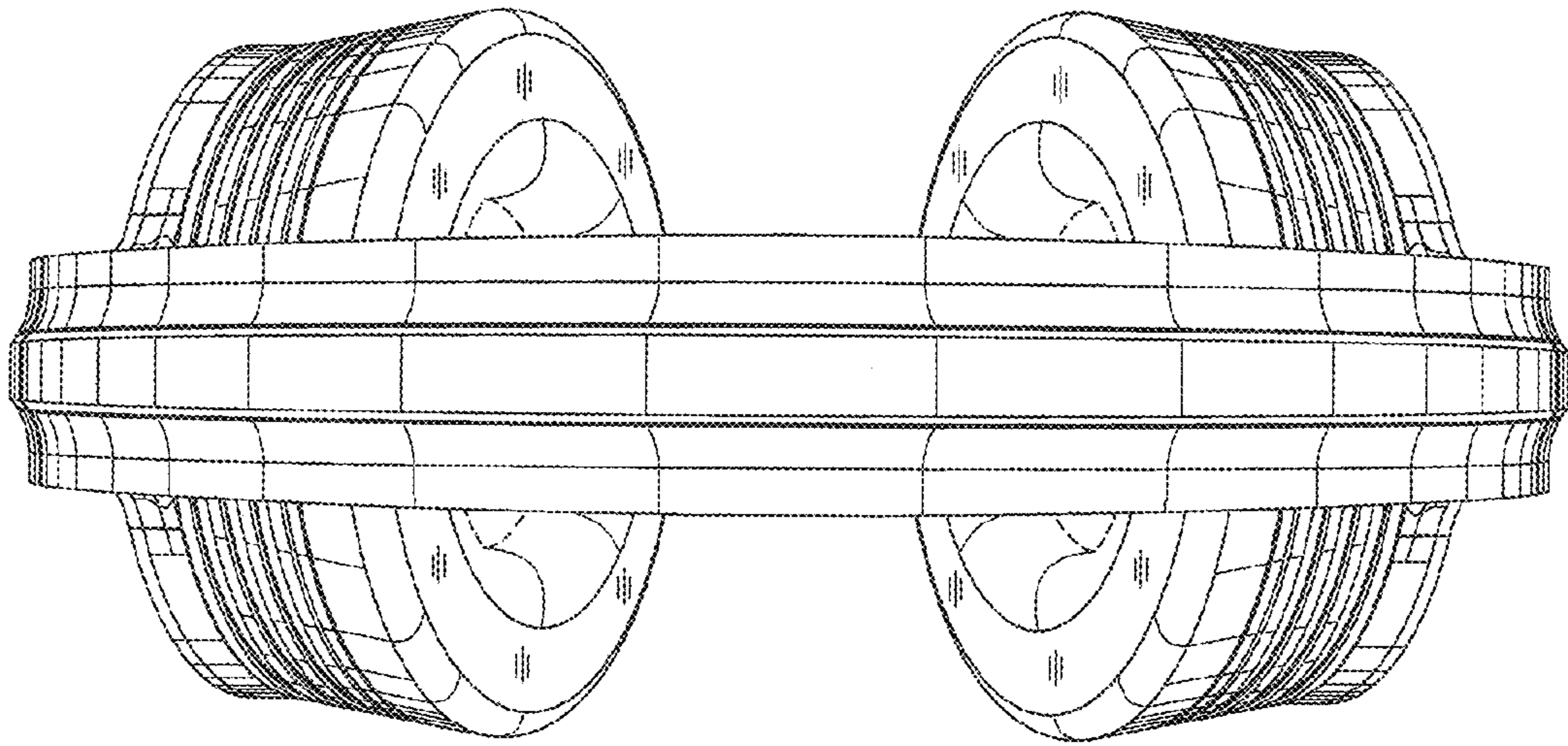


FIG. 6

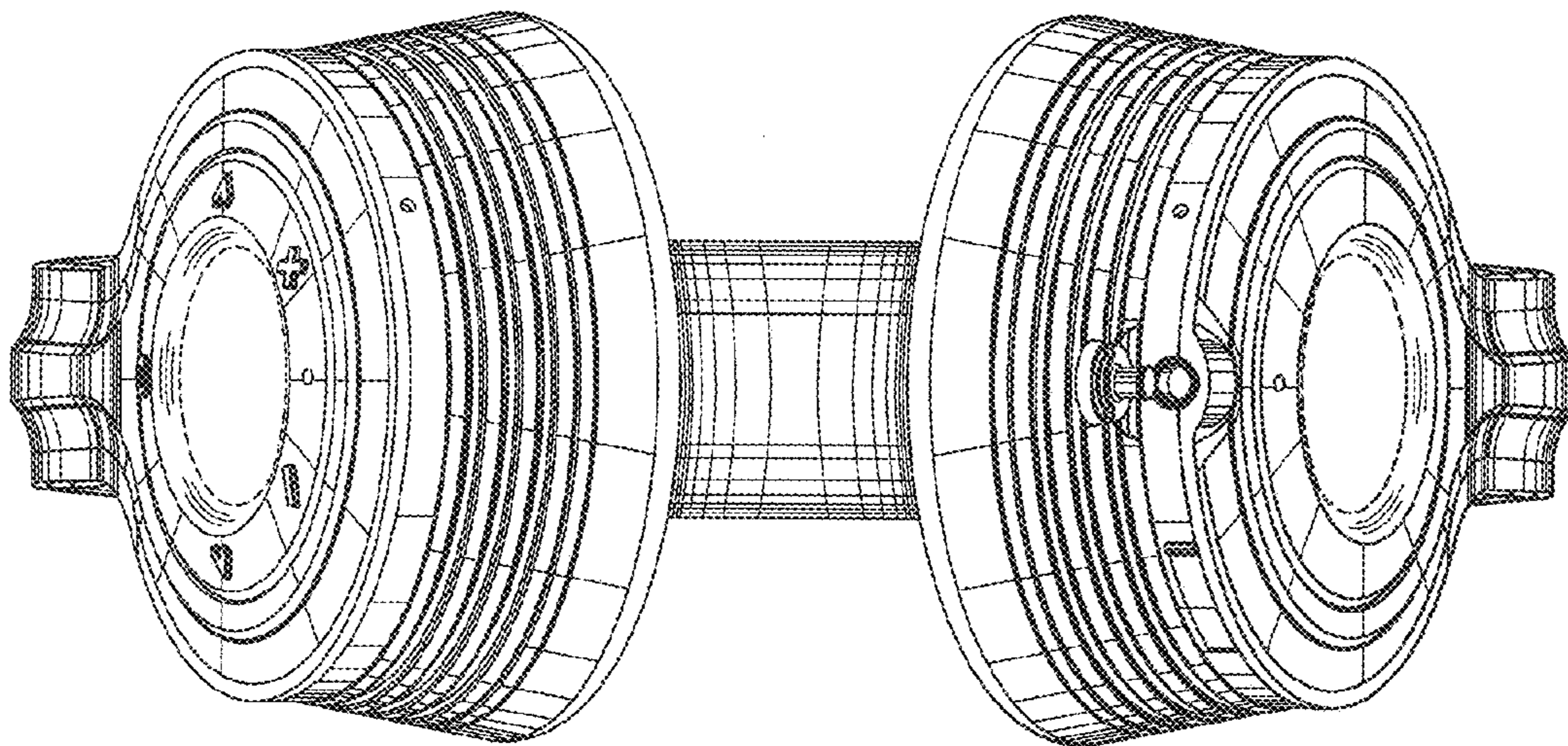


FIG. 7