



US00D694215S

(12) **United States Design Patent**  
**Birger**

(10) **Patent No.:** **US D694,215 S**

(45) **Date of Patent:** **\*\* Nov. 26, 2013**

(54) **MUSIC PLAYER FOR A HEADSET**

(75) Inventor: **Johan Birger**, Malmö (SE)

(73) Assignee: **GN Netcom A/S** (DK)

(\*\*) Term: **14 Years**

(21) Appl. No.: **29/429,965**

(22) Filed: **Aug. 20, 2012**

(30) **Foreign Application Priority Data**

Feb. 21, 2012 (EM) ..... 001995572-0001

(51) **LOC (9) Cl.** ..... **14-03**

(52) **U.S. Cl.**  
USPC ..... **D14/203.5**; D14/496

(58) **Field of Classification Search**  
USPC ..... D14/496, 401, 435, 474, 483, 217, 137,  
D14/138, 160, 168, 356, 203.1–203.8, 507;  
345/156, 169, 173–179, 905;  
715/727–729, 864; 710/1, 5, 8; 713/1,  
713/600; 455/1.1, 1.7, 73, 344–347, 93, 95,  
455/3.01–3.06, 550.1, 573.1; 370/342–344;  
369/1, 2, 6–12; 463/43–47; 273/148 B,  
273/308, 440, 429–432

See application file for complete search history.

(56) **References Cited**

U.S. PATENT DOCUMENTS

D385,036	S	*	10/1997	Nielsen	.....	D24/174
D481,372	S	*	10/2003	Brown	.....	D14/203.5
D502,164	S	*	2/2005	Ko et al.	.....	D14/203.5
D506,258	S	*	6/2005	Nielsen	.....	D24/174
6,961,440	B1	*	11/2005	Schlaegel	.....	381/382
7,139,404	B2	*	11/2006	Feeley et al.	.....	381/330
D533,184	S	*	12/2006	Kim	.....	D14/203.5
D620,535	S	*	7/2010	Thomas	.....	D21/333
D625,737	S	*	10/2010	van Alphen et al.	.....	D14/496
7,945,297	B2	*	5/2011	Philipp	.....	455/575.2
D643,400	S	*	8/2011	Wahl et al.	.....	D14/203.5
8,045,727	B2	*	10/2011	Philipp	.....	381/74
8,218,799	B2	*	7/2012	Murphy et al.	.....	381/309

\* cited by examiner

*Primary Examiner* — Prabhakar Deshmukh

(74) *Attorney, Agent, or Firm* — Altera Law Group, LLC

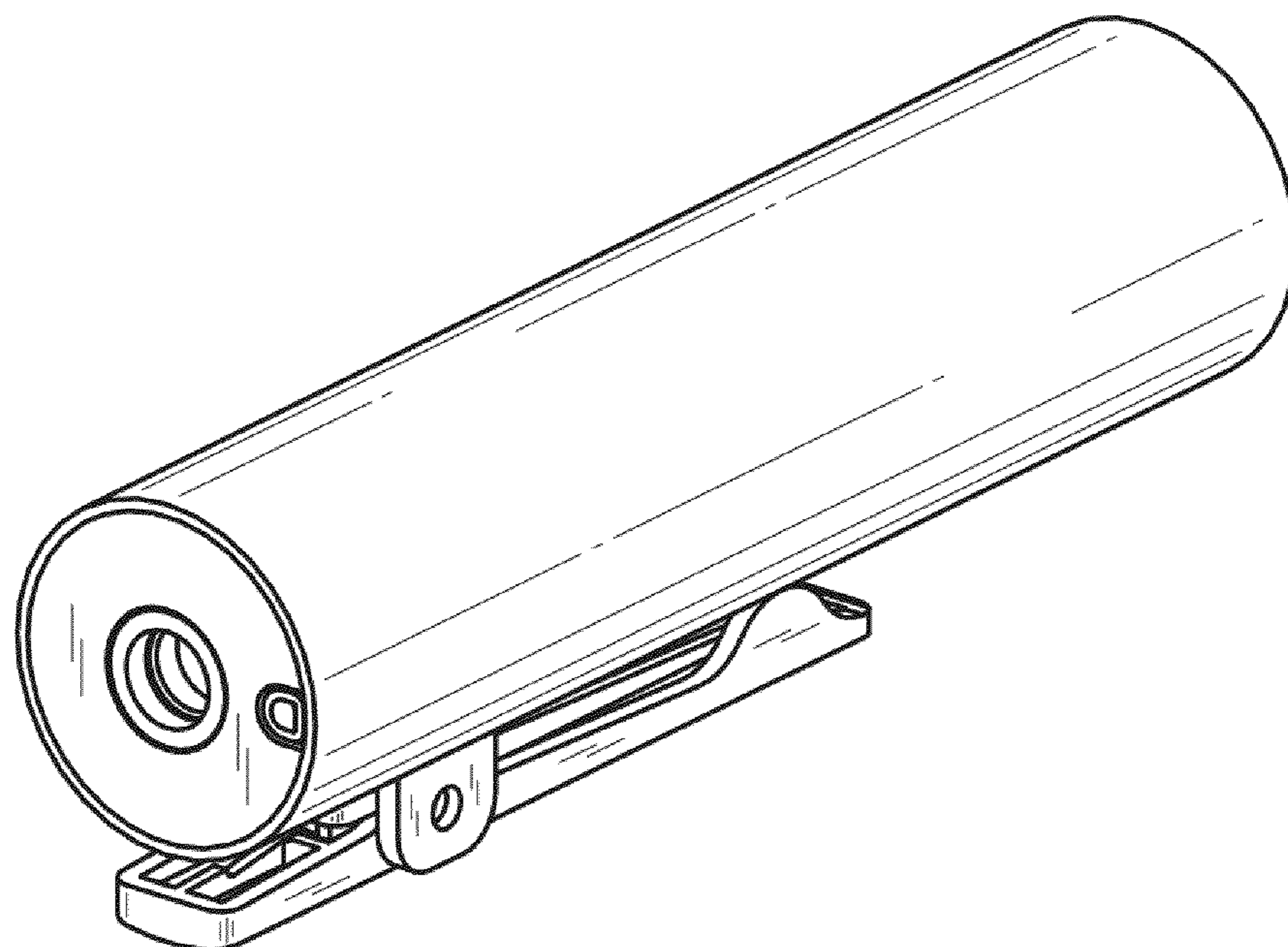
(57) **CLAIM**

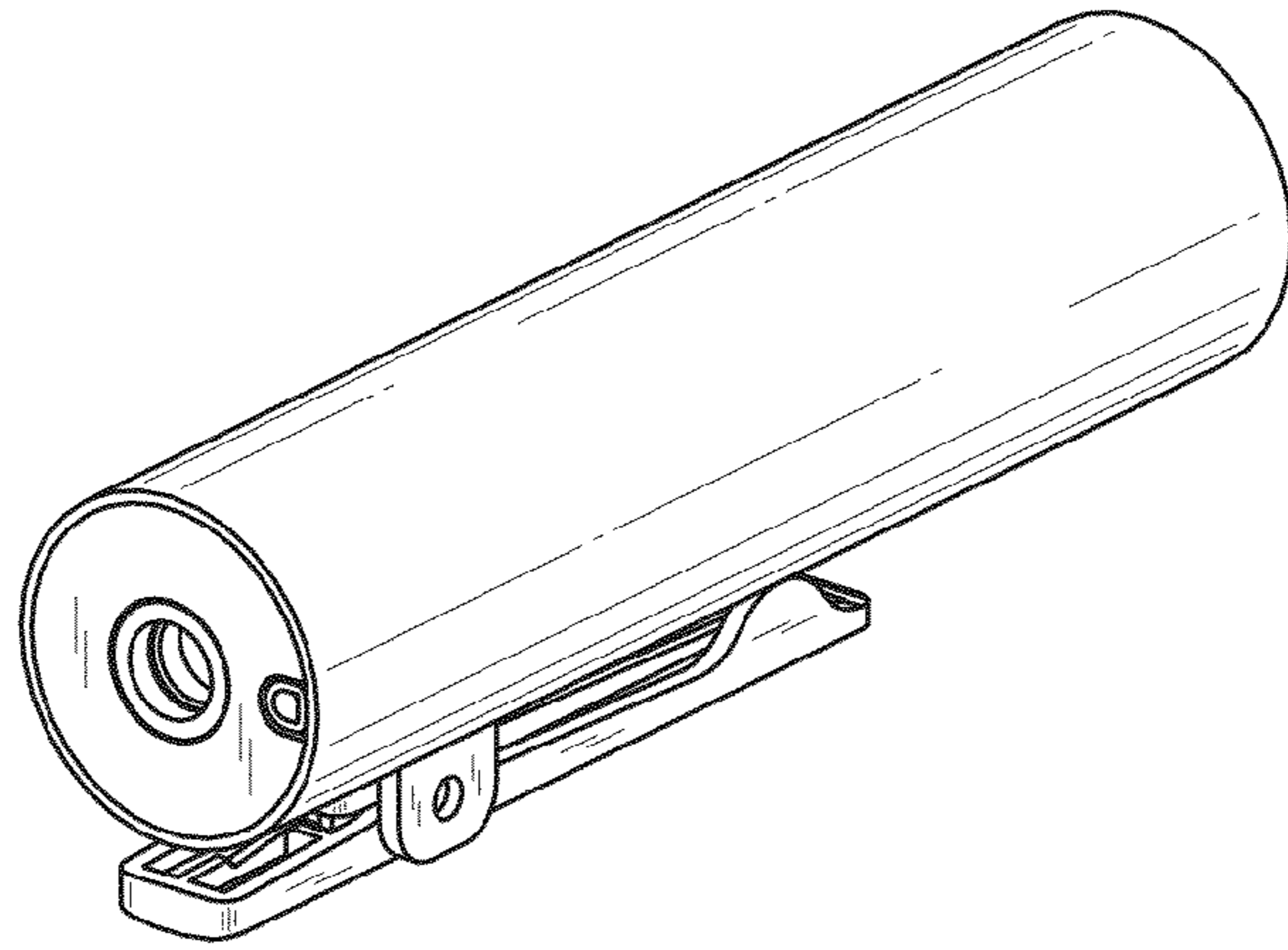
The ornamental design for a music player for a headset, as shown and described.

**DESCRIPTION**

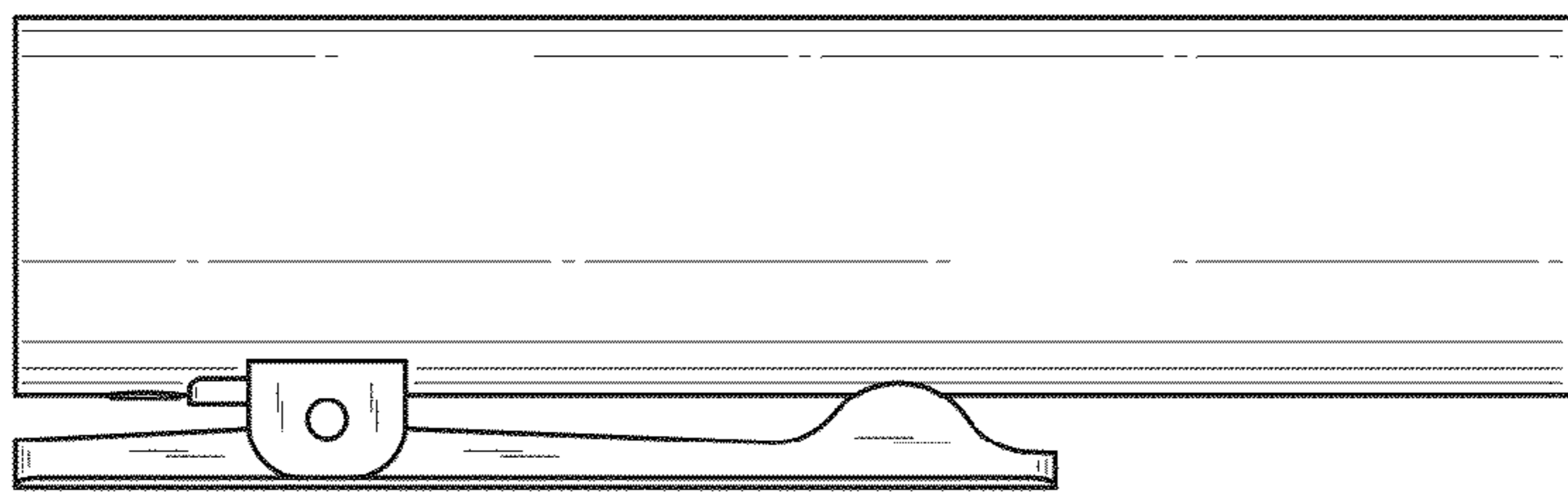
FIG. 1 is a perspective view of a music player for a headset showing my new design;  
FIG. 2 is a right side elevational view thereof;  
FIG. 3 is a left side elevational view thereof;  
FIG. 4 is a top plan view thereof;  
FIG. 5 is a bottom plan view thereof;  
FIG. 6 is a front elevational view thereof; and,  
FIG. 7 is a rear elevational view thereof.

**1 Claim, 2 Drawing Sheets**

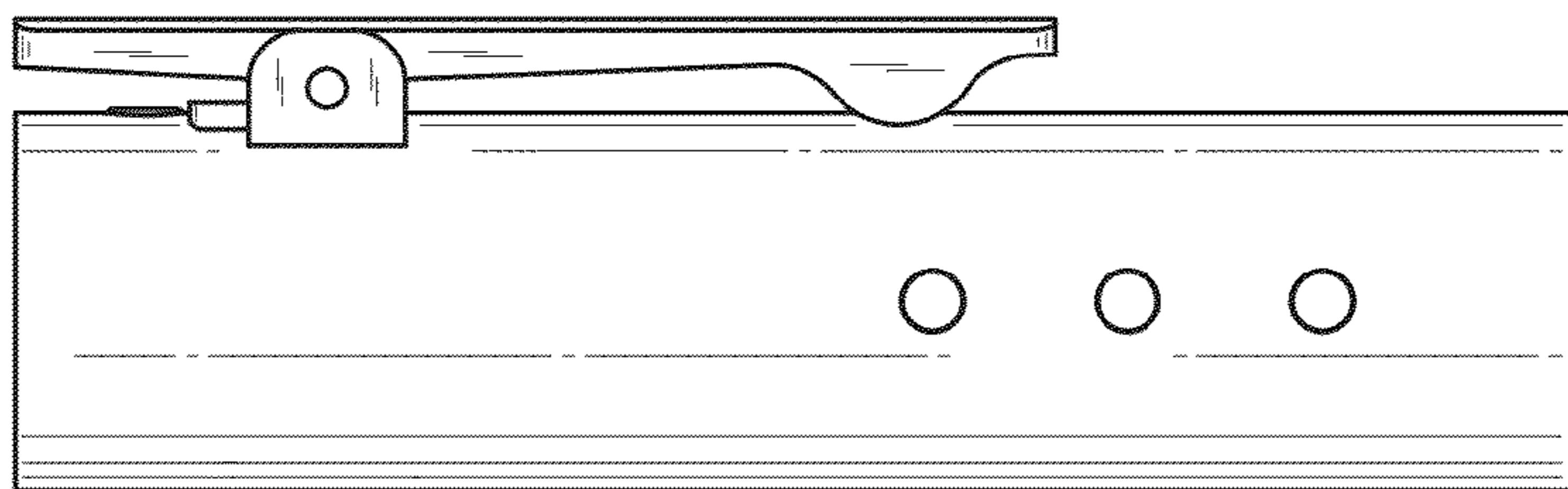




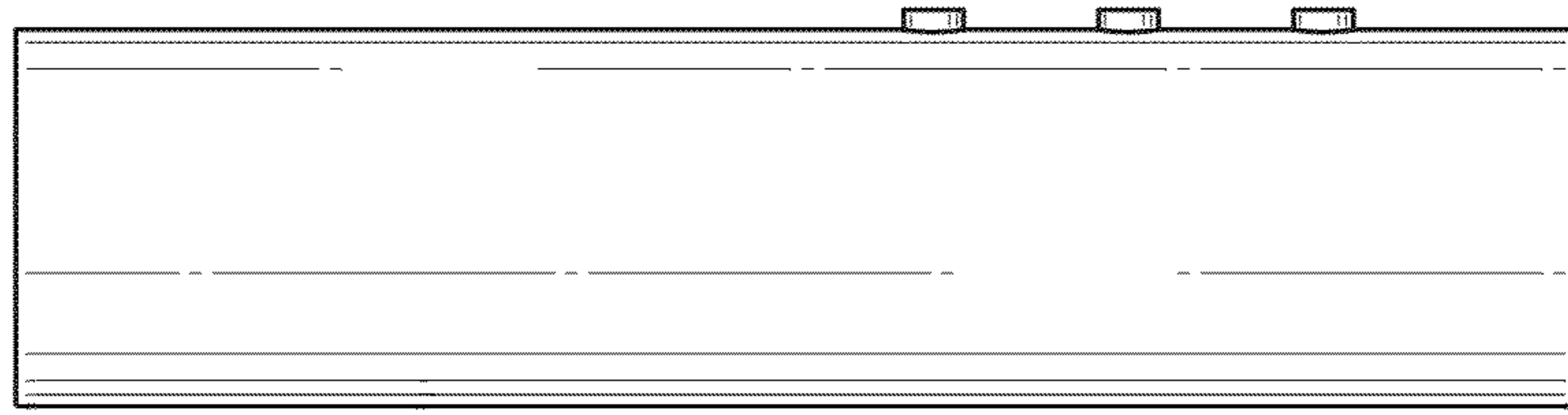
**Fig. 1**



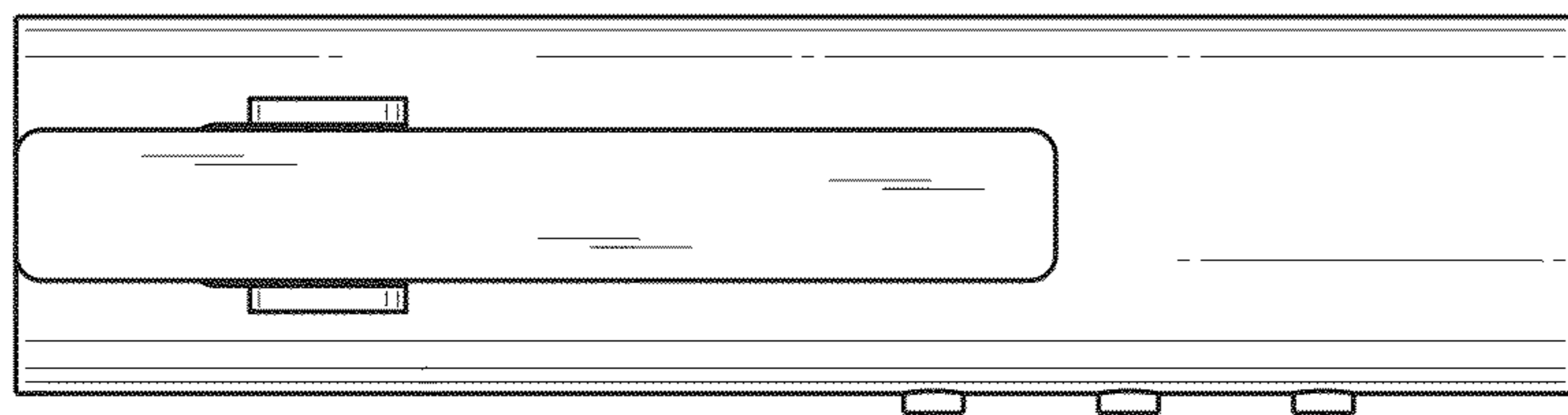
**Fig. 2**



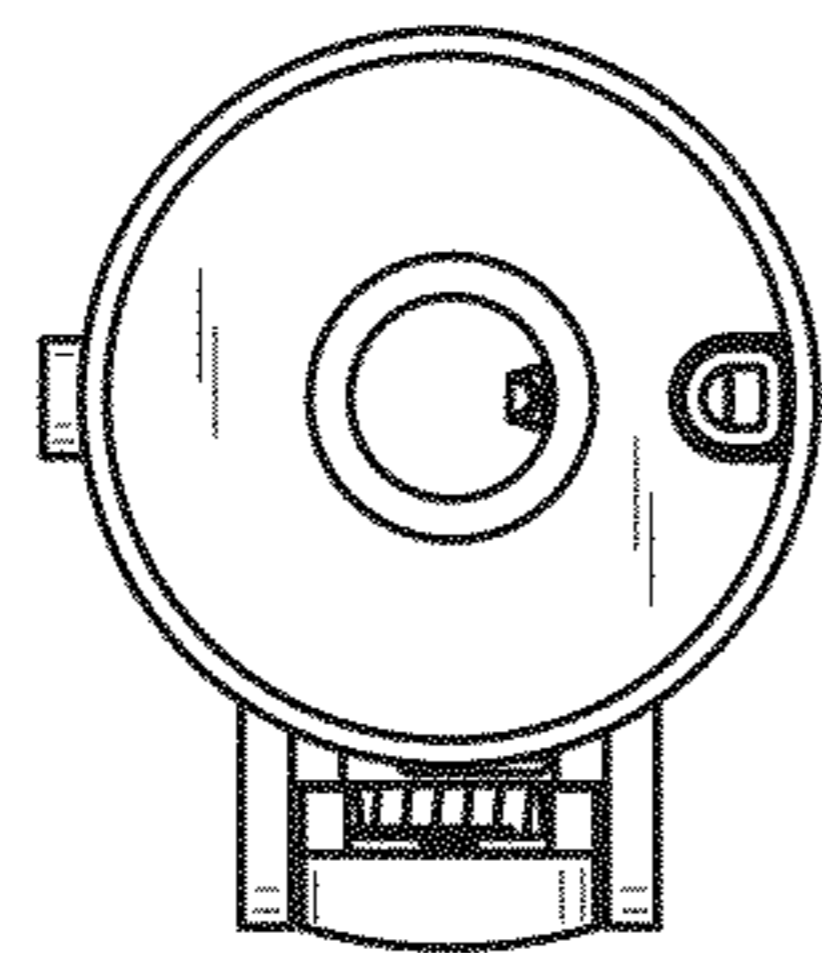
**Fig. 3**



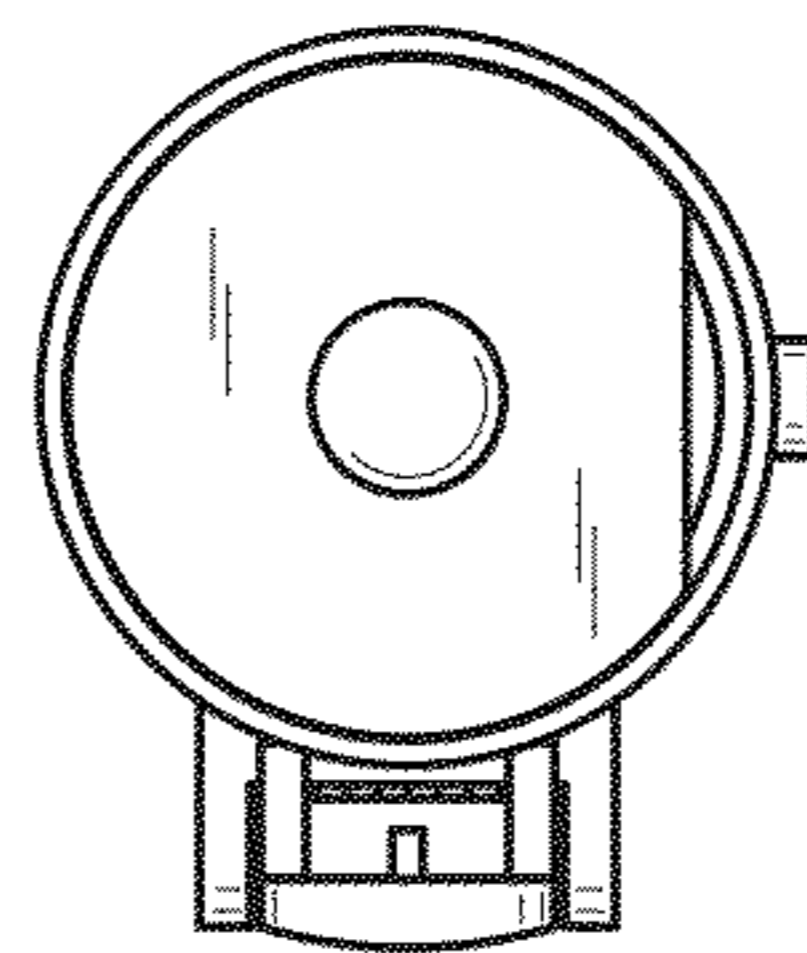
**Fig. 4**



**Fig. 5**



**Fig. 6**



**Fig. 7**