



US00D694208S

(12) **United States Design Patent**
Duys et al.

(10) **Patent No.:** **US D694,208 S**
(45) **Date of Patent:** **** Nov. 26, 2013**

(54) **DISPLAY**

(71) Applicant: **Polycom, Inc.**, San Jose, CA (US)

(72) Inventors: **Anthony Duys**, Merrimac, MA (US);
Nigel Taylor, Maple Ridge (CA);
Yik-Lap Ng, Burnaby (CA); **Crispian (Pip) Grant Tompkin**, Los Angeles, CA (US)

(73) Assignee: **Polycom, Inc.**, San Jose, CA (US)

(**) Term: **14 Years**

(21) Appl. No.: **29/433,965**

(22) Filed: **Oct. 7, 2012**

(51) **LOC (9) Cl.** **14-03**

(52) **U.S. Cl.**

USPC **D14/126**

(58) **Field of Classification Search**

USPC D14/125-134, 239, 371, 136, 374-377,
D14/440, 450, 448, 336, 342, 159; 312/7.2;
348/836, 838, 180, 184, 325, 739;
341/12; 248/917-924, 465; 345/104,
345/133, 156, 168, 87, 173; 720/605, 669,
720/600, 655; 369/99, 197; D21/329, 515,
D21/577, 622, 333, 433, 448, 452, 450,
D21/331; D6/477, 479, 300-310;
273/148 B; 446/484, 175, 356; D10/15,
D10/26

See application file for complete search history.

(56) **References Cited**

U.S. PATENT DOCUMENTS

D502,931 S * 3/2005 Kita D14/126
D510,920 S 10/2005 Tandberg et al.
D532,387 S 11/2006 Lukie et al.

D545,778 S * 7/2007 Isshiki D14/126
D545,780 S * 7/2007 Kita D14/126
D559,210 S 1/2008 Brown et al.
D559,211 S 1/2008 Brown et al.
D579,888 S 11/2008 Lunde et al.
D588,560 S 3/2009 Mellingen et al.
D609,662 S 2/2010 Noreng et al.
D616,404 S 5/2010 Roed et al.
D684,944 S * 6/2013 Seong D14/126
2006/0237599 A1 * 10/2006 Ternus et al. 248/176.1

OTHER PUBLICATIONS

Polycom, Inc., "Polycom(R) HDX 4000(TM) Series," Product Datasheet, dated Dec. 19, 2008.

(Continued)

Primary Examiner — Raphael Barkai

(74) *Attorney, Agent, or Firm* — Wong, Cabello, Lutsch, Rutherford & Brucculeri, LLP

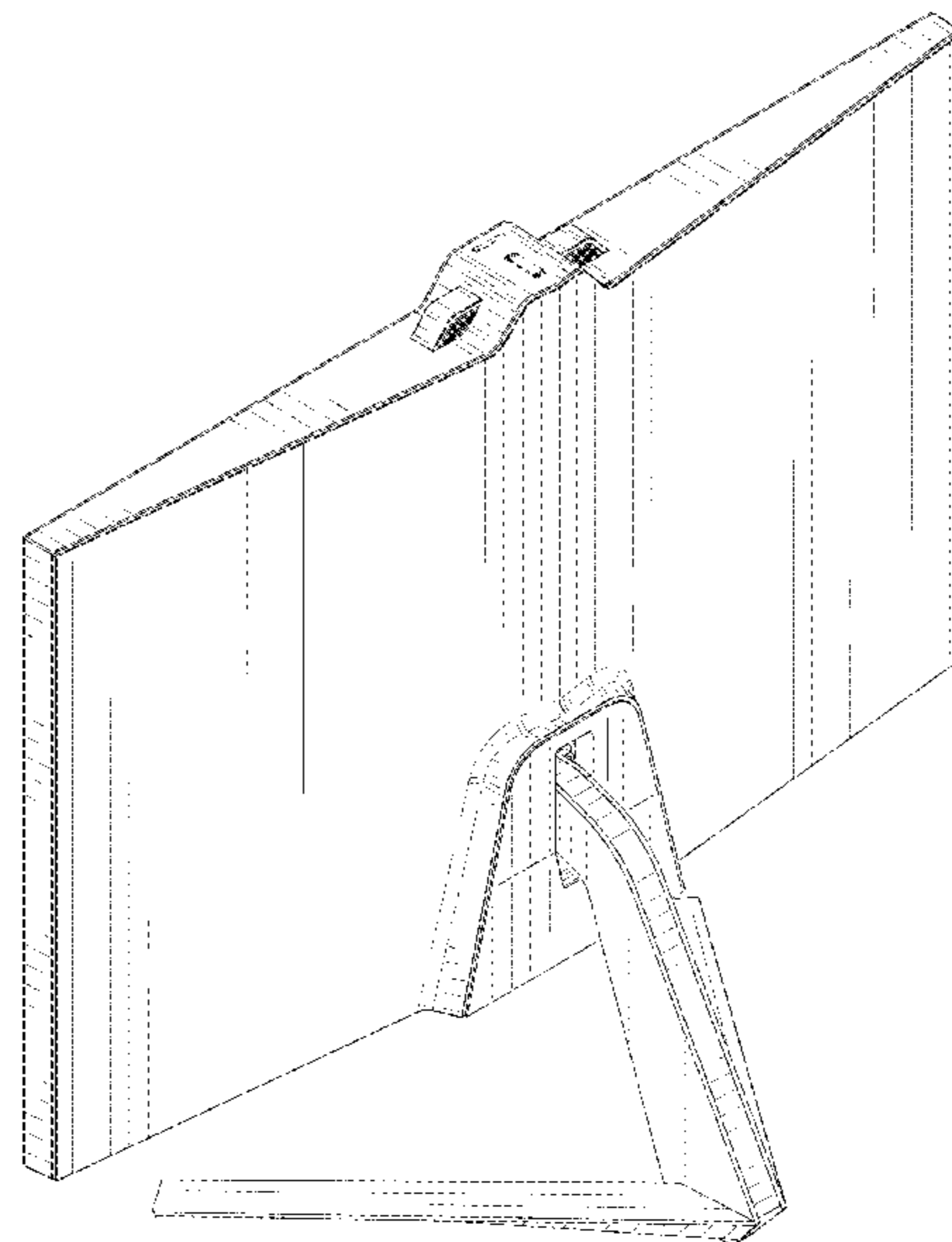
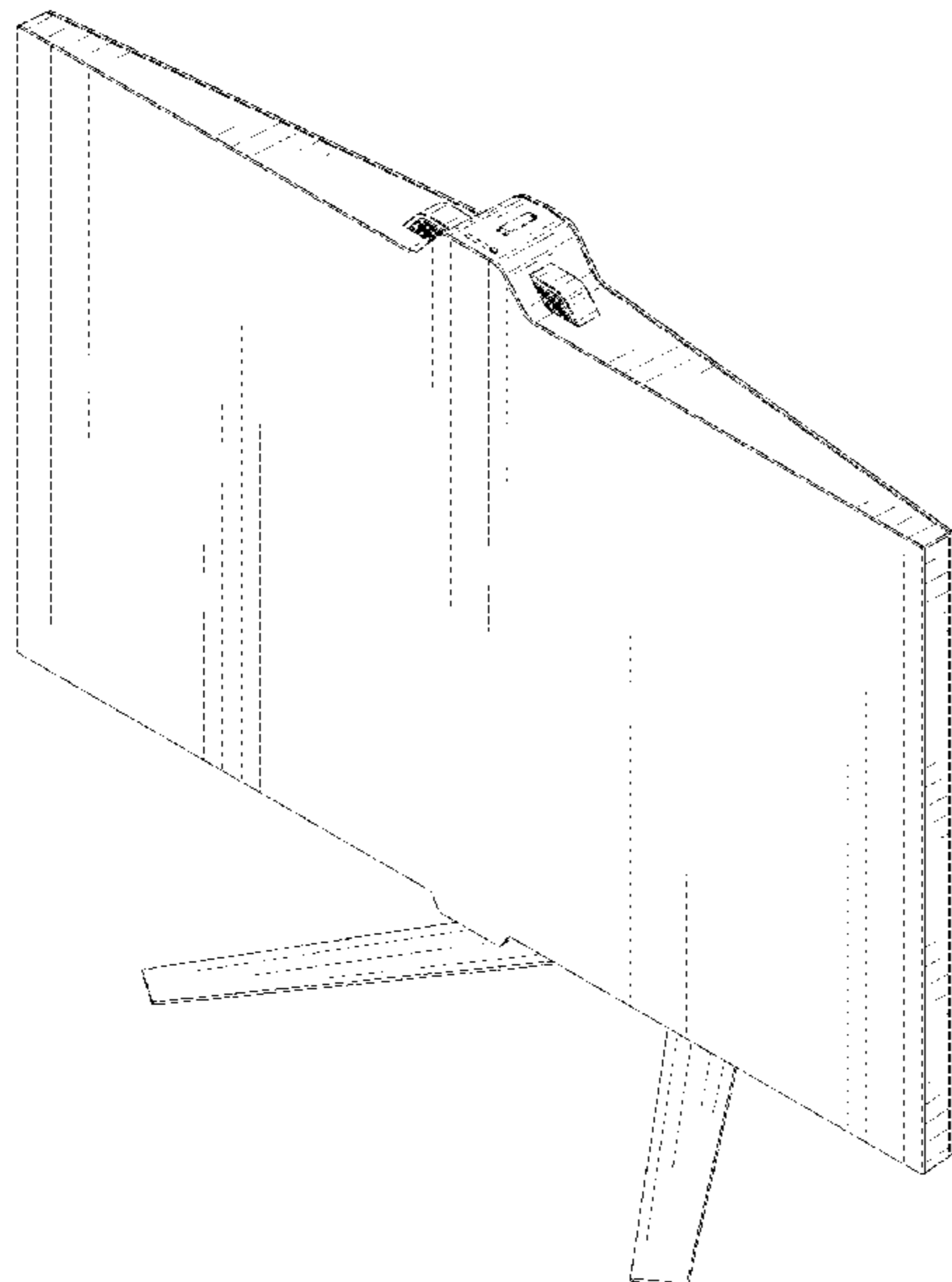
(57) **CLAIM**

The ornamental design for a display, as shown and described.

DESCRIPTION

FIG. 1 is a perspective view showing the front, top, and left side of a display according to our new design;
FIG. 2 is a perspective view showing the back, top, and left side of the display;
FIG. 3 is a front elevational view of the front of the display;
FIG. 4 is a back elevational view of the back of the display;
FIG. 5 is a side elevational view of the left side of the display;
FIG. 6 is another side elevational view of the right side of the display;
FIG. 7 is a top plan view of the top of the display; and,
FIG. 8 is a bottom plan view of the bottom of the display.
The broken lines showing in FIGS. 1 through 8 are for illustrative purposes only and form no part of the claimed design.

1 Claim, 6 Drawing Sheets



(56)

References Cited

OTHER PUBLICATIONS

Polycom, Inc., "Polycom(R) HDX(R) 4000 Series," Product Datasheet, copyright 2012.

Polycom, Inc., "Polycom(R) HDX 6000 Series View Media Center," Product Datasheet, copyright 2010.

Polycom, Inc., "Polycom(R) HDX(R) 7000 Series," Product Datasheet, copyright 2012.

Polycom, Inc., "Polycom(R) HDX(R) Series," Product Brochure, copyright 2011.

Polycom, Inc., "Getting Started Guide for the V Series," Product Guide, dated Mar. 2010.

Polycom, Inc., "Polycom(R) VSX(TM) 3000," Product Datasheet, copyright 2006.

* cited by examiner

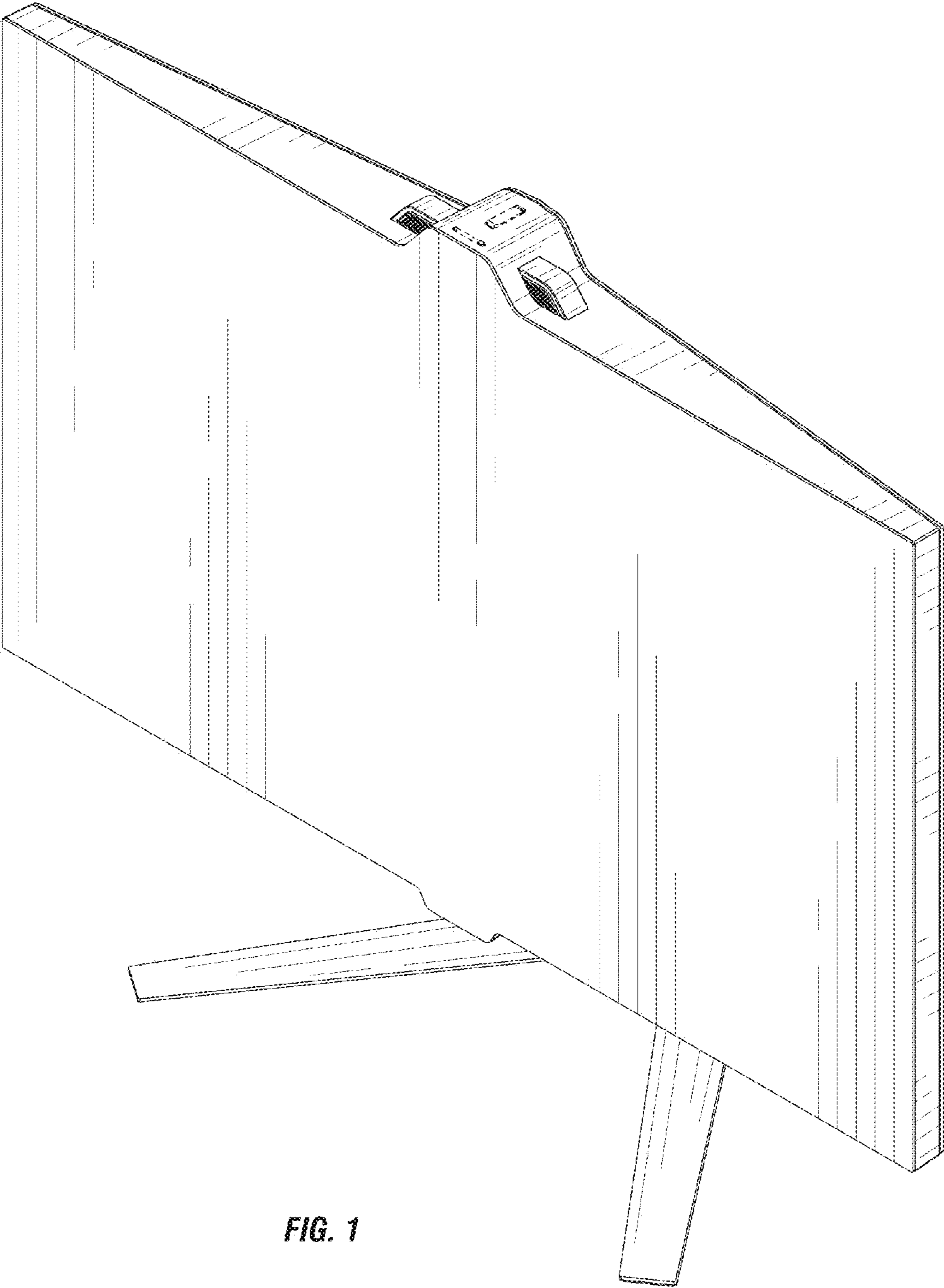


FIG. 1

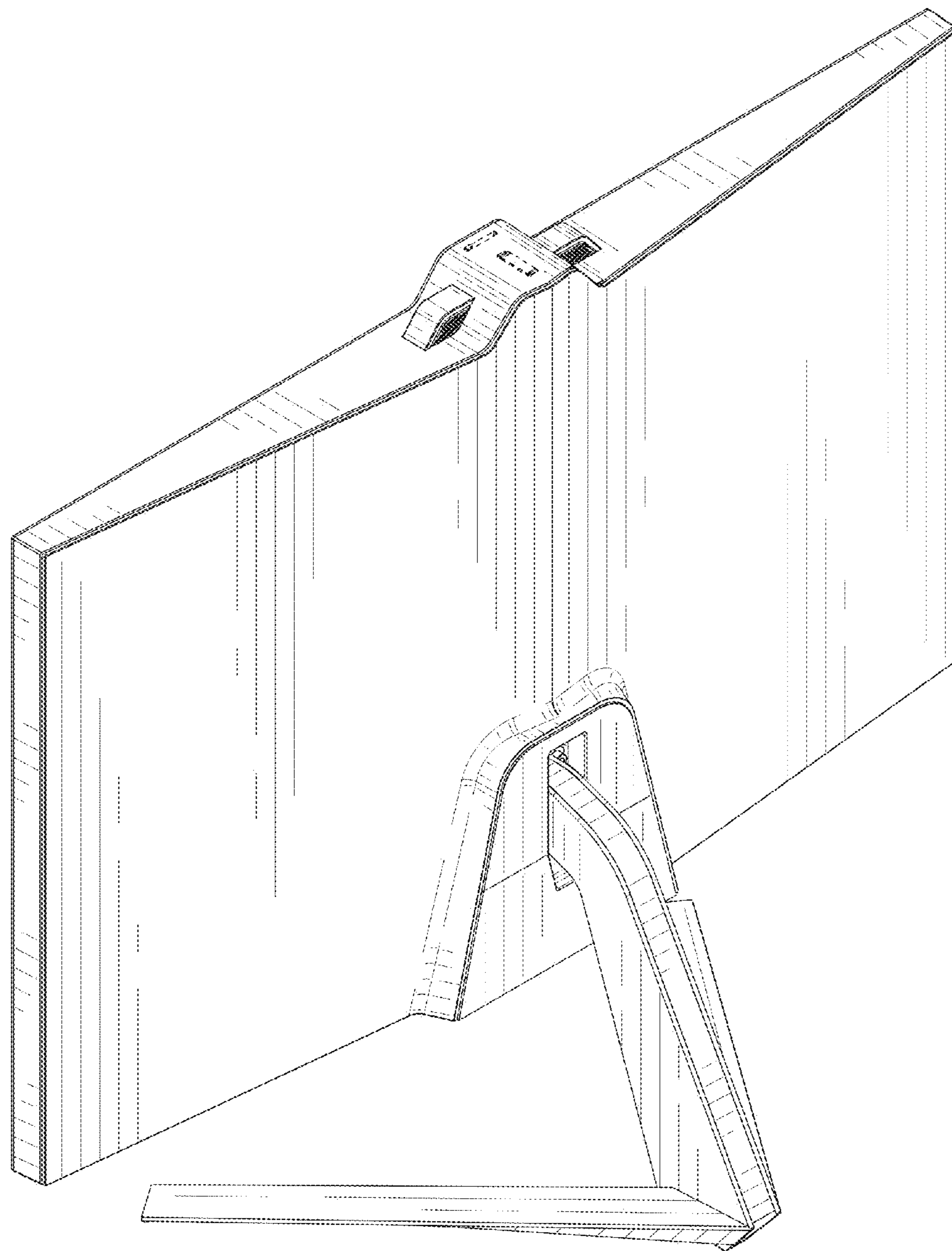


FIG. 2

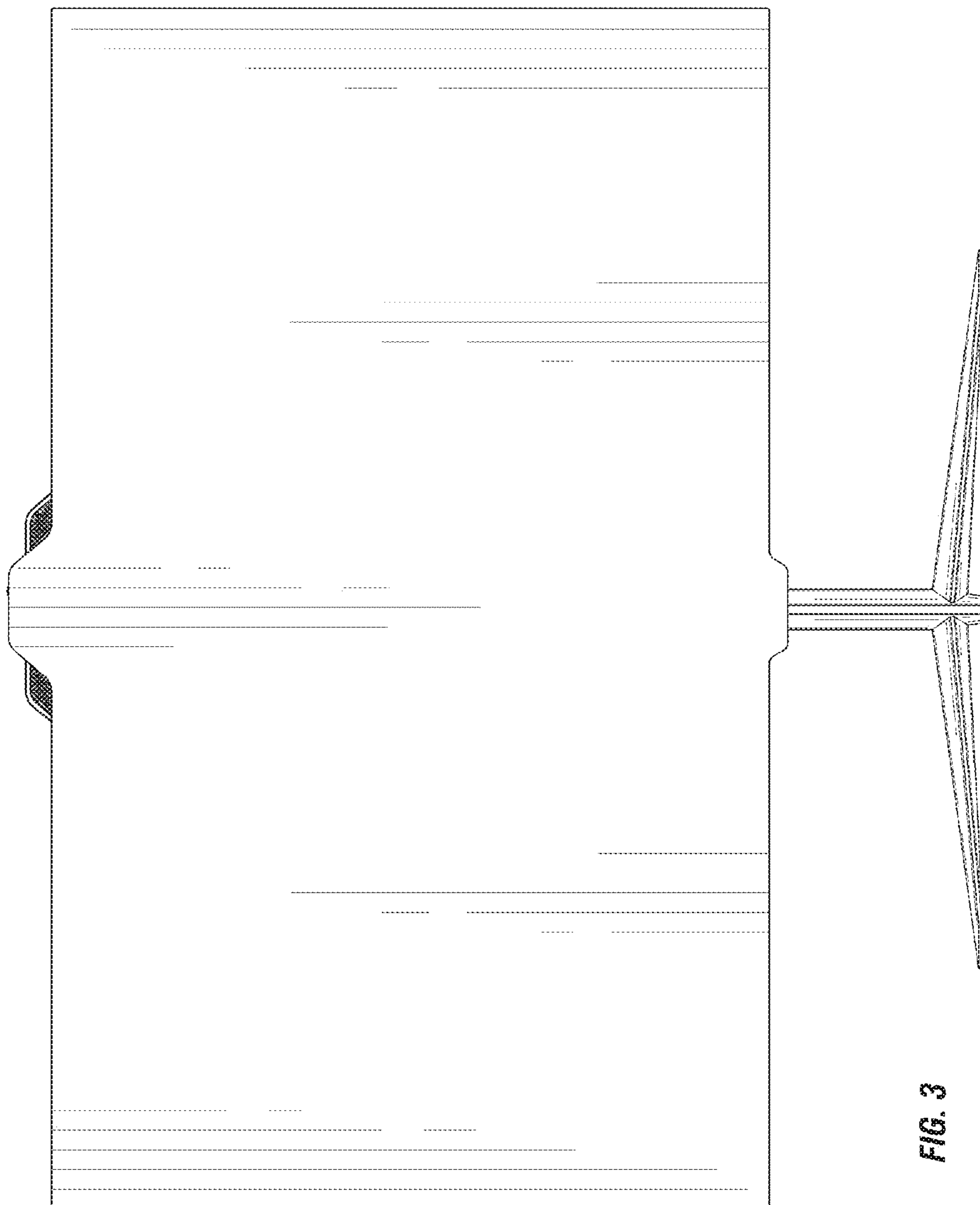


FIG. 3

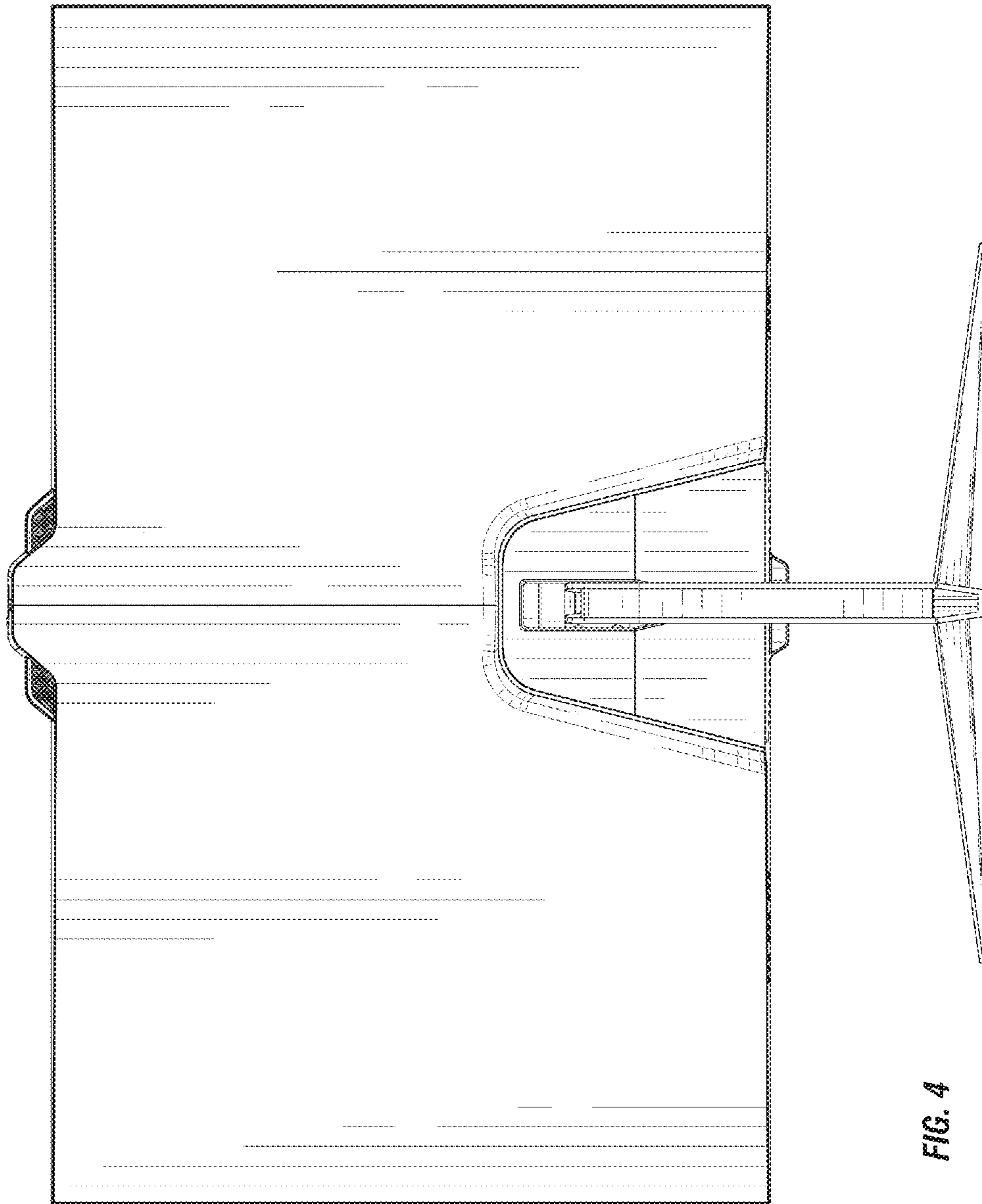


FIG. 4

