

US00D694206S

(12) **United States Design Patent**  
**Seo et al.**

(10) **Patent No.:** **US D694,206 S**

(45) **Date of Patent:** **\*\* Nov. 26, 2013**

(54) **MONITOR**

(75) Inventors: **Young-Jin Seo**, Seoul (KR); **Tae-Yeon Won**, Seoul (KR)

(73) Assignee: **Samsung Electronics Co., Ltd.**, Suwon-Si (KR)

(\*\*) Term: **14 Years**

(21) Appl. No.: **29/428,573**

(22) Filed: **Aug. 1, 2012**

(30) **Foreign Application Priority Data**

Feb. 9, 2012 (KR) ..... 30-2012-0005941

(51) **LOC (9) Cl.** ..... **14-03**

(52) **U.S. Cl.**  
USPC ..... **D14/126**

(58) **Field of Classification Search**  
USPC ..... D14/125–134, 239, 371, 136, 374–377,  
D14/440, 450, 448, 336, 342, 159; 312/7.2;  
348/836, 838, 180, 184, 325, 739;  
341/12; 248/917–924, 465; 345/104,  
345/133, 156, 168, 87, 173; 720/605, 669,  
720/600, 655; 369/99, 197; D21/329, 515,  
D21/577, 622, 333, 433, 448, 452, 450,  
D21/331; D6/477, 479, 300–310;  
273/148 B; 446/484, 175, 356; D10/15,  
D10/26

See application file for complete search history.

(56) **References Cited**

**U.S. PATENT DOCUMENTS**

D439,224 S 3/2001 Kita  
D471,893 S 3/2003 Jung  
D472,897 S 4/2003 Park  
D494,941 S 8/2004 Kim  
D499,386 S 12/2004 Yang  
D512,424 S 12/2005 Kim

D520,975 S 5/2006 Kim et al.  
D521,511 S 5/2006 Kim et al.  
D521,996 S 5/2006 Kim et al.  
D521,997 S 5/2006 Park et al.  
D524,313 S 7/2006 Boo et al.  
D527,003 S 8/2006 Kim et al.  
D528,115 S 9/2006 Yoon  
D528,116 S 9/2006 Won et al.  
D529,019 S 9/2006 Lim  
D529,910 S 10/2006 Ota

(Continued)

**FOREIGN PATENT DOCUMENTS**

KR 3001890590000 11/1996  
KR 3001890600000 11/1996

(Continued)

**OTHER PUBLICATIONS**

U.S. Appl. No. 29/419,038, Applicant: Lee, et al., filed Apr. 24, 2012, entitled Monitor.

(Continued)

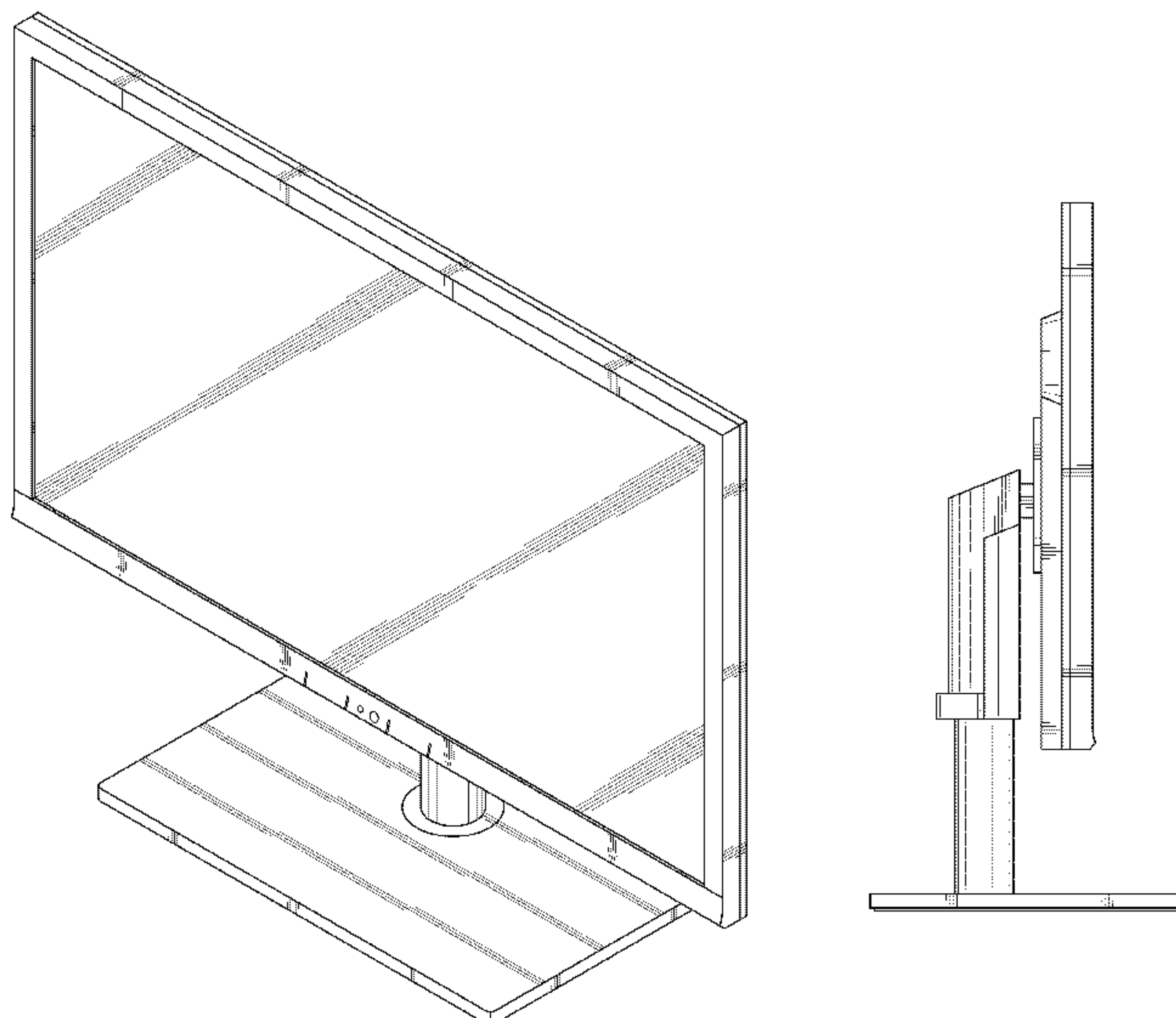
*Primary Examiner* — Raphael Barkai  
(74) *Attorney, Agent, or Firm* — Wood, Herron & Evans, LLP

(57) **CLAIM**  
The ornamental design for a monitor, as shown and described.

**DESCRIPTION**

FIG. 1 is a top front perspective view of a monitor showing our new design;  
FIG. 2 is a front elevational view thereof;  
FIG. 3 is a rear elevational view thereof;  
FIG. 4 is a left side elevational view thereof;  
FIG. 5 is a right side elevational view thereof;  
FIG. 6 is a top plan view thereof; and,  
FIG. 7 is a bottom plan view thereof.

**1 Claim, 5 Drawing Sheets**



(56)

References Cited

U.S. PATENT DOCUMENTS

D529,911 S	10/2006	Yamashiro et al.	D566,070 S	*	4/2008	Takami et al. ....	D14/126
D532,764 S	11/2006	Kim et al.	D567,198 S		4/2008	Yang et al.	
D533,848 S	12/2006	Lee et al.	D567,199 S		4/2008	Kim et al.	
D534,510 S	1/2007	Kang et al.	D567,203 S		4/2008	Park	
D534,883 S	1/2007	Kang et al.	D569,818 S		5/2008	Kim et al.	
D535,267 S	1/2007	Kang et al.	D570,333 S		6/2008	Cho	
D536,677 S	2/2007	Kim et al.	D570,828 S		6/2008	Cho	
D537,072 S	2/2007	Kim et al.	D570,841 S		6/2008	Kim et al.	
D537,079 S	2/2007	Park	D571,785 S		6/2008	Kim	
D539,242 S	3/2007	Lee et al.	D571,786 S		6/2008	Cho	
D539,281 S	3/2007	Kim et al.	D572,680 S		7/2008	Lee et al.	
D539,767 S	4/2007	Kang et al.	D572,682 S		7/2008	Won et al.	
D540,277 S	4/2007	Kim et al.	D573,118 S		7/2008	Yang et al.	
D540,780 S	4/2007	Kim	D573,559 S		7/2008	Kim et al.	
D541,236 S	4/2007	Kim et al.	D573,584 S		7/2008	Kim	
D541,763 S	5/2007	Kim	D575,247 S		8/2008	Lee	
D541,766 S	5/2007	Kita	D576,622 S		9/2008	Park	
D541,774 S	5/2007	Kita	D579,003 S		10/2008	Kim et al.	
D541,775 S	5/2007	Kita	D579,889 S		11/2008	Noh	
D542,746 S	5/2007	Kim	D579,915 S		11/2008	Yeo	
D542,747 S	5/2007	Kim et al.	D582,365 S		12/2008	Yang et al.	
D542,748 S	5/2007	Kim et al.	D582,366 S		12/2008	Yang et al.	
D542,749 S	5/2007	Kim et al.	D582,867 S		12/2008	Song et al.	
D543,163 S	5/2007	Yang et al.	D583,801 S		12/2008	Son et al.	
D543,164 S	5/2007	Yang et al.	D584,258 S		1/2009	Yang et al.	
D544,849 S	6/2007	Yang et al.	D584,286 S		1/2009	Kim	
D545,300 S	6/2007	Hong et al.	D584,288 S		1/2009	Kim	
D545,312 S	6/2007	Kim	D584,309 S		1/2009	Kim et al.	
D545,313 S	6/2007	Kim	D584,310 S		1/2009	Kim et al.	
D545,314 S	6/2007	Kim	D584,729 S		1/2009	Kim et al.	
D545,315 S	6/2007	Kim	D586,781 S		2/2009	Kim	
D545,316 S	6/2007	Kim	D586,782 S		2/2009	Kim	
D545,776 S	7/2007	Kwon	D586,785 S		2/2009	Kim	
D545,778 S	7/2007	Isshiki	D586,811 S		2/2009	Kim et al.	
D545,820 S	7/2007	Won et al.	D587,237 S		2/2009	Son et al.	
D546,331 S	7/2007	Kim	D587,712 S		3/2009	Park et al.	
D547,276 S	7/2007	Yang et al.	D588,103 S		3/2009	Lee et al.	
D547,313 S	7/2007	Kim	D588,104 S		3/2009	Lee et al.	
D548,205 S	8/2007	Kim et al.	D588,117 S		3/2009	Arai	
D548,206 S	8/2007	Han	D588,576 S		3/2009	Son et al.	
D548,222 S	8/2007	Kim	D591,269 S		4/2009	Kim et al.	
D548,708 S	8/2007	Park et al.	D592,179 S		5/2009	Ichinose et al.	
D550,222 S	* 9/2007	Park ..... D14/375	D592,621 S		5/2009	Han	
D551,186 S	9/2007	Yang et al.	D593,068 S		5/2009	Kim et al.	
D551,194 S	9/2007	Kim et al.	D593,069 S		5/2009	Son et al.	
D551,636 S	9/2007	Kang et al.	D593,974 S		6/2009	Yang et al.	
D551,655 S	9/2007	Kim	D597,041 S		7/2009	Cho et al.	
D551,665 S	9/2007	Tom et al.	D597,043 S	*	7/2009	Honda et al. ....	D14/126
D552,090 S	10/2007	Kita	D597,977 S		8/2009	Won et al.	
D552,509 S	10/2007	Walkup et al.	D597,978 S		8/2009	Won et al.	
D553,108 S	10/2007	Won et al.	D598,899 S		8/2009	Tkachuk	
D554,601 S	11/2007	Won et al.	D601,104 S		9/2009	Kim	
D556,159 S	11/2007	Park et al.	D603,815 S	*	11/2009	Hirasawa et al. ....	D14/126
D556,160 S	11/2007	Lee et al.	D603,816 S		11/2009	Kim et al.	
D556,709 S	* 12/2007	Kim et al. .... D14/126	D603,817 S		11/2009	Kim et al.	
D556,755 S	12/2007	Lee et al.	D605,148 S		12/2009	Boo et al.	
D556,756 S	12/2007	Kataoka et al.	D605,149 S		12/2009	Kim et al.	
D556,757 S	12/2007	Kim et al.	D605,160 S		12/2009	Eaton	
D558,200 S	* 12/2007	Tsai et al. .... D14/375	D607,426 S		1/2010	Yang	
D558,201 S	12/2007	Park et al.	D608,311 S		1/2010	Lee et al.	
D558,696 S	1/2008	Park et al.	D608,314 S		1/2010	Boo et al.	
D560,209 S	1/2008	Kim et al.	D609,658 S		2/2010	Kim et al.	
D560,211 S	1/2008	Kim et al.	D610,143 S		2/2010	Park et al.	
D560,686 S	1/2008	Kim	D614,596 S		4/2010	Won et al.	
D561,130 S	2/2008	Won et al.	D615,509 S		5/2010	Song et al.	
D561,134 S	2/2008	Kim et al.	D615,510 S		5/2010	Won et al.	
D561,135 S	2/2008	Won et al.	D615,511 S		5/2010	Shin et al.	
D561,136 S	2/2008	Won et al.	D615,938 S		5/2010	Song et al.	
D561,141 S	2/2008	Cho et al.	D615,963 S		5/2010	Cho et al.	
D561,142 S	2/2008	Oh	D616,842 S		6/2010	Kim	
D561,161 S	2/2008	Cho	D616,884 S		6/2010	Kim et al.	
D562,788 S	2/2008	Asanuma et al.	D619,979 S		7/2010	Lee et al.	
7,336,478 B2	2/2008	Jang	D620,461 S		7/2010	Han et al.	
D564,472 S	3/2008	Won et al.	D620,901 S		8/2010	Won et al.	
D565,521 S	4/2008	Yang et al.	D620,902 S		8/2010	Kim et al.	
			D620,903 S		8/2010	Song et al.	
			D622,235 S		8/2010	Lee et al.	
			D622,238 S	*	8/2010	Chow ..... D14/126	
			D624,047 S		9/2010	Kim	



(56)

References Cited

U.S. PATENT DOCUMENTS

D624,048 S 9/2010 Kim  
 D624,891 S \* 10/2010 Ohba et al. .... D14/126  
 D624,892 S \* 10/2010 Inoue et al. .... D14/126  
 D624,895 S \* 10/2010 Kasuga et al. .... D14/126  
 D625,278 S 10/2010 Kim et al.  
 D625,696 S \* 10/2010 Takami ..... D14/126  
 D626,101 S 10/2010 Kim et al.  
 D626,524 S \* 11/2010 Takami ..... D14/126  
 D627,319 S \* 11/2010 Takami et al. .... D14/126  
 D628,556 S 12/2010 Lee et al.  
 D629,388 S 12/2010 Son et al.  
 D630,209 S 1/2011 Lee et al.  
 D631,868 S 2/2011 Chung  
 D632,291 S 2/2011 Park  
 D634,302 S 3/2011 Chung et al.  
 D634,323 S 3/2011 Park et al.  
 D634,745 S 3/2011 Park et al.  
 D635,569 S 4/2011 Park  
 D635,942 S \* 4/2011 Kim et al. .... D14/126  
 D635,975 S 4/2011 Seo et al.  
 D635,976 S 4/2011 Lee et al.  
 D654,446 S \* 2/2012 Choi et al. .... D14/126  
 D657,789 S 4/2012 Lee et al.  
 D657,790 S 4/2012 Lee et al.  
 D657,791 S 4/2012 Kim et al.  
 D657,792 S 4/2012 Lee et al.  
 D658,176 S 4/2012 Lee et al.  
 D661,303 S 6/2012 Fukusawa  
 D664,541 S 7/2012 Kim et al.  
 D664,542 S 7/2012 Lee et al.  
 D664,956 S 8/2012 Lee et al.  
 D667,826 S 9/2012 Lee et al.  
 D677,638 S \* 3/2013 Kim et al. .... D14/126

FOREIGN PATENT DOCUMENTS

KR 3001954000000 3/1997  
 KR 3003049270000 8/2002  
 KR 3003832320000 6/2005  
 KR 3003879930000 8/2005  
 KR 3004144010000 5/2006  
 KR 3004230930000 8/2006  
 KR 3005011860000 8/2006  
 KR 3004261490000 9/2006  
 KR 3004261500000 9/2006  
 KR 3004230920001 10/2006  
 KR 3004293530000 11/2006  
 KR 3004293530001 11/2006  
 KR 3004339210000 12/2006  
 KR 3004388560001 2/2007

KR 3004388560002 3/2007  
 KR 3004745330000 1/2008  
 KR 3004772070000 1/2008  
 KR 3004808250000 3/2008  
 KR 3004809710000 3/2008  
 KR 3004745330001 4/2008  
 KR 3004873790000 4/2008  
 KR 3004873800000 4/2008  
 KR 3004873810000 4/2008  
 KR 3005845050000 1/2011  
 KR 3006046450000 7/2011  
 KR 3006046460000 7/2011  
 KR 3006076840000 8/2011  
 KR 3006077890000 8/2011  
 KR 3006077900000 8/2011  
 KR 3006080880000 8/2011  
 KR 3006084850000 8/2011

OTHER PUBLICATIONS

U.S. Appl. No. 29/423,296, Applicant: Lee, et al., filed May 30, 2012, entitled Monitor.  
 U.S. Appl. No. 29/425,733, Applicant: Gyoo-Sang Choi, filed Jun. 26, 2012, entitled Monitor.  
 U.S. Appl. No. 29/425,734, Applicant: Kim, et al., filed Jun. 26, 2012, entitled Monitor.  
 U.S. Appl. No. 29/427,157, Applicant: Lee, et al., filed Jul. 15, 2012, entitled Monitor.  
 U.S. Appl. No. 29/426,896, Applicant: Kim, et al., filed Jul. 11, 2012, entitled Monitor.  
 U.S. Appl. No. 29/434,700, Applicant: Kim et al., filed Oct. 16, 2012, entitled Monitor.  
 U.S. Appl. No. 29/419,916, Applicant: Lee, et al., filed May 2, 2012, entitled Monitor.  
 U.S. Appl. No. 29/422,777, Applicant: Lee, et al., filed May 23, 2012, entitled Monitor.  
 U.S. Appl. No. 29/428,391, Applicant: Kim et al., filed Jul. 30, 2012, entitled Monitor.  
 U.S. Appl. No. 29/428,394, Applicant: Seo et al., filed Jul. 30, 2012, entitled Monitor.  
 U.S. Appl. No. 29/428,580, Applicant: Won et al., filed Aug. 1, 2012, entitled Monitor.  
 U.S. Appl. No. 29/431,761, Applicant: Seo et al., filed Sep. 11, 2012, entitled Monitor.  
 U.S. Appl. No. 29/426,696, Applicant: Seong, et al., filed Jul. 9, 2012, entitled Monitor.  
 U.S. Appl. No. 29/427,737, Applicant: Bo-Kyung Seong, filed Jul. 21, 2012, entitled Monitor.  
 U.S. Appl. No. 29/436,728, Applicant: Kim et al., filed Nov. 8, 2012, entitled Monitor.

\* cited by examiner

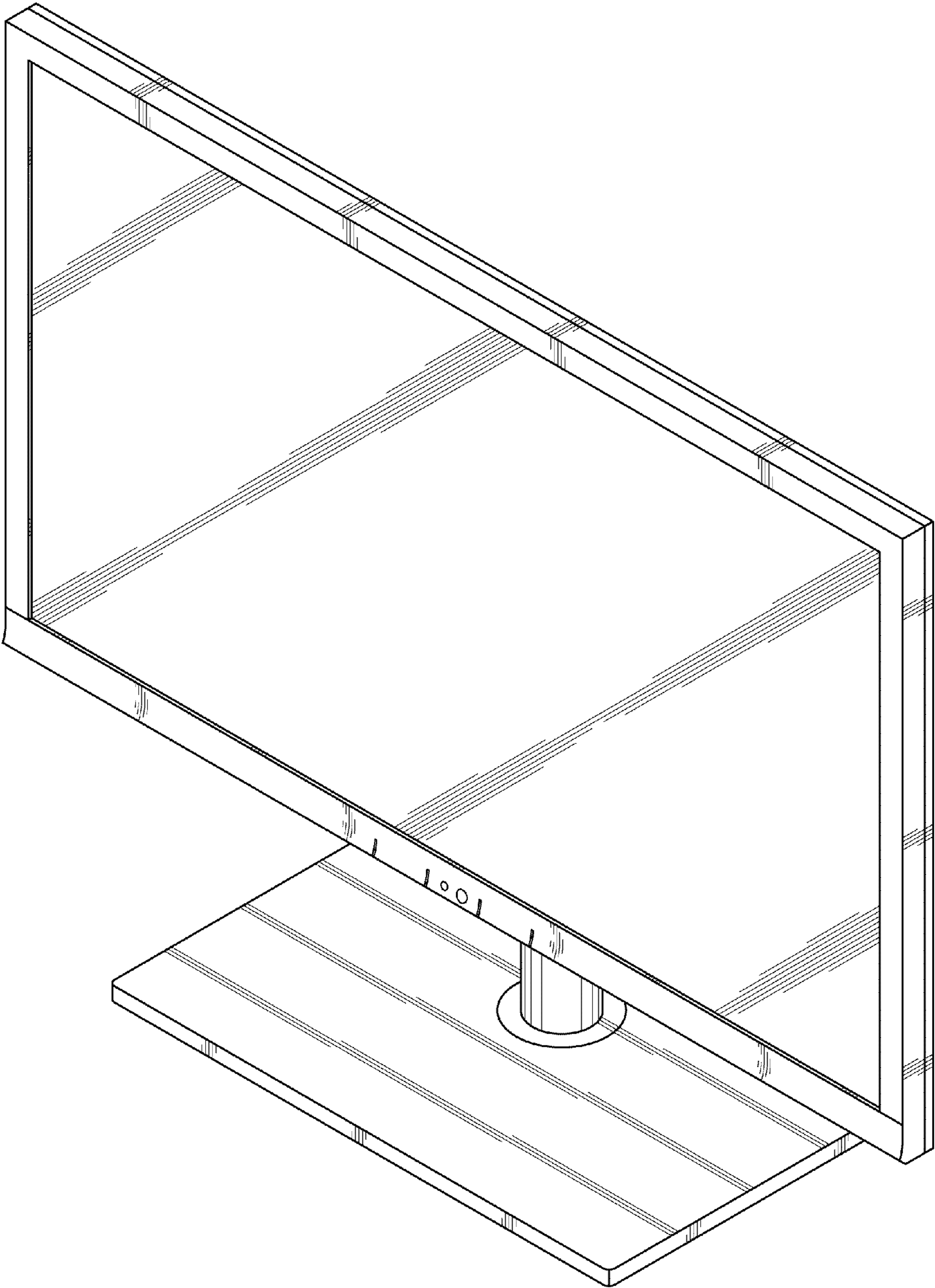
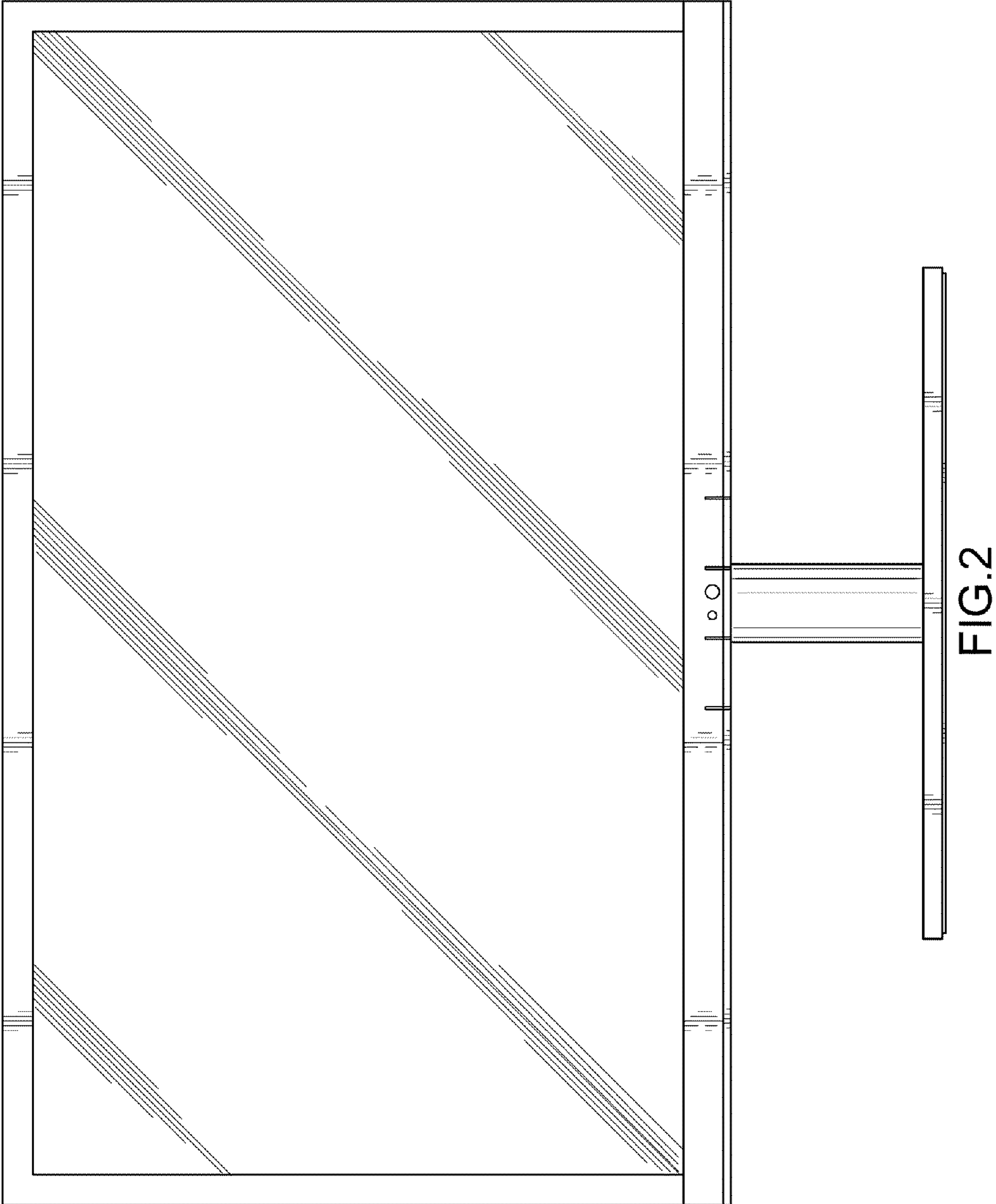


FIG. 1



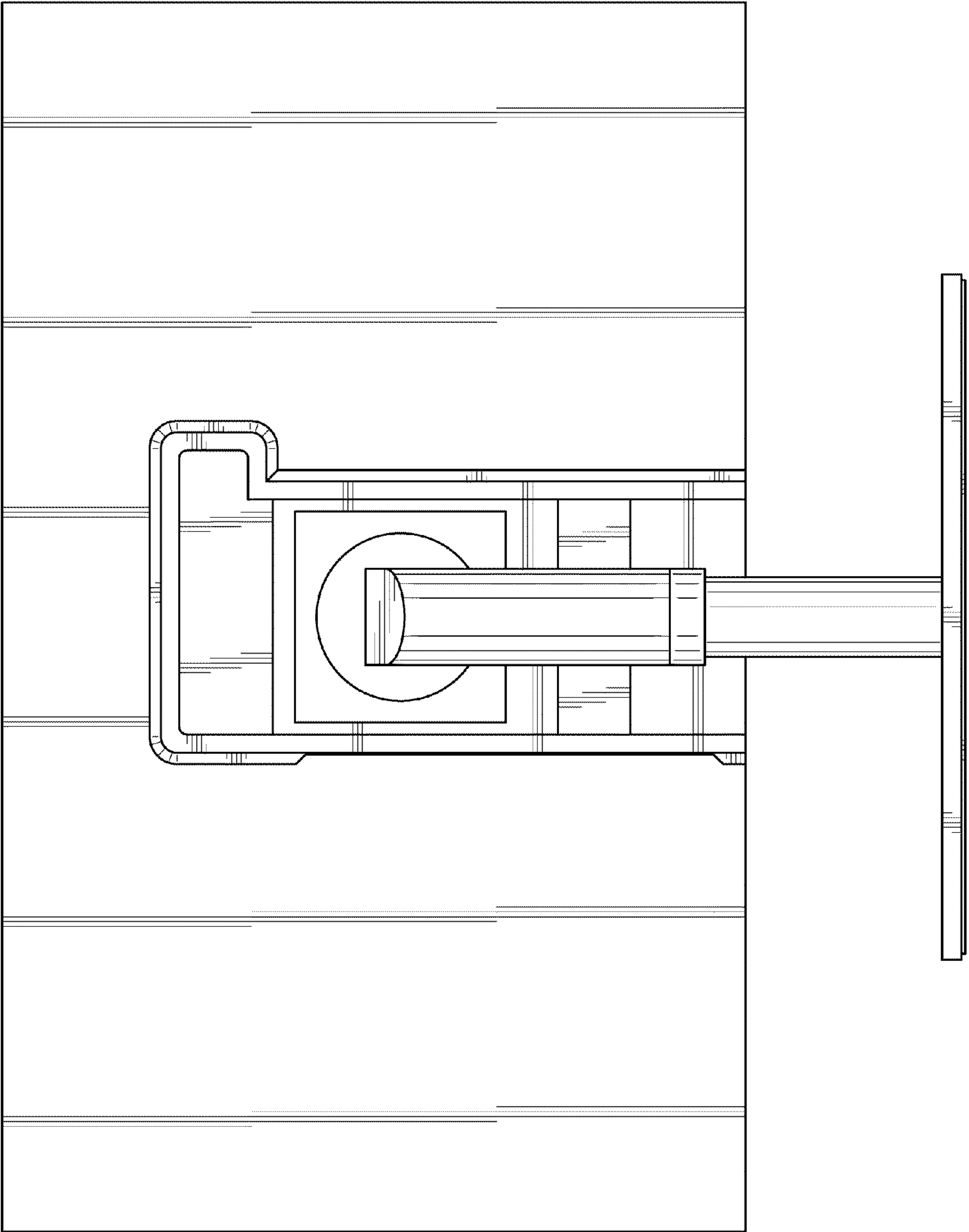
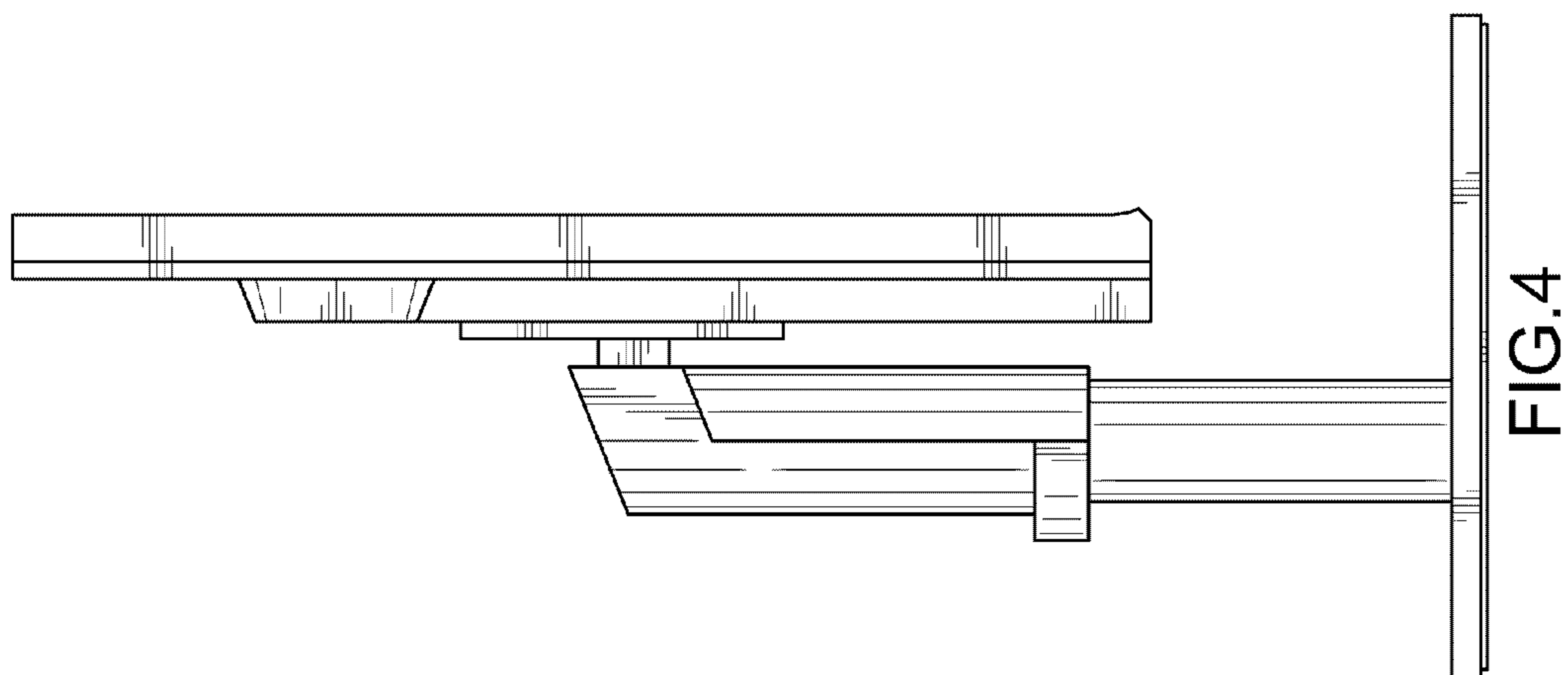
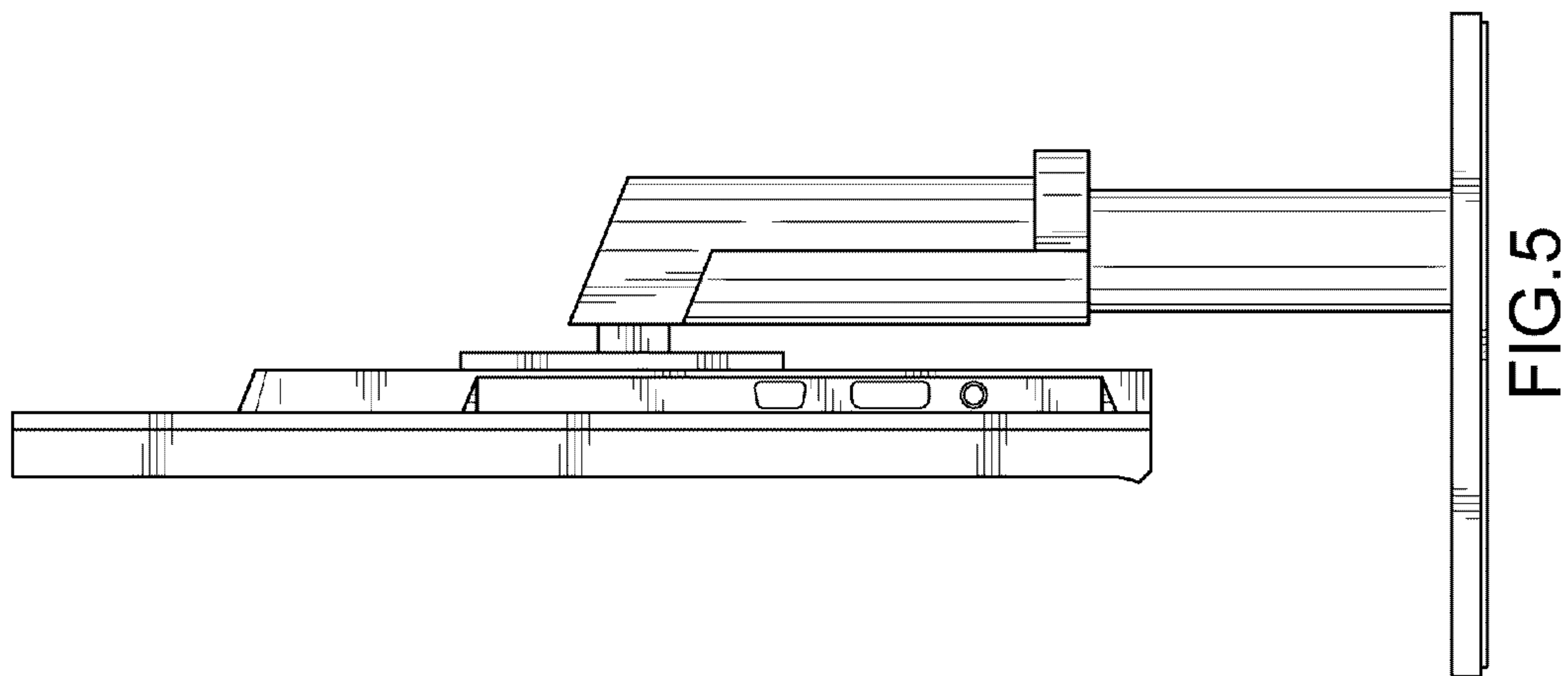


FIG. 3





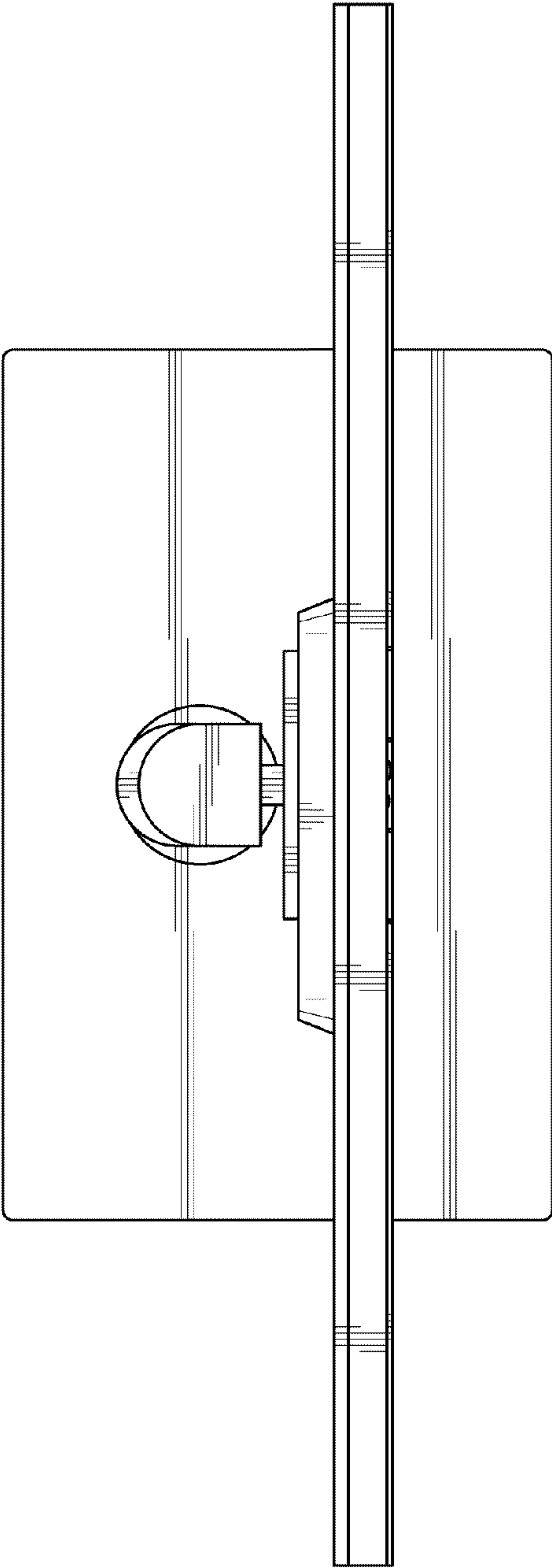


FIG. 6

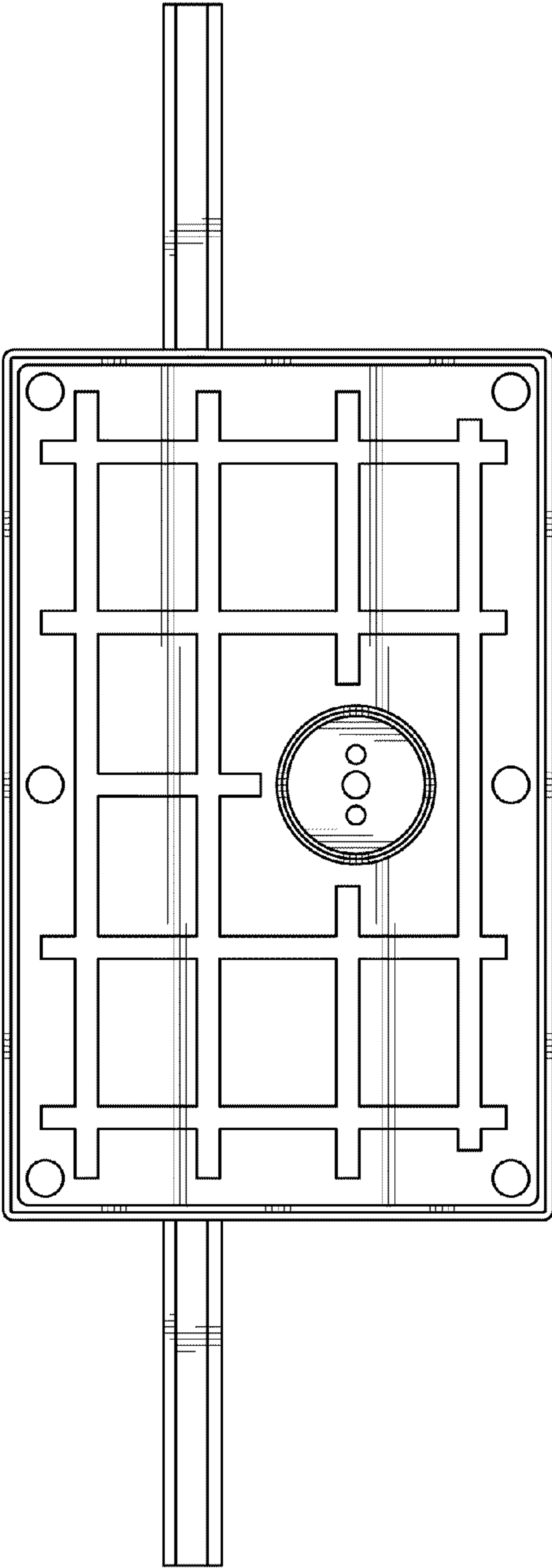


FIG. 7