



US00D694204S

(12) **United States Design Patent**
Meyer

(10) **Patent No.:** **US D694,204 S**

(45) **Date of Patent:** **** Nov. 26, 2013**

(54) **LED HOLDER**

(71) Applicant: **Molex Incorporated**, Lisle, IL (US)

(72) Inventor: **Gregory P. Meyer**, Elk Grove Village, IL (US)

(73) Assignee: **Molex Incorporated**, Lisle, IL (US)

(**) Term: **14 Years**

(21) Appl. No.: **29/438,768**

(22) Filed: **Dec. 3, 2012**

(51) **LOC (9) Cl.** **13-03**

(52) **U.S. Cl.**
USPC **D13/180**

(58) **Field of Classification Search**
USPC D13/180; D26/1; 257/79, 80, 81, 88,
257/89, 95, 98, 99, 100, E33.058; 313/483,
313/498, 500; 362/294, 455, 549, 555, 800
See application file for complete search history.

(56) **References Cited**

U.S. PATENT DOCUMENTS

6,639,741	B2 *	10/2003	Wagner	359/819
6,700,138	B2 *	3/2004	Crane et al.	257/99
D505,663	S *	5/2005	Moriyama et al.	D13/180
D508,234	S *	8/2005	Moriyama et al.	D13/180
D534,503	S *	1/2007	Jung et al.	D13/180
D536,309	S *	2/2007	Muguruma et al.	D13/180
D592,160	S *	5/2009	Kang et al.	D13/180
D598,873	S *	8/2009	Tseng	D13/180
D603,813	S *	11/2009	Nishimura et al.	D13/180
7,806,554	B2 *	10/2010	Chang et al.	362/158
7,960,744	B2 *	6/2011	Seo et al.	257/89

7,988,336	B1 *	8/2011	Harbers et al.	362/294
8,220,971	B2 *	7/2012	Harbers et al.	362/294
D665,929	S *	8/2012	Kim et al.	D26/1
D679,667	S *	4/2013	Shibahara et al.	D13/180
8,414,150	B1 *	4/2013	Simon	362/249.02
8,456,768	B2 *	6/2013	Shih et al.	359/819
2004/0264195	A1 *	12/2004	Chang et al.	362/294
2007/0090375	A1 *	4/2007	Kobilke	257/89
2007/0165408	A1 *	7/2007	Li	362/294
2008/0130275	A1 *	6/2008	Higley et al.	362/184
2008/0217643	A1 *	9/2008	Lin et al.	257/99
2011/0012161	A1 *	1/2011	Hung	257/99
2012/0294011	A1 *	11/2012	Cattoni et al.	362/311.02

* cited by examiner

Primary Examiner — Selina Sikder

(74) *Attorney, Agent, or Firm* — Banner & Witcoff, Ltd.

(57) **CLAIM**

The ornamental design for an LED holder, as shown and described.

DESCRIPTION

FIG. 1 is a front isometric view of a LED holder showing my new design;

FIG. 2 is a front view thereof;

FIG. 3 is a rear view thereof;

FIG. 4 is a right side view thereof;

FIG. 5 is a left side view thereof;

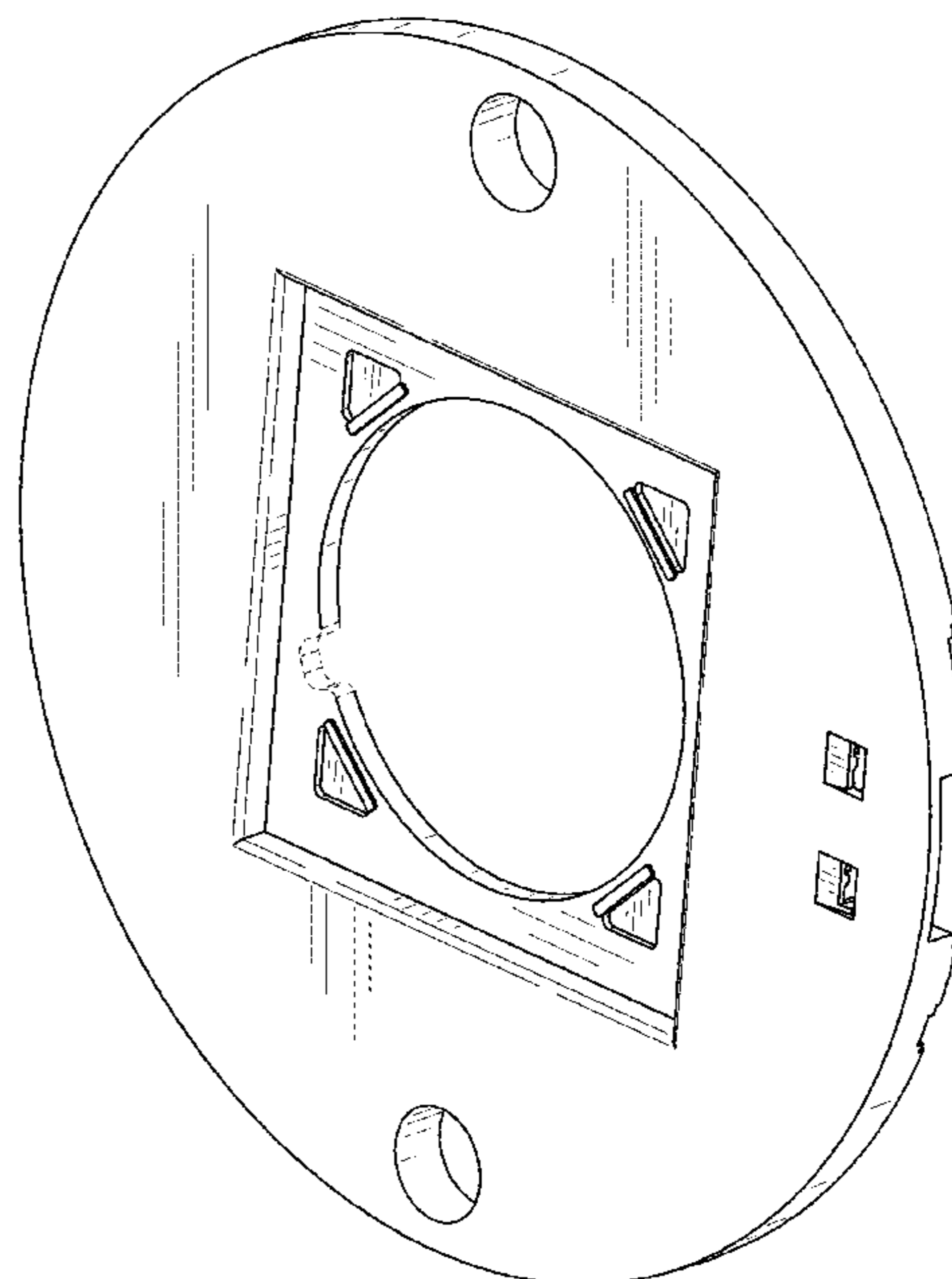
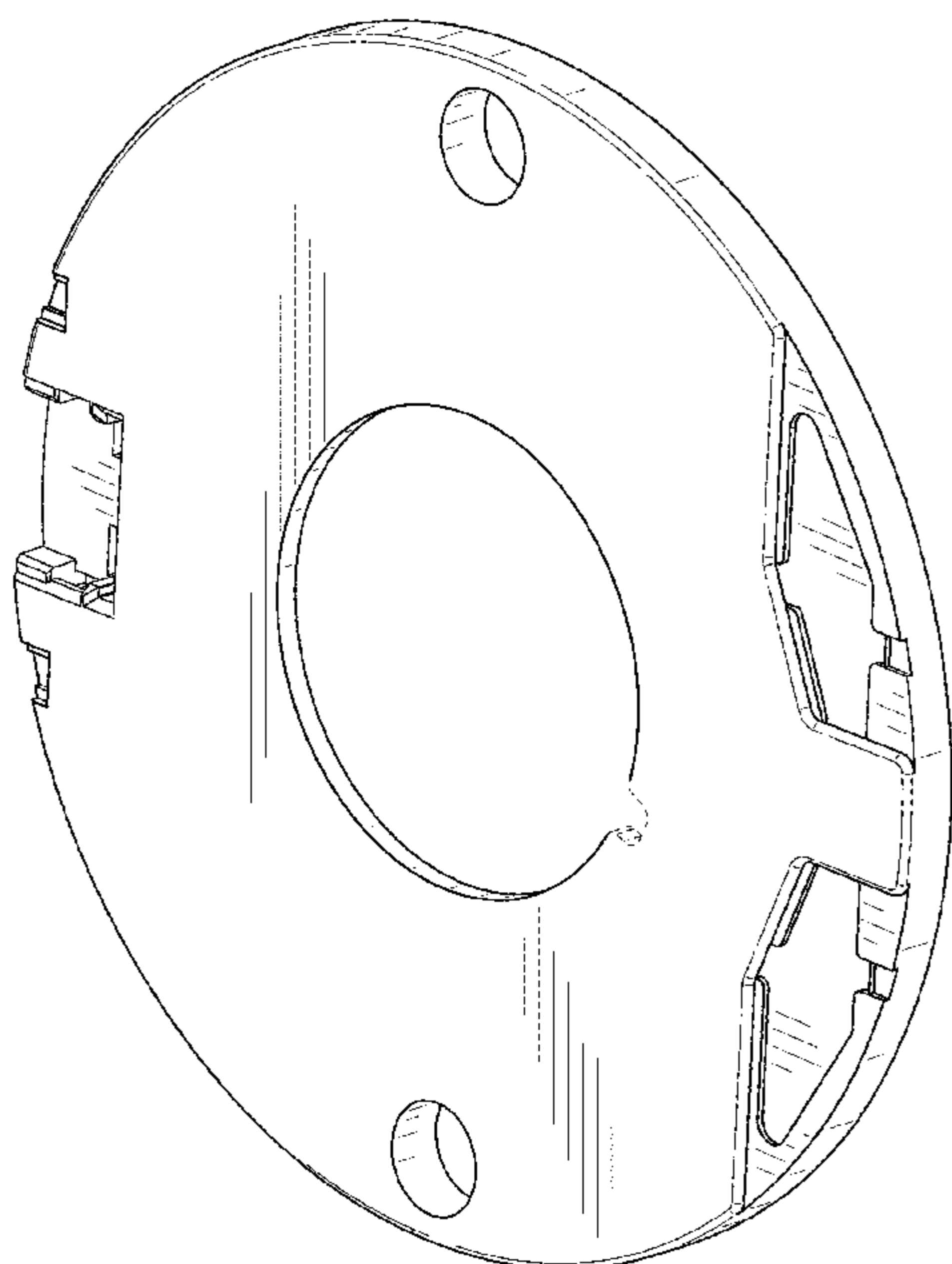
FIG. 6 is a top view thereof;

FIG. 7 is a bottom view thereof; and,

FIG. 8 is a rear isometric view thereof.

The broken line showing of a notch in FIGS. 1-8 are for environmental purposes only and form no part of the claimed design.

1 Claim, 5 Drawing Sheets



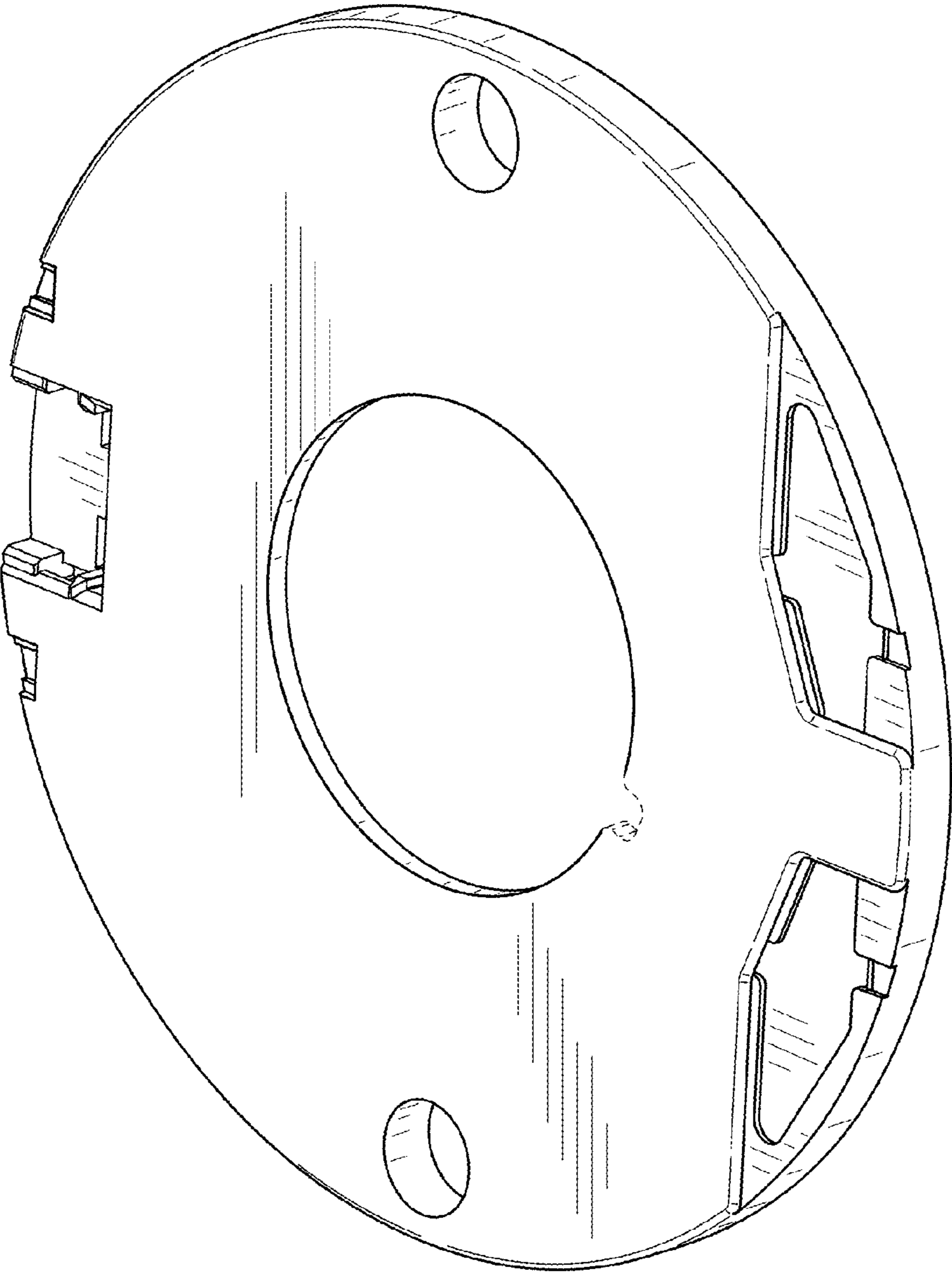


FIG. 1

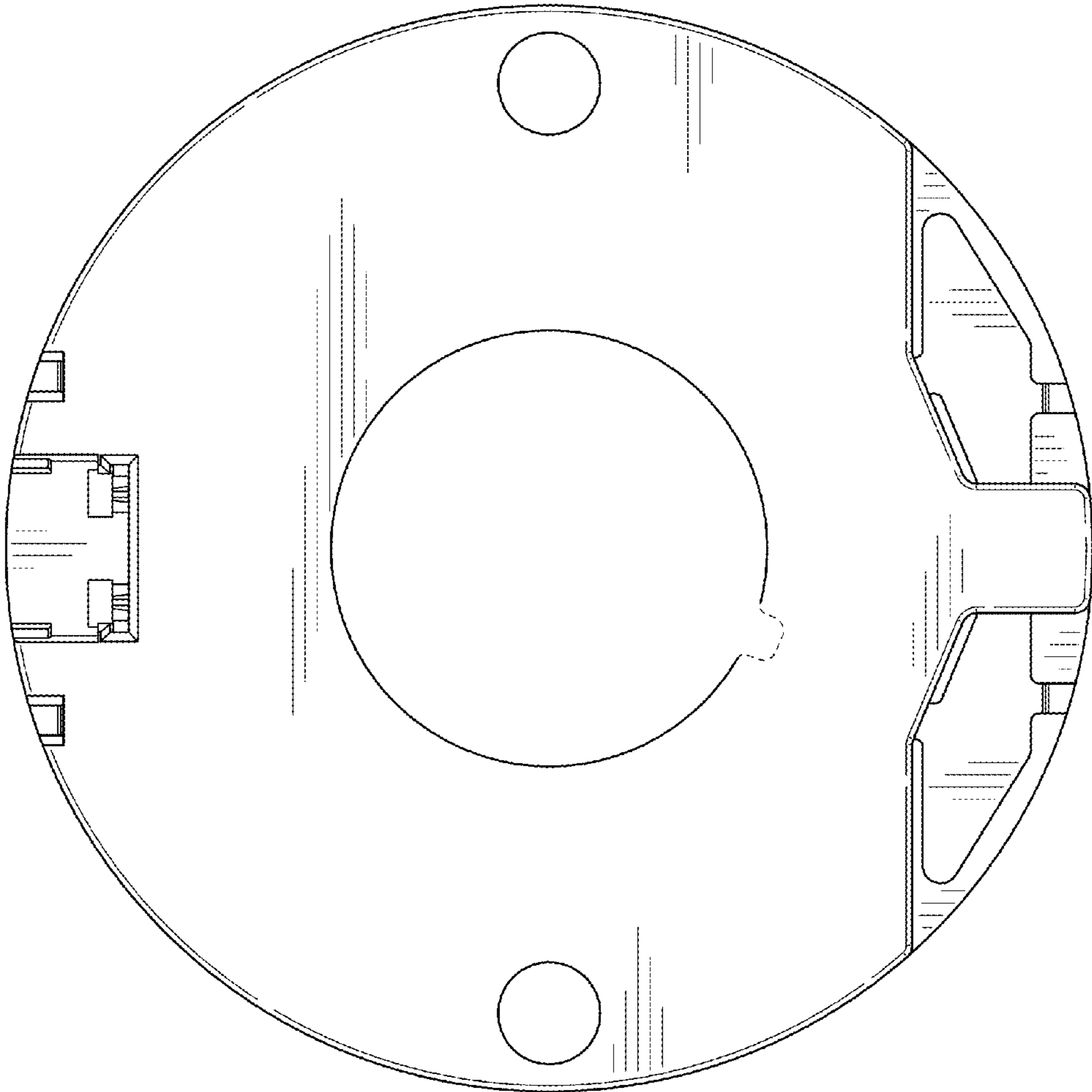


FIG. 2

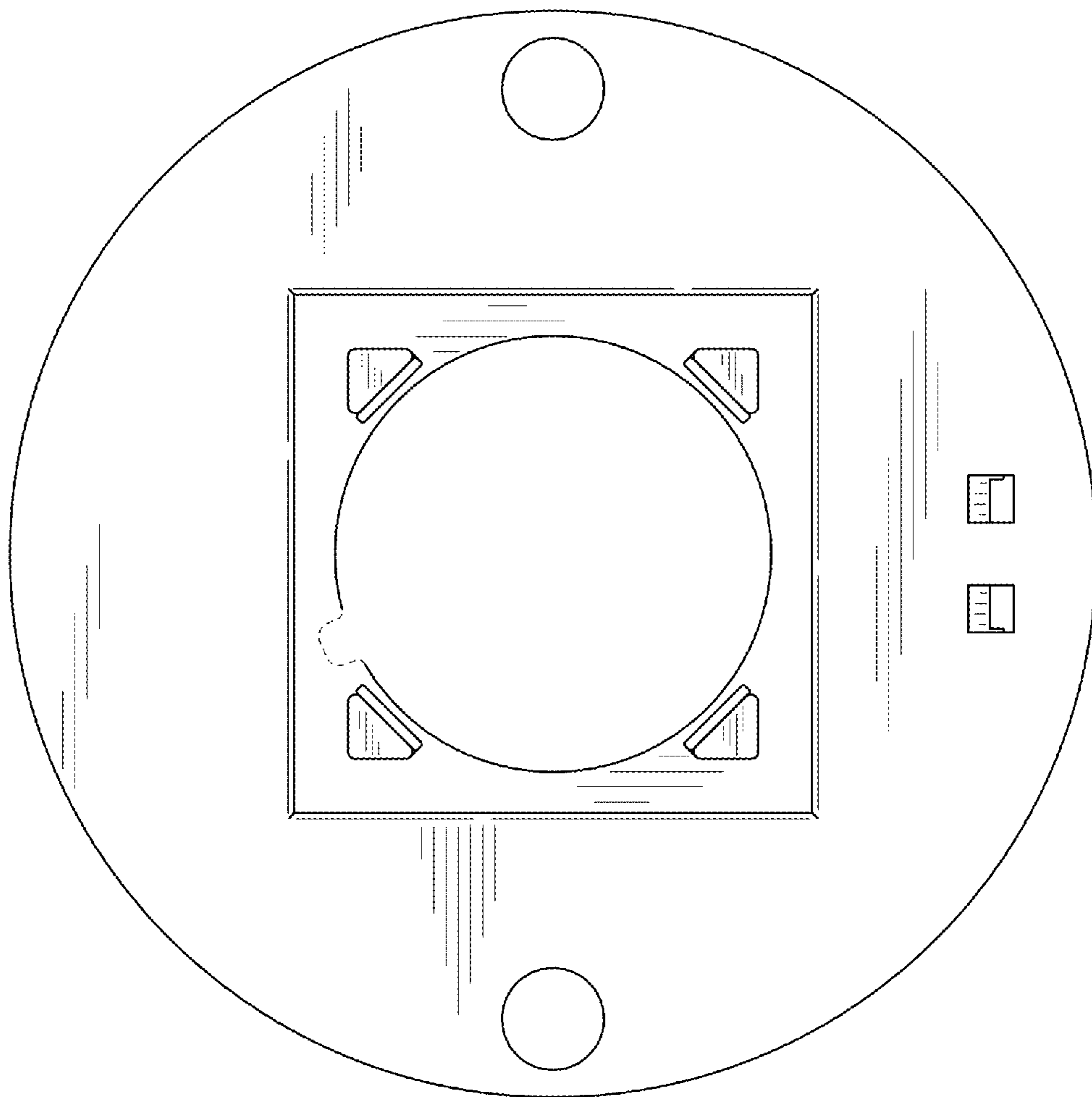


FIG. 3

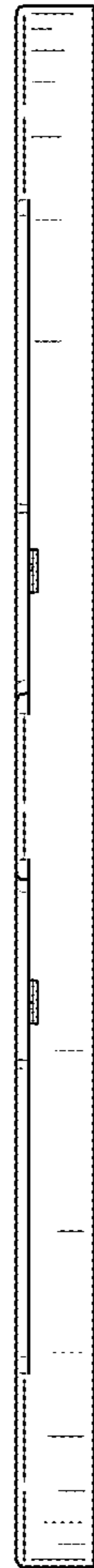


FIG. 4



FIG. 5

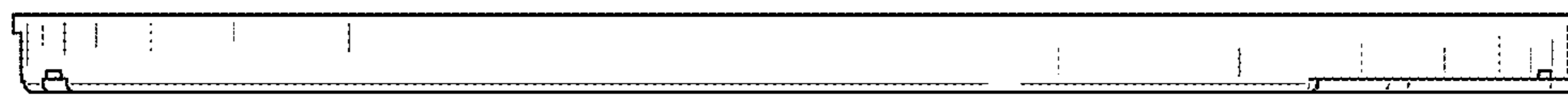


FIG. 6

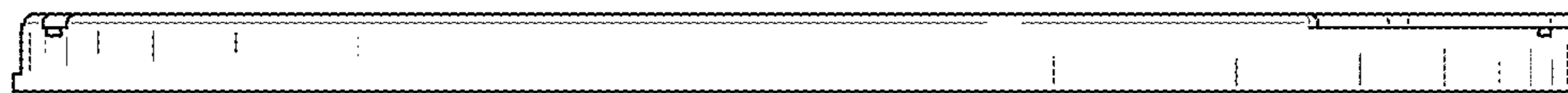


FIG. 7

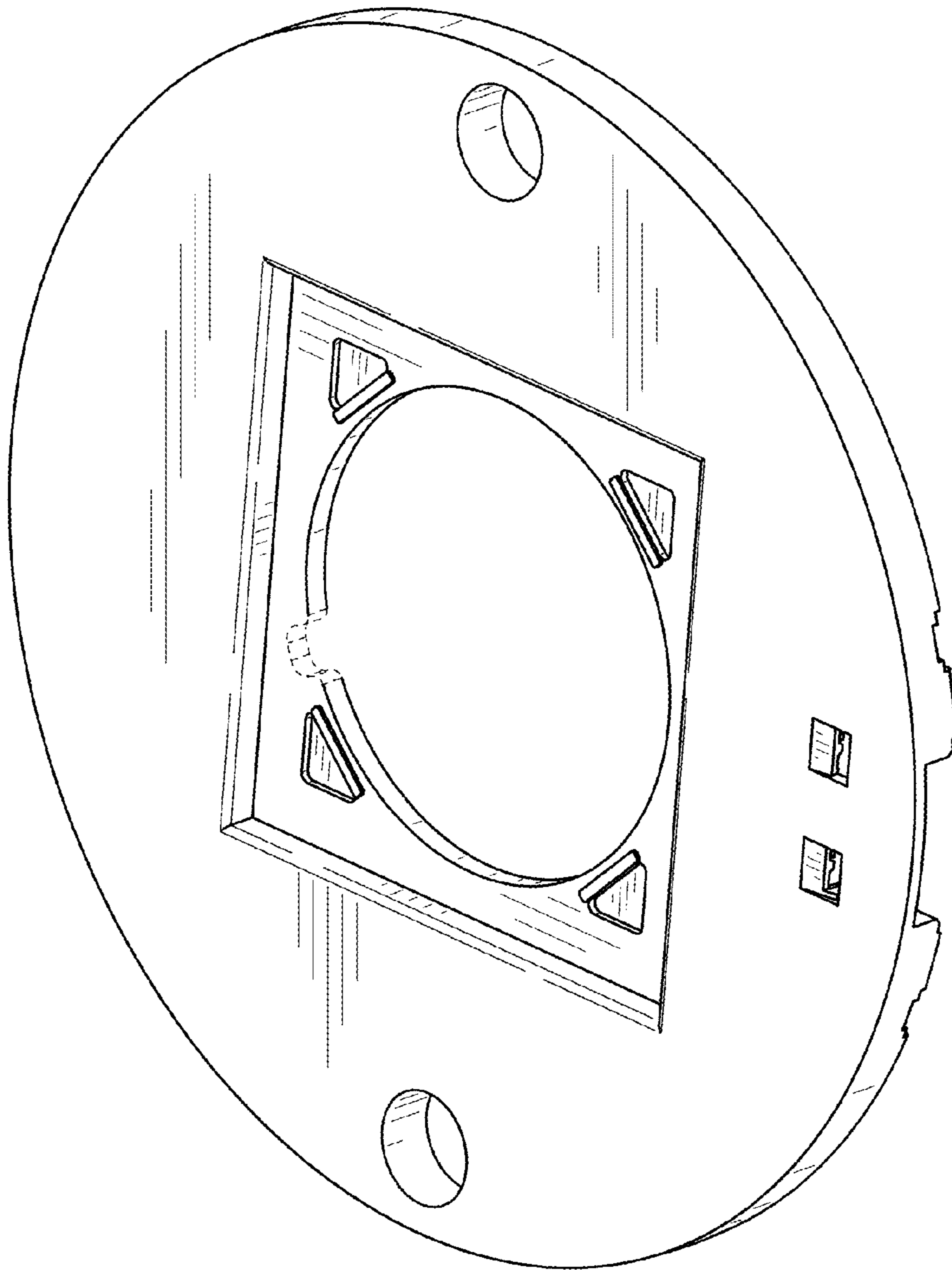


FIG. 8