

US00D694203S

(12) **United States Design Patent**
Saito

(10) **Patent No.:** **US D694,203 S**

(45) **Date of Patent:** **** Nov. 26, 2013**

(54) **LIGHT-EMITTING DIODE**

(56) **References Cited**

(71) Applicants: **Citizen Electronics Co., Ltd.**,
Fujiyoshida (JP); **Citizen Holdings Co., Ltd.**,
Nishi-Tokyo (JP)

(72) Inventor: **Hitoshi Saito**, Yamanashi-ken (JP)

(73) Assignees: **Citizen Electronics Co., Ltd.**,
Yamanashi-Ken (JP); **Citizen Holdings Co., Ltd.**,
Tokyo (JP)

(**) Term: **14 Years**

(21) Appl. No.: **29/436,022**

(22) Filed: **Oct. 31, 2012**

(30) **Foreign Application Priority Data**

Apr. 27, 2012 (JP) 2012-010188

(51) **LOC (9) Cl.** **13-03**

(52) **U.S. Cl.**
USPC **D13/180**

(58) **Field of Classification Search**
USPC D13/180; D26/1, 2, 24; 257/79, 80, 81,
257/88, 89, 95, 98, 99, 100, E33.058;
313/483, 498, 500; 362/555, 800

See application file for complete search history.

U.S. PATENT DOCUMENTS

D565,515	S	*	4/2008	Chen	D13/180
D575,243	S	*	8/2008	Imai et al.	D13/180
D575,246	S	*	8/2008	Fuwa et al.	D13/180
D582,575	S	*	12/2008	Liao et al.	D26/2
D586,766	S	*	2/2009	Imai et al.	D13/180
D587,218	S	*	2/2009	Imai et al.	D13/180
D587,219	S	*	2/2009	Imai et al.	D13/180
D607,423	S	*	1/2010	Lu et al.	D13/180
D636,355	S	*	4/2011	Tsai et al.	D13/180
D636,356	S	*	4/2011	Yamada	D13/180
8,421,111	B2	*	4/2013	Matsuda et al.	257/98
2010/0039806	A1	*	2/2010	Roberts et al.	362/231

* cited by examiner

Primary Examiner — Selina Sikder

(74) *Attorney, Agent, or Firm* — Browdy and Neimark, PLLC

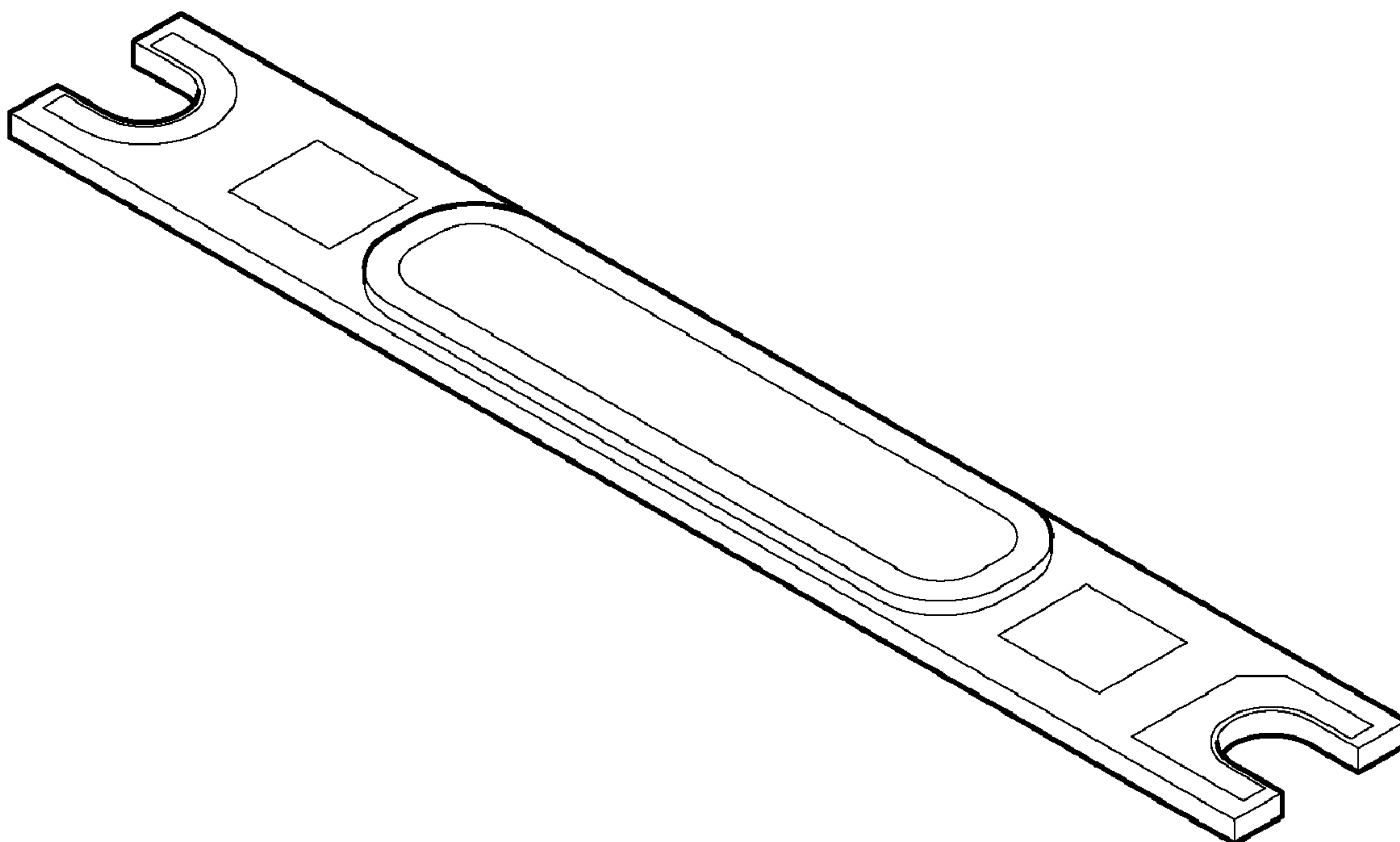
(57) **CLAIM**

The ornamental design for a light-emitting diode, as shown and described here.

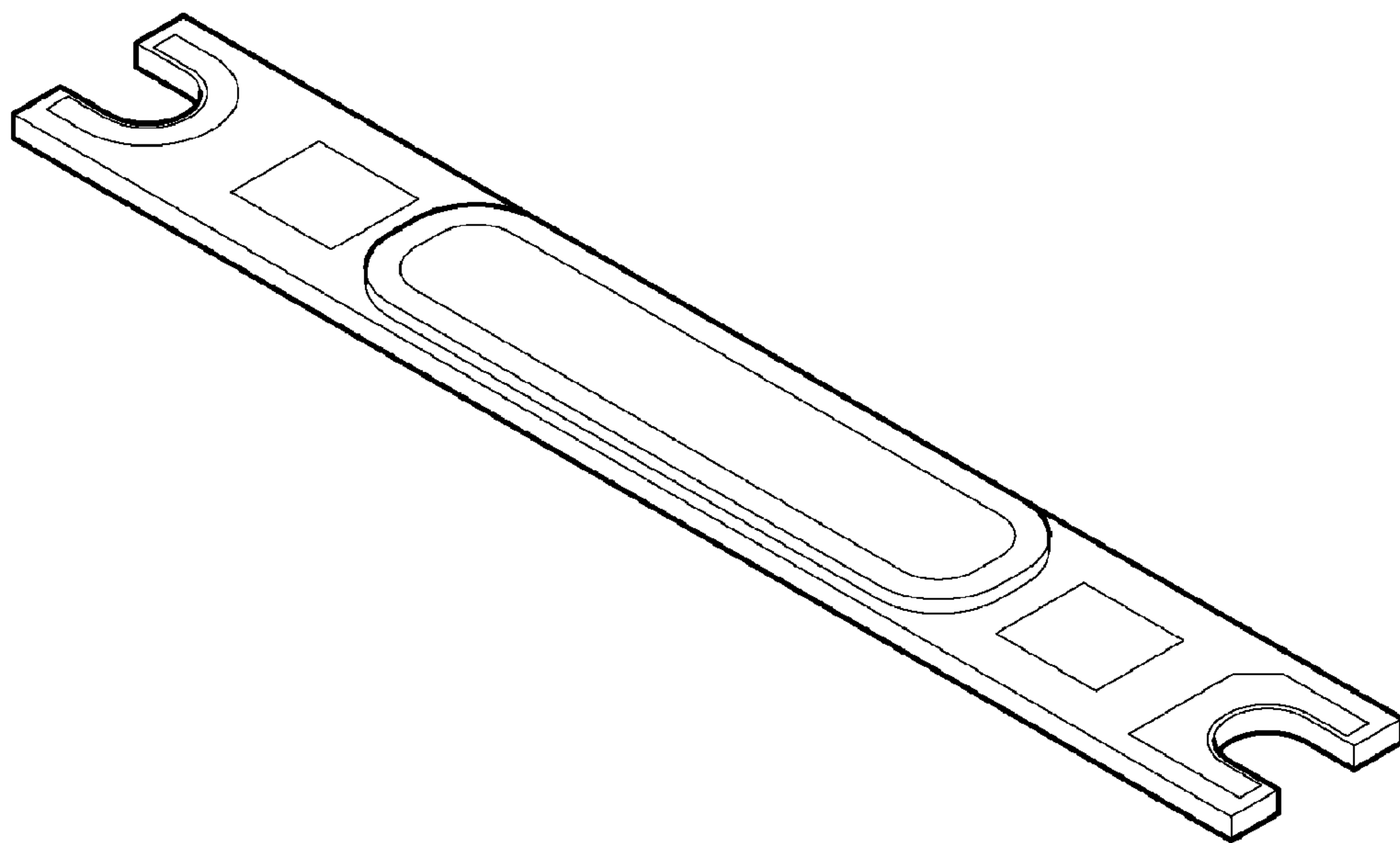
DESCRIPTION

FIG. 1 is a top perspective view of a light-emitting diode showing my new design;
FIG. 2 is a bottom perspective view thereof;
FIG. 3 is a front view thereof;
FIG. 4 is a rear view thereof;
FIG. 5 is a top plan view thereof;
FIG. 6 is a bottom plan view thereof;
FIG. 7 is a left side view thereof; and,
FIG. 8 is a right side view thereof.

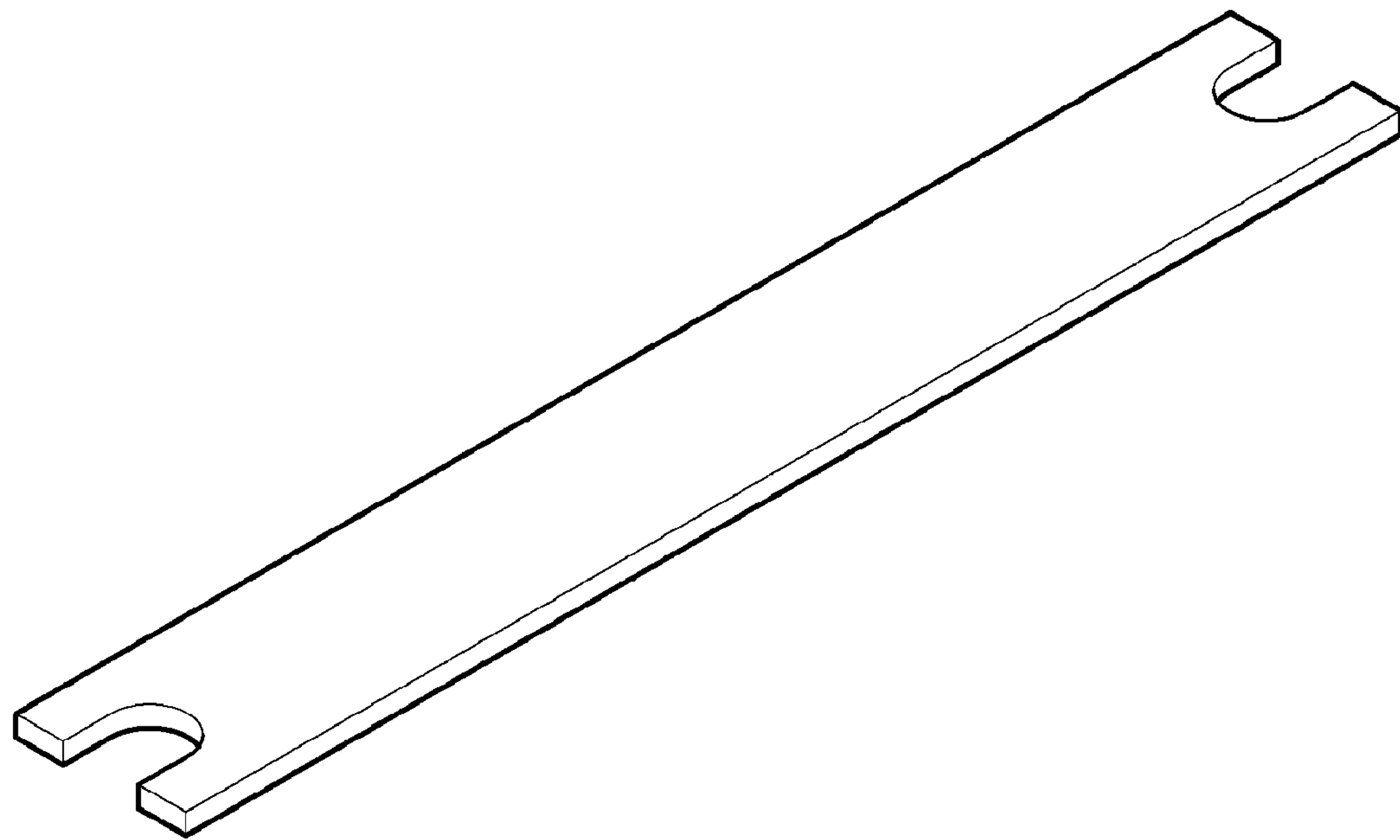
1 Claim, 5 Drawing Sheets



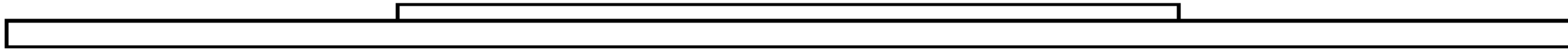
F i g . 1



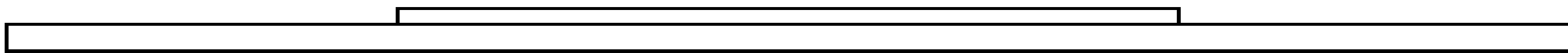
F i g . 2



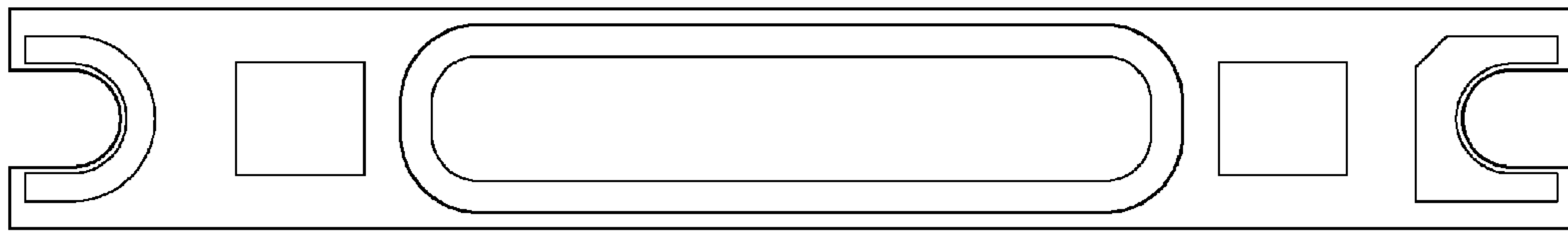
F i g . 3



F i g . 4



F i g . 5



F i g . 6



Fig. 7

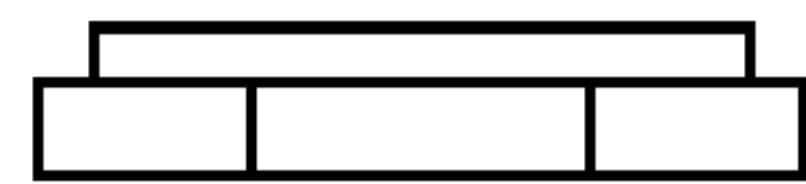


Fig. 8

