



US00D694201S

(12) **United States Design Patent**
Iino

(10) **Patent No.:** **US D694,201 S**

(45) **Date of Patent:** **** Nov. 26, 2013**

(54) **LIGHT-EMITTING DIODE**

(71) Applicant: **Citizen Electronics Co., Ltd.**,
Fujiyoshida (JP)

(72) Inventor: **Takashi Iino**, Kofu (JP)

(73) Assignees: **Citizen Electronics Co., Ltd.**,
Yamanashi-Ken (JP); **Citizen Holdings**
Co., Ltd., Tokyo (JP)

(**) Term: **14 Years**

(21) Appl. No.: **29/433,495**

(22) Filed: **Oct. 1, 2012**

(30) **Foreign Application Priority Data**

Mar. 30, 2012 (JP) 2012-007632

(51) **LOC (9) Cl.** **13-03**

(52) **U.S. Cl.**
USPC **D13/180**

(58) **Field of Classification Search**
USPC D13/180; D26/1; 257/79, 80, 81, 88,
257/89, 95, 98, 99, 100, E33.058; 313/483,
313/498, 500; 362/555, 800
See application file for complete search history.

(56) **References Cited**

U.S. PATENT DOCUMENTS

5,625,202 A * 4/1997 Chai 257/94
6,657,238 B2 * 12/2003 Ueda 257/99
7,319,044 B2 * 1/2008 Han et al. 438/22
D601,977 S * 10/2009 Tsuchiya D13/180

D602,884 S * 10/2009 Wada et al. D13/180
7,696,522 B2 * 4/2010 Ono et al. 257/88
7,781,888 B2 * 8/2010 Kobayakawa et al. 257/730
D626,922 S * 11/2010 Wada D13/180
D634,282 S * 3/2011 Wilson D13/180
D647,865 S * 11/2011 Miyashita D13/180
D653,629 S * 2/2012 Miyashita D13/180
D669,042 S * 10/2012 Kanemaru et al. D13/180
D671,509 S * 11/2012 Moriguchi et al. D13/180
D676,002 S * 2/2013 Watanabe D13/180
2007/0075323 A1 * 4/2007 Kanazawa et al. 257/98
2010/0320482 A1 * 12/2010 Tachibana 257/88
2011/0186870 A1 * 8/2011 Ying et al. 257/88

* cited by examiner

Primary Examiner — Selina Sikder

(74) *Attorney, Agent, or Firm* — Browdy and Neimark,
PLLC

(57) **CLAIM**

The ornamental design for a light-emitting diode, as shown
and described here.

DESCRIPTION

FIG. 1 is a perspective view of a light-emitting diode showing
my new design, with an upper surface, a front side surface and
a right side surface;
FIG. 2 is a perspective view showing a bottom surface thereof
with a left side surface and a rear side surface;
FIG. 3 is a front elevation view thereof;
FIG. 4 is a rear elevation view thereof;
FIG. 5 is a top plan view thereof;
FIG. 6 is a bottom plan view thereof;
FIG. 7 is a left side elevation view thereof; and,
FIG. 8 is a right side elevation view thereof.

1 Claim, 6 Drawing Sheets

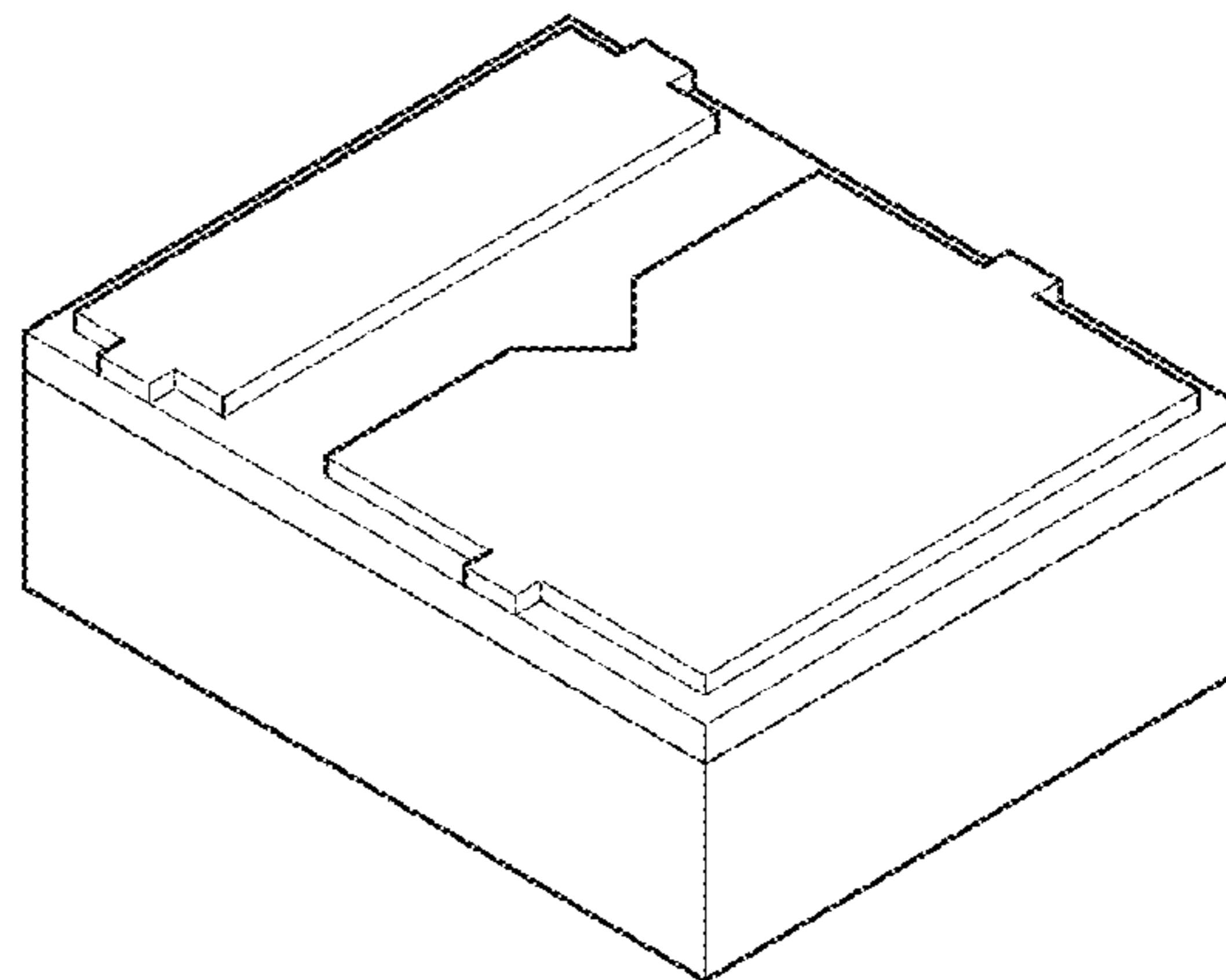
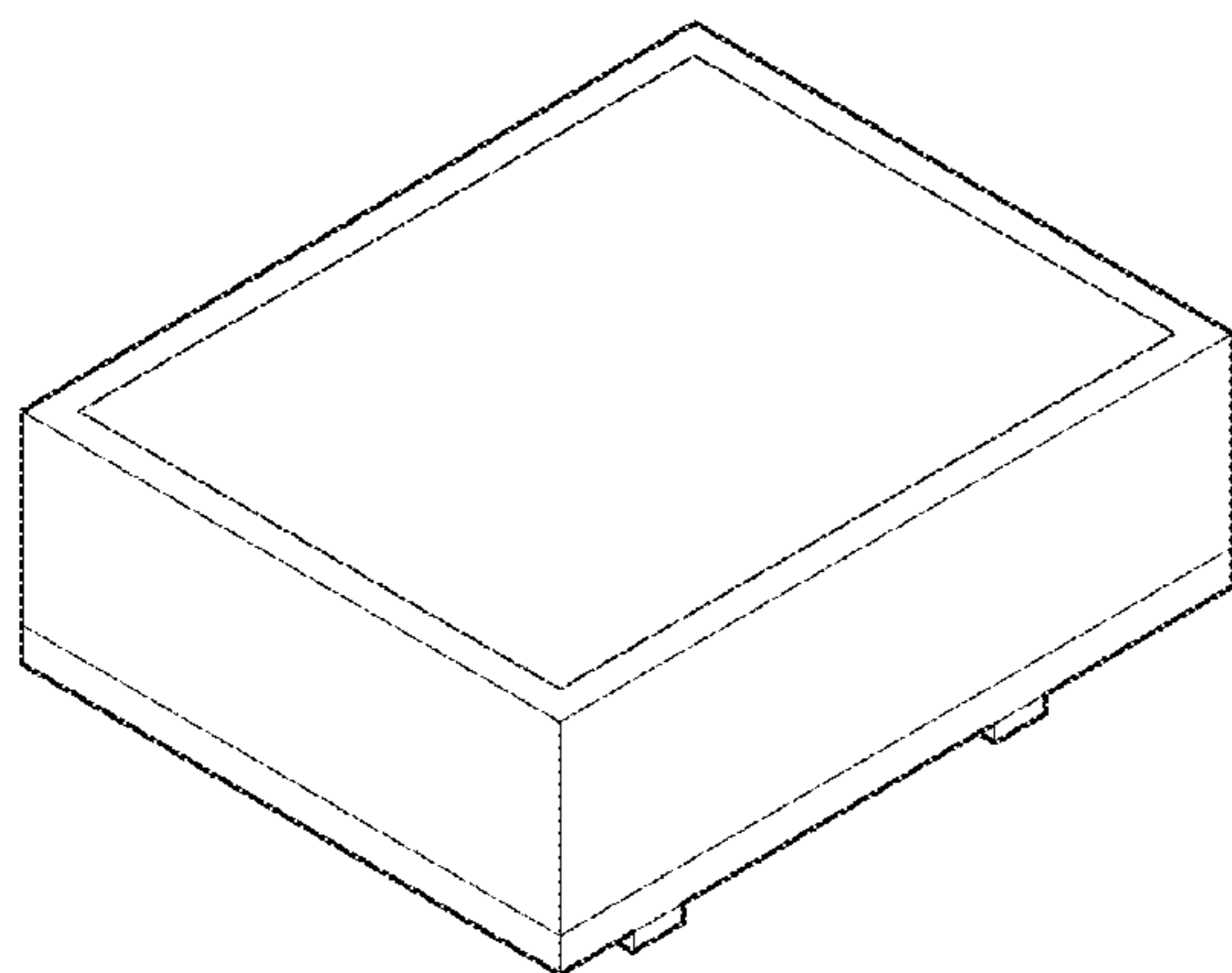


Fig. 1

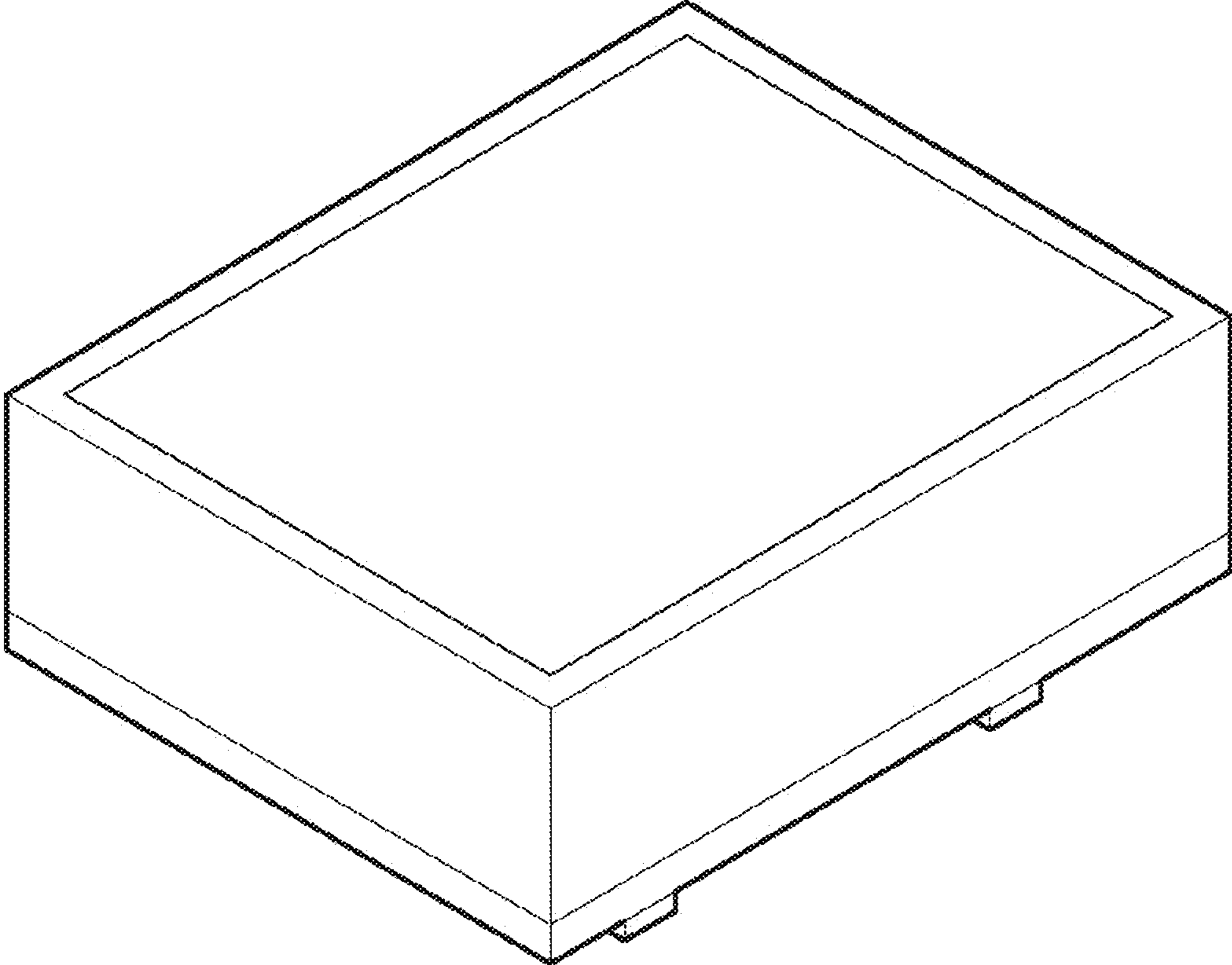


Fig. 2

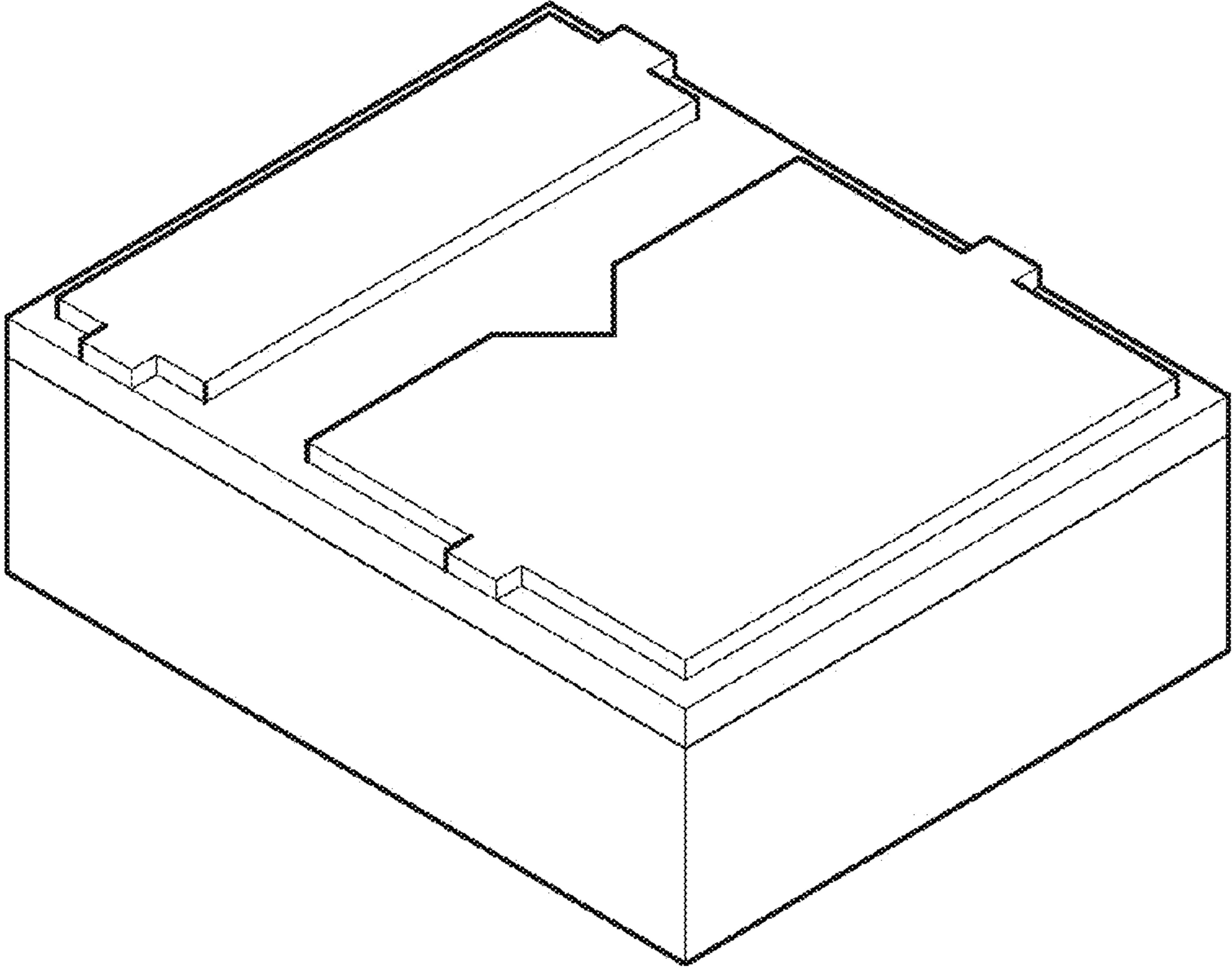


Fig. 3

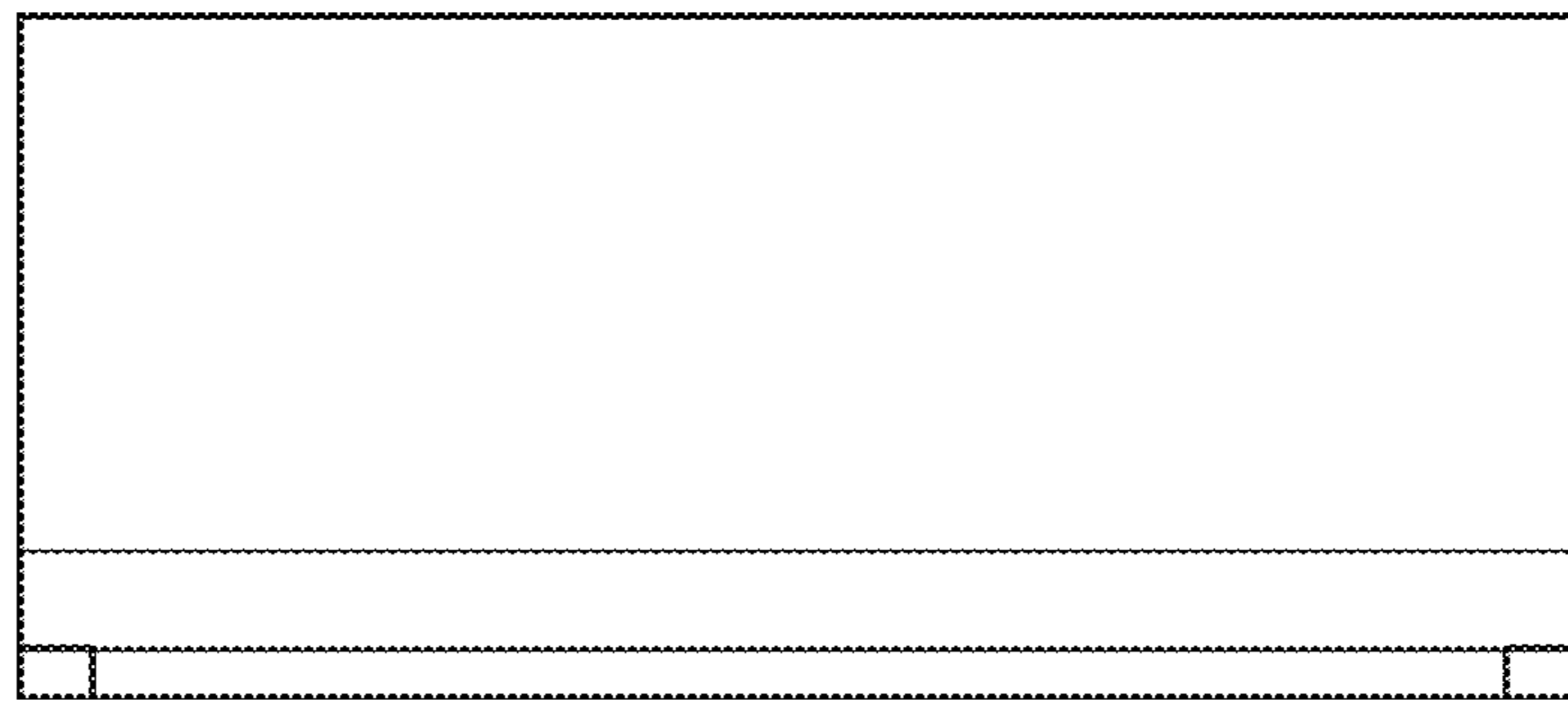


Fig. 4

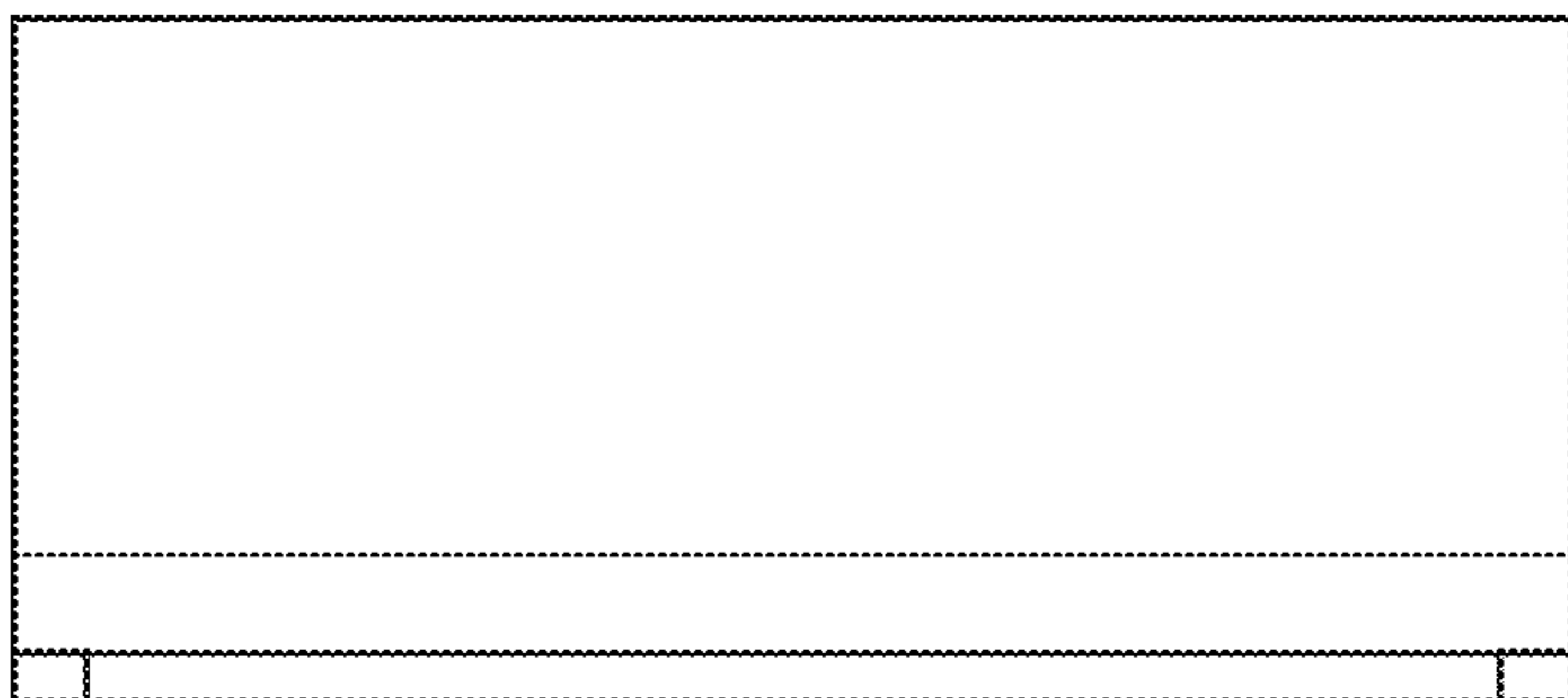


Fig. 5

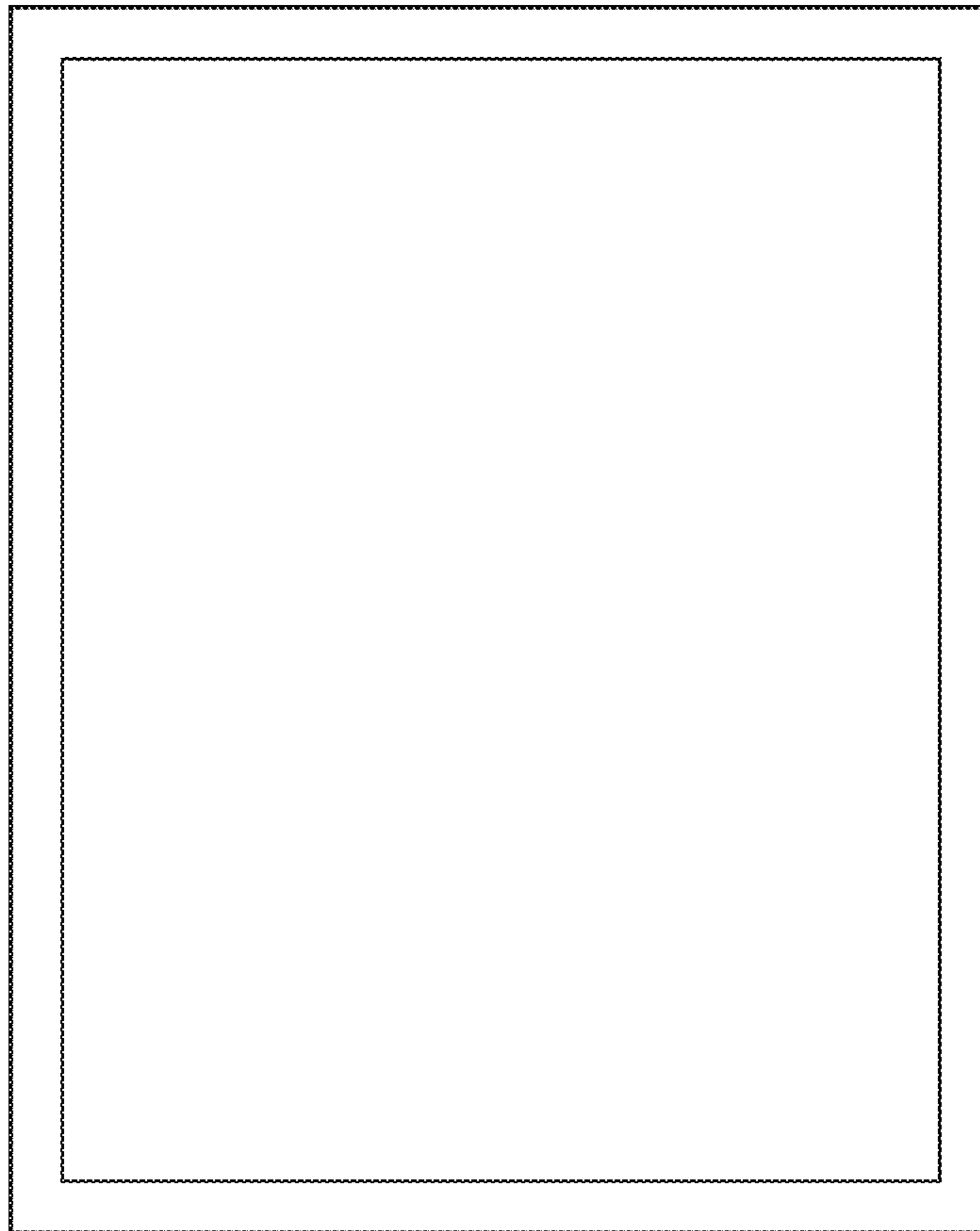


Fig. 6

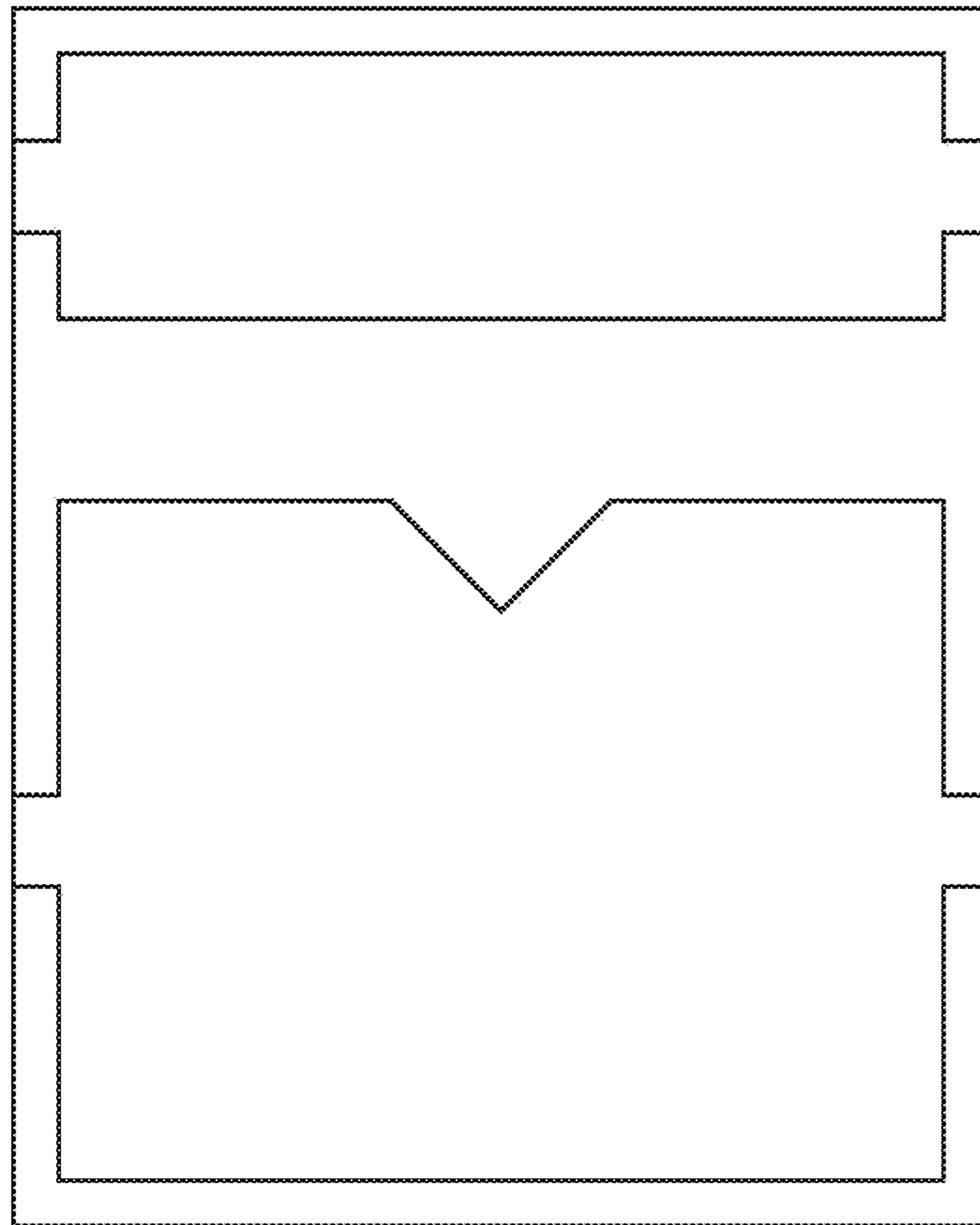


Fig. 7

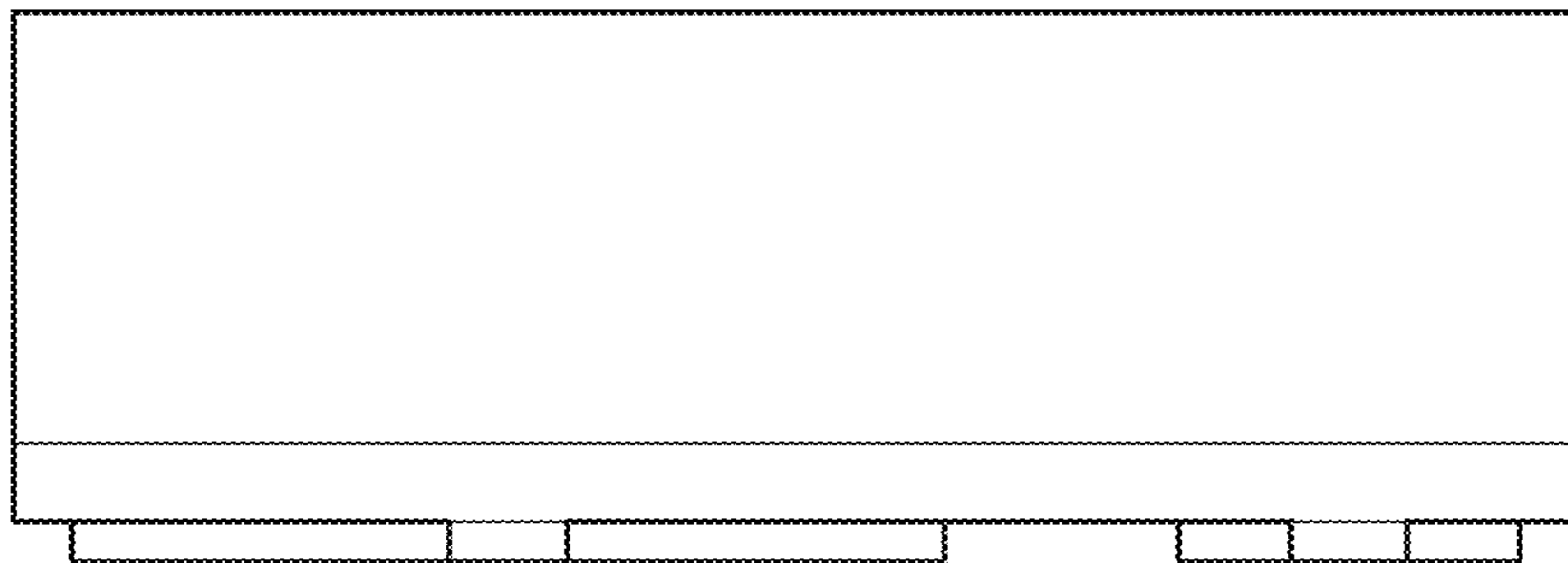


Fig. 8

