



US00D694199S

(12) **United States Design Patent**
Lin

(10) **Patent No.:** **US D694,199 S**

(45) **Date of Patent:** **** Nov. 26, 2013**

(54) **HEAT DISSIPATING DEVICE**

(71) Applicant: **Foxconn Technology Co., Ltd.**, New Taipei (TW)

(72) Inventor: **Yu-Ching Lin**, New Taipei (TW)

(73) Assignee: **Foxconn Technology Co., Ltd.**, New Taipei (TW)

(**) Term: **14 Years**

(21) Appl. No.: **29/438,467**

(22) Filed: **Nov. 30, 2012**

(51) **LOC (9) Cl.** **13-03**

(52) **U.S. Cl.**
USPC **D13/179**

(58) **Field of Classification Search**
USPC D13/179; 165/80.3, 104.26, 104.33,
165/122, 151, 185; 257/706, 707, 718-722;
361/695, 697, 700, 702, 704, 709, 710,
361/711, 719

See application file for complete search history.

(56) **References Cited**

U.S. PATENT DOCUMENTS

6,751,097	B1 *	6/2004	Lin et al.	361/695
7,679,907	B2 *	3/2010	Kaneko	361/695
7,913,749	B2 *	3/2011	Meng et al.	165/121
7,952,872	B1 *	5/2011	Hata et al.	361/697
8,233,277	B2 *	7/2012	Yang	361/695
8,379,383	B2 *	2/2013	Sugiura et al.	361/679.47
2006/0039113	A1 *	2/2006	Cheng et al.	361/700
2008/0011461	A1 *	1/2008	Hwang et al.	165/122
2008/0105410	A1 *	5/2008	Hwang et al.	165/104.33

2008/0156460	A1 *	7/2008	Hwang et al.	165/80.3
2009/0229791	A1 *	9/2009	Hung et al.	165/80.3
2010/0238628	A1 *	9/2010	Hung et al.	361/697
2011/0030923	A1 *	2/2011	Liang et al.	165/104.26
2011/0080710	A1 *	4/2011	Sugiura et al.	361/697
2012/0320526	A1 *	12/2012	Wang et al.	361/696

* cited by examiner

Primary Examiner — Selina Sikder

(74) *Attorney, Agent, or Firm* — Wei Te Chung; Ming Chieh Chang

(57) **CLAIM**

The ornamental design for a heat dissipating device, as shown and described.

DESCRIPTION

FIG. 1 is a perspective view of a heat dissipating device showing my new design.

FIG. 2 is a front elevational view of the heat dissipating device.

FIG. 3 is a rear elevational view of the heat dissipating device. FIG. 4 is a left-side, elevational view of the heat dissipating device.

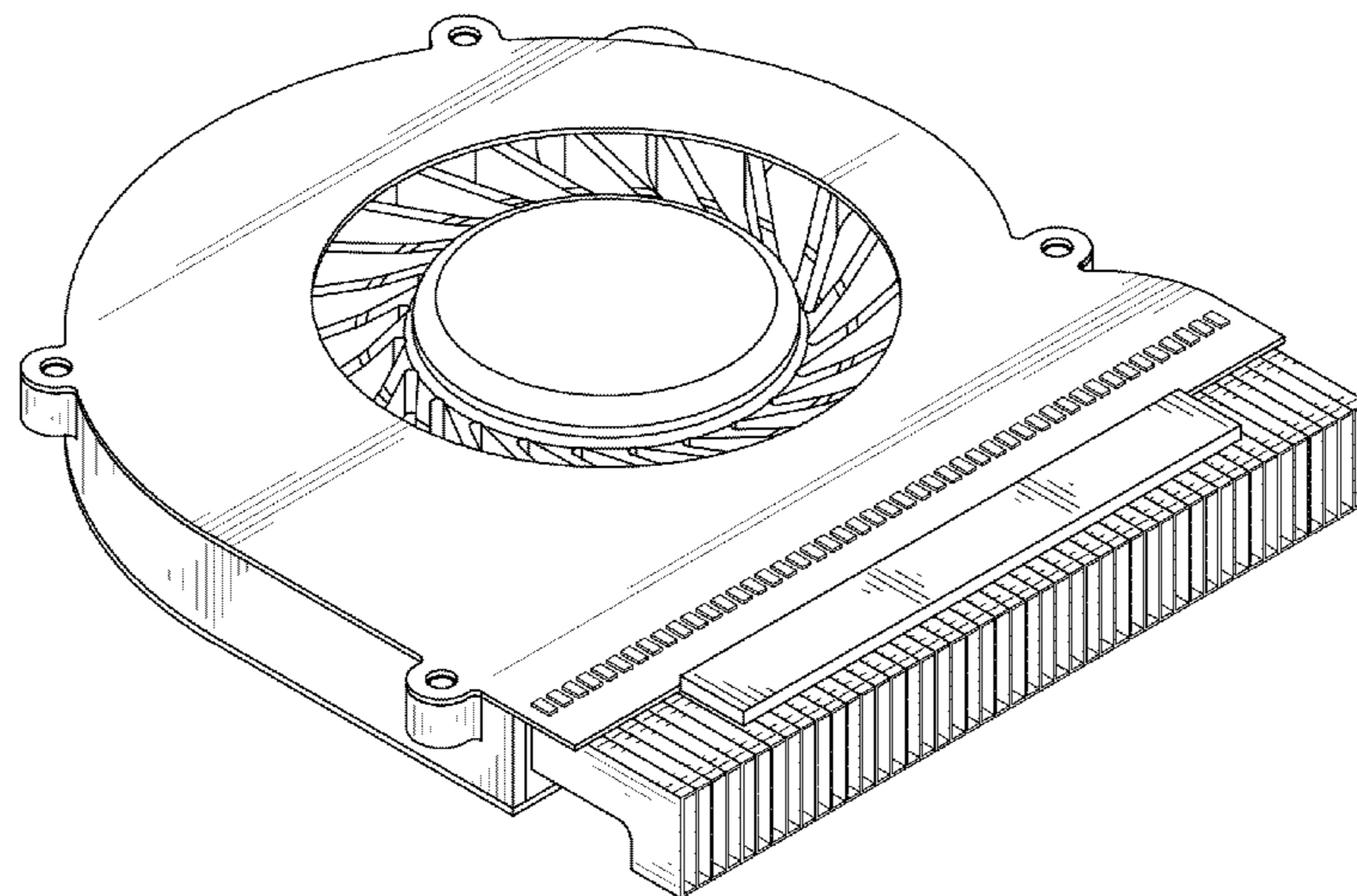
FIG. 5 is a right-side, elevational view of the heat dissipating device.

FIG. 6 is a top plan view of the heat dissipating device.

FIG. 7 is a bottom plan view of the heat dissipating device; and,

FIG. 8 is another perspective view of the heat dissipating device, showing a heat pipe interconnecting the heat dissipating device and a base, wherein the heat pipe and the base are shown in broken lines for illustrative environmental purposes only and form no part of the claimed design.

1 Claim, 8 Drawing Sheets



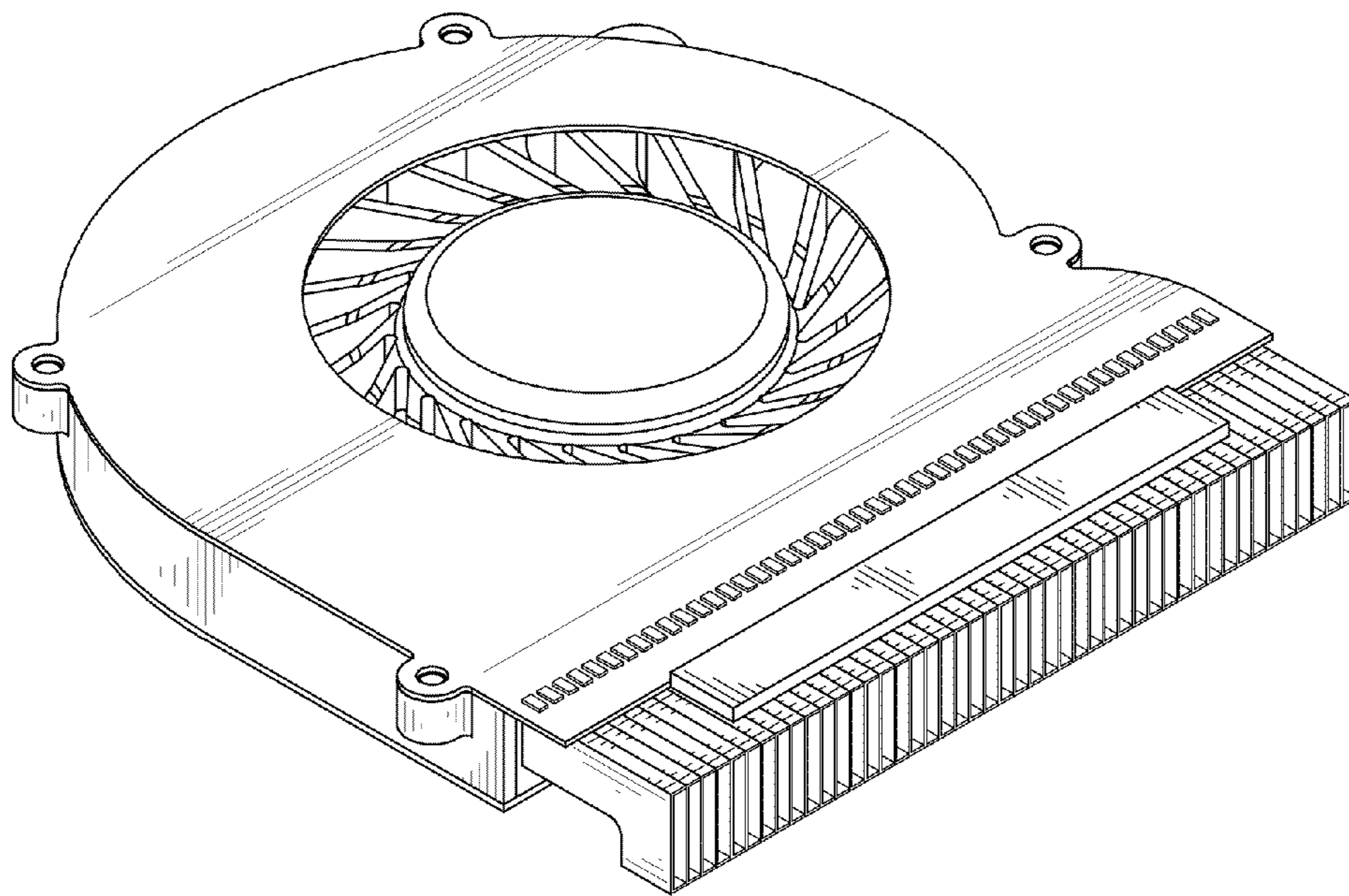


FIG. 1

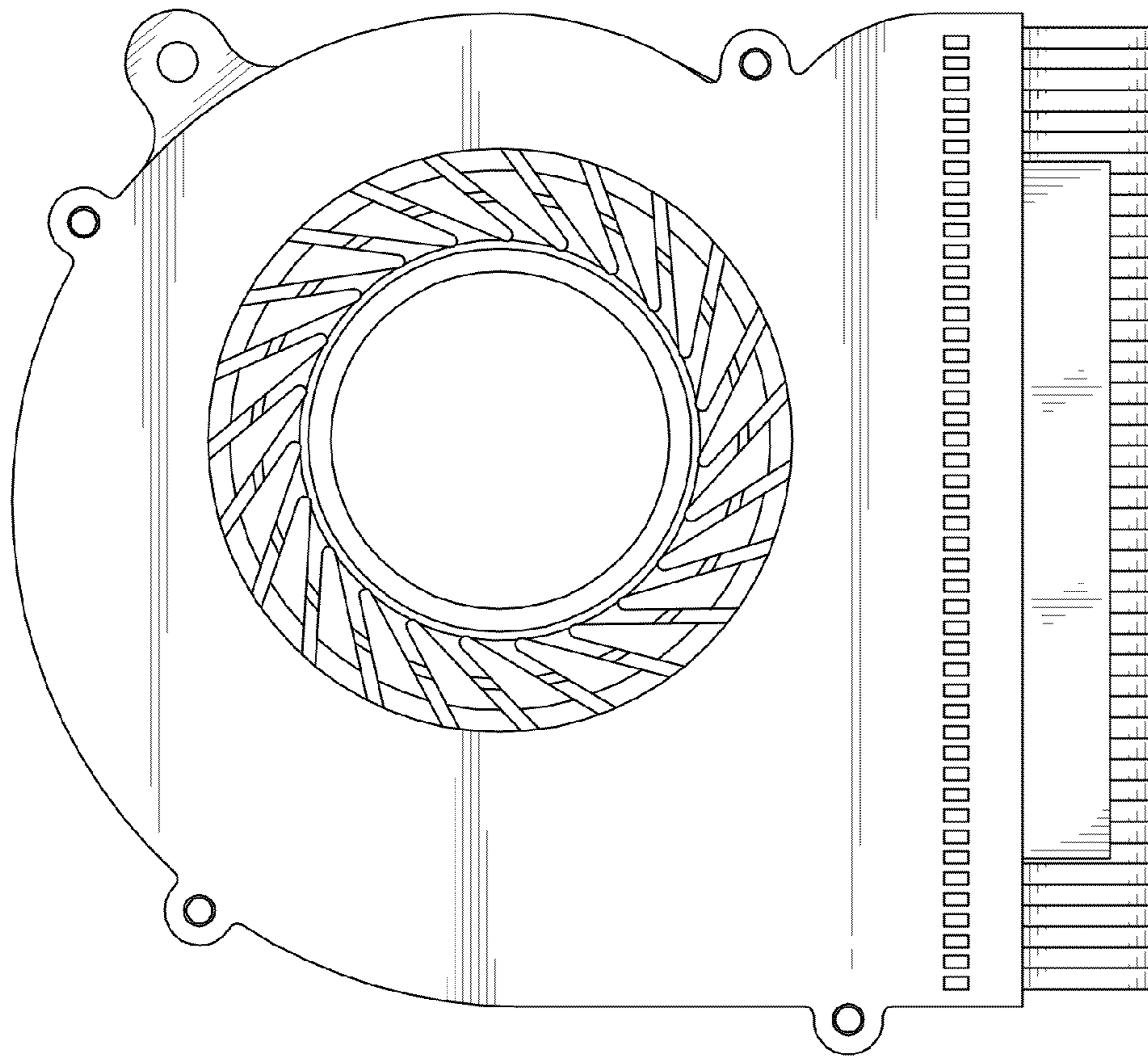


FIG. 2

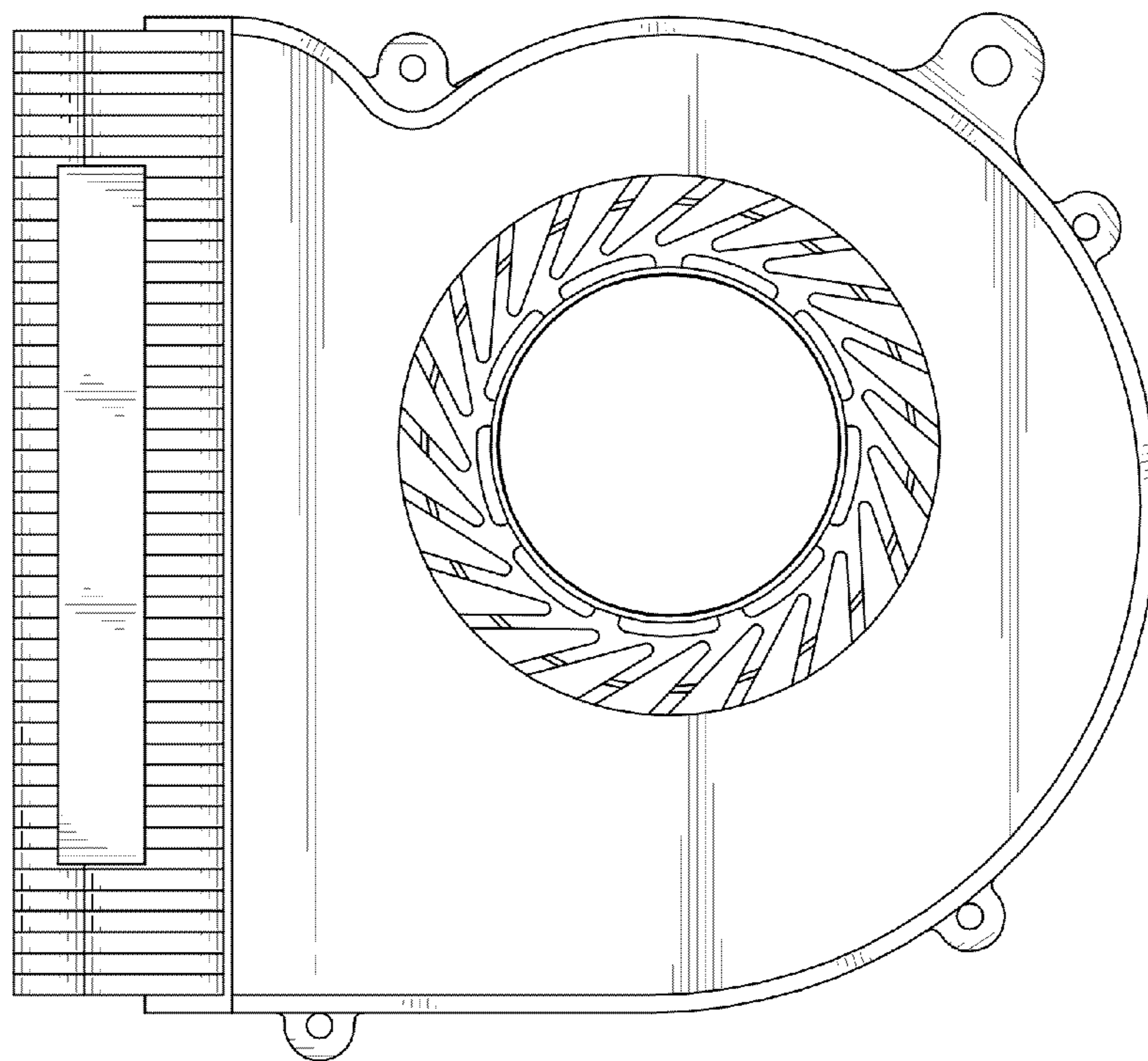


FIG. 3

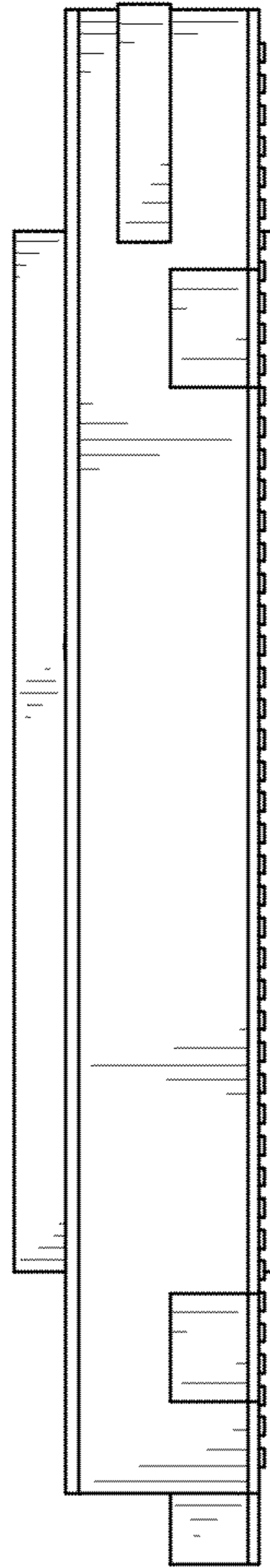


FIG. 4

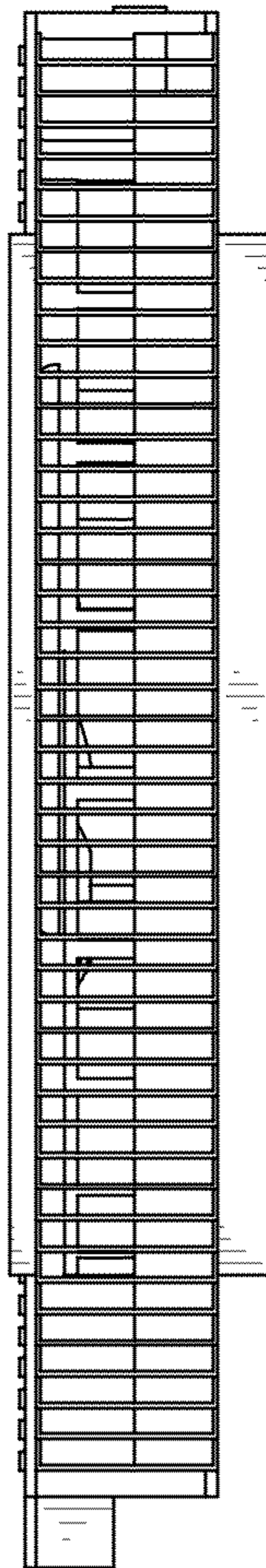


FIG. 5

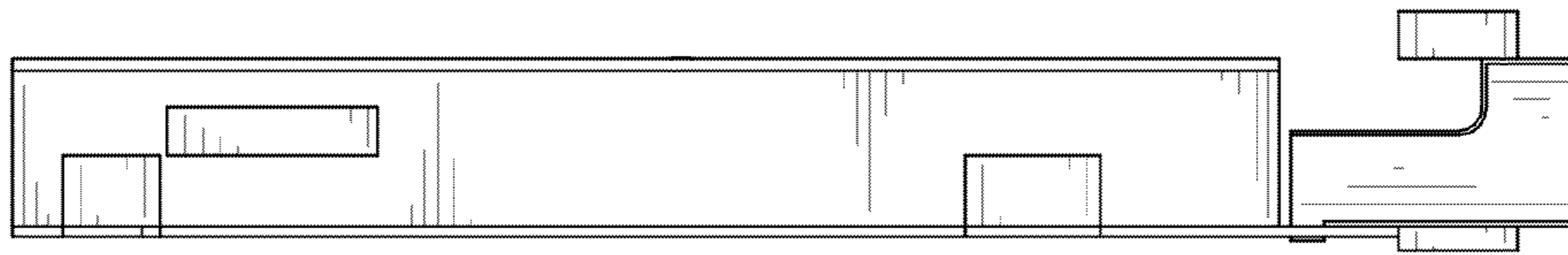


FIG. 6

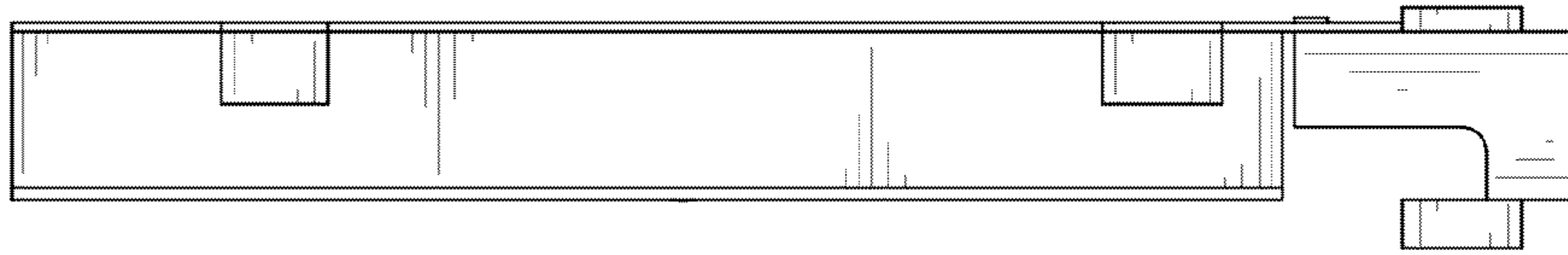


FIG. 7

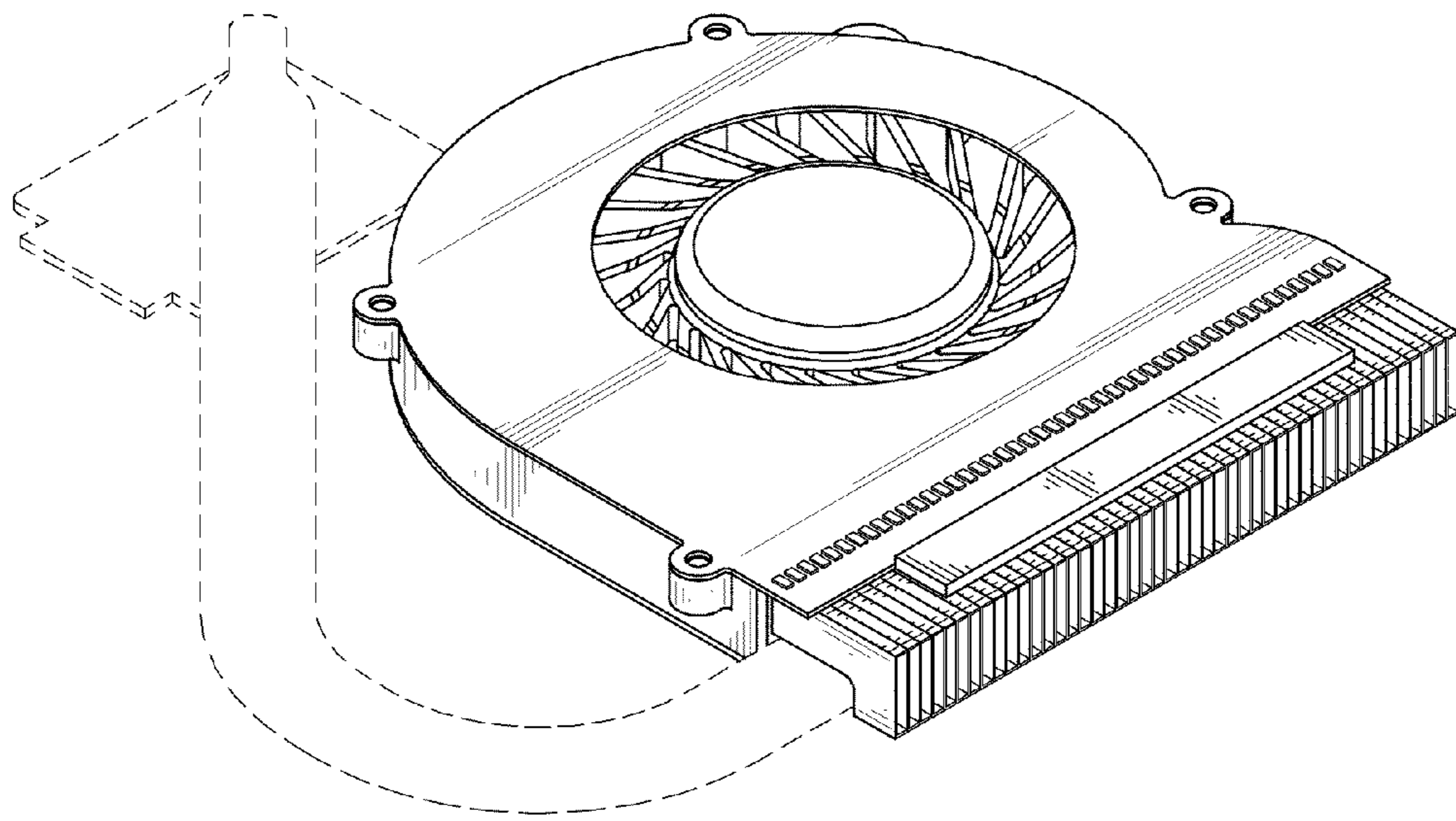


FIG. 8