

US00D694198S

(12) **United States Design Patent**
Felegy, Jr. et al.

(10) **Patent No.:** **US D694,198 S**

(45) **Date of Patent:** **** *Nov. 26, 2013**

(54) **REMOTE CONTROL**

(75) Inventors: **Edward M. Felegy, Jr.**, Macungie, PA (US); **Gregory M. Snyder**, Germansville, PA (US); **Gregory Altonen**, Easton, PA (US); **Elliot G. Jacoby**, Glenside, PA (US); **Noel Mayo**, Philadelphia, PA (US); **Joel S. Spira**, Coopersburg, PA (US)

(73) Assignee: **Lutron Electronics Co., Inc.**, Coopersburg, PA (US)

(*) Notice: This patent is subject to a terminal disclaimer.

(**) Term: **14 Years**

(21) Appl. No.: **29/429,762**

(22) Filed: **Aug. 16, 2012**

Related U.S. Application Data

(62) Division of application No. 29/384,850, filed on Feb. 4, 2011, now abandoned.

(51) **LOC (9) Cl.** **14-03**

(52) **U.S. Cl.**
USPC **D13/168**

(58) **Field of Classification Search**
USPC D13/164, 168, 174; D10/104.1, 106.1; D14/218; D26/26; 315/158, 295; 340/4.3, 4.42, 12.22, 12.23, 12.24, 340/12.29, 12.3, 13.2, 13.21, 13.24; 341/176; 345/169; 348/734; 455/352; 463/39; 700/17, 65, 83

See application file for complete search history.

(56) **References Cited**

U.S. PATENT DOCUMENTS

D320,786 S * 10/1991 Darnell et al. D13/171
D323,488 S 1/1992 Darnell et al.

5,637,964 A * 6/1997 Hakkarainen et al. 315/295
D539,238 S * 3/2007 Mayo et al. D13/168
D592,606 S 5/2009 Felegy, Jr. et al.
D592,611 S * 5/2009 Altonen et al. D13/171
D606,030 S * 12/2009 Felegy et al. D13/171
D616,835 S 6/2010 Felegy, Jr. et al.
D619,106 S 7/2010 Felegy, Jr. et al.

(Continued)

OTHER PUBLICATIONS

Lutron Electronics Co., Inc., Aurora Wireless Lighting Control Brochure, Nov. 2006, 2 pages.

(Continued)

Primary Examiner — Selina Sikder

(74) *Attorney, Agent, or Firm* — Mark E. Rose; Philip N. Smith; Bridget L. McDonough

(57) **CLAIM**

We claim the ornamental design for a remote control, as shown and described.

DESCRIPTION

FIG. 1 is a perspective view of a remote control according to a first embodiment of our new design.

FIG. 2 is a front view thereof.

FIG. 3 is a left side view thereof.

FIG. 4 is a right side view thereof.

FIG. 5 is a top view thereof.

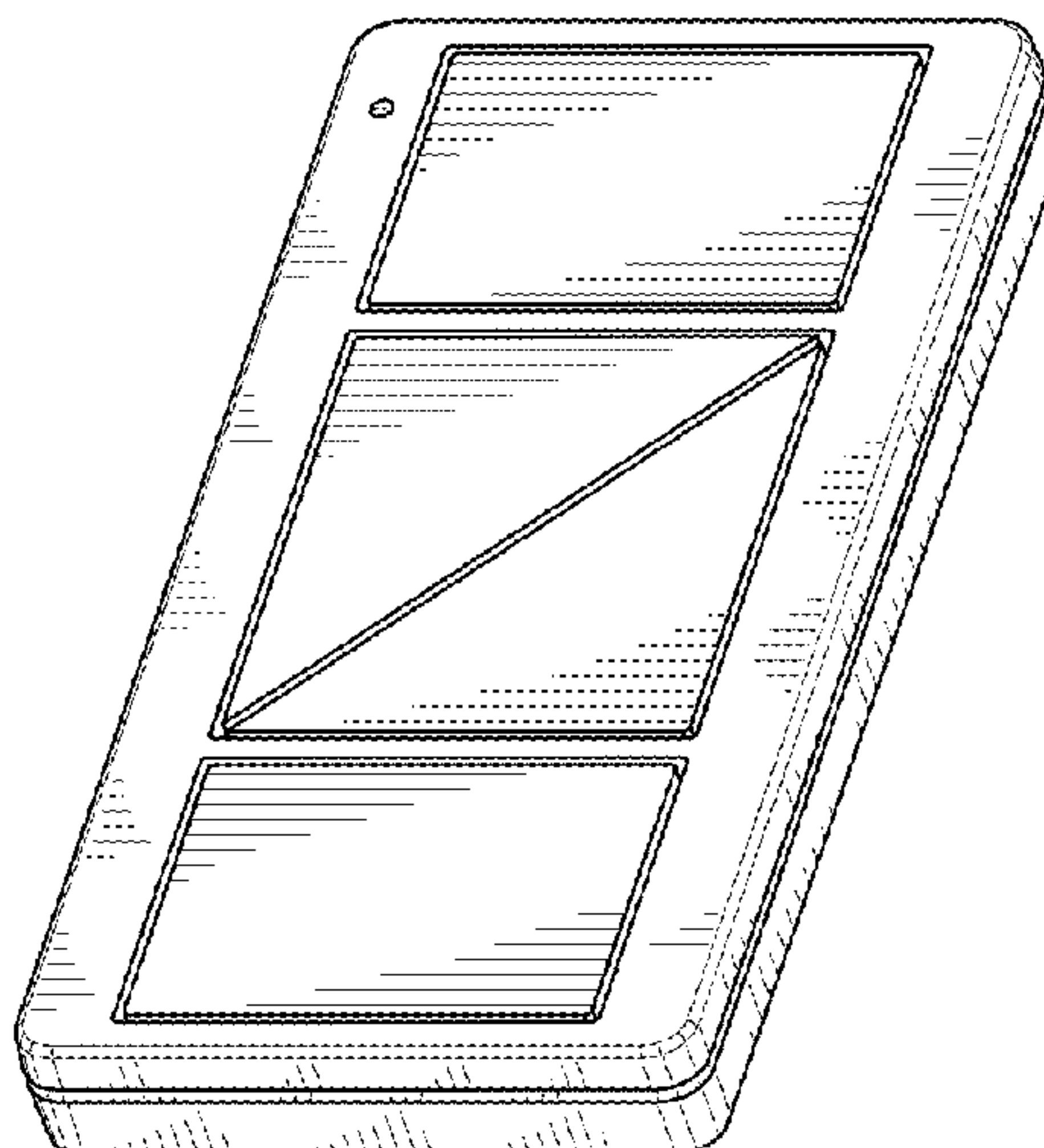
FIG. 6 is a bottom view thereof.

FIG. 7 is a perspective view of a remote control according to a second embodiment of our new design; and,

FIG. 8 is a front view thereof, left side, right side, top, and bottom views, respectively, of the second embodiment being identical to the left side, right side, top, and bottom views of the first embodiment.

The rear views form no part of the design and are omitted.

1 Claim, 6 Drawing Sheets



(56)

References Cited

2009/0251352 A1* 10/2009 Altonen et al. 341/176

U.S. PATENT DOCUMENTS

OTHER PUBLICATIONS

D631,856 S 2/2011 Altonen et al.
D646,232 S 10/2011 Felegy, Jr. et al.
D661,664 S 6/2012 Felegy, Jr. et al.

U.S. Appl. No. 29/429,713, Aug. 15, 2012, Felegy, Jr. et al.

* cited by examiner

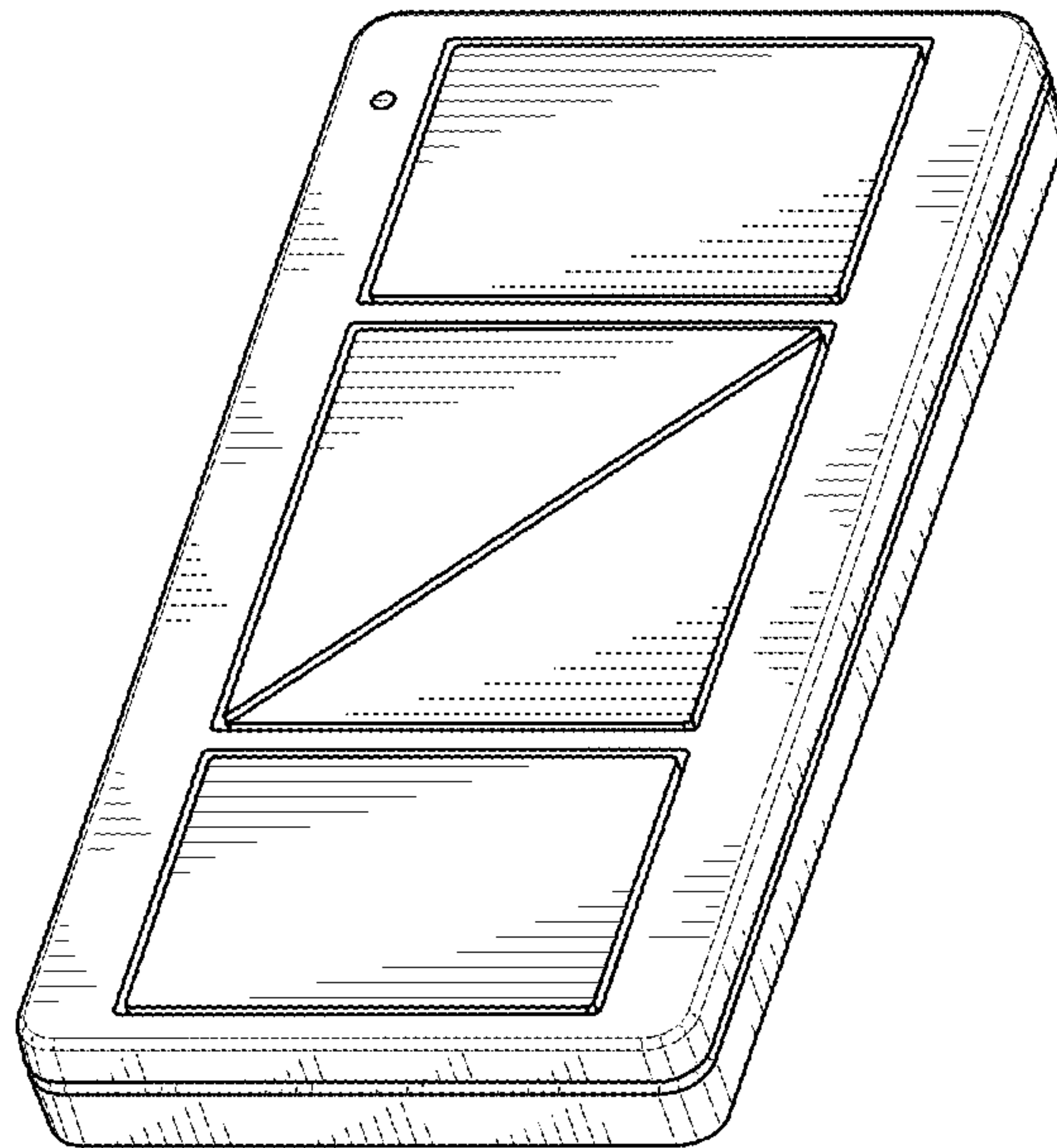


Fig. 1

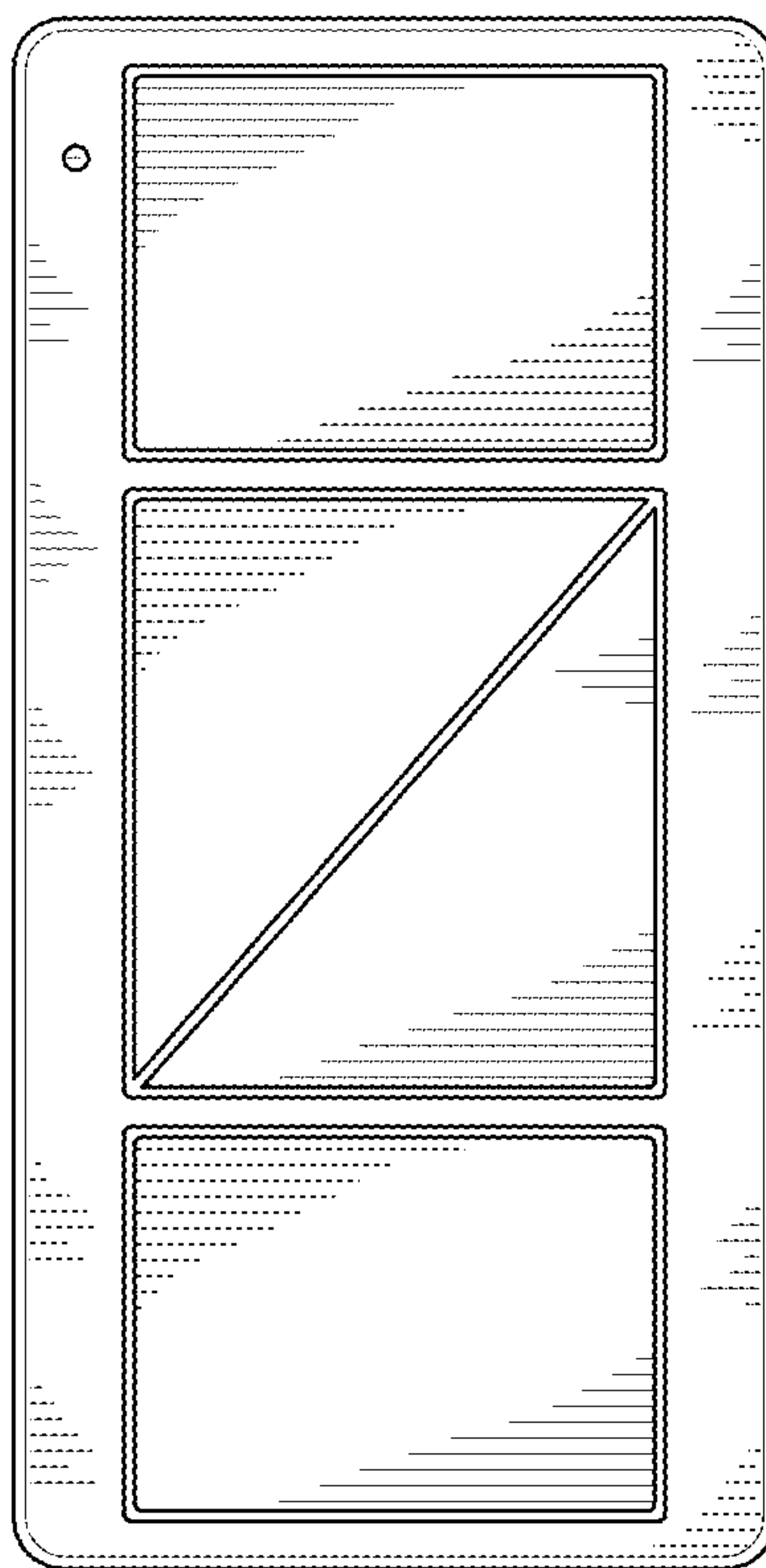


Fig. 2

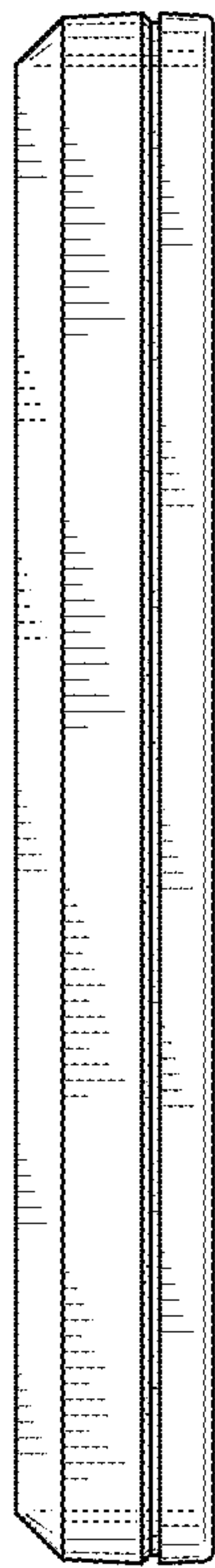


Fig. 3

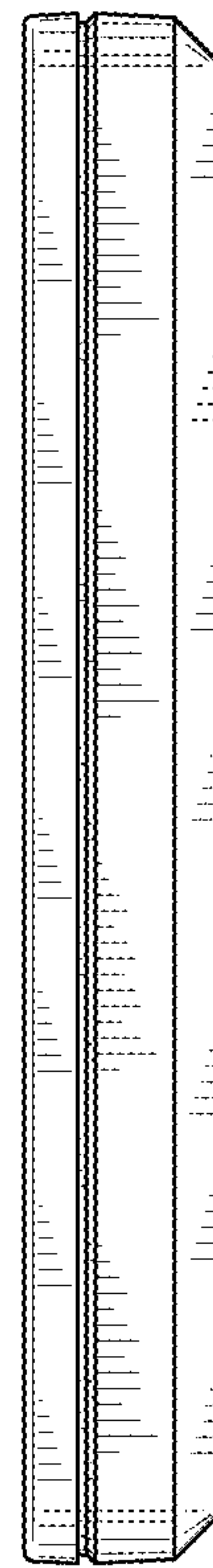


Fig. 4

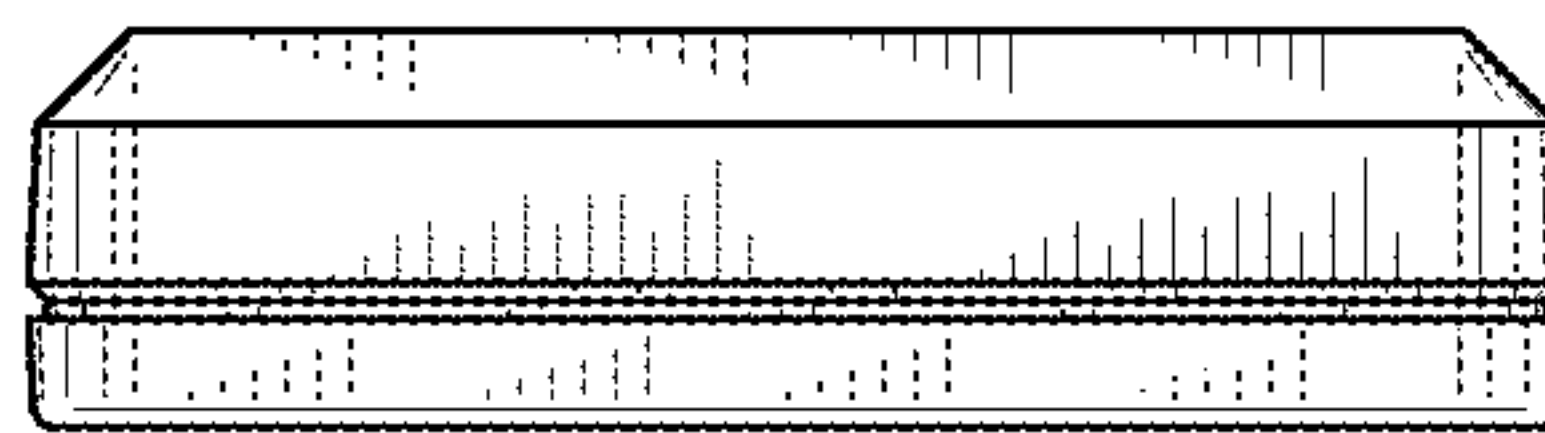


Fig. 5

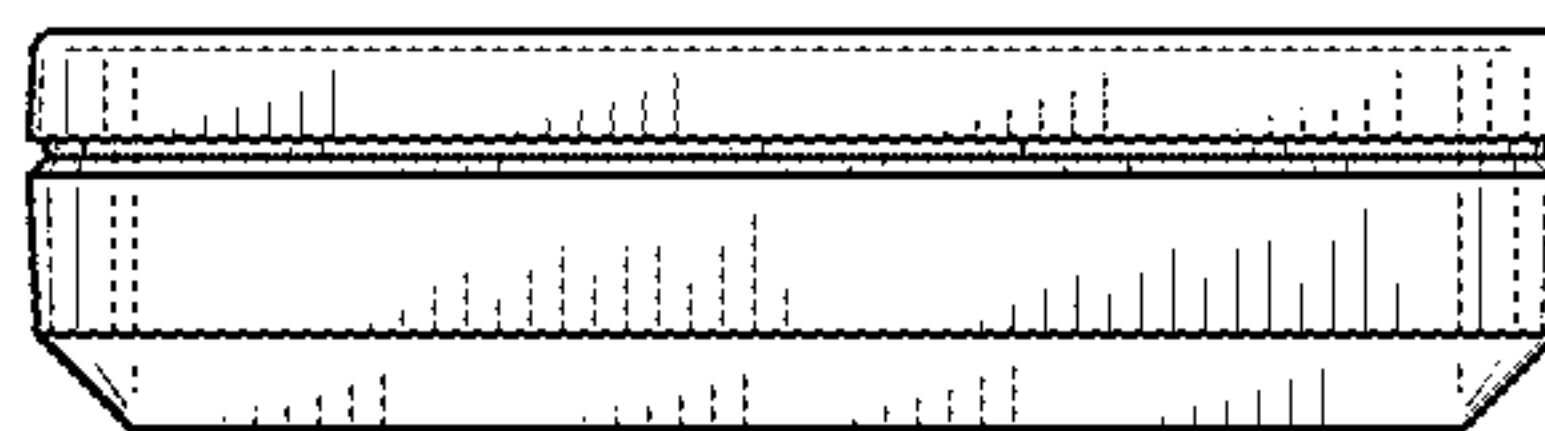


Fig. 6

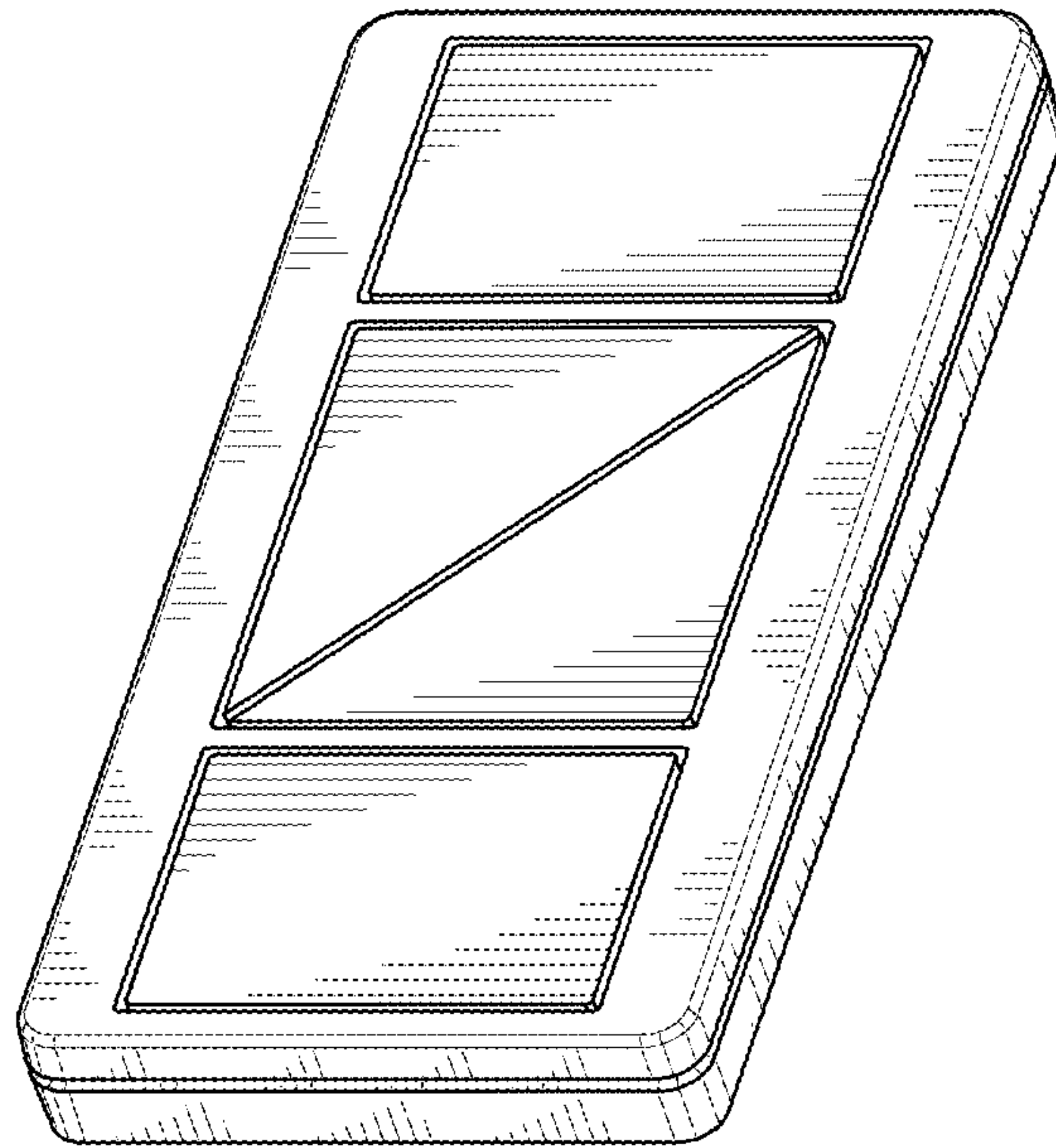


Fig. 7

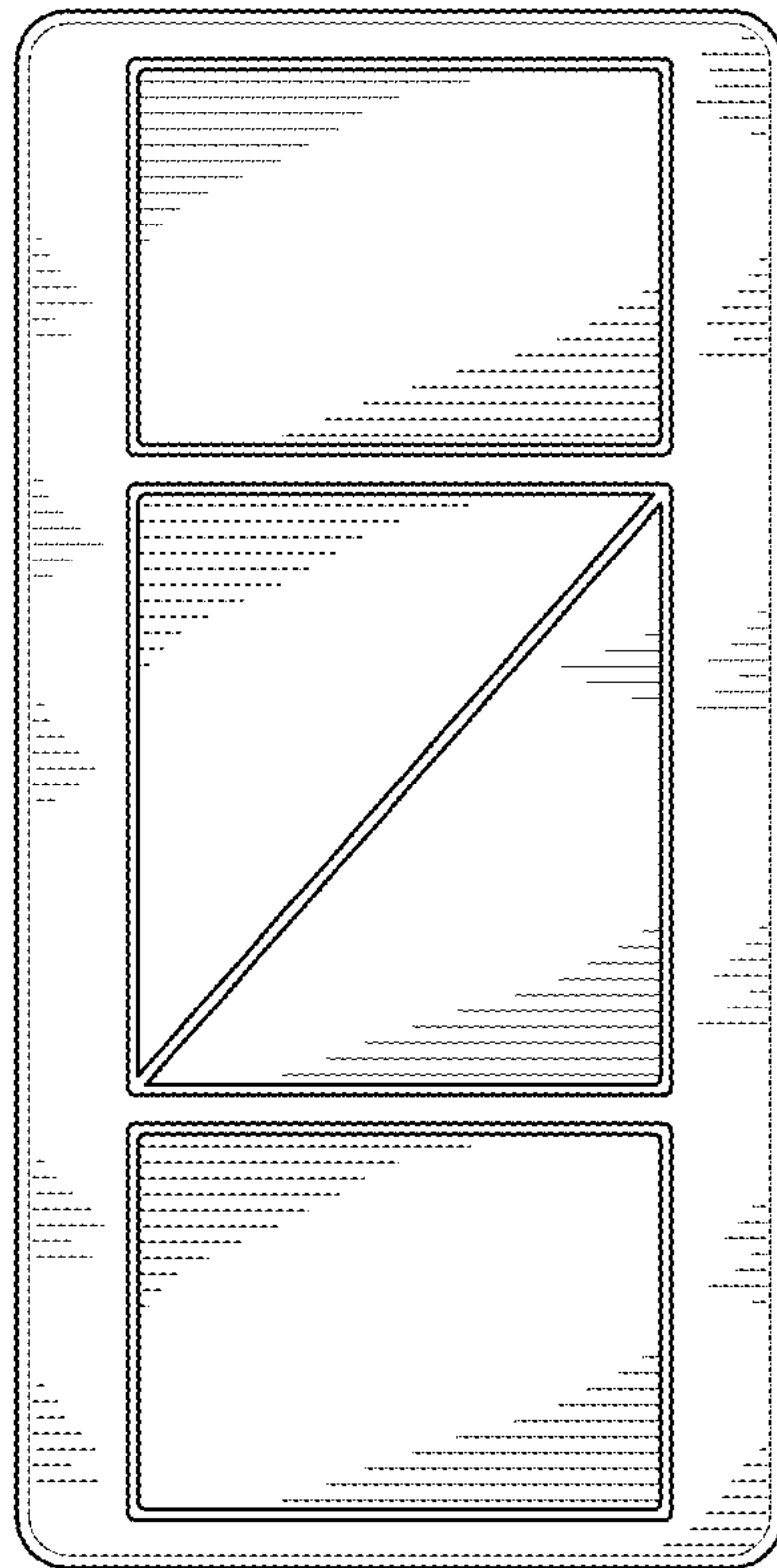


Fig. 8