

US00D694197S

(12) **United States Design Patent**
Felegy, Jr. et al.

(10) **Patent No.:** **US D694,197 S**

(45) **Date of Patent:** **** *Nov. 26, 2013**

(54) **TABLETOP REMOTE LOAD CONTROL DEVICE**

(56) **References Cited**

(75) Inventors: **Edward M. Felegy, Jr.**, Macungie, PA (US); **Gregory M. Snyder**, Germansville, PA (US); **David William Petrillo**, Pennington, NJ (US); **Gregory Altonen**, Easton, PA (US); **Elliot G. Jacoby**, Glenside, PA (US); **Noel Mayo**, Philadelphia, PA (US)

D397,814 S	9/1998	Pun
D426,328 S	6/2000	Yuen
D434,863 S	12/2000	Boessel
D450,043 S	11/2001	Mosebrook
D543,158 S	5/2007	Blair et al.

U.S. PATENT DOCUMENTS

(Continued)

OTHER PUBLICATIONS

Lutron Electronics Co., Inc., AuroRA Wireless Lighting Control Brochure, Nov. 2006, 2 pages.
Lutron Electronics Co., Inc., Maestro Wireless Solutions Brochure, Apr. 2010, 8 pages.

(Continued)

(73) Assignee: **Lutron Electronics Co., Inc.**, Coopersburg, PA (US)

(*) Notice: This patent is subject to a terminal disclaimer.

Primary Examiner — Selina Sikder

(**) Term: **14 Years**

(74) *Attorney, Agent, or Firm* — Mark E. Rose; Philip N. Smith; Bridget L. McDonough

(21) Appl. No.: **29/428,774**

(57) **CLAIM**

(22) Filed: **Aug. 3, 2012**

We claim the ornamental design for a tabletop remote load control device, as shown and described.

DESCRIPTION

Related U.S. Application Data

(62) Division of application No. 29/391,819, filed on May 13, 2011, now abandoned.

(51) **LOC (9) Cl.** **14-03**

(52) **U.S. Cl.**
USPC **D13/168**

(58) **Field of Classification Search**

USPC D13/164, 168, 174; D10/104.1, 106.1; D14/218; D26/26; 315/158, 295; 340/4.3, 4.42, 12.22, 12.23, 12.24, 340/12.29, 12.3, 13.2, 13.21, 13.24; 341/176; 345/169; 348/734; 455/352; 463/39; 700/17, 65, 83

See application file for complete search history.

FIG. 1 is a perspective view of a tabletop remote load control device according to a first embodiment of our new design.

FIG. 2 is a front view thereof.

FIG. 3 is a left side view thereof.

FIG. 4 is a right side view thereof.

FIG. 5 is a top view thereof.

FIG. 6 is a bottom view thereof.

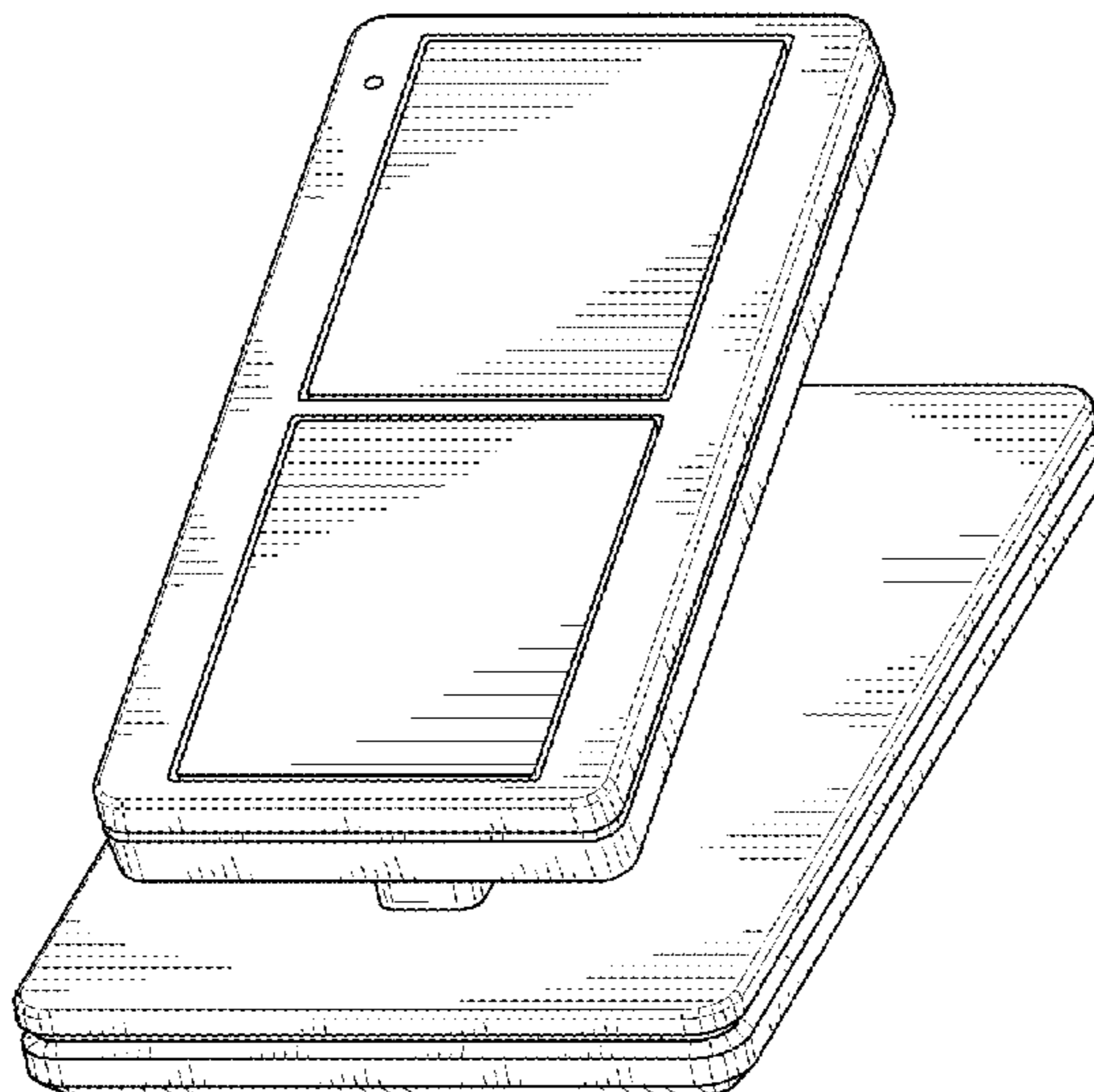
FIG. 7 is a perspective view of a tabletop remote load control device according to a second embodiment of our new design.

FIG. 8 is a front view thereof; and,

FIG. 9 is a bottom view thereof, the left side, right side, and top views, respectively, of the second embodiment being identical to the left side, right side, and top views of the first embodiment.

The rear views form no part of the design and are omitted.

1 Claim, 8 Drawing Sheets



(56)

References Cited

U.S. PATENT DOCUMENTS

D611,431 S * 3/2010 Snyder et al. D13/168
D614,146 S 4/2010 Felegy, Jr. et al.
D616,836 S 6/2010 Felegy, Jr. et al.
D619,105 S 7/2010 Felegy, Jr. et al.
D619,544 S 7/2010 Petrillo et al.
D627,308 S 11/2010 Snyder et al.
D627,309 S 11/2010 Snyder et al.
D631,855 S 2/2011 Blair et al.
D640,209 S 6/2011 Felegy, Jr. et al.
D647,066 S * 10/2011 Jacoby et al. D13/168
D649,124 S * 11/2011 Jacoby et al. D13/168
D655,254 S * 3/2012 Jacoby et al. D13/168

OTHER PUBLICATIONS

Lutron Electronics Co., Inc., Maestro Wireless Installation Guide, Jun. 2010, 2 sheets.
U.S. Appl. No. 29/391,816, filed May 13, 2011, Felegy, Jr. et al.
U.S. Appl. No. 29/391,819, filed May 13, 2011, Felegy, Jr. et al.
U.S. Appl. No. 29/391,851, filed May 13, 2011, Felegy, Jr. et al.
U.S. Appl. No. 29/394,730, filed Jun. 21, 2011, Felegy, Jr. et al.
U.S. Appl. No. 29/394,736, filed Jun. 21, 2011, Felegy, Jr. et al.
U.S. Appl. No. 29/394,737, filed Jun. 21, 2011, Felegy, Jr. et al.
U.S. Appl. No. 29/423,149, filed May 29, 2012, Felegy, Jr. et al.
U.S. Appl. No. 29/423,152, filed May 29, 2012, Felegy, Jr. et al.
U.S. Appl. No. 29/428,731, filed Aug. 3, 2012, Felegy, Jr. et al.
U.S. Appl. No. 29/428,780, filed Aug. 3, 2012, Felegy, Jr. et al.

* cited by examiner

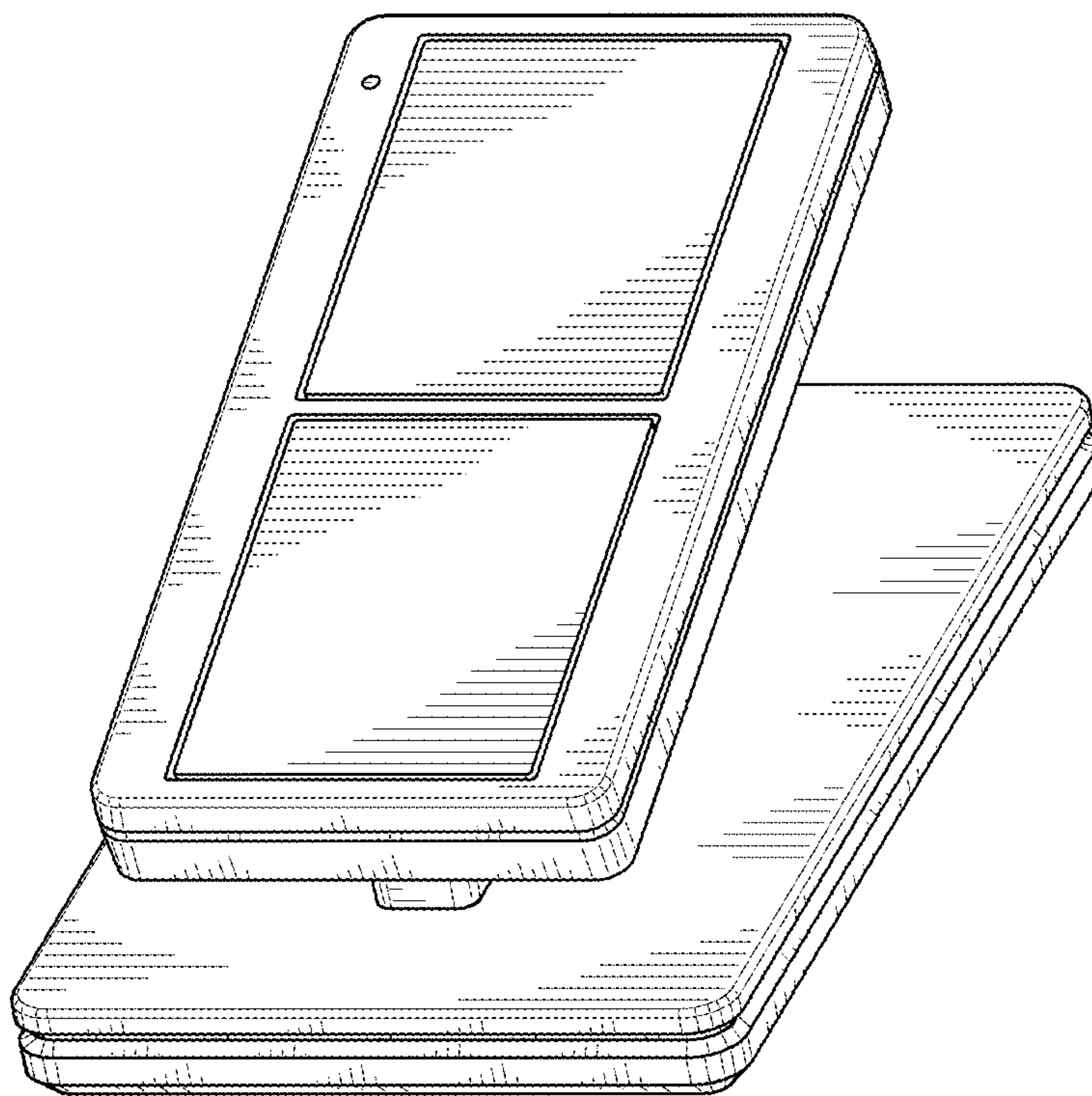


Fig. 1

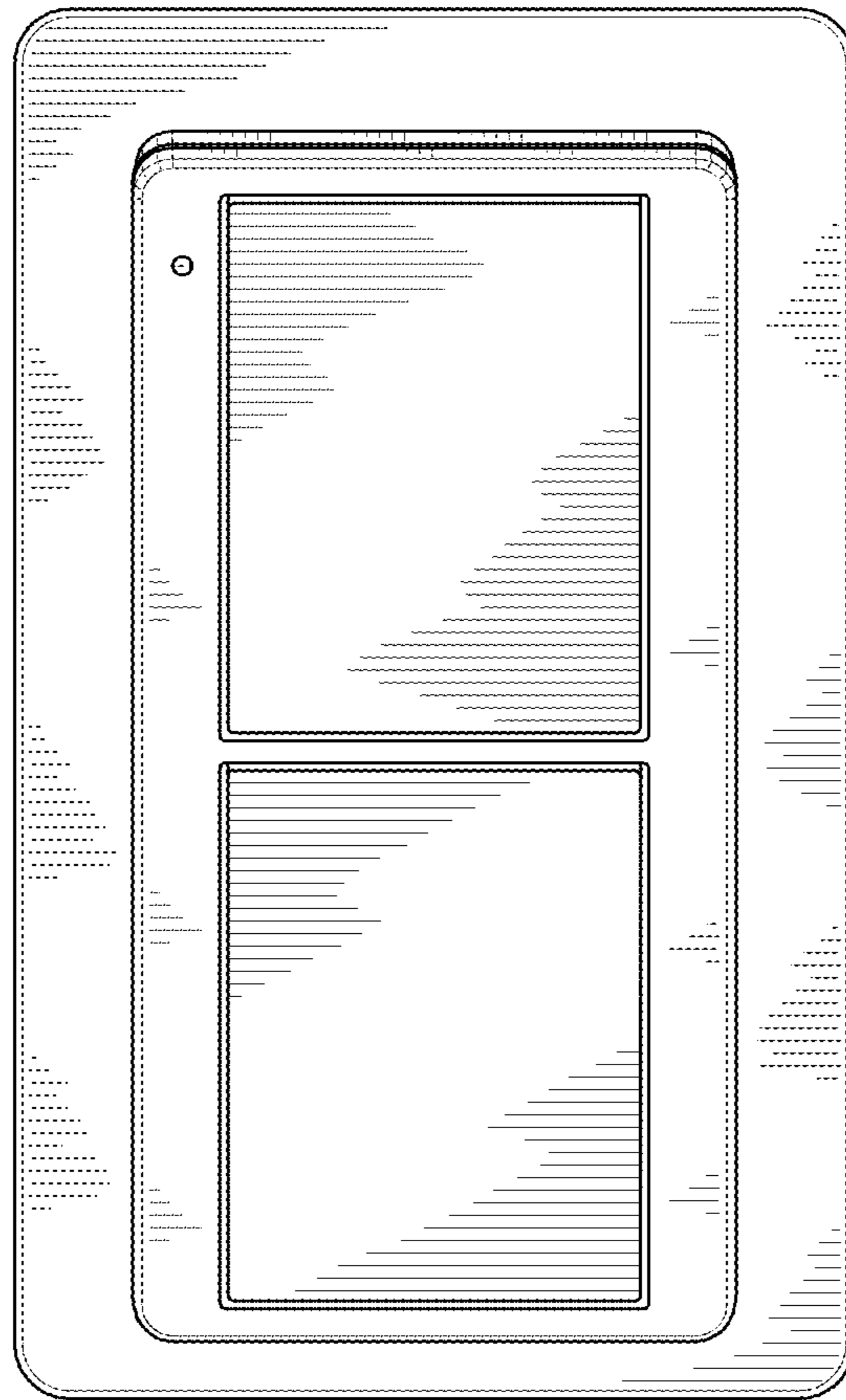


Fig. 2

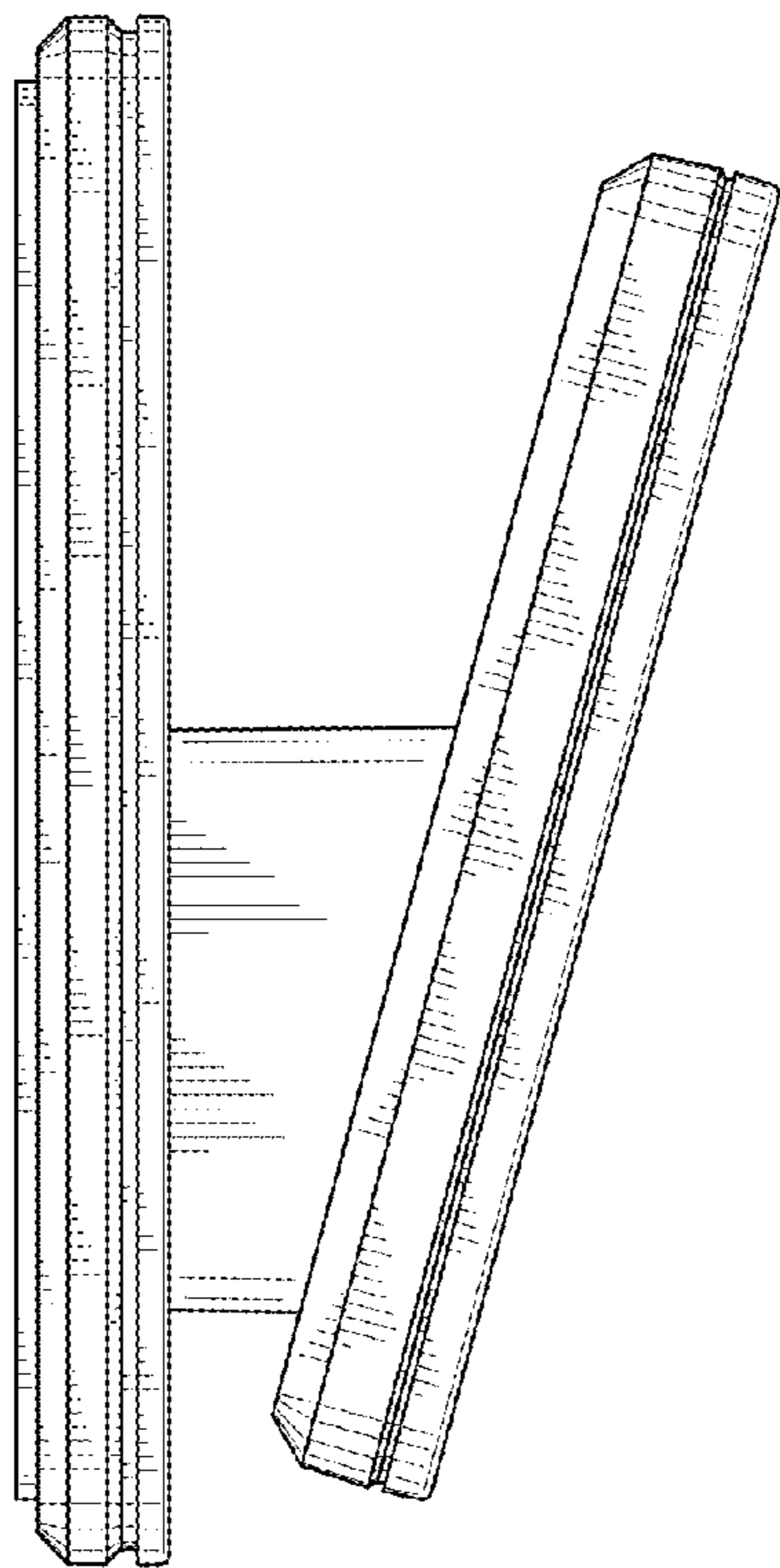


Fig. 3

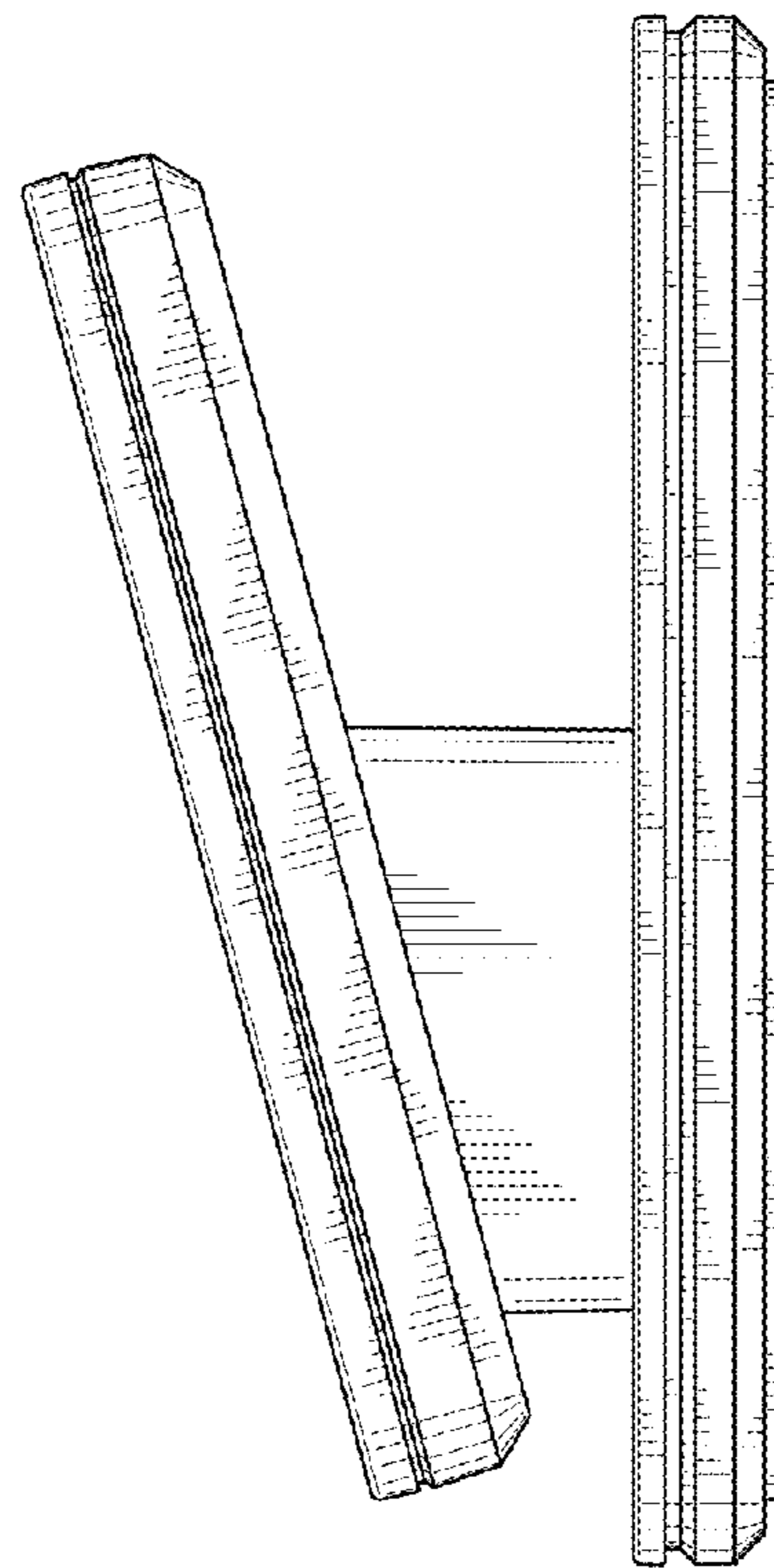


Fig. 4

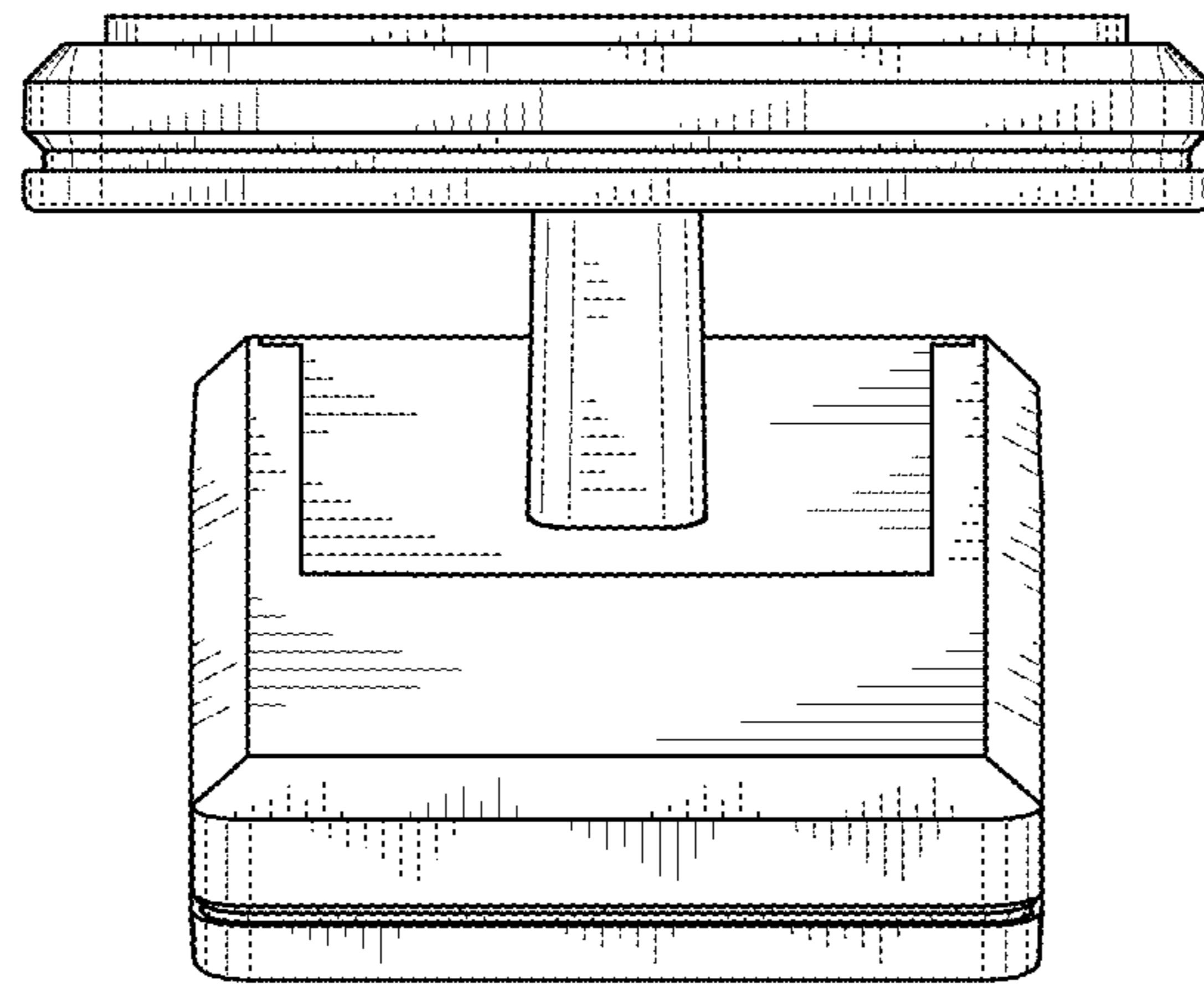


Fig. 5

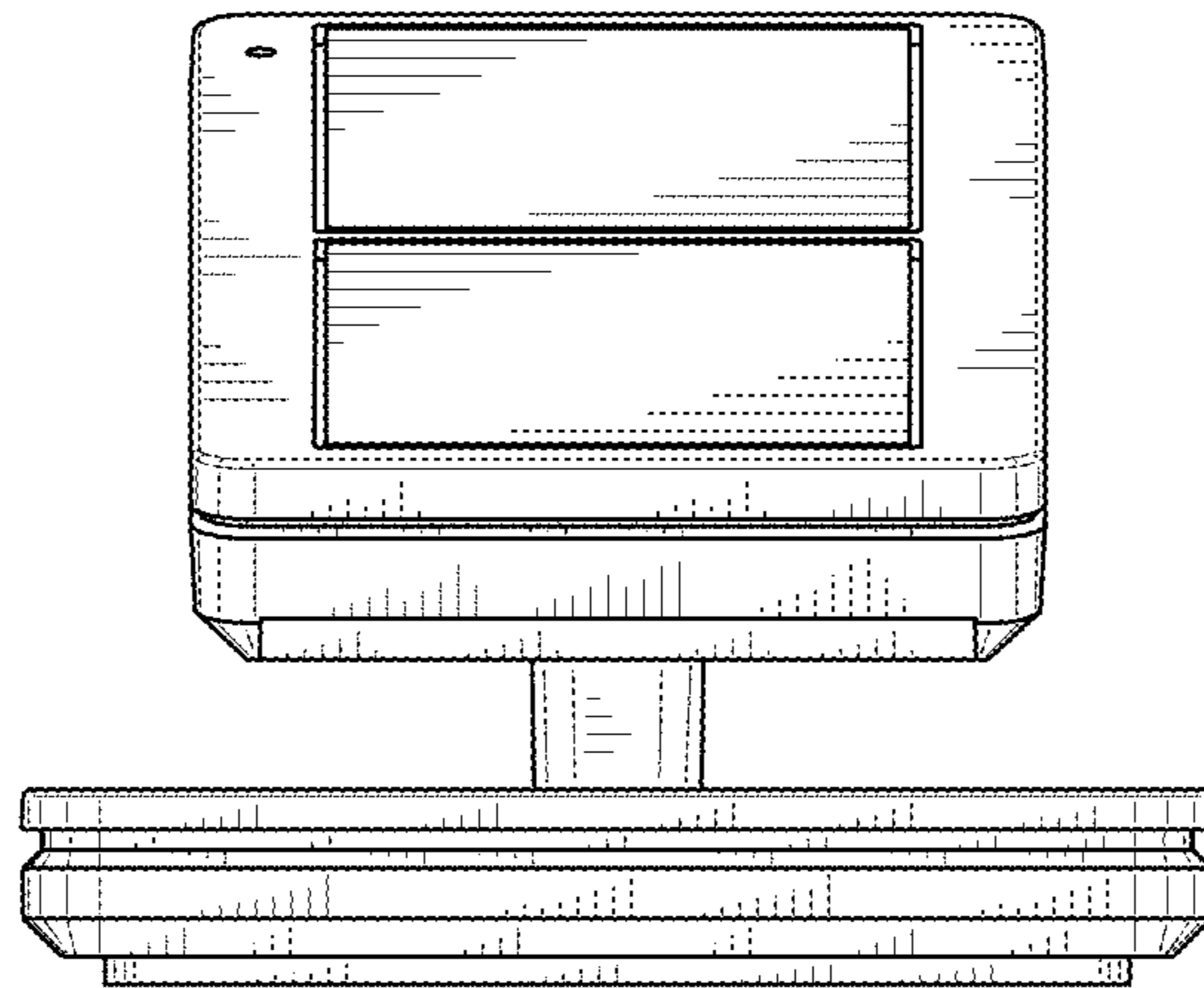


Fig. 6

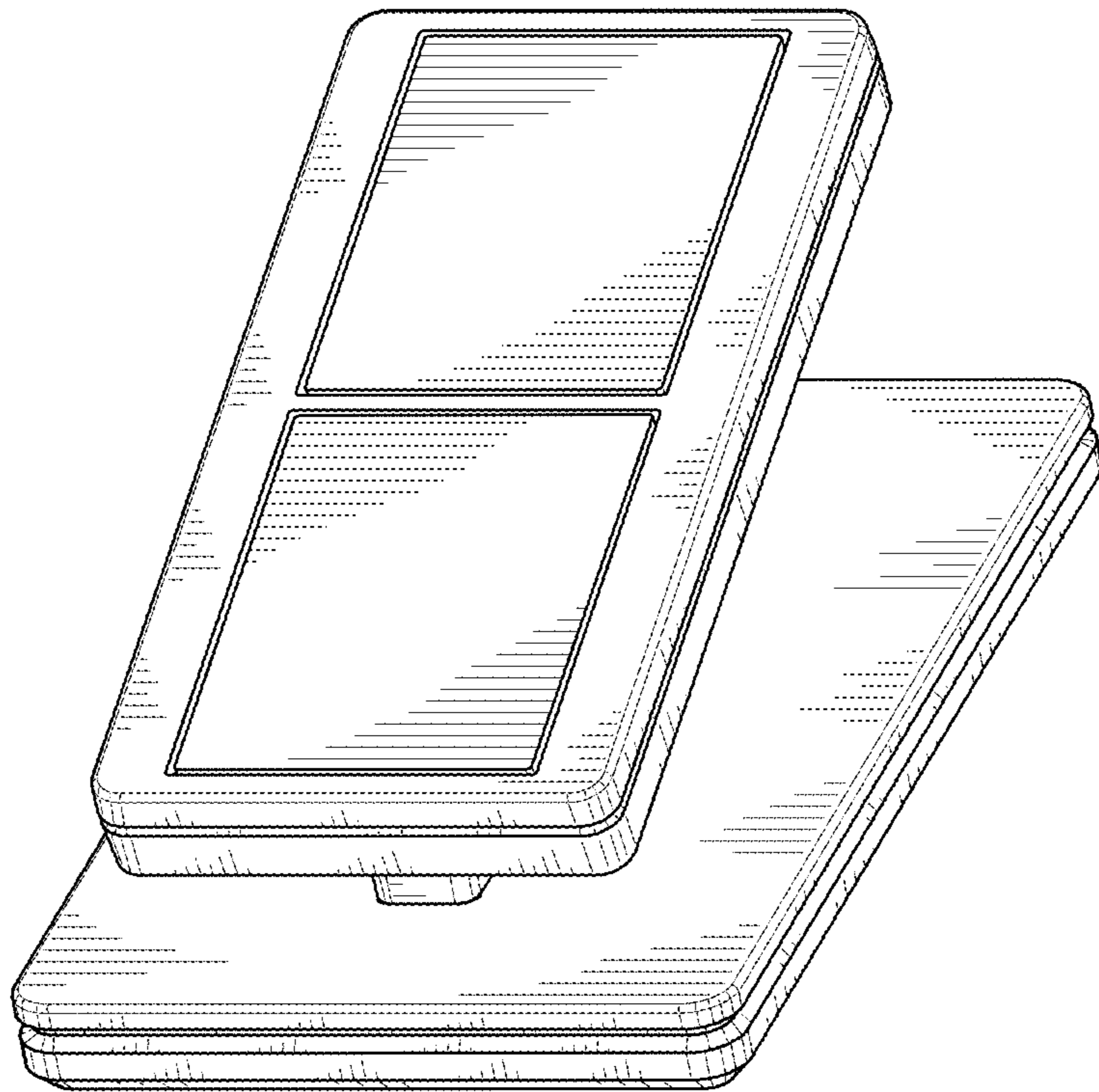


Fig. 7

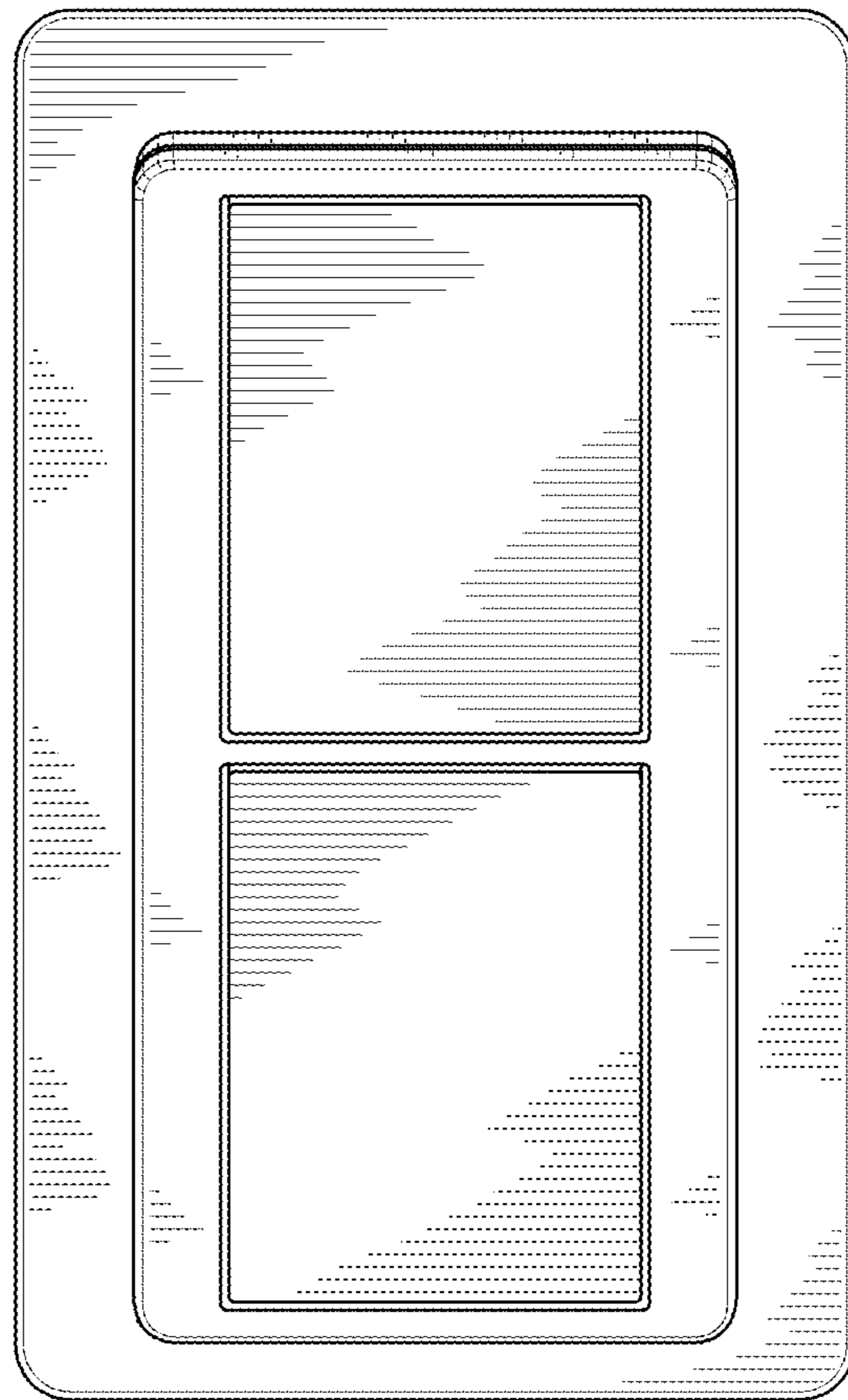


Fig. 8

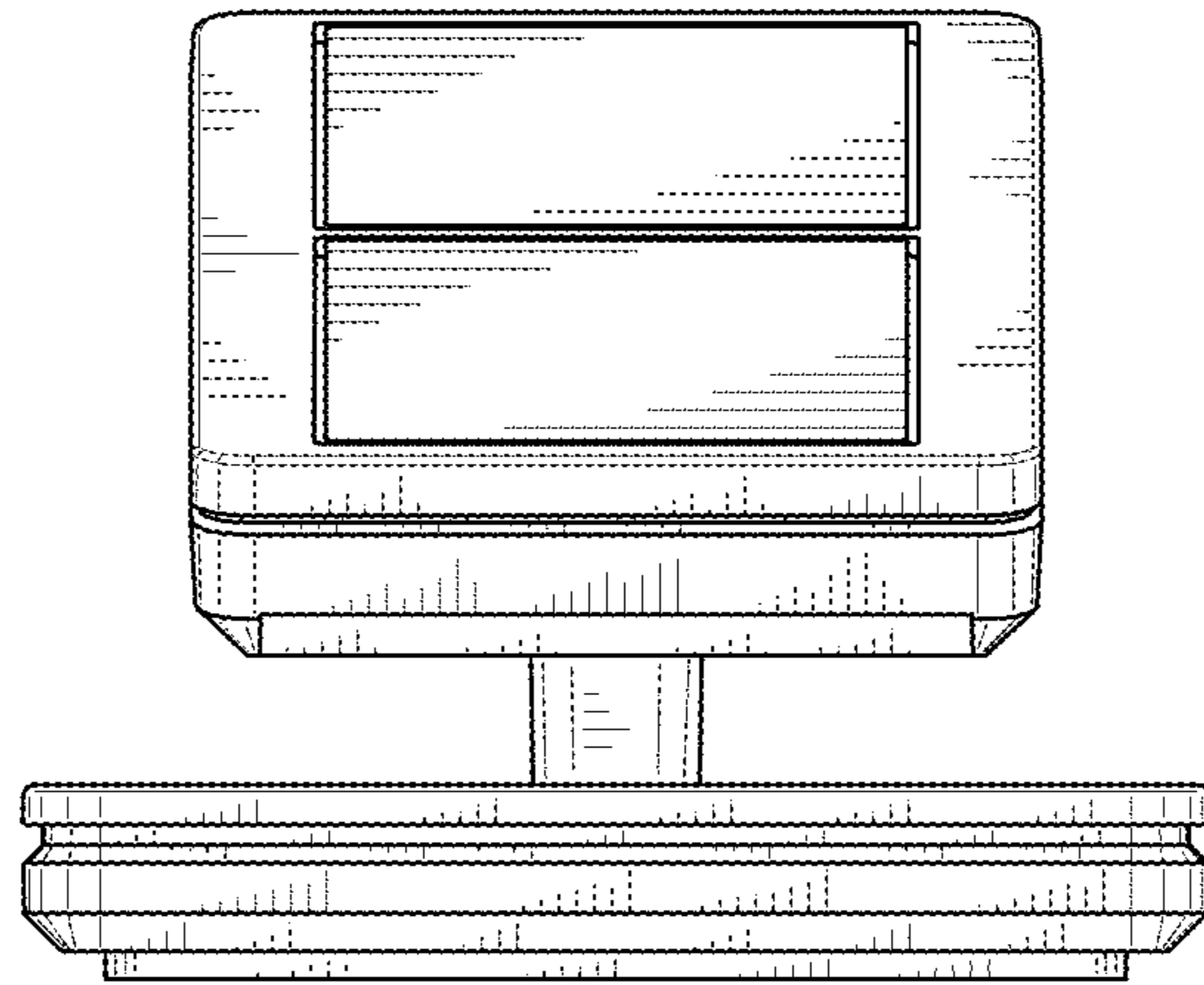


Fig. 9