

US00D694195S

(12) **United States Design Patent**
Gammon et al.

(10) **Patent No.:** **US D694,195 S**

(45) **Date of Patent:** **** Nov. 26, 2013**

(54) **TOUCH SCREEN CONTROL PANEL**

(75) Inventors: **John Weldon Gammon**, Raleigh, NC
(US); **David Libman**, Dove Canyon, CA
(US); **Jaysun Stockdell-Giesler**,
Morrisville, NC (US)

(73) Assignee: **RGB Systems, Inc.**, Anaheim, CA (US)

(**) Term: **14 Years**

(21) Appl. No.: **29/418,717**

(22) Filed: **Apr. 19, 2012**

(51) **LOC (9) Cl.** **13-03**

(52) **U.S. Cl.**
USPC **D13/162**

(58) **Field of Classification Search**
USPC D13/162, 164; D10/49, 50; D14/126,
D14/336, 371, 374, 389; D6/300, 308;
345/173; 348/184, 325, 739;
178/18.01, 18.03, 18.06, 18.11;
361/679.21; 362/85, 561; 700/17, 83;
715/700, 810

See application file for complete search history.

(56) **References Cited**

U.S. PATENT DOCUMENTS

5,579,036	A *	11/1996	Yates, IV	345/173
5,923,319	A *	7/1999	Bishop et al.	345/175
D424,068	S *	5/2000	Takemasa	D14/374
D478,051	S *	8/2003	Sagawa	D13/168
6,677,934	B1 *	1/2004	Blanchard	345/175
6,900,795	B1 *	5/2005	Knight et al.	345/173
D520,003	S *	5/2006	Rinna et al.	D14/374
D540,280	S *	4/2007	Yeo	D14/126
D558,152	S *	12/2007	Tatsuyama et al.	D13/162
D560,371	S *	1/2008	Liu et al.	D6/308
D566,661	S *	4/2008	Ludwig et al.	D13/162

D568,257	S *	5/2008	Tatsuyama et al.	D13/162
D582,862	S *	12/2008	Landerholm et al.	D13/162
D623,606	S *	9/2010	Nakai et al.	D13/168
D625,928	S *	10/2010	Lee et al.	D6/308
D628,199	S *	11/2010	Yukikado et al.	D14/374
D645,430	S *	9/2011	Shih	D14/126
D662,093	S *	6/2012	Libman et al.	D14/336
D669,076	S *	10/2012	Haller	D14/374
D671,939	S *	12/2012	Chung	D14/374
D680,087	S *	4/2013	Fujii et al.	D14/126

* cited by examiner

Primary Examiner — Selina Sikder

(74) *Attorney, Agent, or Firm* — The Hecker Law Group,
PLC

(57) **CLAIM**

The ornamental design for a touch screen control panel, as shown and described.

DESCRIPTION

FIG. 1 is a front top perspective view of the touch screen control panel of the present invention.

FIG. 2 is a front view of the touch screen control panel of the present invention.

FIG. 3 is a rear top perspective view of the touch screen control panel of the present invention.

FIG. 4 is a rear view of the of the touch screen control panel of the present invention.

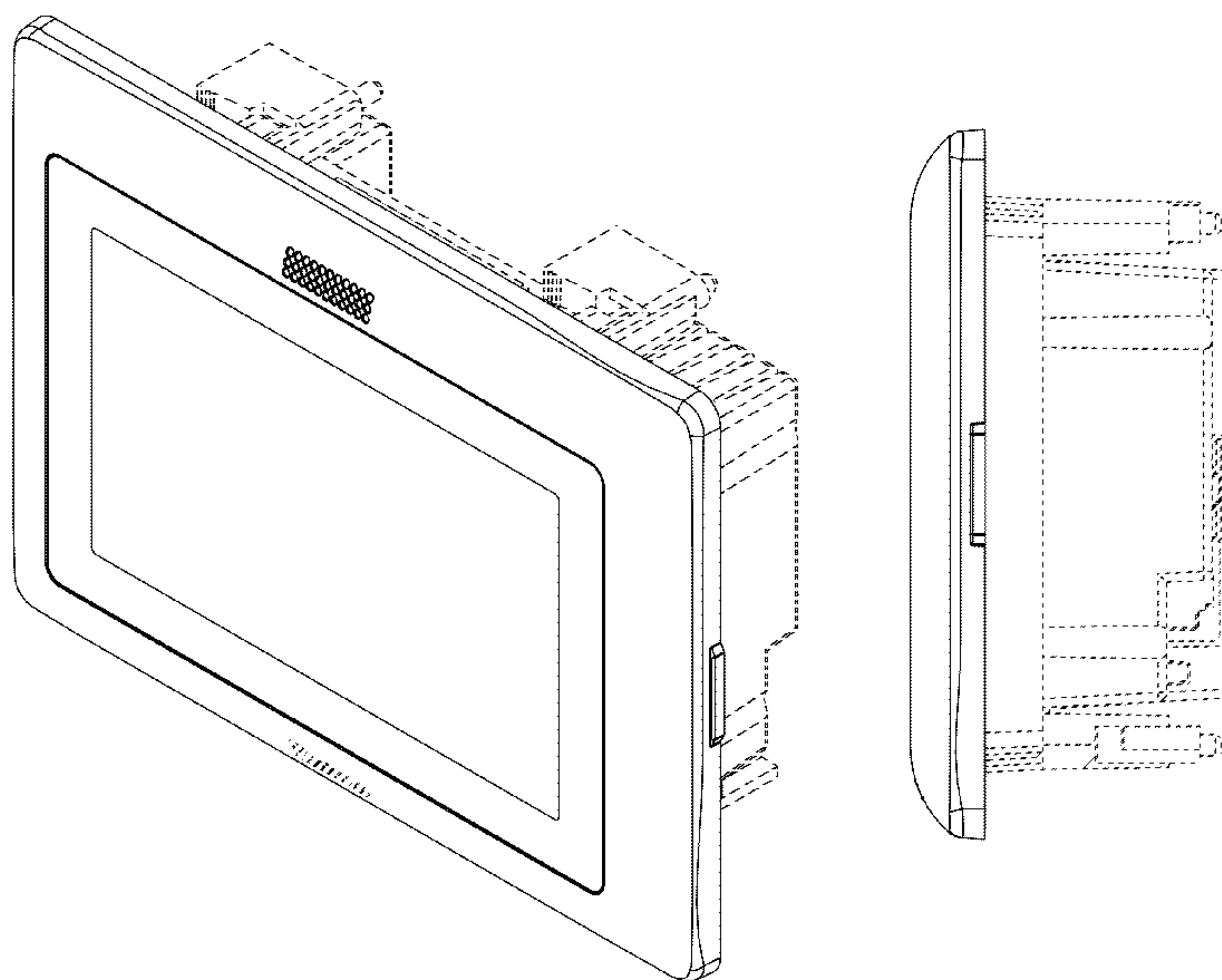
FIG. 5 is a left side view o of the touch screen control panel of the present invention.

FIG. 6 is a right side view of the touch screen control panel of the present invention; and,

FIG. 7 is a bottom view of the touch screen control panel of the present invention.

The broken line showing of structural features is included for the purpose of illustrating non-claimed subject matter and forms no part of the claimed design.

1 Claim, 7 Drawing Sheets



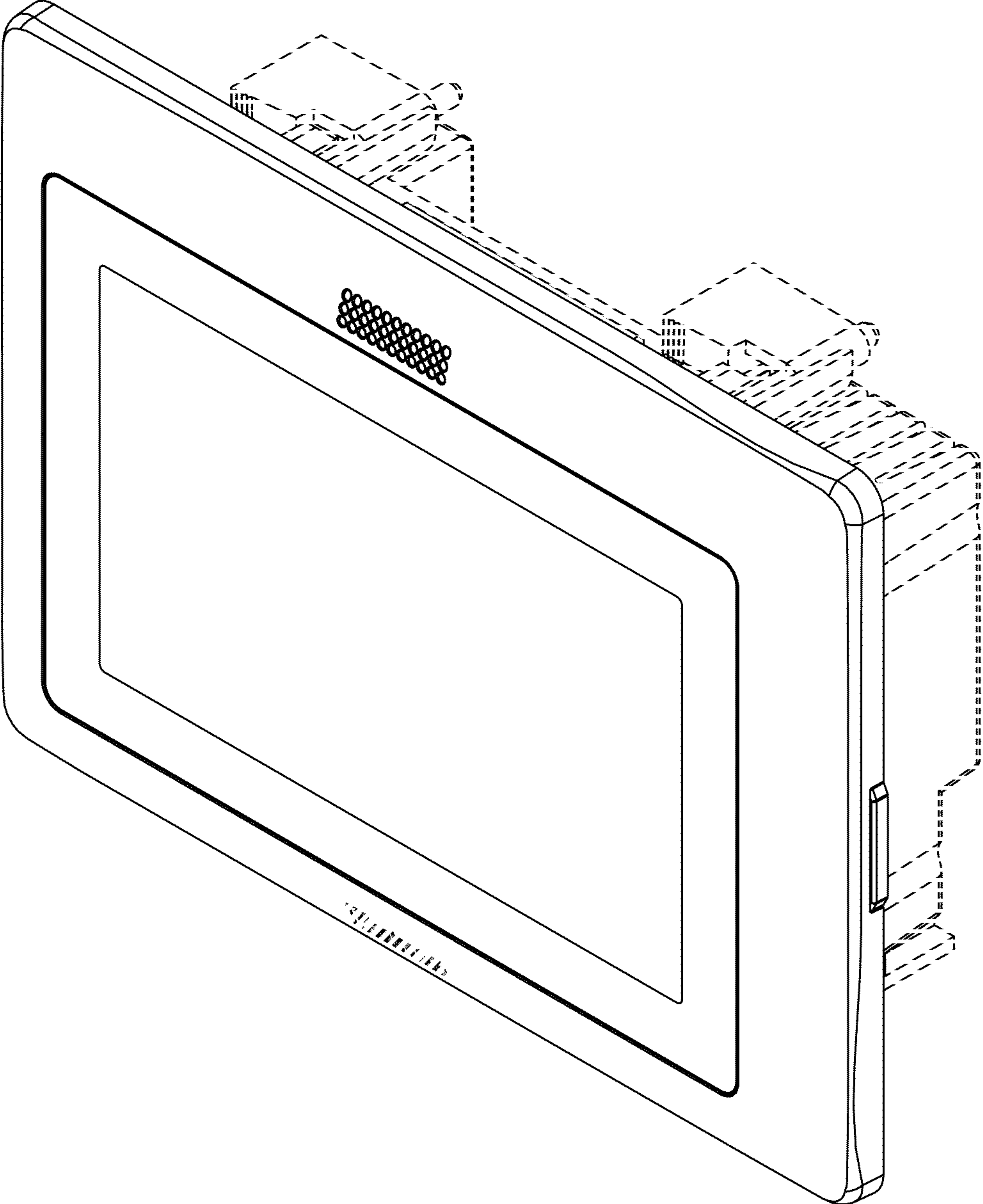


FIG. 1

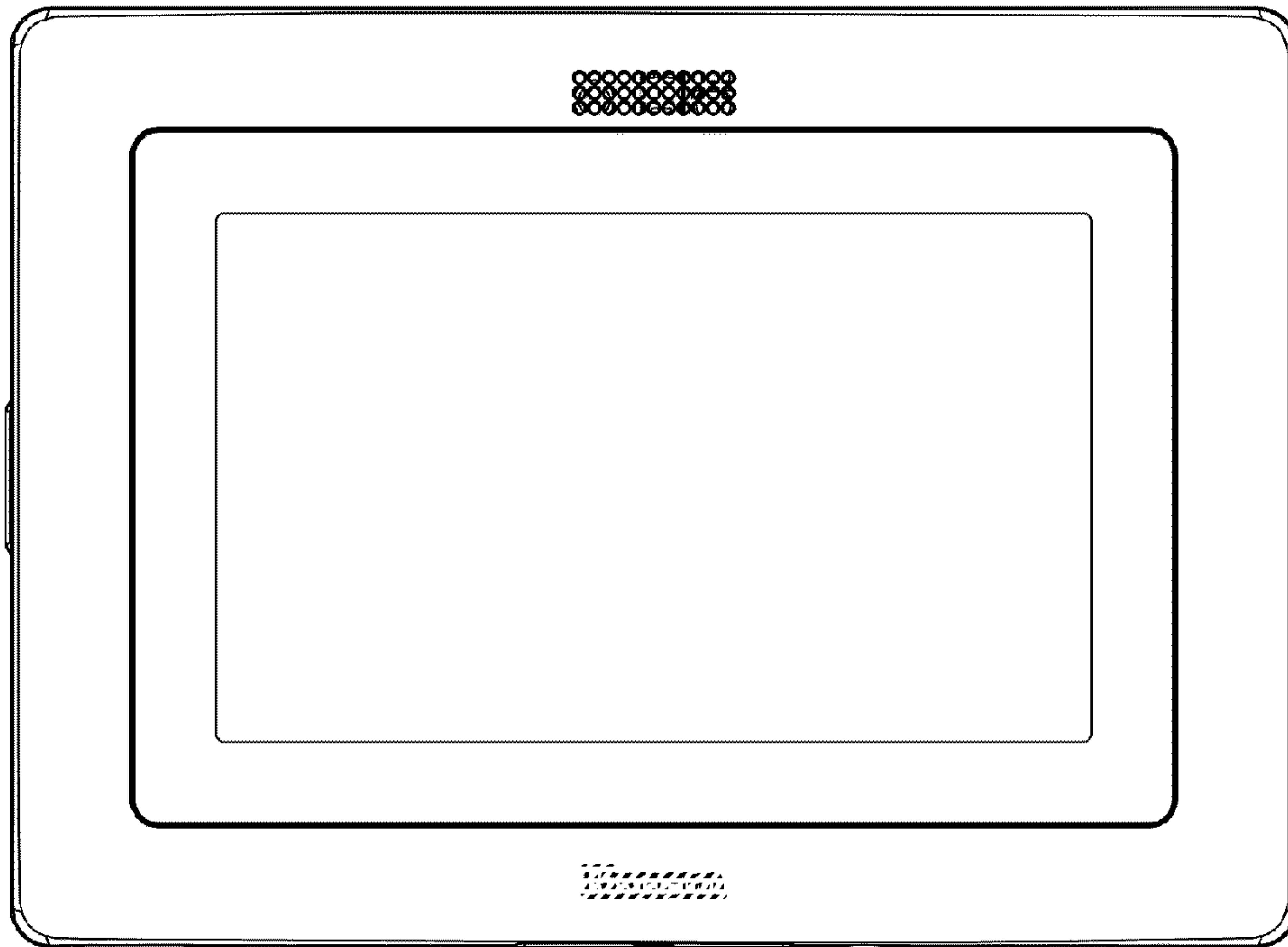


FIG. 2

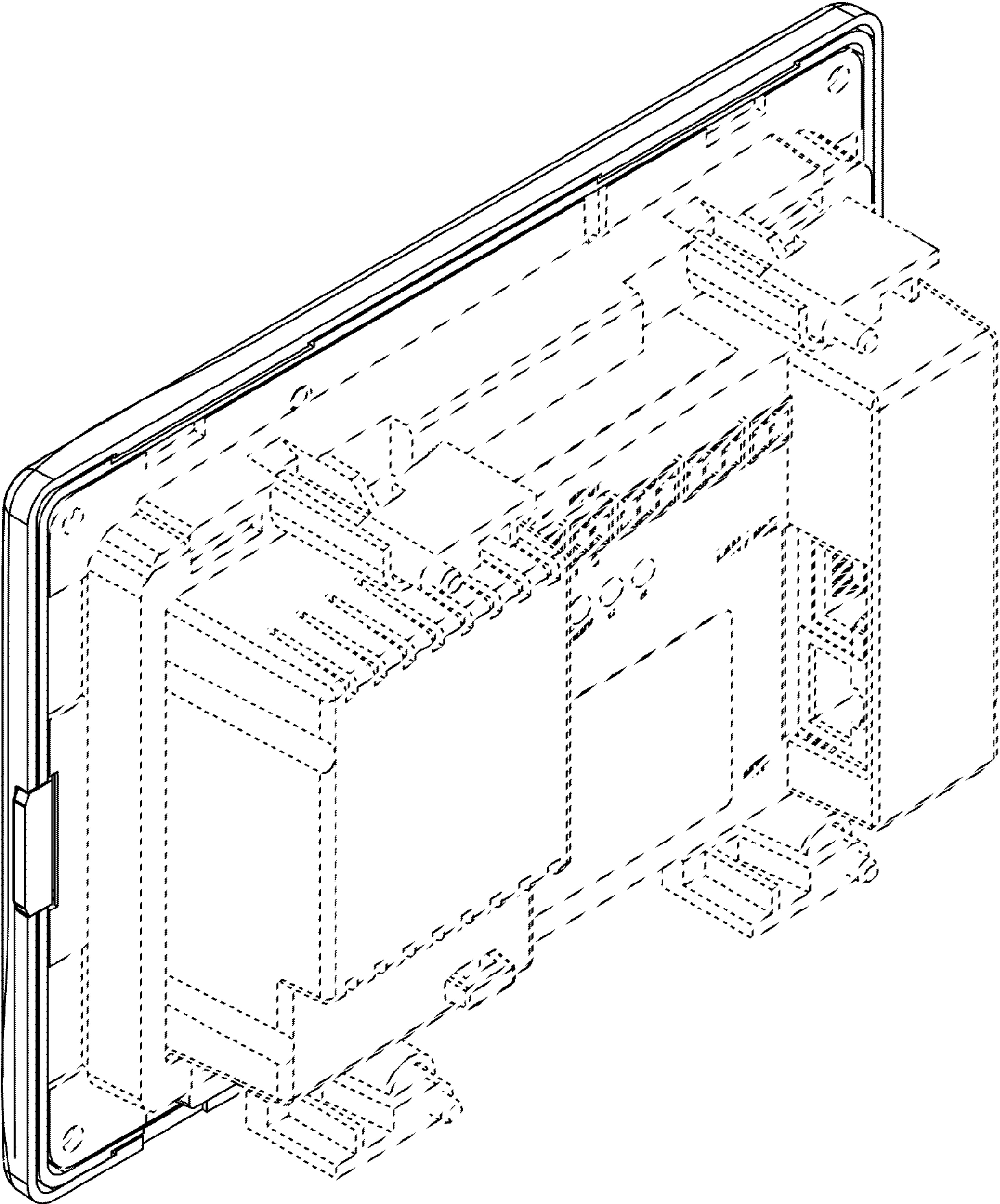


FIG. 3

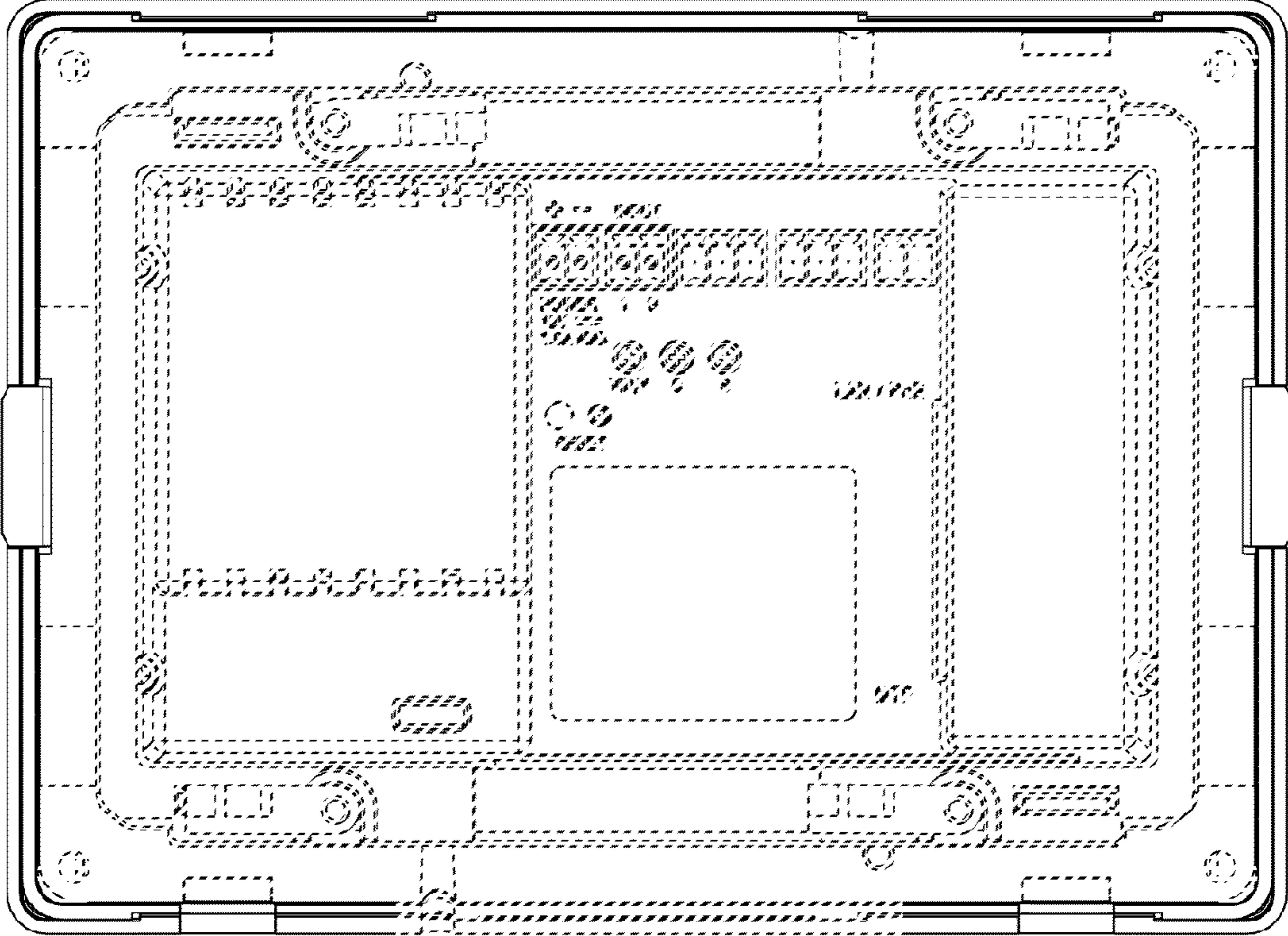


FIG. 4

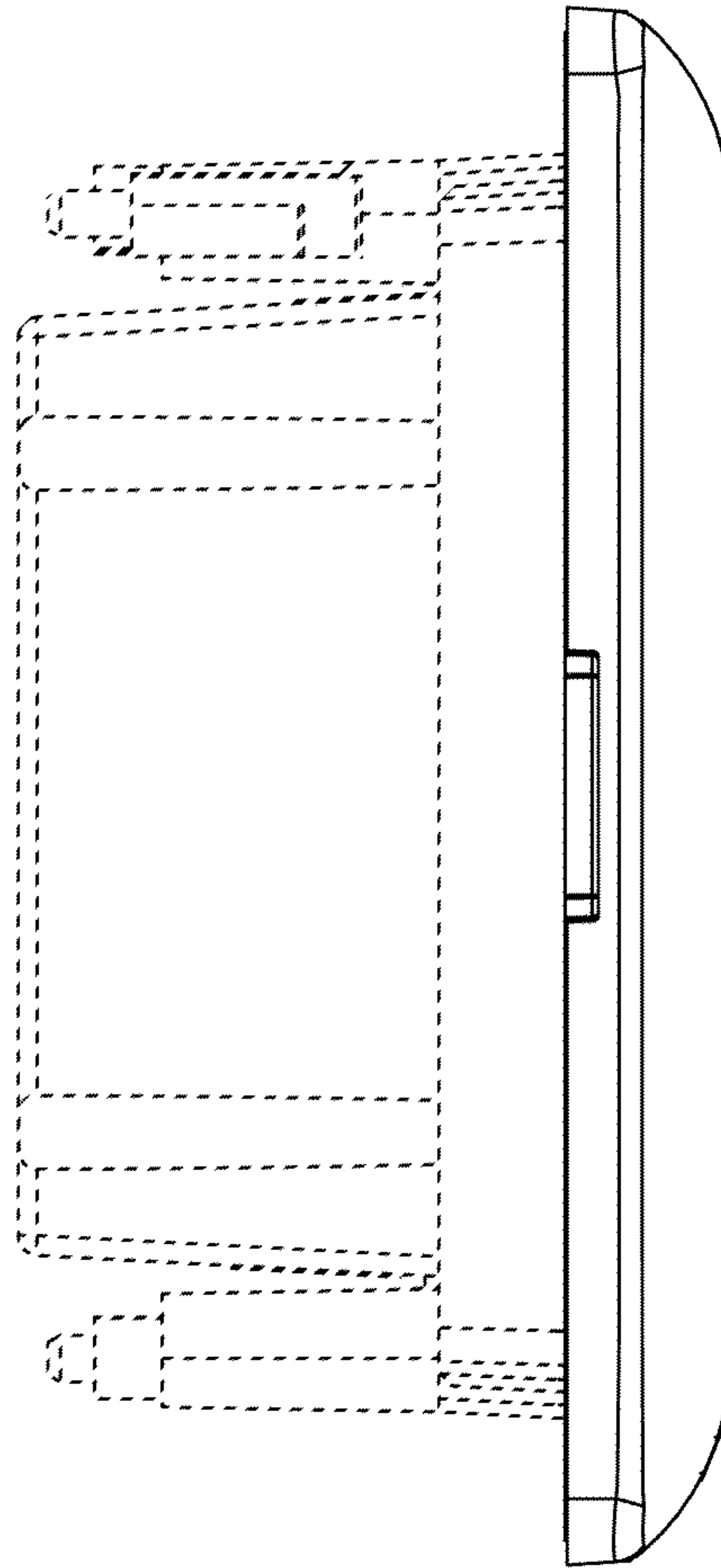


FIG. 5

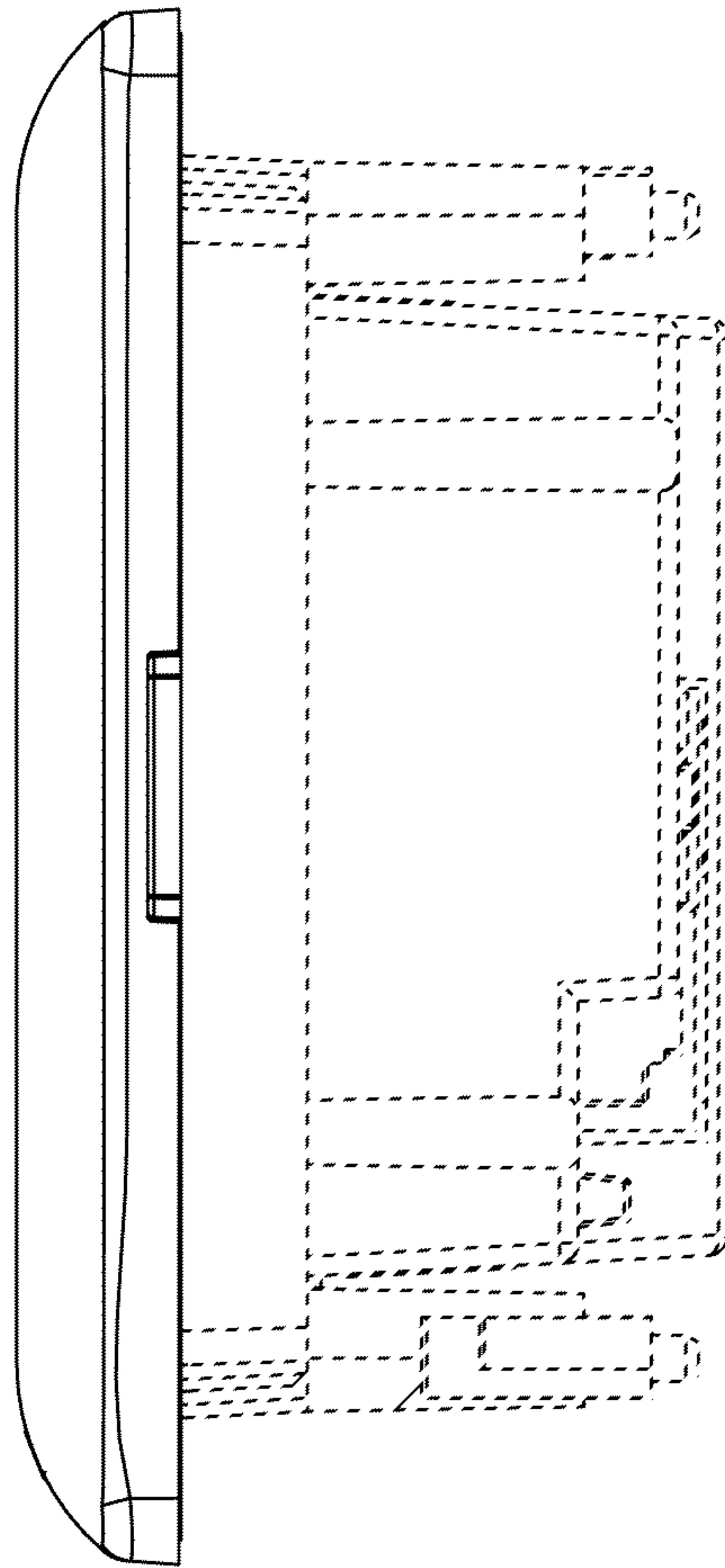


FIG. 6

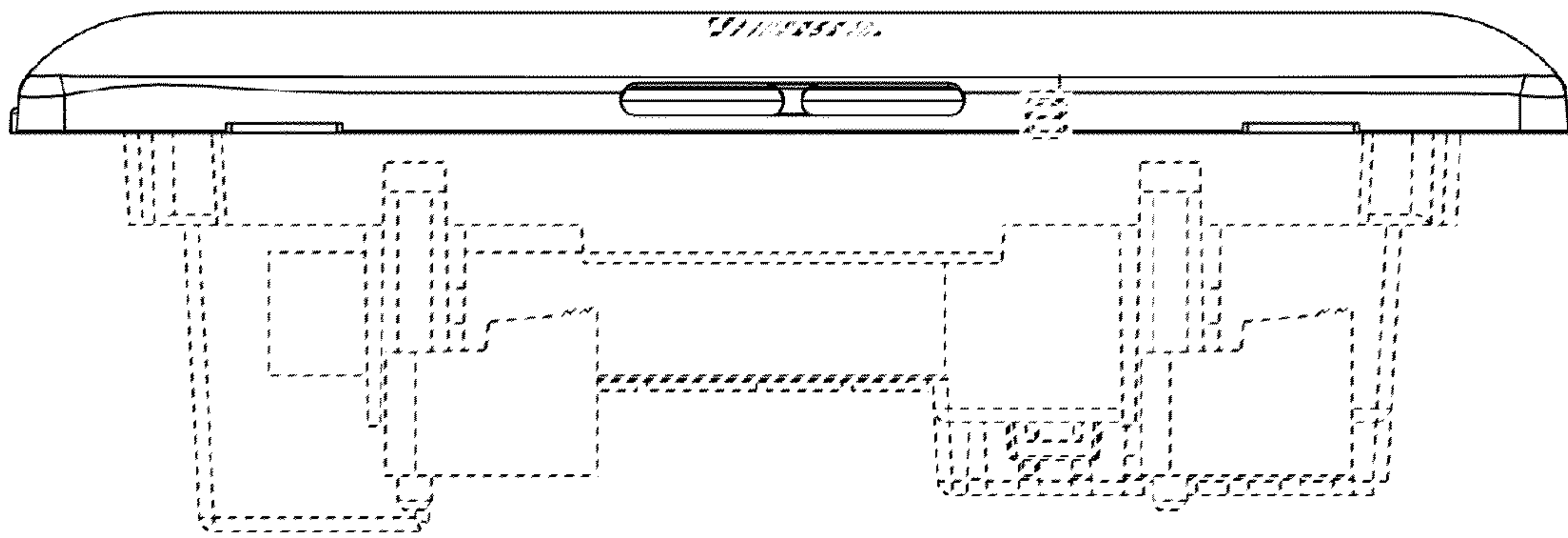


FIG. 7