

US00D694194S

(12) **United States Design Patent**
Takahashi et al.

(10) **Patent No.:** **US D694,194 S**

(45) **Date of Patent:** **** Nov. 26, 2013**

(54) **SWITCH MODULE FOR LIMIT SWITCH**

(75) Inventors: **Manabu Takahashi**, Kyoto (JP);
Kazuyuki Tsukimori, Kyoto (JP);
Shigenobu Fukui, Kyoto (JP); **Yuichi**
Ishikawa, Kyoto (JP); **Hiroyuki**
Moriyama, Kyoto (JP); **Shinya**
Katsube, Kyoto (JP)

(73) Assignee: **Omron Corporation**, Kyoto (JP)

(**) Term: **14 Years**

(21) Appl. No.: **29/408,233**

(22) Filed: **Dec. 8, 2011**

(30) **Foreign Application Priority Data**

Jun. 10, 2011 (JP) 2011-013161
Jun. 10, 2011 (JP) 2011-013162

(51) **LOC (9) Cl.** **13-03**

(52) **U.S. Cl.**
USPC **D13/162; D13/158**

(58) **Field of Classification Search**
USPC D13/158, 162, 171; 74/559; 200/47,
200/51.11, 330; 250/208.4, 214 SW
See application file for complete search history.

(56) **References Cited**

U.S. PATENT DOCUMENTS

3,555,215 A * 1/1971 Dehn 200/47
3,745,289 A * 7/1973 Hipple 200/330
4,065,669 A * 12/1977 Bogel 250/229
4,342,885 A * 8/1982 Kashima et al. 200/47
5,298,700 A * 3/1994 Champagne et al. 200/19.2
5,486,661 A * 1/1996 Jambor et al. 200/47
6,518,528 B2 * 2/2003 Nickerson et al. 200/447
D537,796 S * 3/2007 Fabrizi D13/171
7,332,683 B2 * 2/2008 Gorman 200/51.11

D574,331 S * 8/2008 Bedggood D13/158
7,557,315 B2 * 7/2009 Chen 200/47
2003/0079972 A1 * 5/2003 Truett 200/47
2007/0199808 A1 * 8/2007 Chen 200/47
2012/0235025 A1 * 9/2012 Tobita et al. 250/208.4

OTHER PUBLICATIONS

Omron Catalog of limit switches (Oct. 2011).

(Continued)

Primary Examiner — Selina Sikder

(74) *Attorney, Agent, or Firm* — Harness, Dickey & Pierce,
P.L.C.

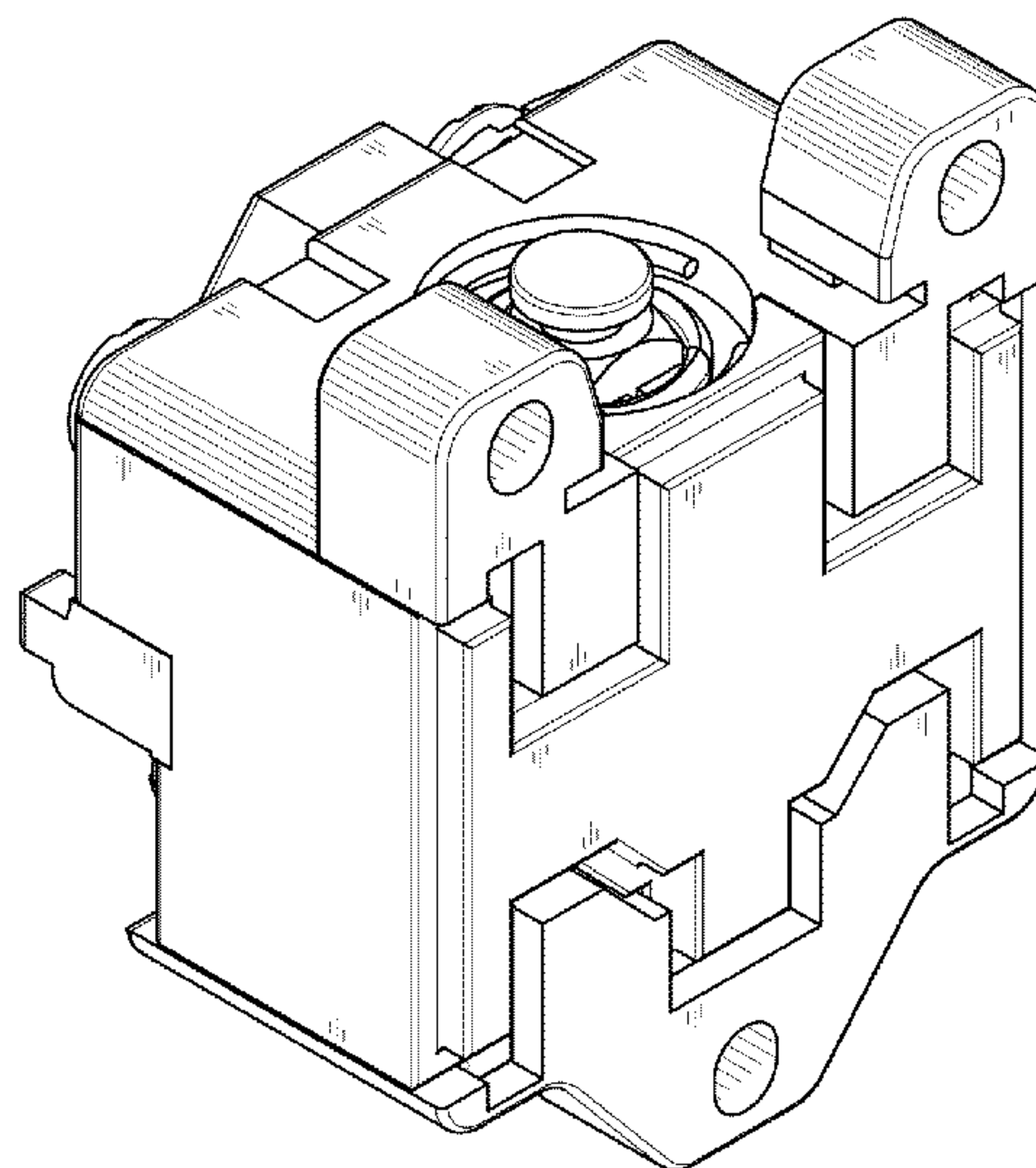
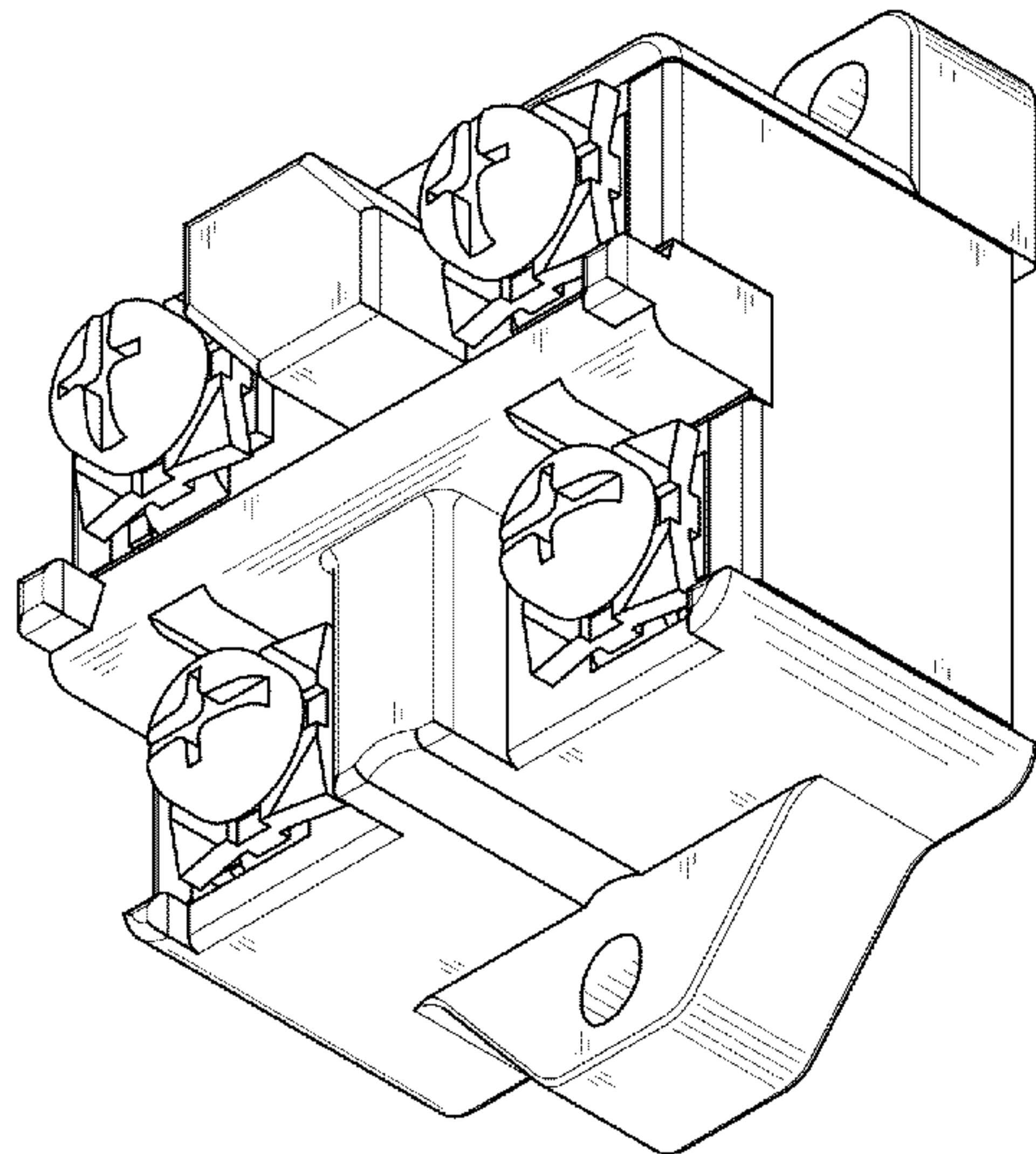
(57) **CLAIM**

The ornamental design for a switch module for limit switch,
as shown and described.

DESCRIPTION

FIG. 1 is a bottom, front and right side perspective view of a
switch module for limit switch showing our new design;
FIG. 2 is a top, rear and right side perspective view thereof;
FIG. 3 is a front elevational view thereof;
FIG. 4 is a rear elevational view thereof;
FIG. 5 is a left side view thereof;
FIG. 6 is a right side view thereof;
FIG. 7 is a top plan view thereof;
FIG. 8 is a bottom plan view thereof;
FIG. 9 is a bottom, front and right side perspective view of
a switch module for limit switch showing a second embodi-
ment of our new design;
FIG. 10 is a top, rear and right side perspective view thereof;
FIG. 11 is a front elevational view thereof;
FIG. 12 is a rear elevational view thereof;
FIG. 13 is a left side view thereof;
FIG. 14 is a right side view thereof;
FIG. 15 is a top plan view thereof; and,
FIG. 16 is a bottom plan view thereof.

1 Claim, 8 Drawing Sheets



(56)

References Cited

OTHER PUBLICATIONS

Azbil catalog of limit switches (published at least as early as Dec. 8, 2011).

Moujen product information of limit switches <http://www.moujenswitch.com/products.php?cPath=596> (published at least as early as Dec. 8, 2011).

* cited by examiner

Fig. 1

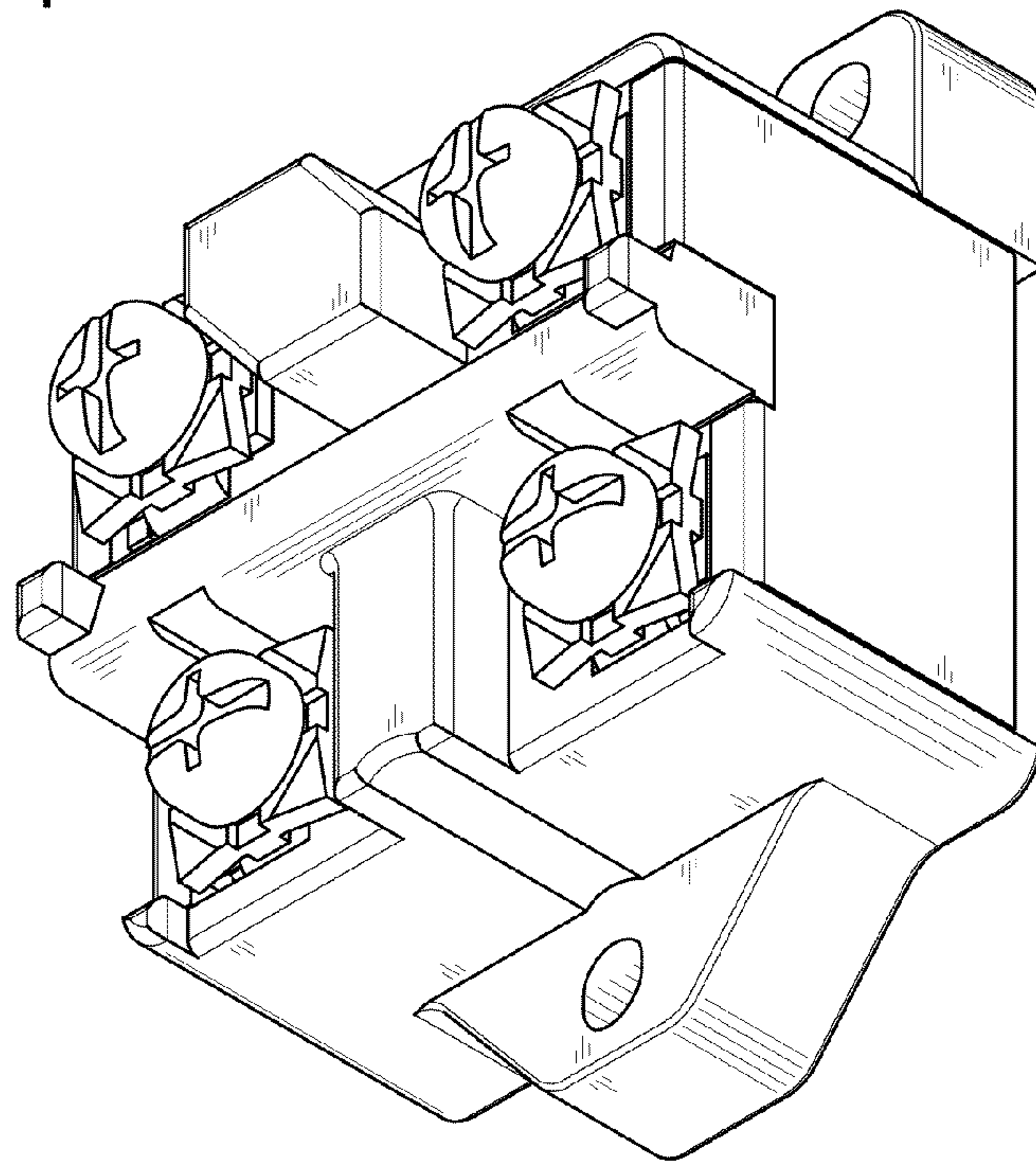


Fig. 2

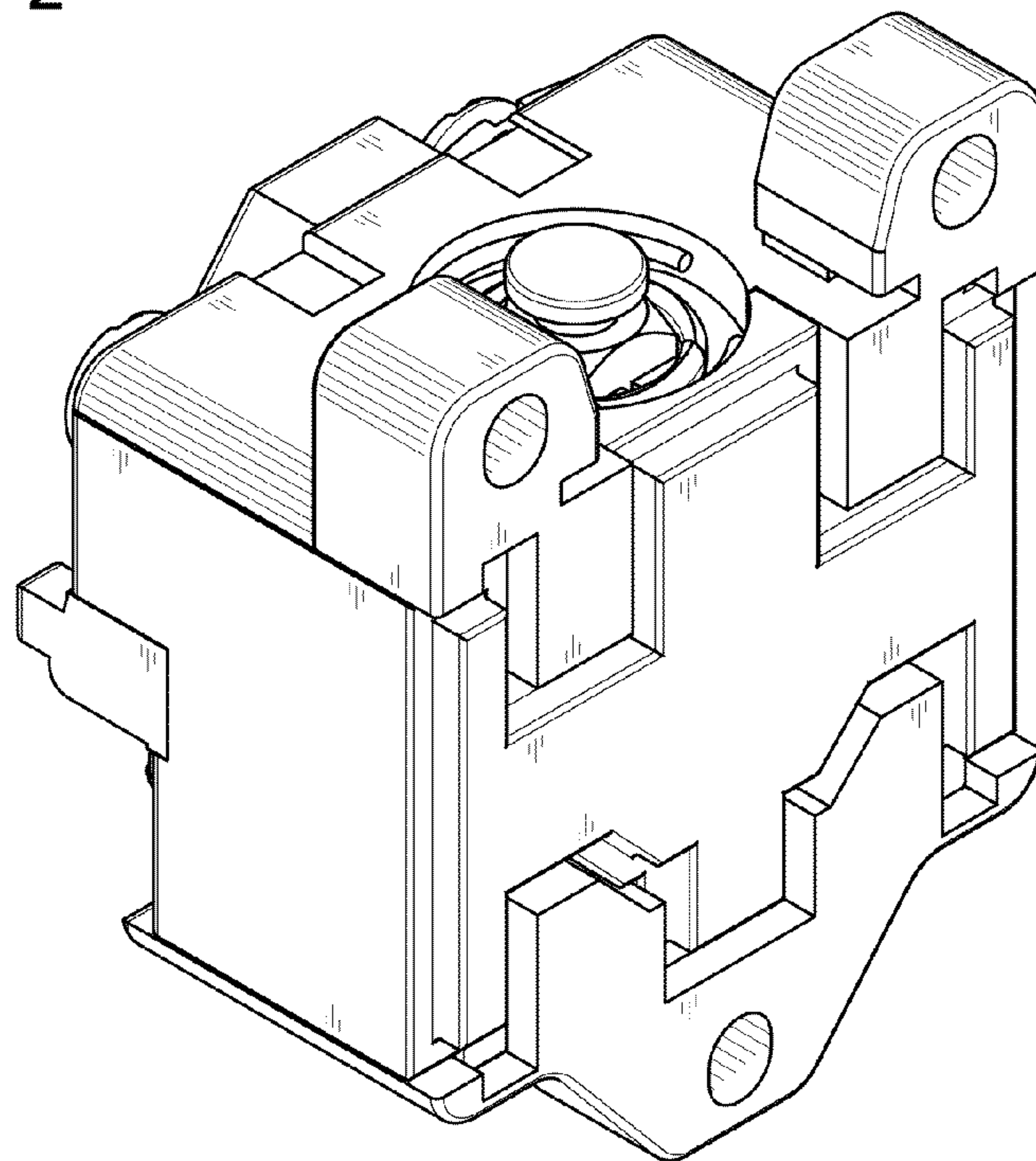


Fig. 3

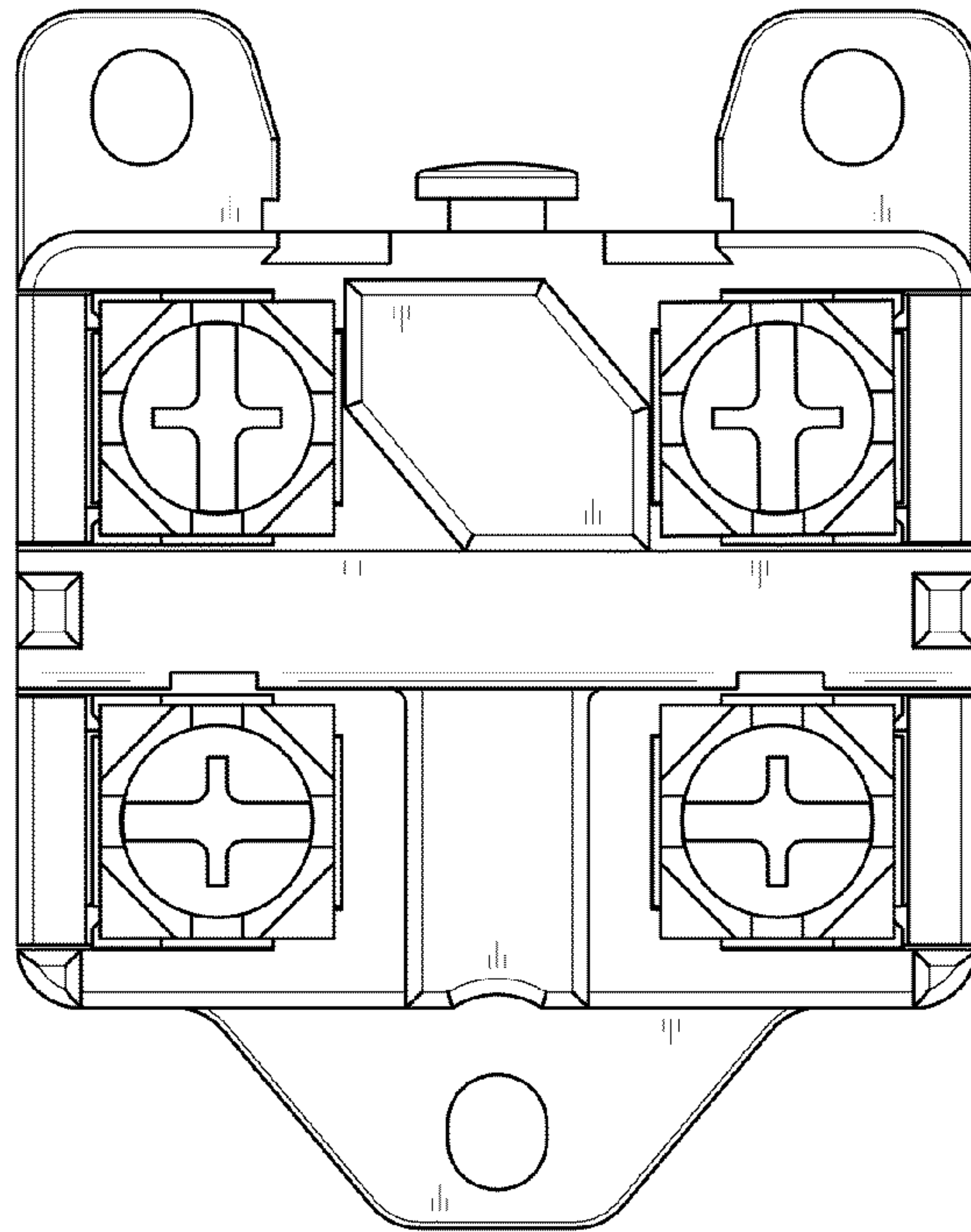


Fig. 4

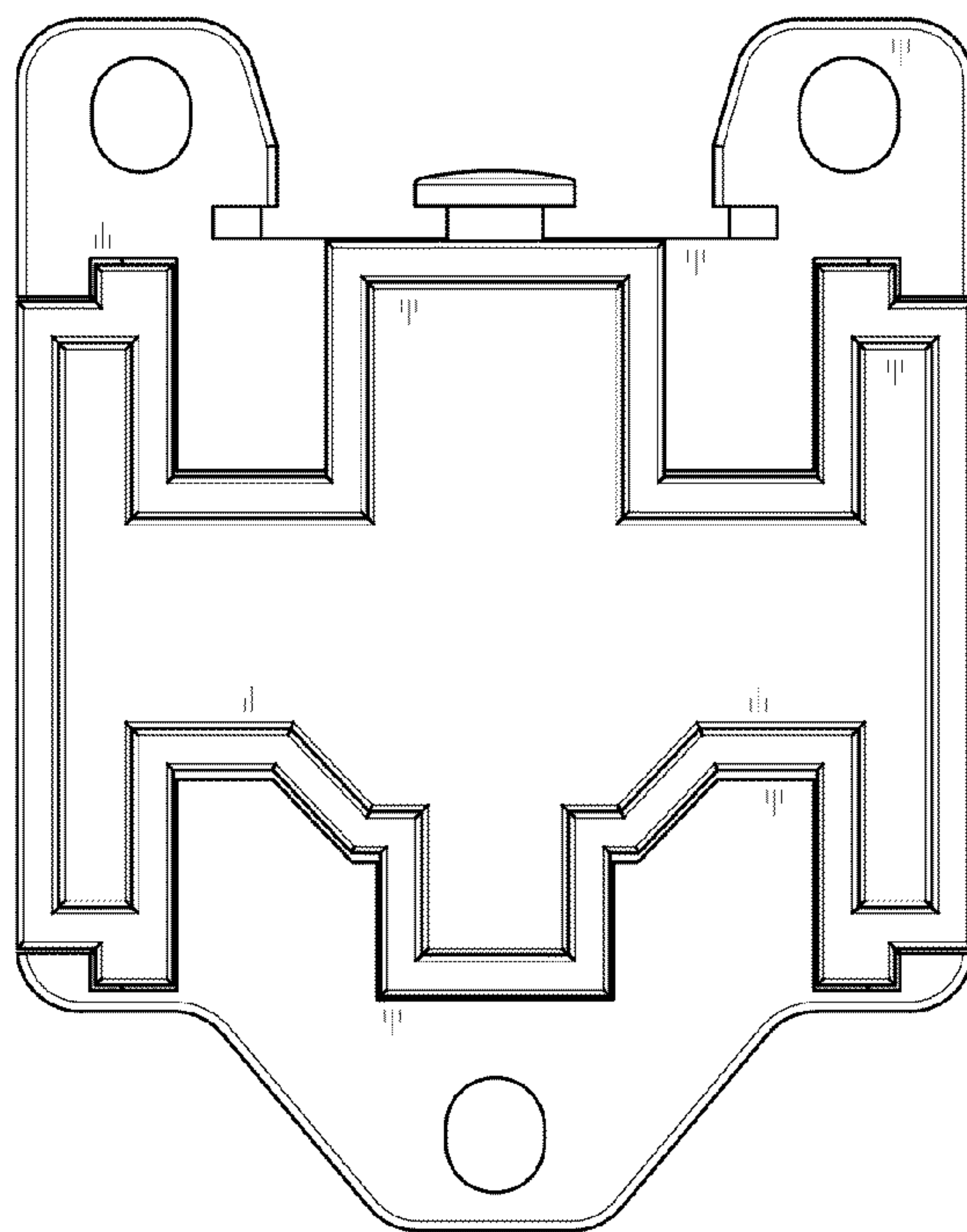


Fig. 5

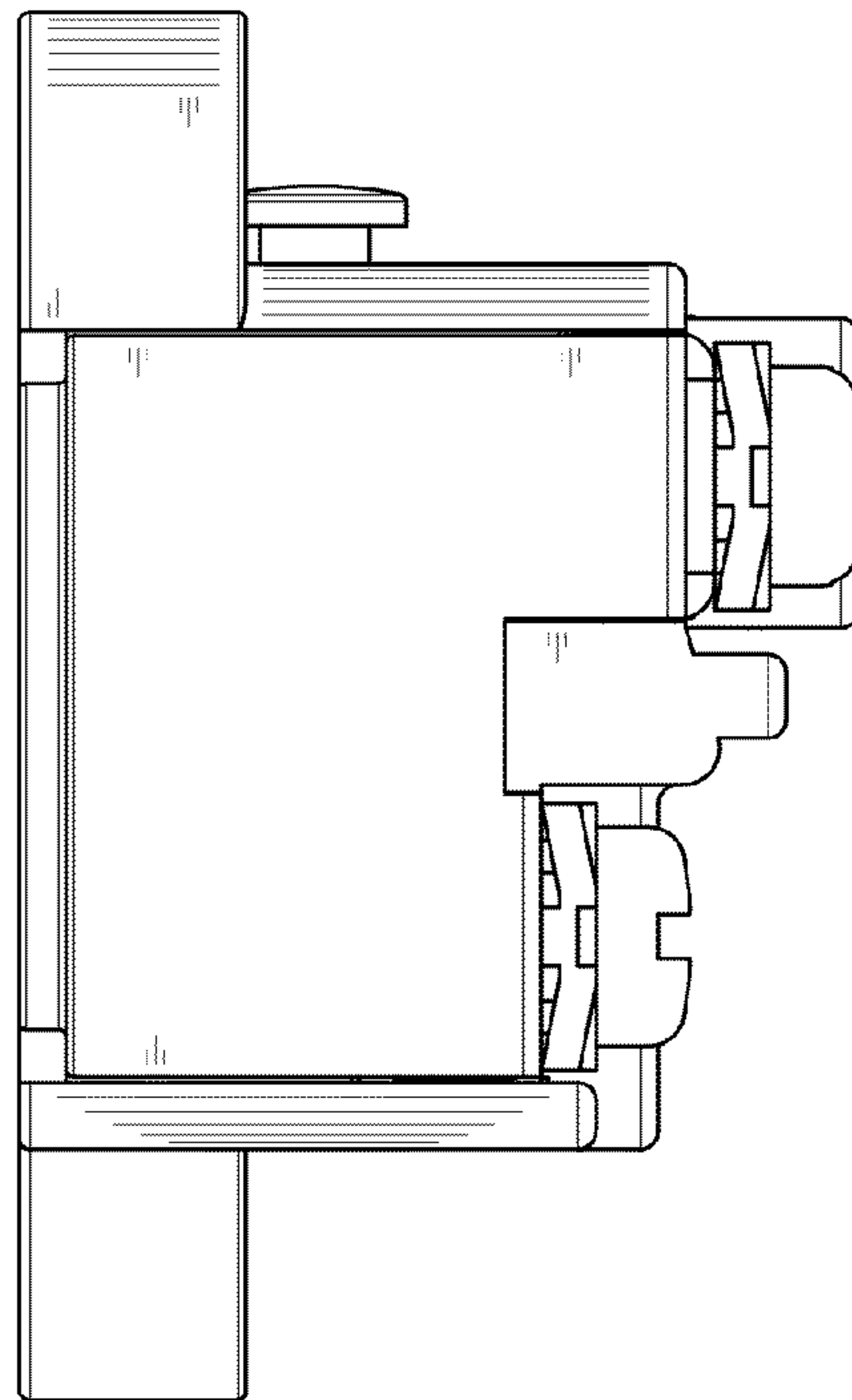


Fig. 6

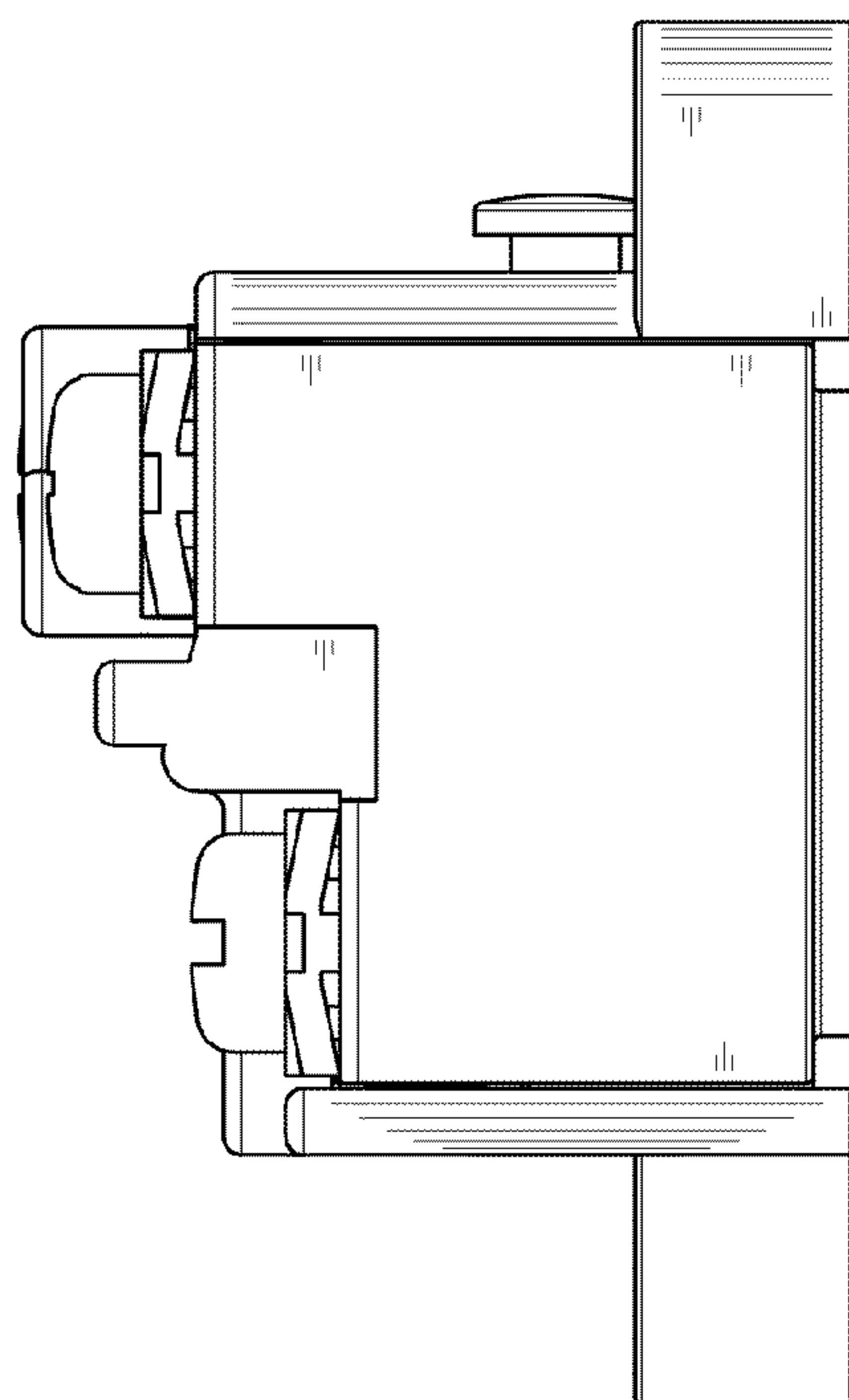


Fig. 7

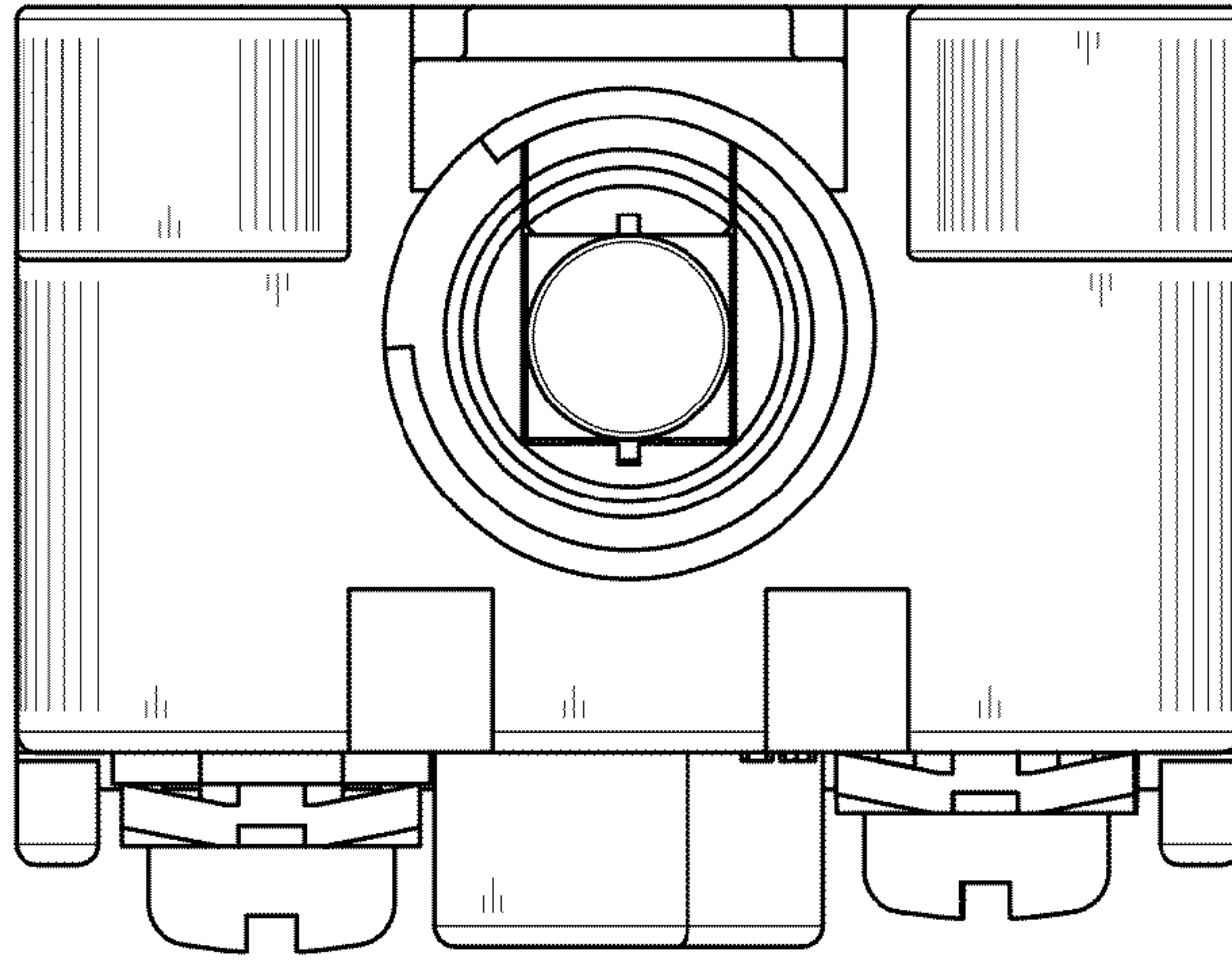


Fig. 8

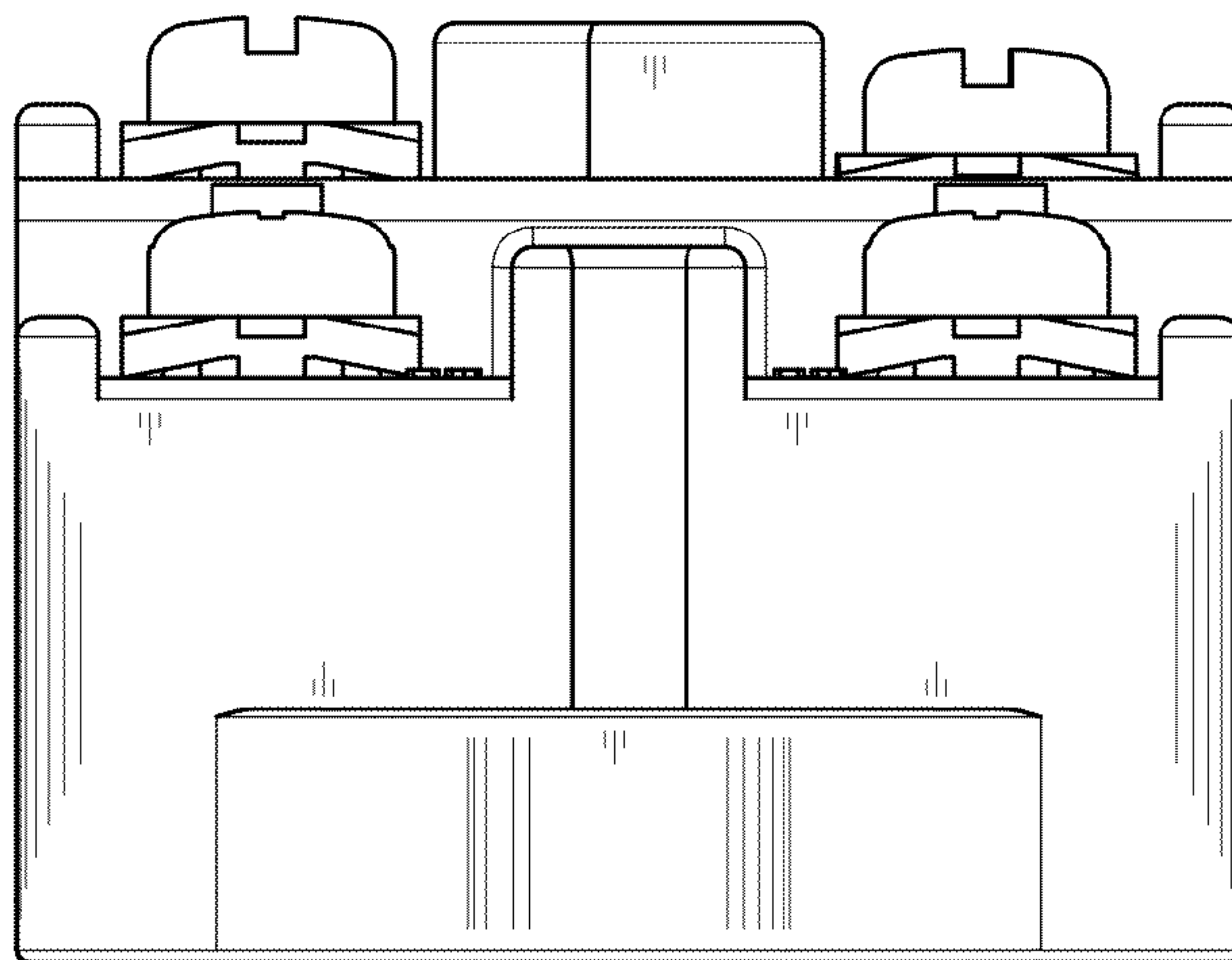


Fig. 9

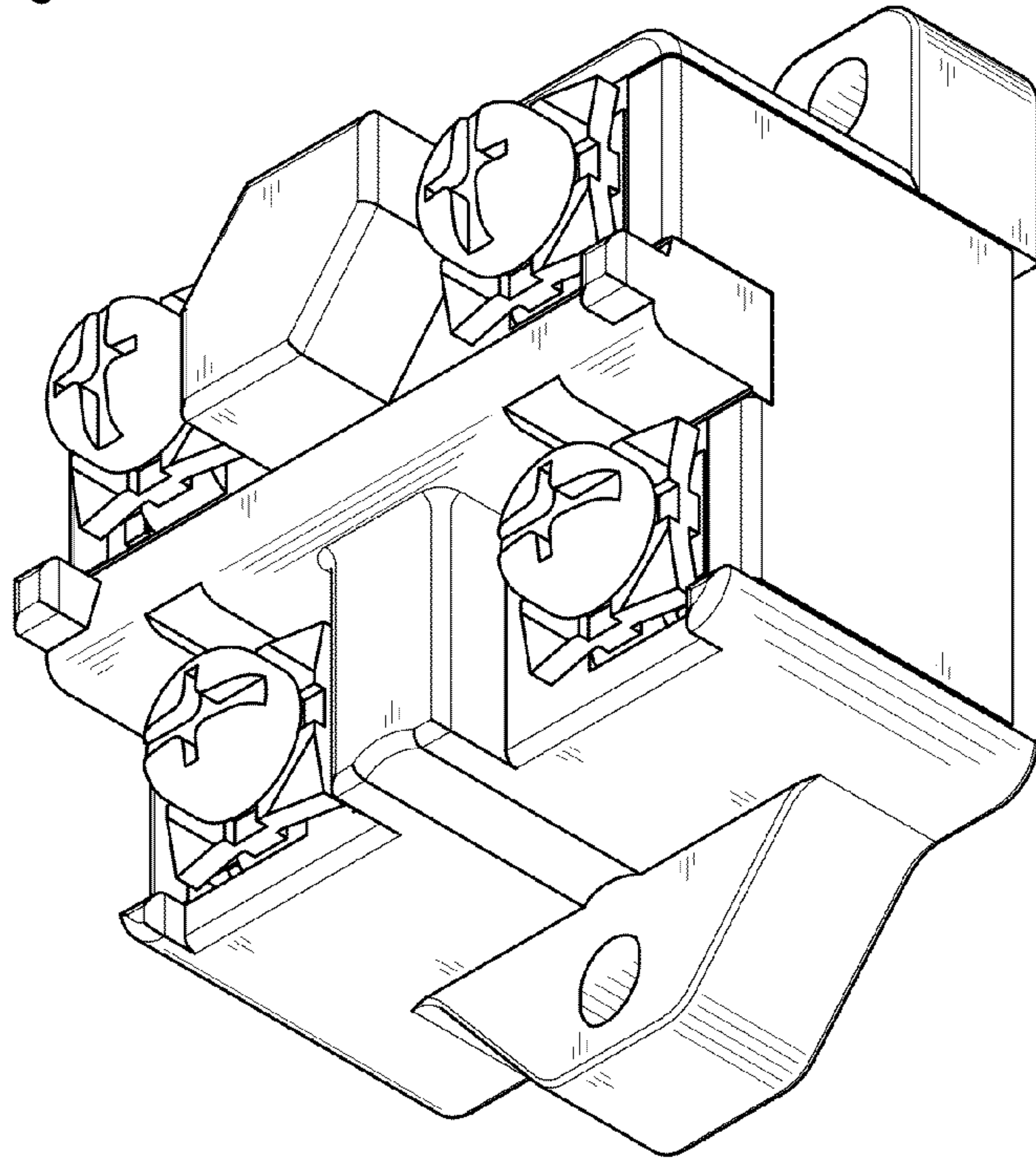


Fig. 10

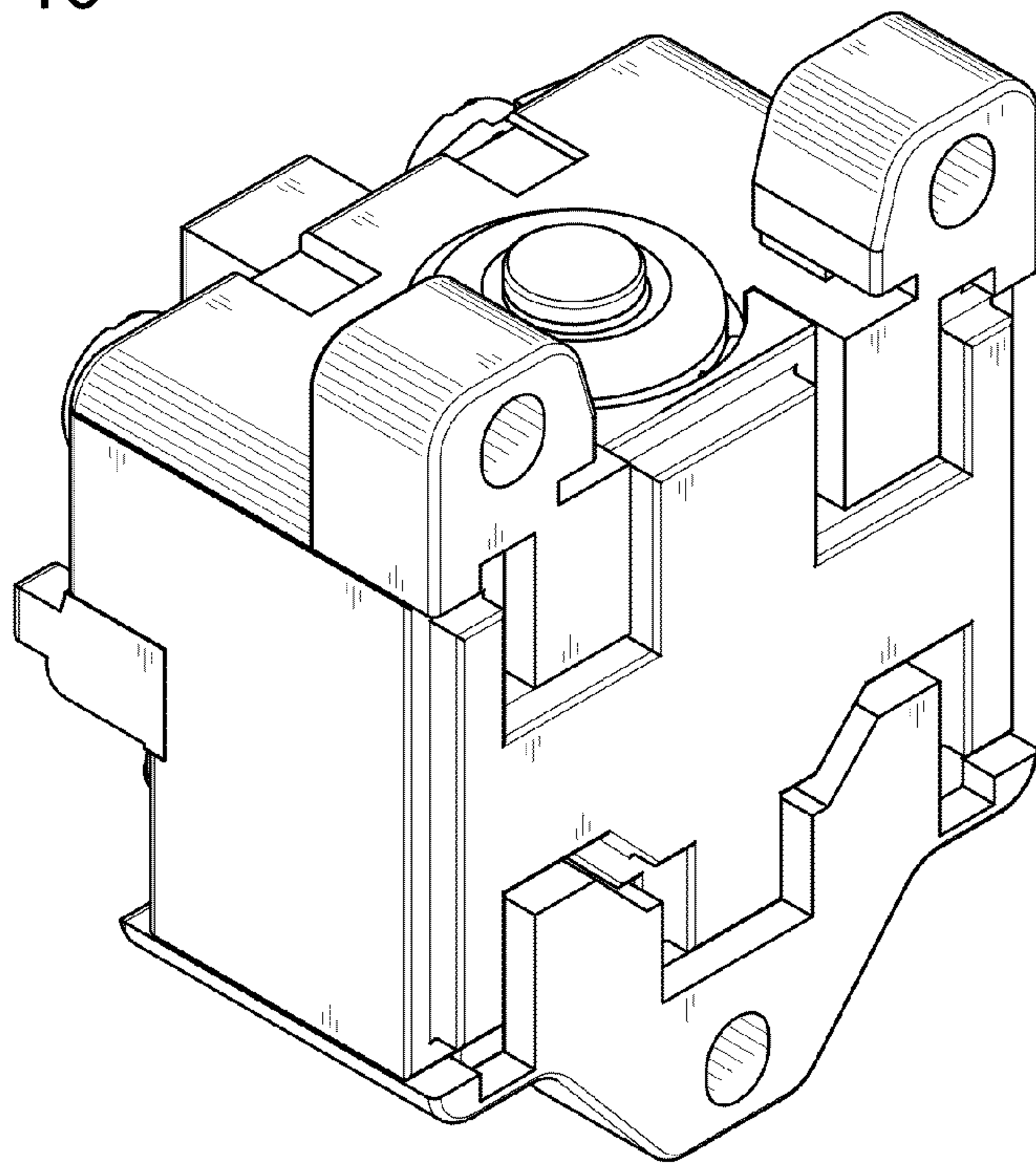


Fig. 11

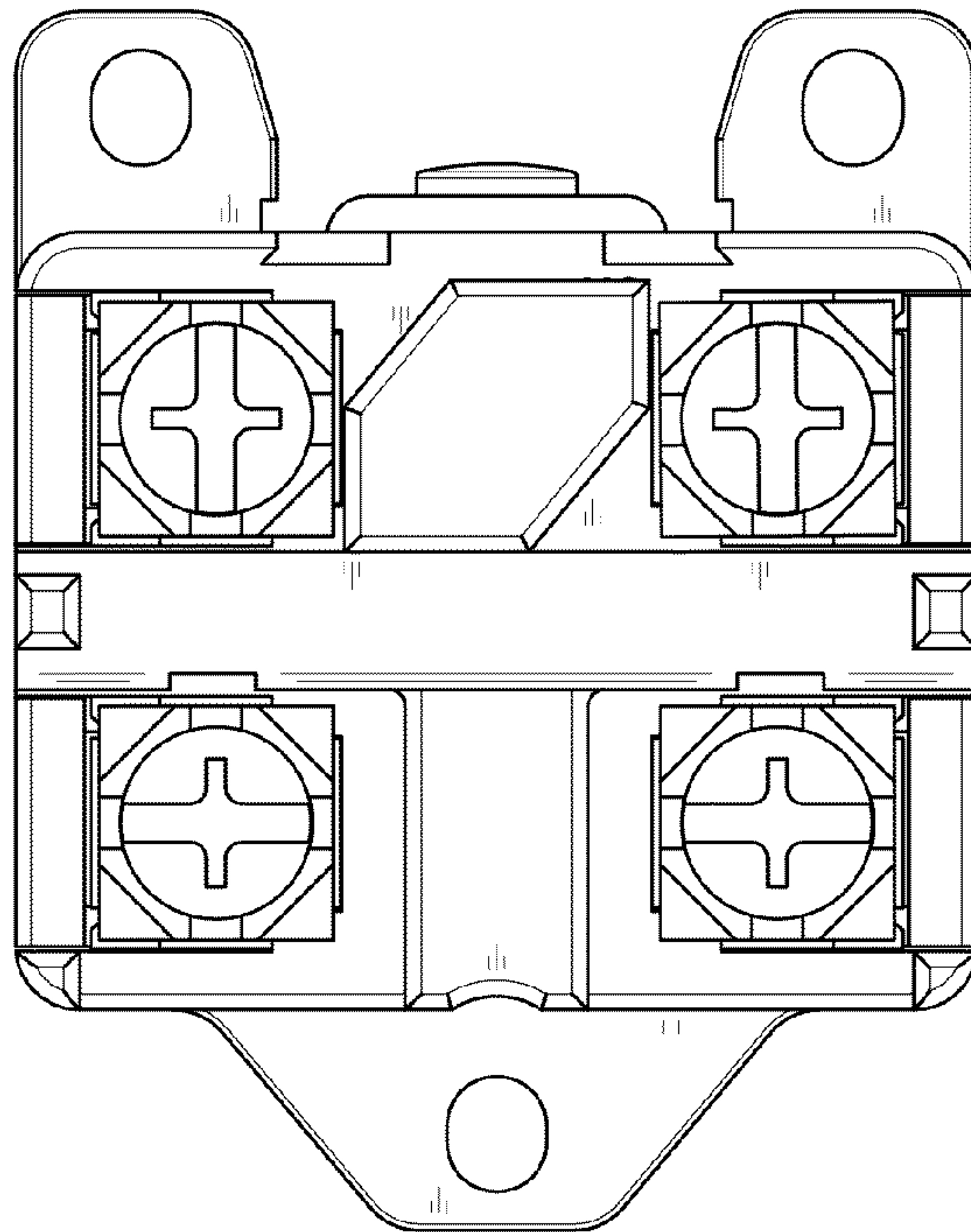


Fig. 12

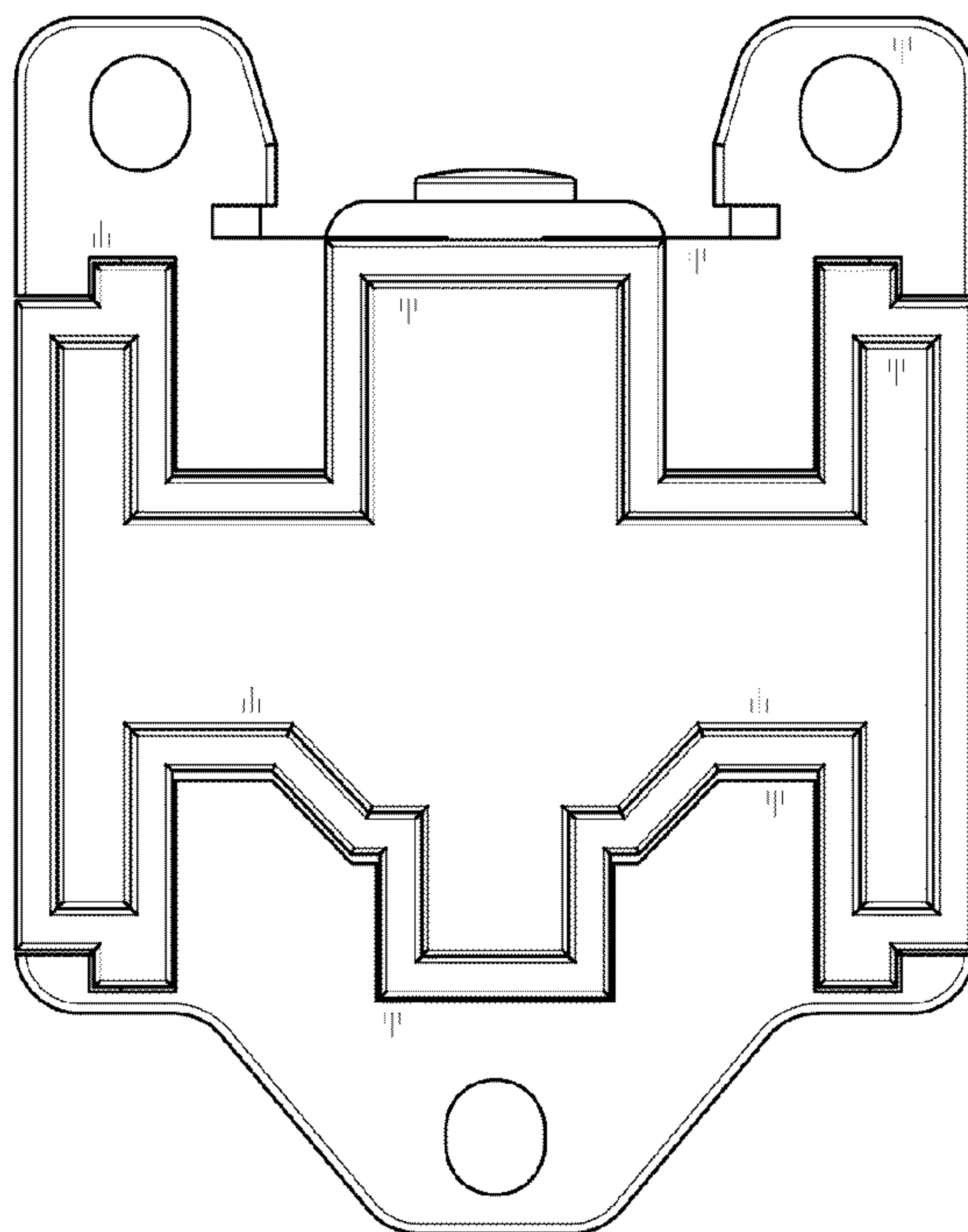


Fig. 13

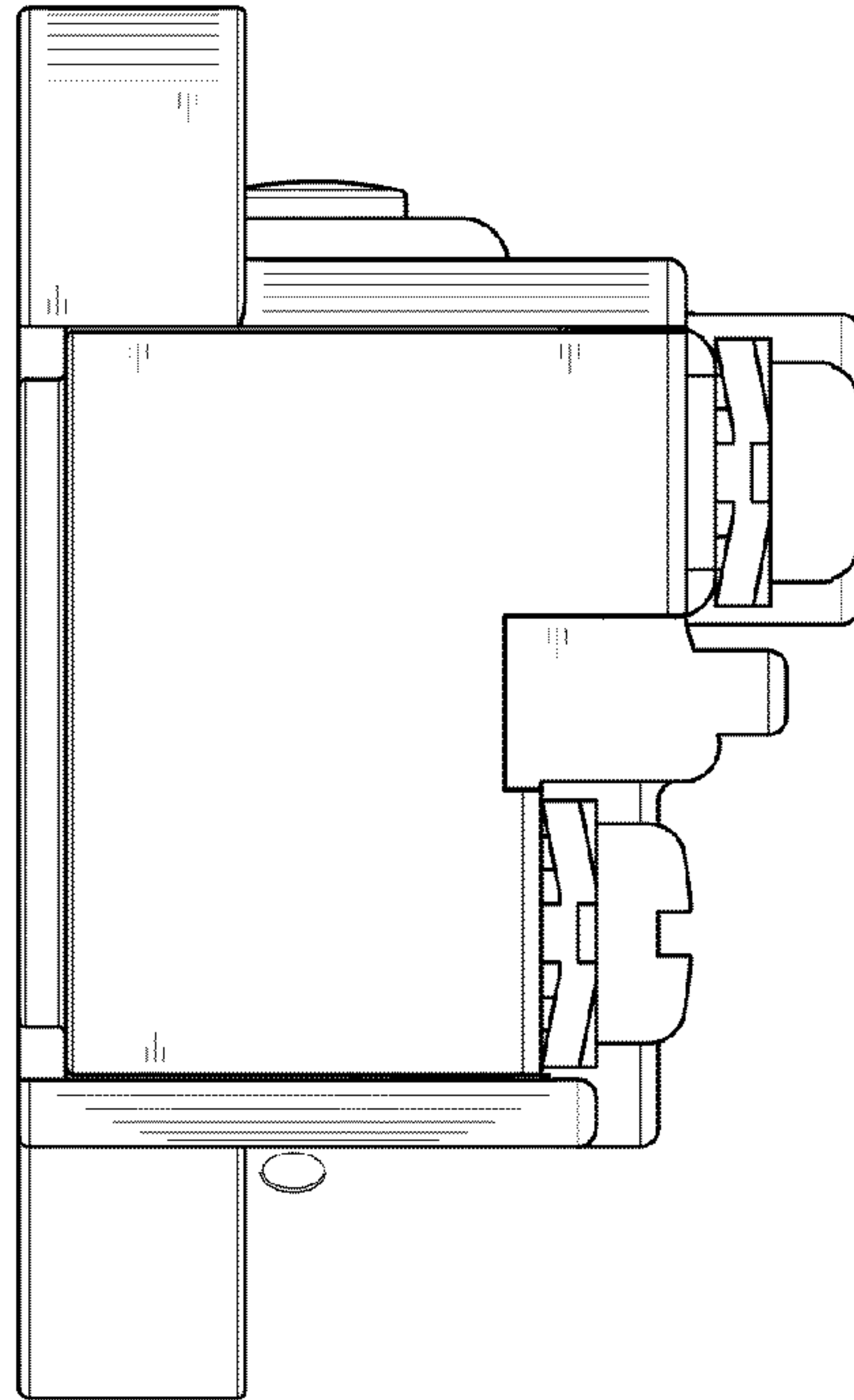


Fig. 14

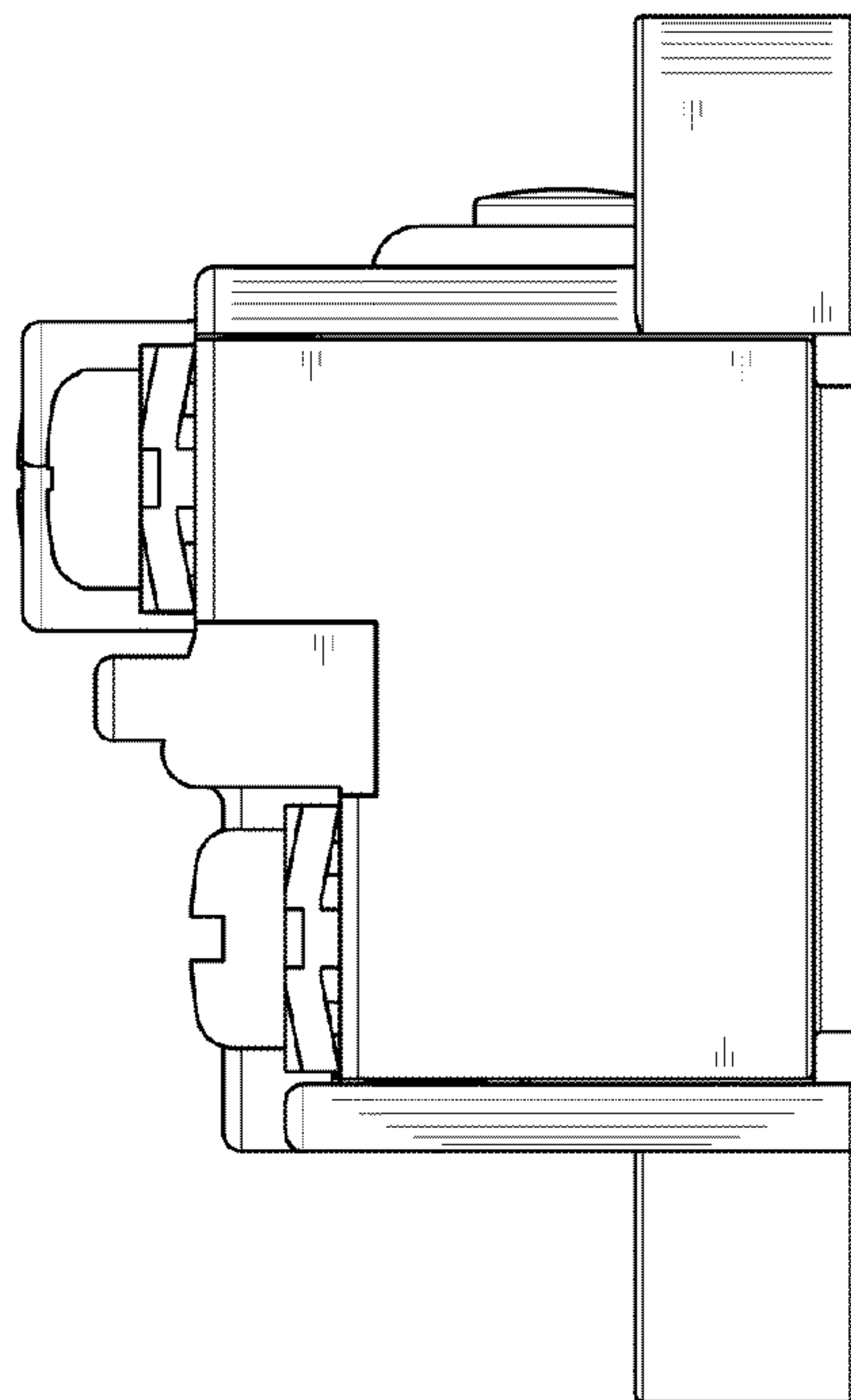


Fig. 15

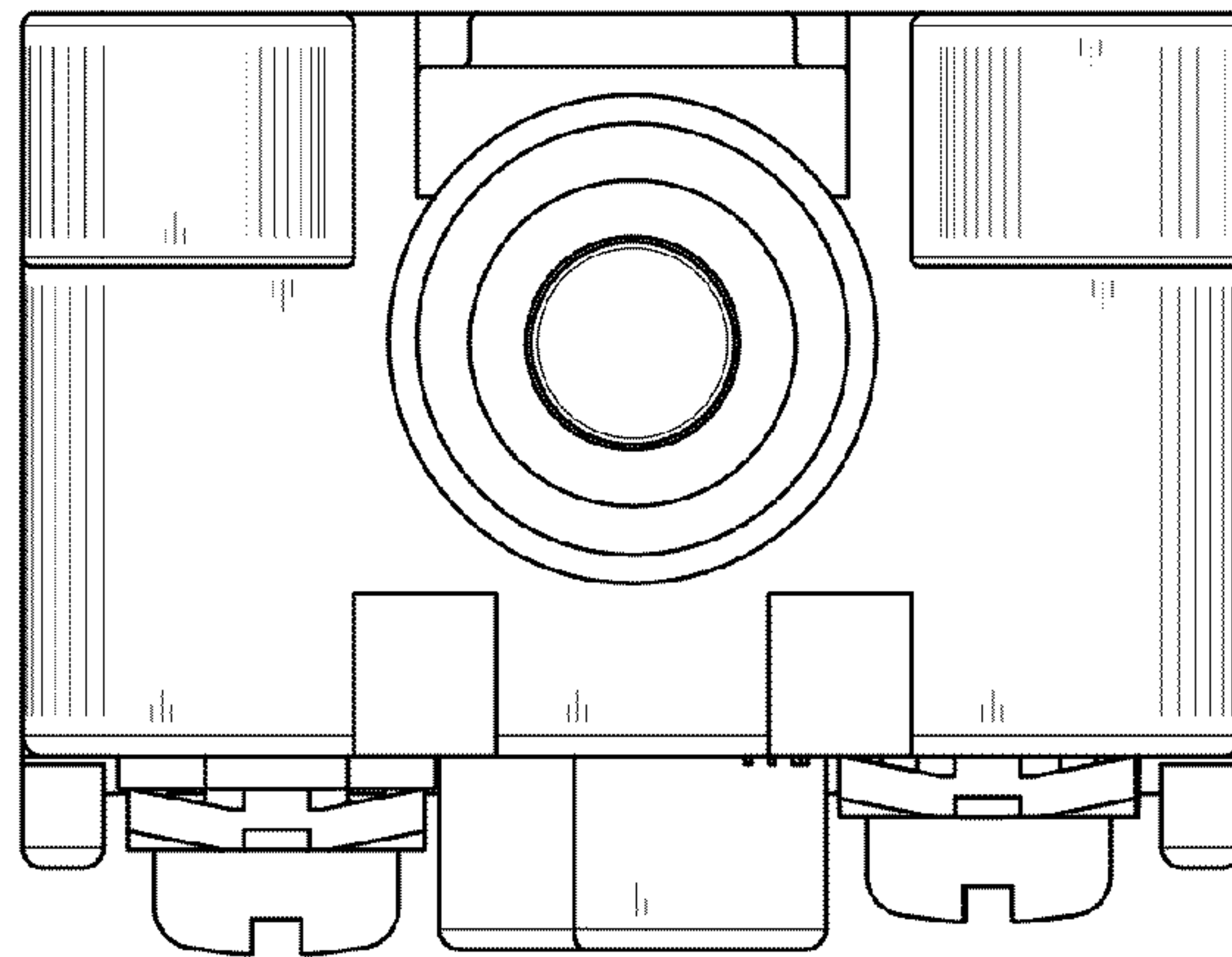


Fig. 16

