

US00D694193S

(12) **United States Design Patent**
Wang et al.

(10) **Patent No.:** **US D694,193 S**

(45) **Date of Patent:** **** Nov. 26, 2013**

- (54) **INTEGRAL JACKET SEAL**
- (75) Inventors: **Jefferson Wang**, Aiken, SC (US);
Nathan Vogt, Aiken, SC (US); **David Crotty**, Aiken, SC (US)
- (73) Assignee: **Hubbell Incorporated**, Shelton, CT (US)
- (**) Term: **14 Years**
- (21) Appl. No.: **29/387,656**
- (22) Filed: **Mar. 16, 2011**
- (51) **LOC (9) Cl.** **13-03**
- (52) **U.S. Cl.**
USPC **D13/156**
- (58) **Field of Classification Search**
USPC D13/120, 133, 146, 147, 149, 151, 154,
D13/184, 199; 174/74 A, 74 R, 75 C, 84 C,
174/84 R, 84 S, 88 S; 439/271, 275, 277,
439/278, 279, 281, 283, 455, 447, 578, 583,
439/584, 752.5, 927
See application file for complete search history.

D404,716	S	*	1/1999	Lee	D13/154
6,042,407	A		3/2000	Scull		
6,089,912	A	*	7/2000	Tallis et al.	439/584
6,429,373	B1		8/2002	Scrimshire		
6,790,063	B2	*	9/2004	Jazowski et al.	439/181
6,843,685	B1	*	1/2005	Borgstrom et al.	439/606
6,905,356	B2	*	6/2005	Jazowski et al.	439/181
D508,232	S	*	8/2005	Suckle et al.	D13/156
7,108,568	B2		9/2006	Jazowski		
7,311,554	B1	*	12/2007	Jackson et al.	439/584
7,381,103	B2		6/2008	Luzzi		
7,431,599	B2		10/2008	Luzzi		
D606,022	S	*	12/2009	Sakamoto	D13/133
7,661,979	B2		2/2010	Hughes		
2008/0299818	A1		12/2008	Hughes		

* cited by examiner

Primary Examiner — Derrick Holland

Assistant Examiner — Lauren Calve

(74) *Attorney, Agent, or Firm* — Marcus R. Mickney; Mark S. Bicks; Alfred N. Goodman

(57) **CLAIM**

The ornamental design for an integral jacket seal, as shown and described.

DESCRIPTION

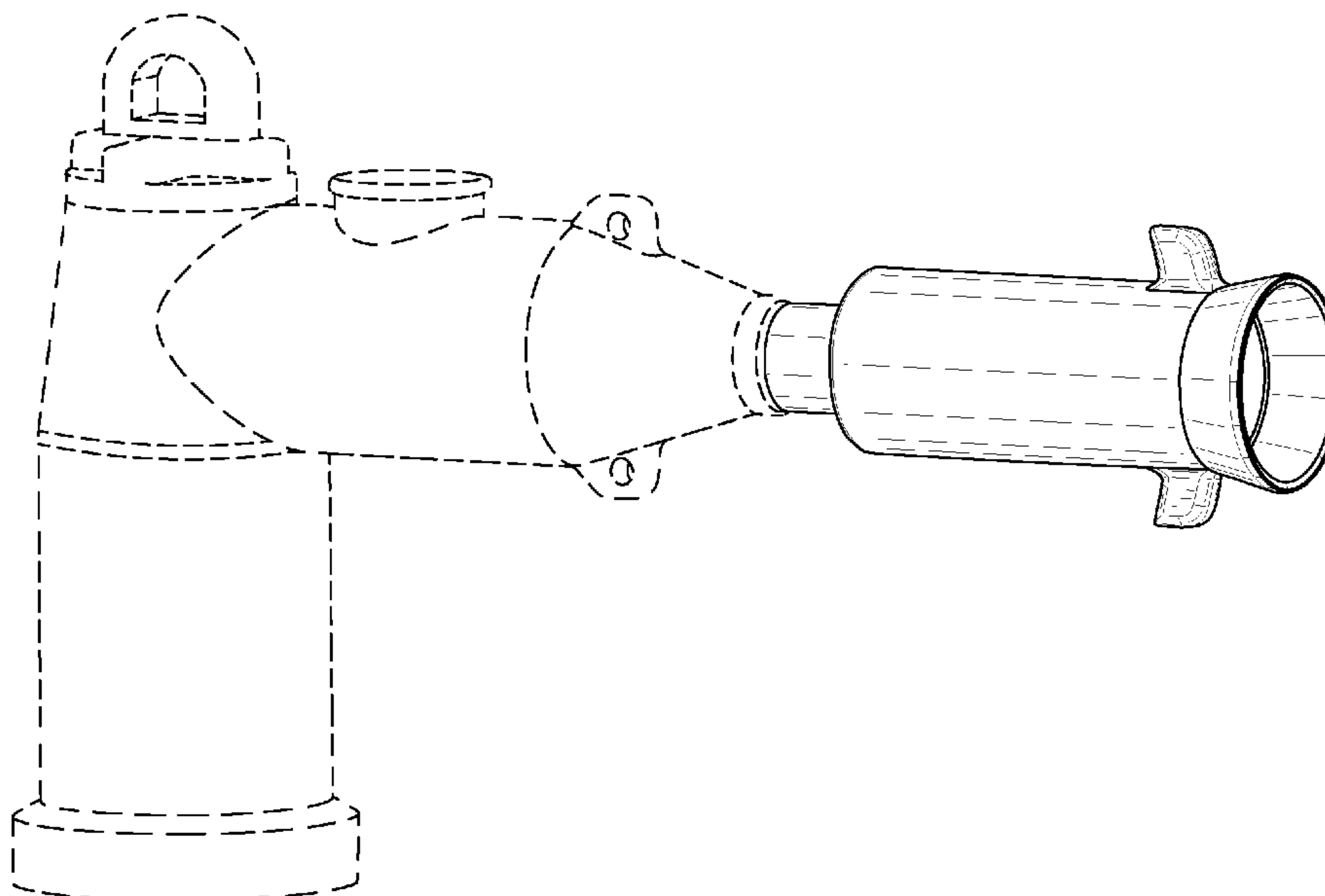
FIG. 1 is a front perspective view of the integral jacket seal of the present invention;
 FIG. 2 is a side perspective view of FIG. 1;
 FIG. 3 is a top plan view of FIG. 1;
 FIG. 4 is a bottom plan view of FIG. 1;
 FIG. 5 is a side elevational view of FIG. 1;
 FIG. 6 is a front elevational view of FIG. 1; and,
 FIG. 7 is a rear elevational view of FIG. 1.
 The broken line showing of FIGS. 1-7 represents unclaimed subject matter and form no part of the claimed design.

1 Claim, 6 Drawing Sheets

(56) **References Cited**

U.S. PATENT DOCUMENTS

2,239,026	A	*	4/1941	Wagner	174/91
3,480,905	A		11/1969	Toedtman		
3,541,495	A		11/1970	Ellis		
D222,263	S	*	10/1971	De Sio	D13/133
3,657,469	A		4/1972	Ryder		
3,696,321	A		10/1972	Cooper, Jr.		
3,725,846	A		4/1973	Strain		
3,753,203	A		8/1973	Link		
4,400,048	A	*	8/1983	Sacks	334/46
D296,779	S	*	7/1988	Watson	D13/156
5,230,640	A		7/1993	Tardif		
5,278,354	A		1/1994	Lhomme		



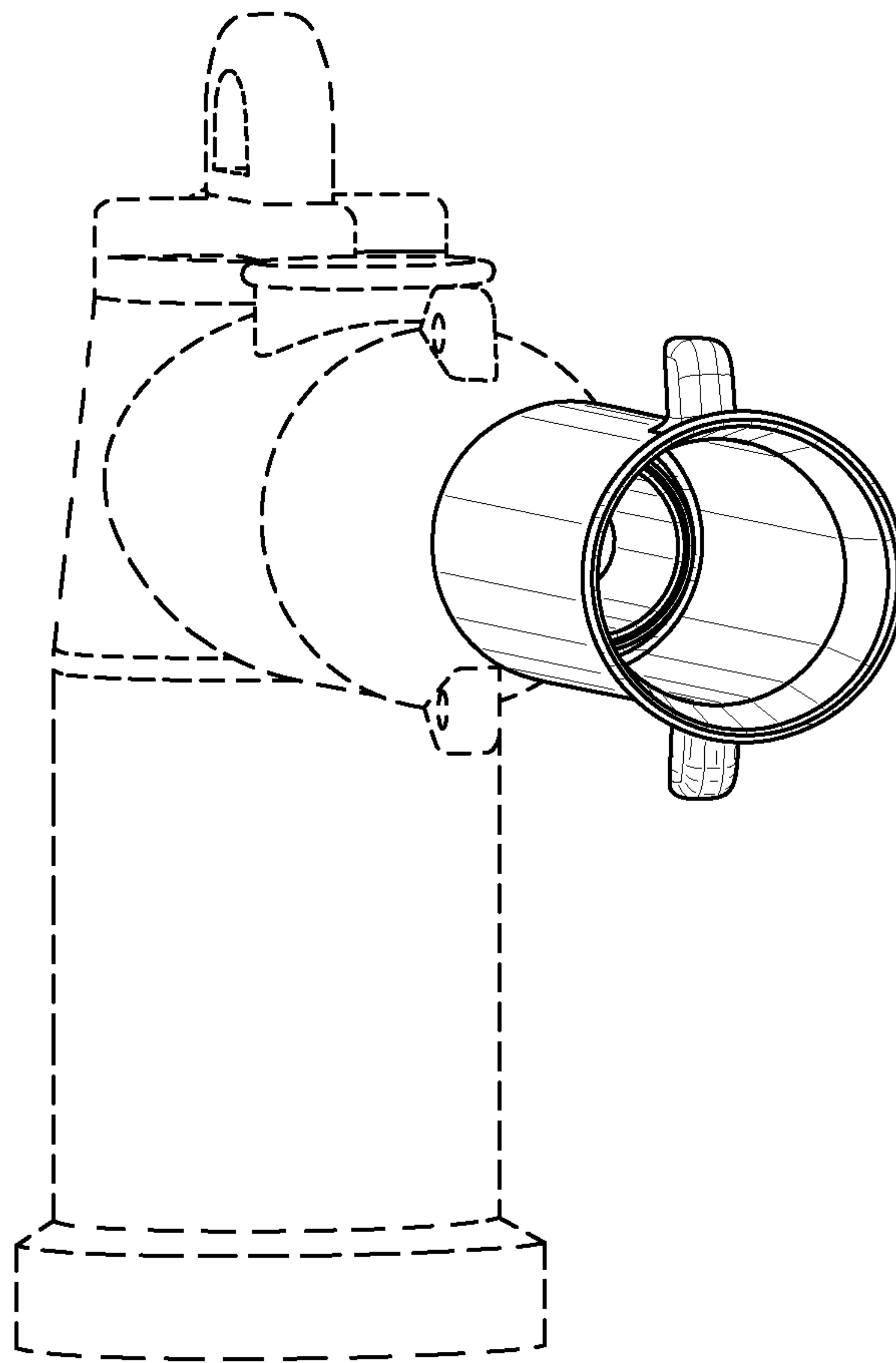


FIG. 1

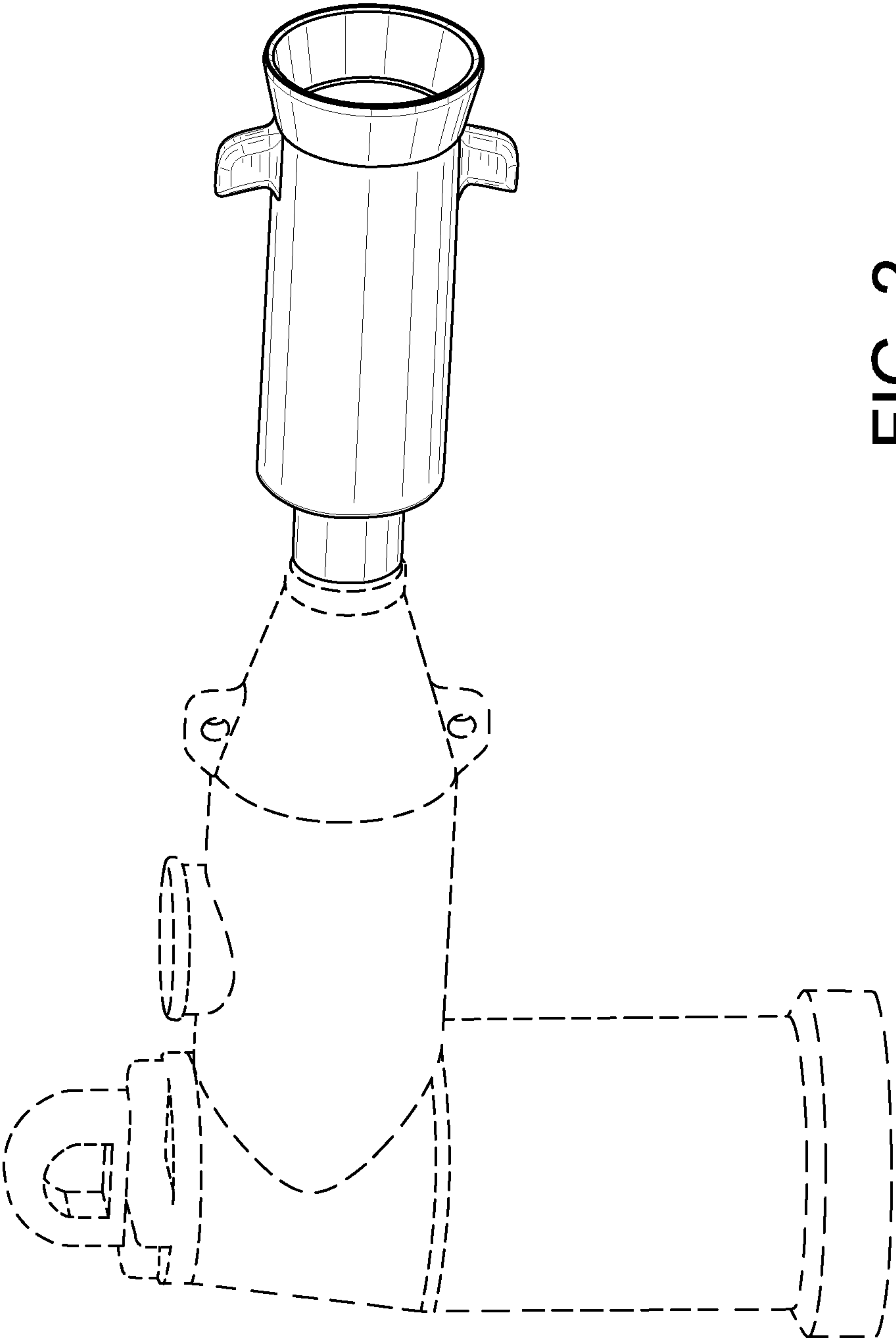


FIG. 2

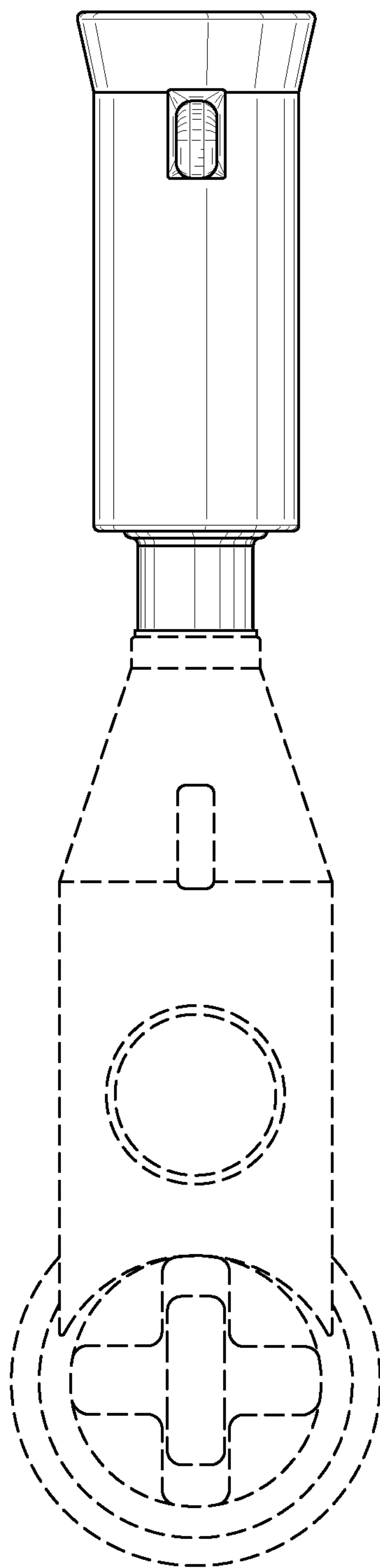


FIG. 3

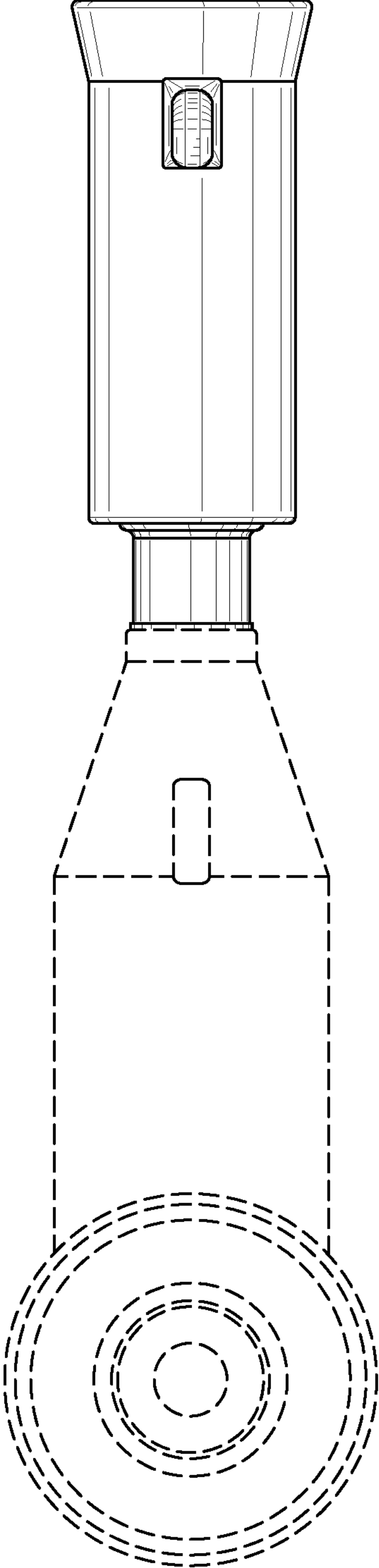


FIG. 4

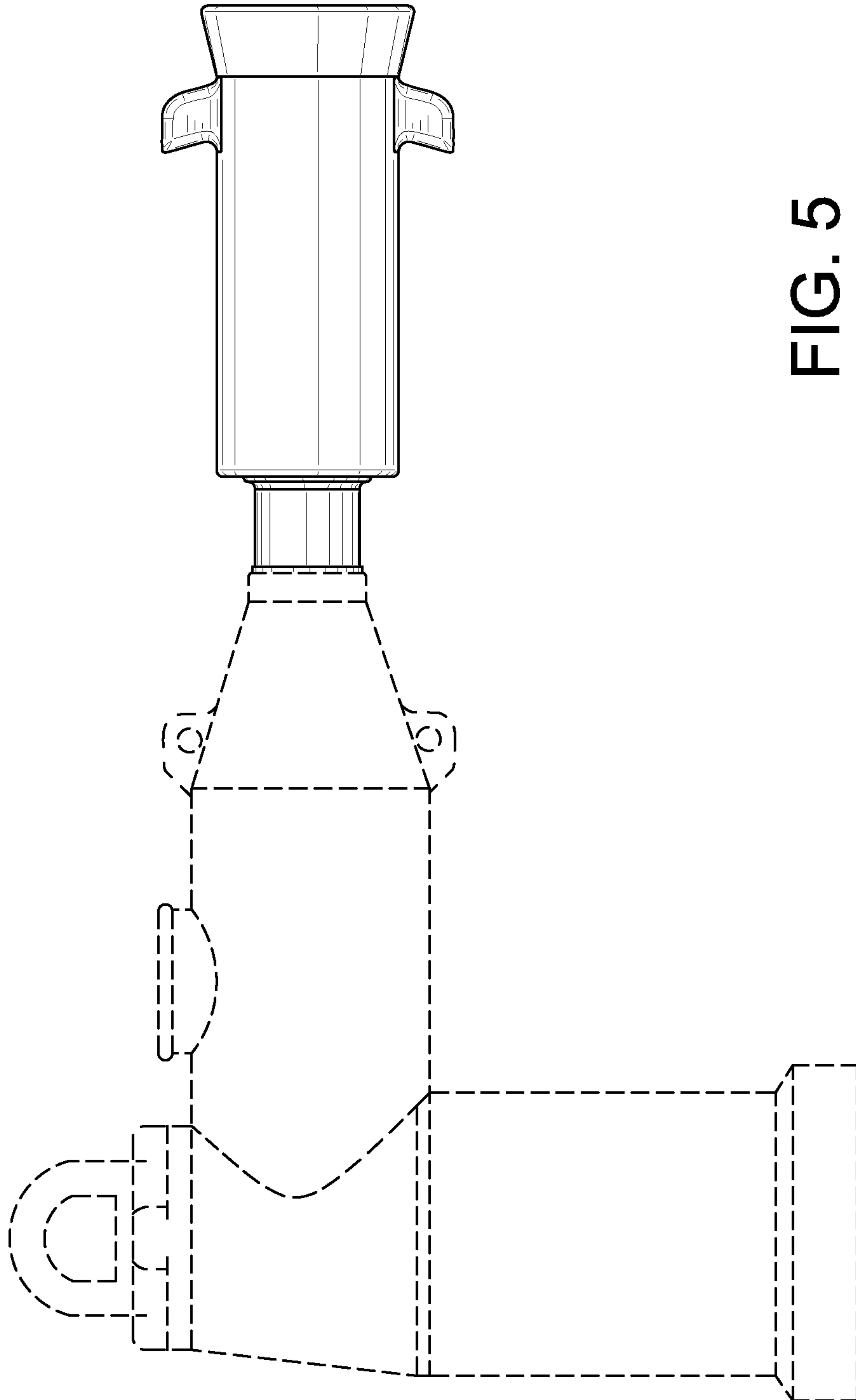


FIG. 5

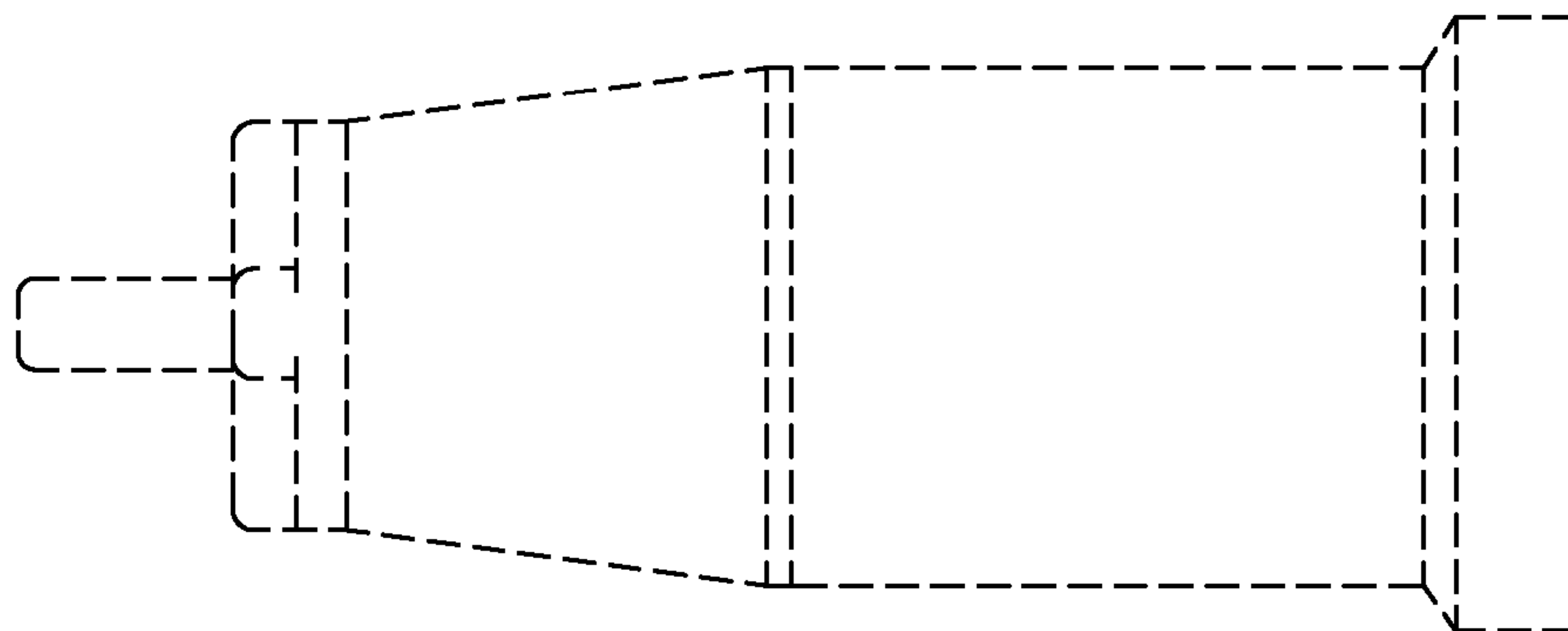


FIG. 7

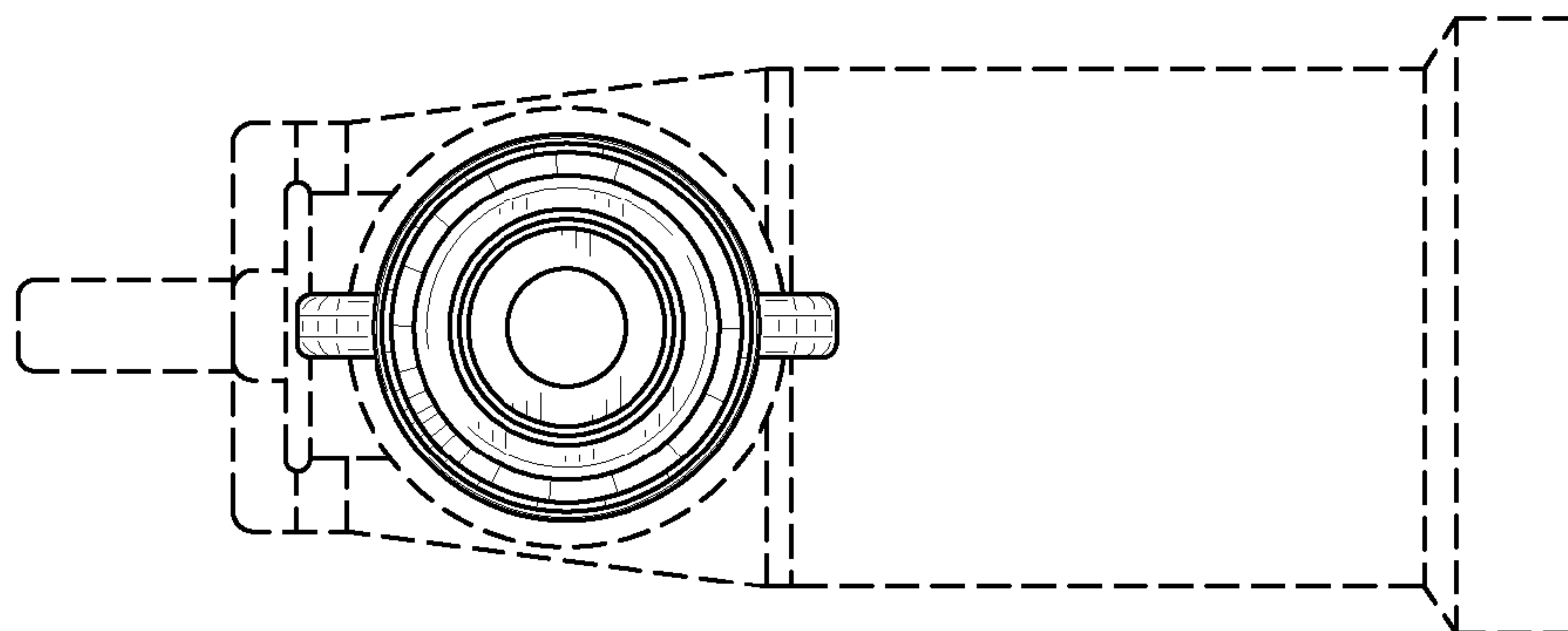


FIG. 6