



US00D694192S

(12) **United States Design Patent**
Millevik

(10) **Patent No.:** **US D694,192 S**
(45) **Date of Patent:** **** Nov. 26, 2013**

(54) **SEALING AND GROUNDING MODULE**

(71) Applicant: **Roxtec AB**, Karlskrona (SE)

(72) Inventor: **Bo Millevik**, Karlskrona (SE)

(73) Assignee: **Roxtec AB**, Karlskrona (SE)

(**) Term: **14 Years**

(21) Appl. No.: **29/453,228**

(22) Filed: **Apr. 26, 2013**

Related U.S. Application Data

(62) Division of application No. 29/387,714, filed on Mar. 17, 2011.

Foreign Application Priority Data

Sep. 17, 2010 (SE) 1050971-9

(51) **LOC (9) Cl.** **13-03**

(52) **U.S. Cl.**
USPC **D13/155**

(58) **Field of Classification Search**
USPC D13/133, 129, 132, 128, 160, 162, 163,
D13/173, 177, 184, 199; D8/396; 174/74 R,
174/72 C, 75 C, 77 R, 151, 377, 382, 386,
174/521, 524, 60, 650; 248/49, 55, 74.4;
16/2.2

See application file for complete search history.

(56) **References Cited**

U.S. PATENT DOCUMENTS

2,849,027 A 8/1958 Tetyak
4,270,250 A 6/1981 Schon
H379 H 12/1987 Alexander, Jr.
4,919,372 A 4/1990 Twist et al.
5,732,180 A 3/1998 Kaplan

5,736,672 A 4/1998 Huang
5,795,634 A 8/1998 Fukui
6,107,571 A 8/2000 Damm
6,543,780 B1 * 4/2003 Kogler et al. 277/312
7,371,969 B2 * 5/2008 Hedstrom 174/151
7,411,128 B2 8/2008 Drotleff et al.
7,446,267 B2 11/2008 Hedstrom
7,790,252 B2 9/2010 Nematollahi
2003/0110719 A1 * 6/2003 Broder 52/220.8
2005/0121217 A1 * 6/2005 Hedstrom 174/52.3

* cited by examiner

Primary Examiner — Derrick Holland

Assistant Examiner — Lauren Calve

(74) *Attorney, Agent, or Firm* — Harness, Dickey & Pierce, P.L.C.

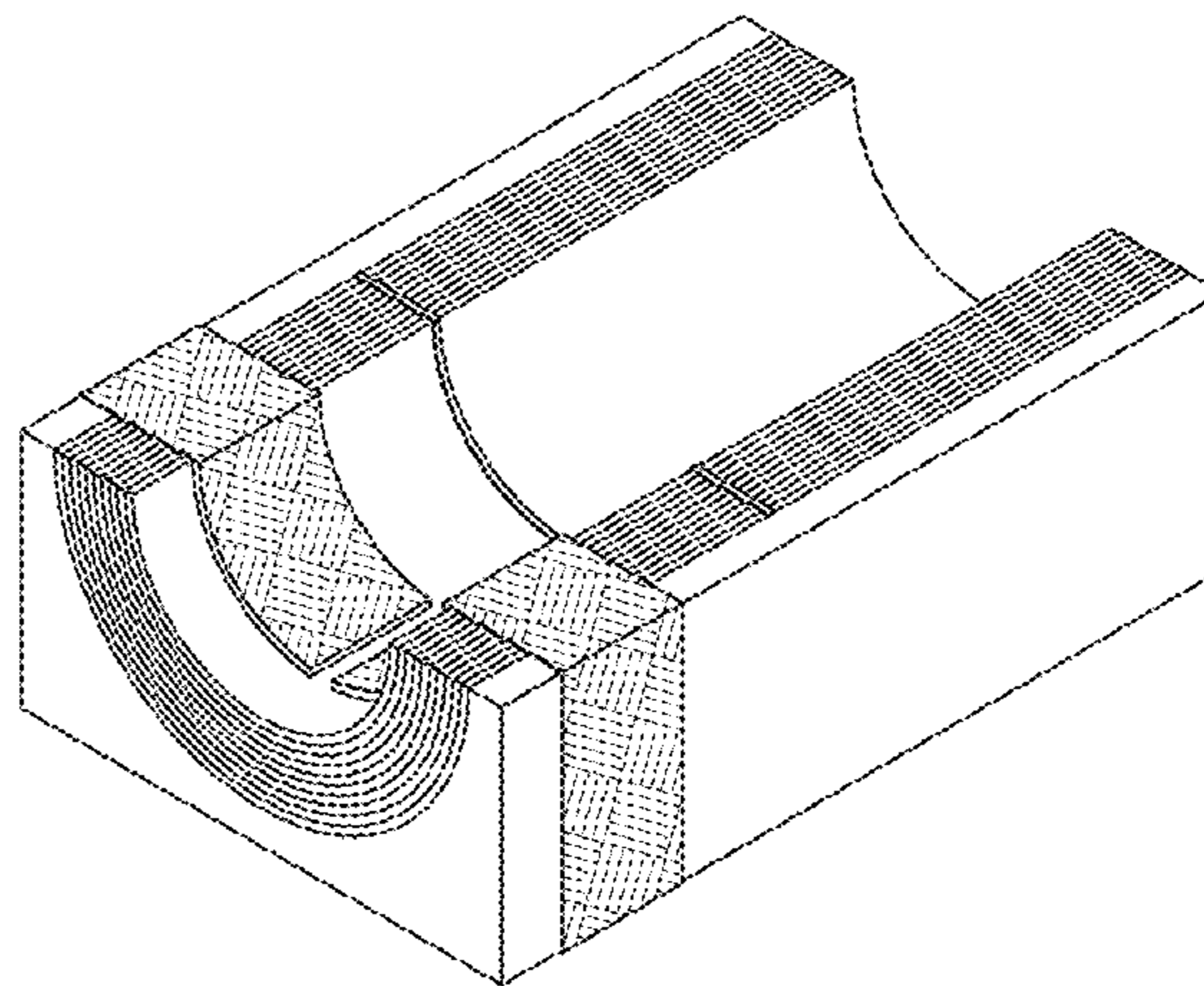
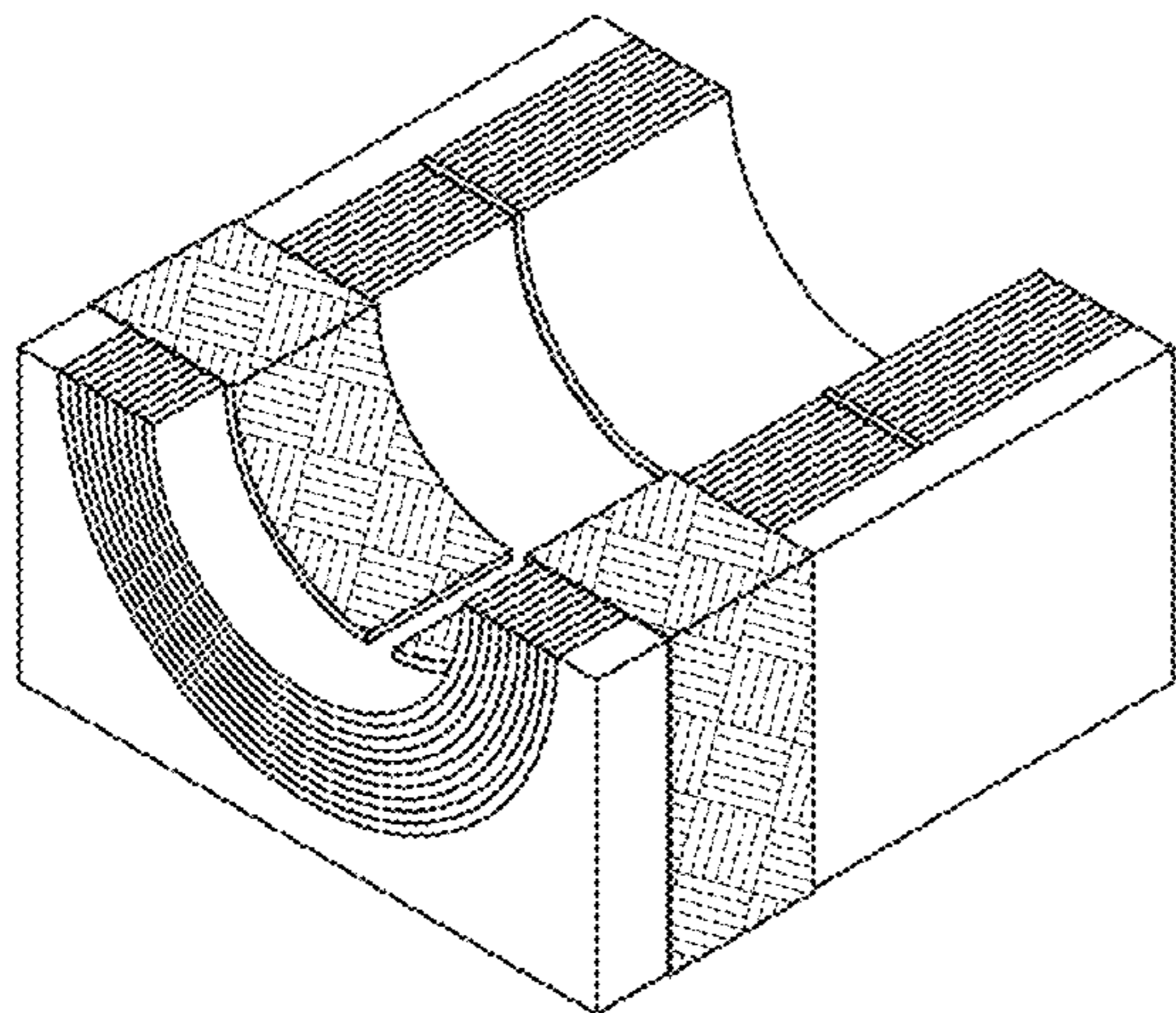
(57) **CLAIM**

The ornamental design for a sealing and grounding module, as shown and described.

DESCRIPTION

FIG. 1 is a perspective view of a first embodiment of a sealing and grounding module, showing my new design;
FIG. 2 is a front end view thereof;
FIG. 3 is a rear end view thereof;
FIG. 4 is a right side view thereof;
FIG. 5 is a left side view thereof;
FIG. 6 is a top view thereof; and
FIG. 7 is a bottom view thereof.
FIG. 8 is a perspective view of a second embodiment of a sealing and grounding module, showing my new design;
FIG. 9 is a front end view thereof;
FIG. 10 is a rear end view thereof;
FIG. 11 is a right side view thereof;
FIG. 12 is a left side view thereof;
FIG. 13 is a top view thereof; and,
FIG. 14 is a bottom view thereof.

1 Claim, 14 Drawing Sheets



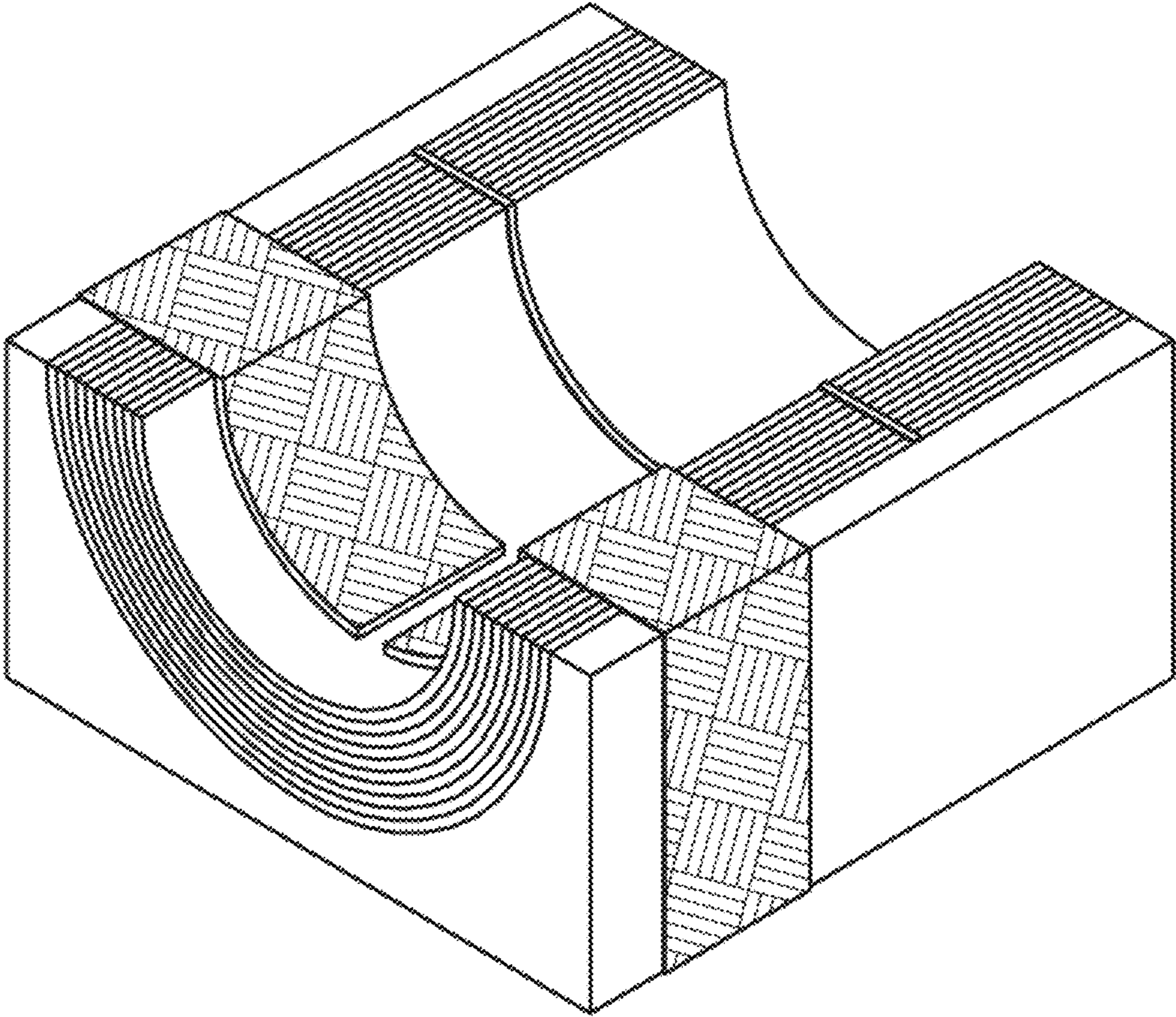


FIG. 1

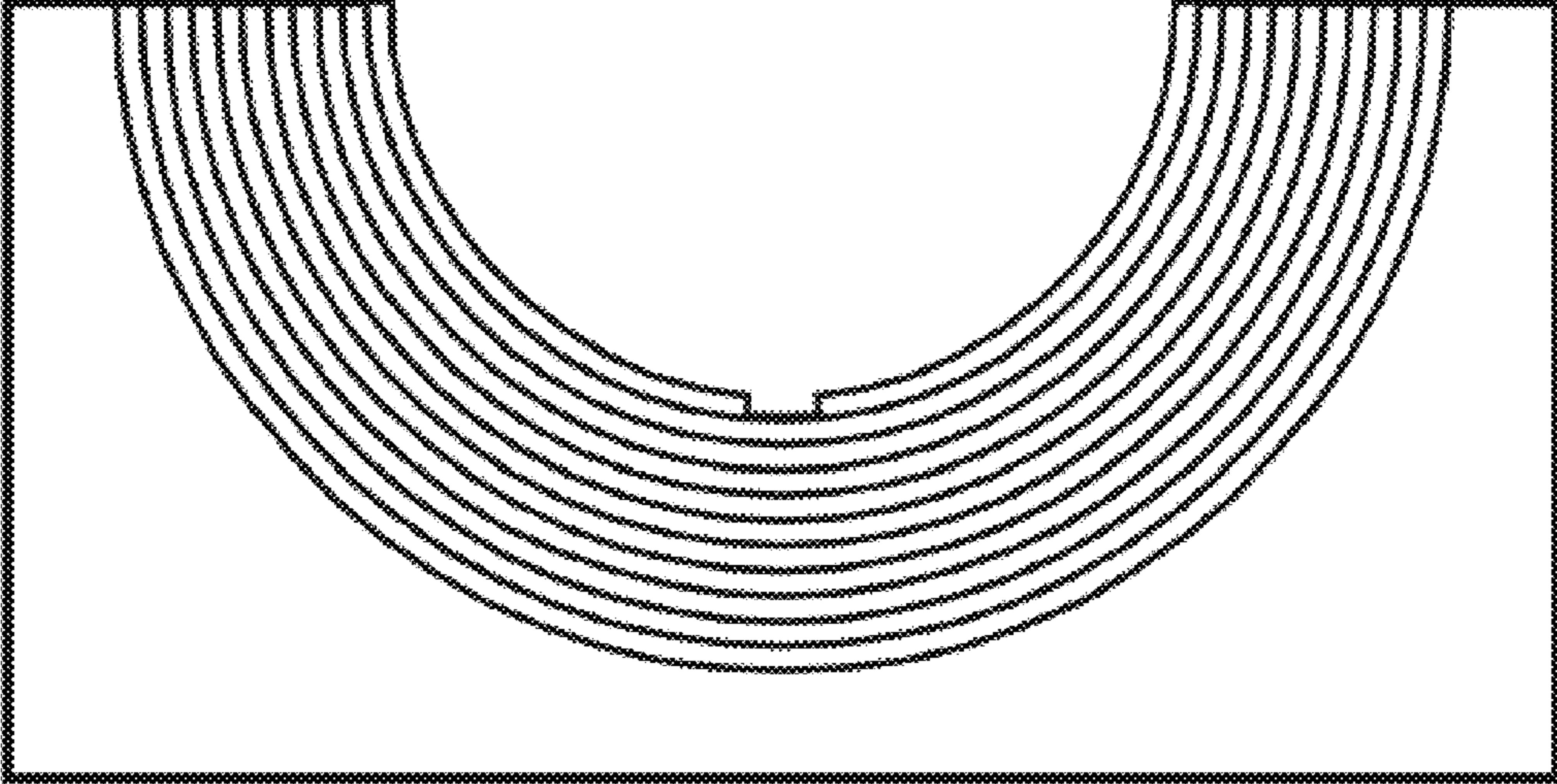


FIG. 2

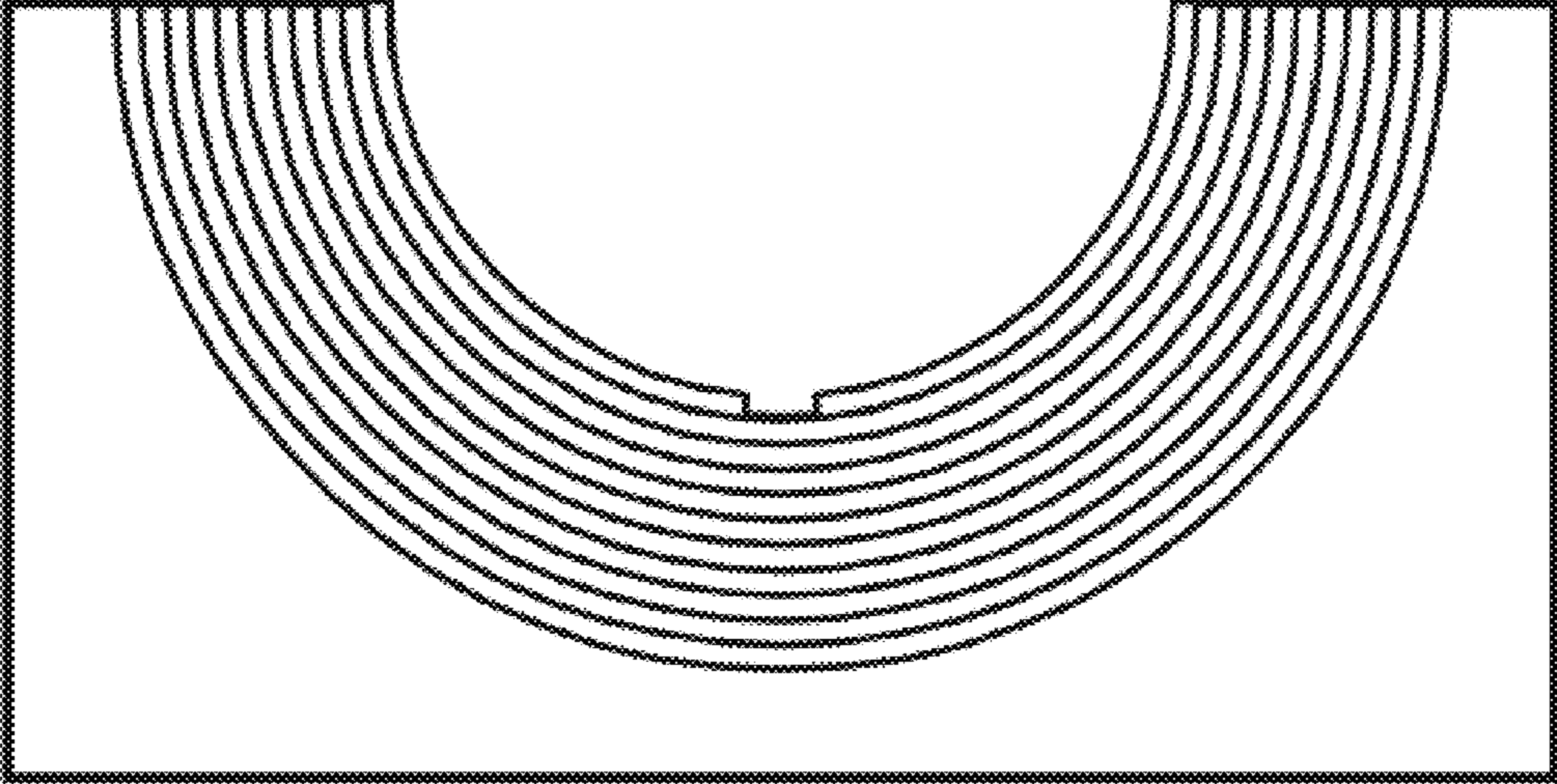


FIG. 3

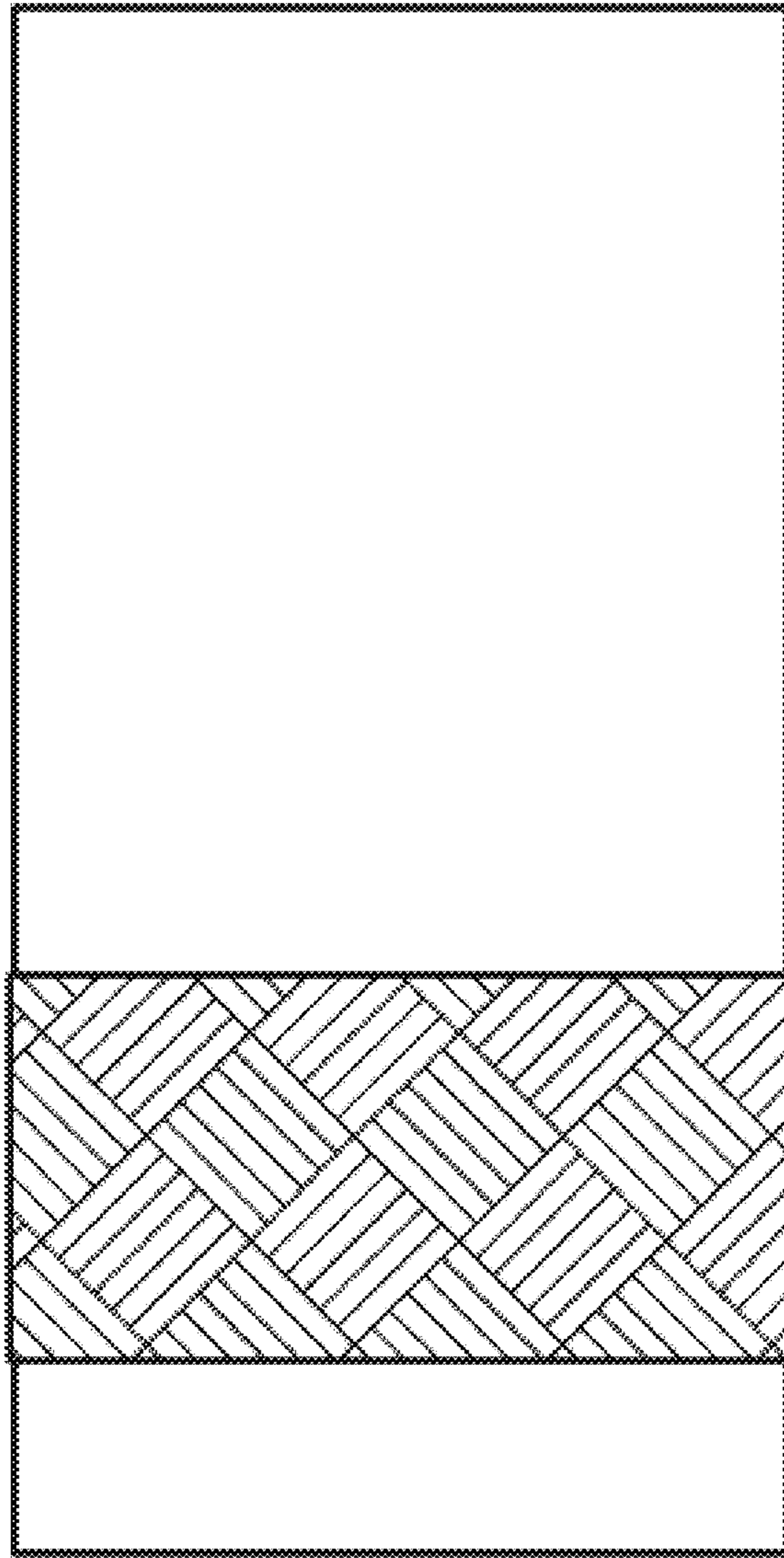


FIG. 4

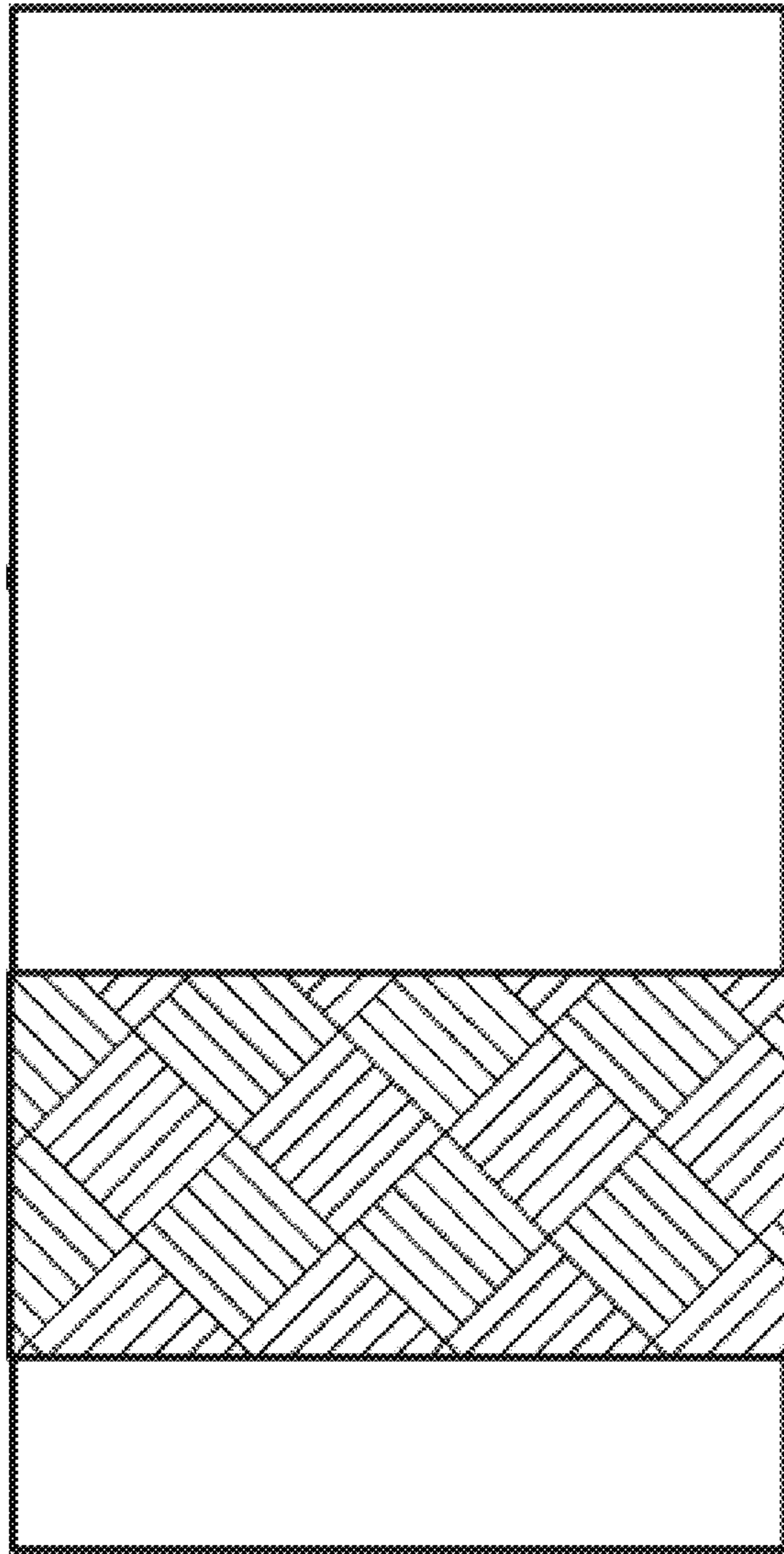


FIG. 5

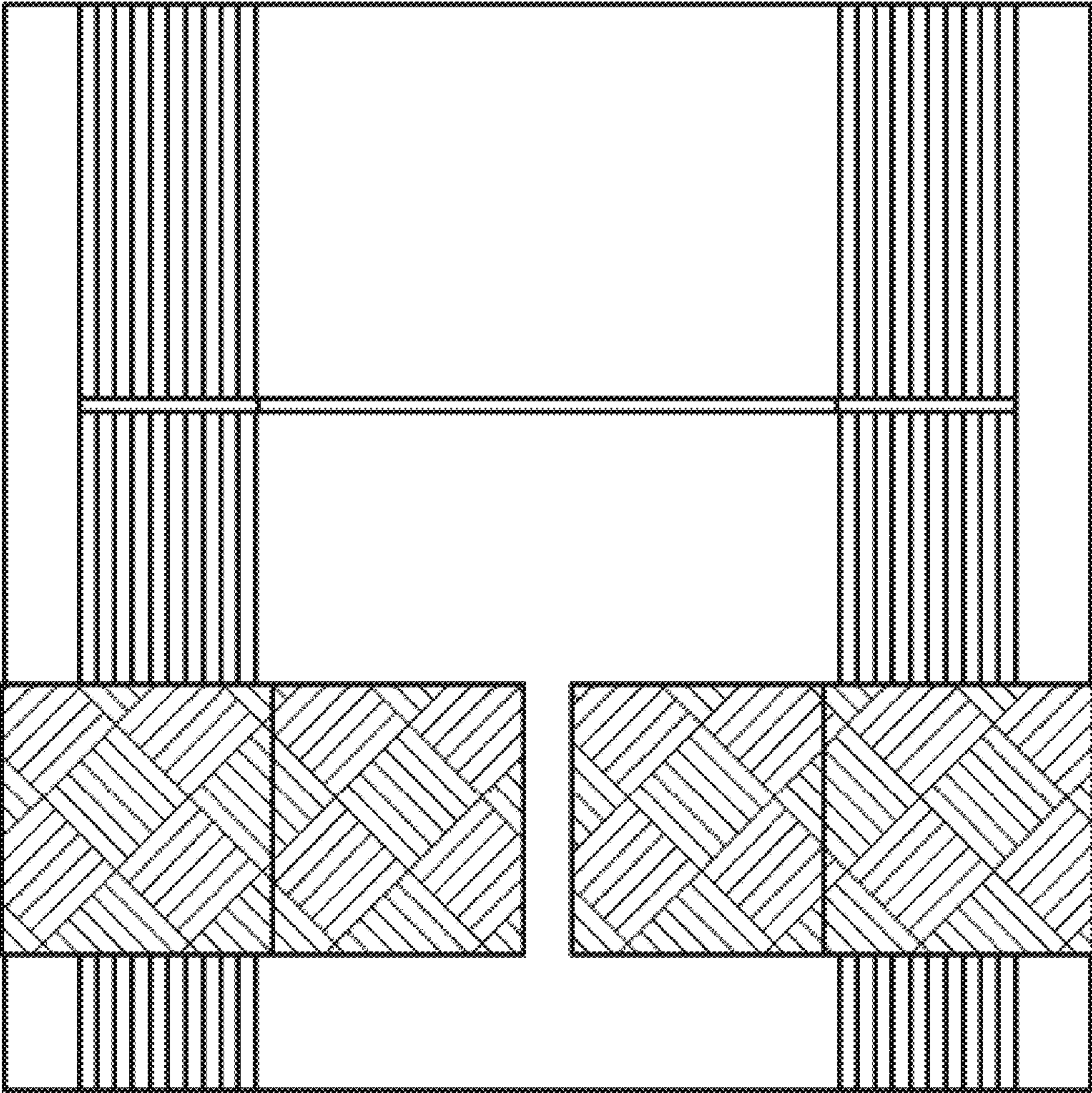


FIG. 6

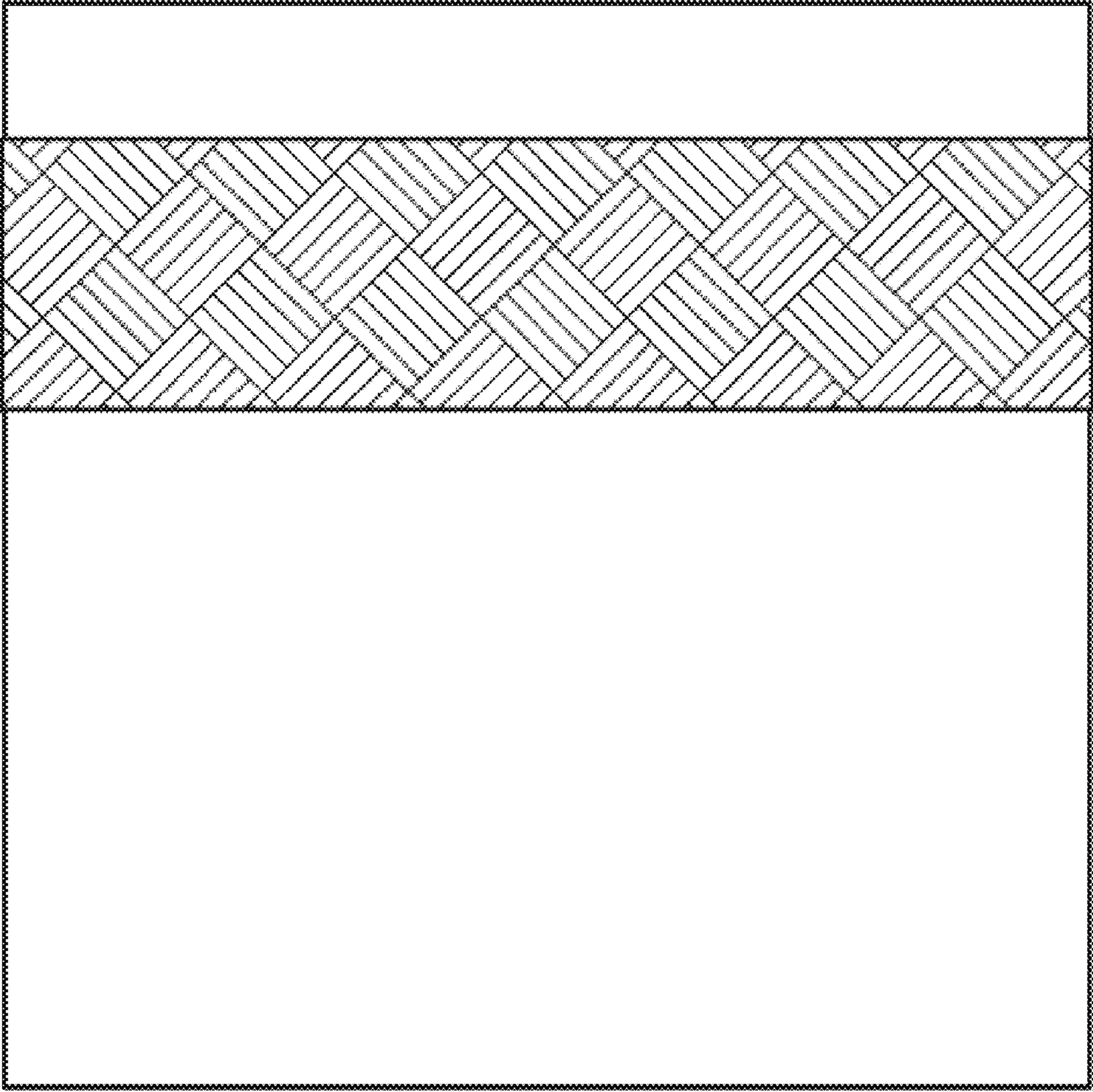


FIG. 7

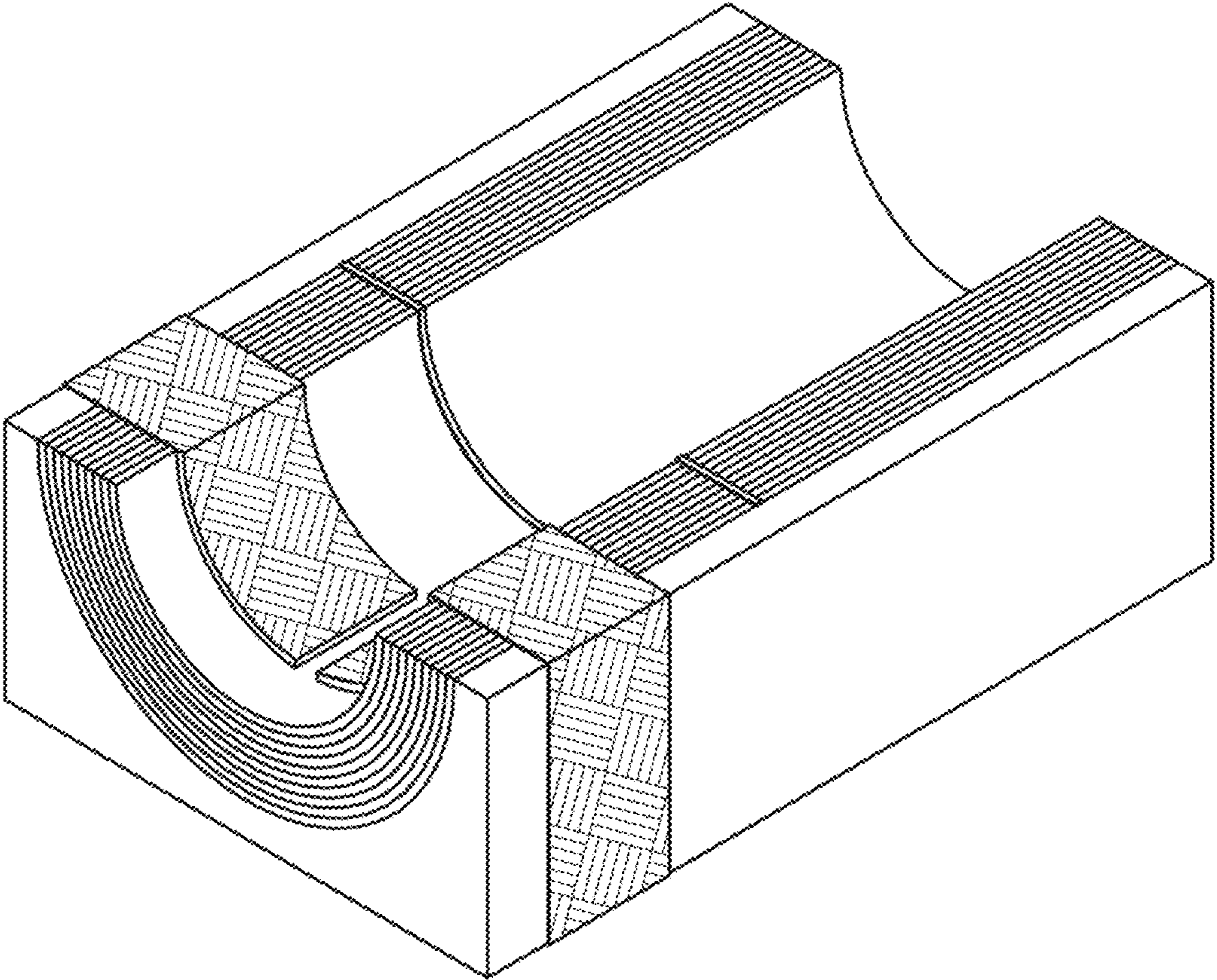


FIG. 8

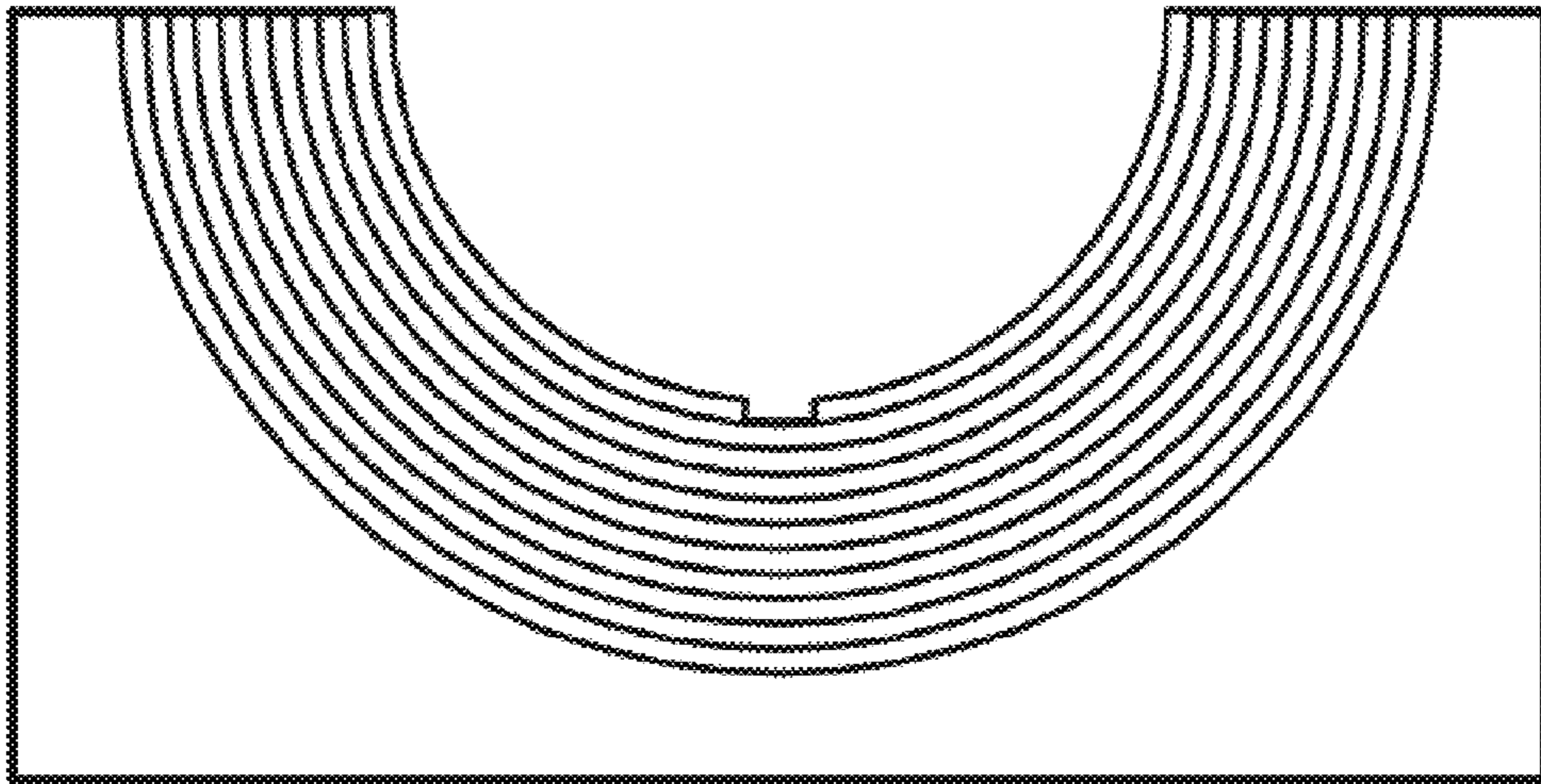


FIG. 9

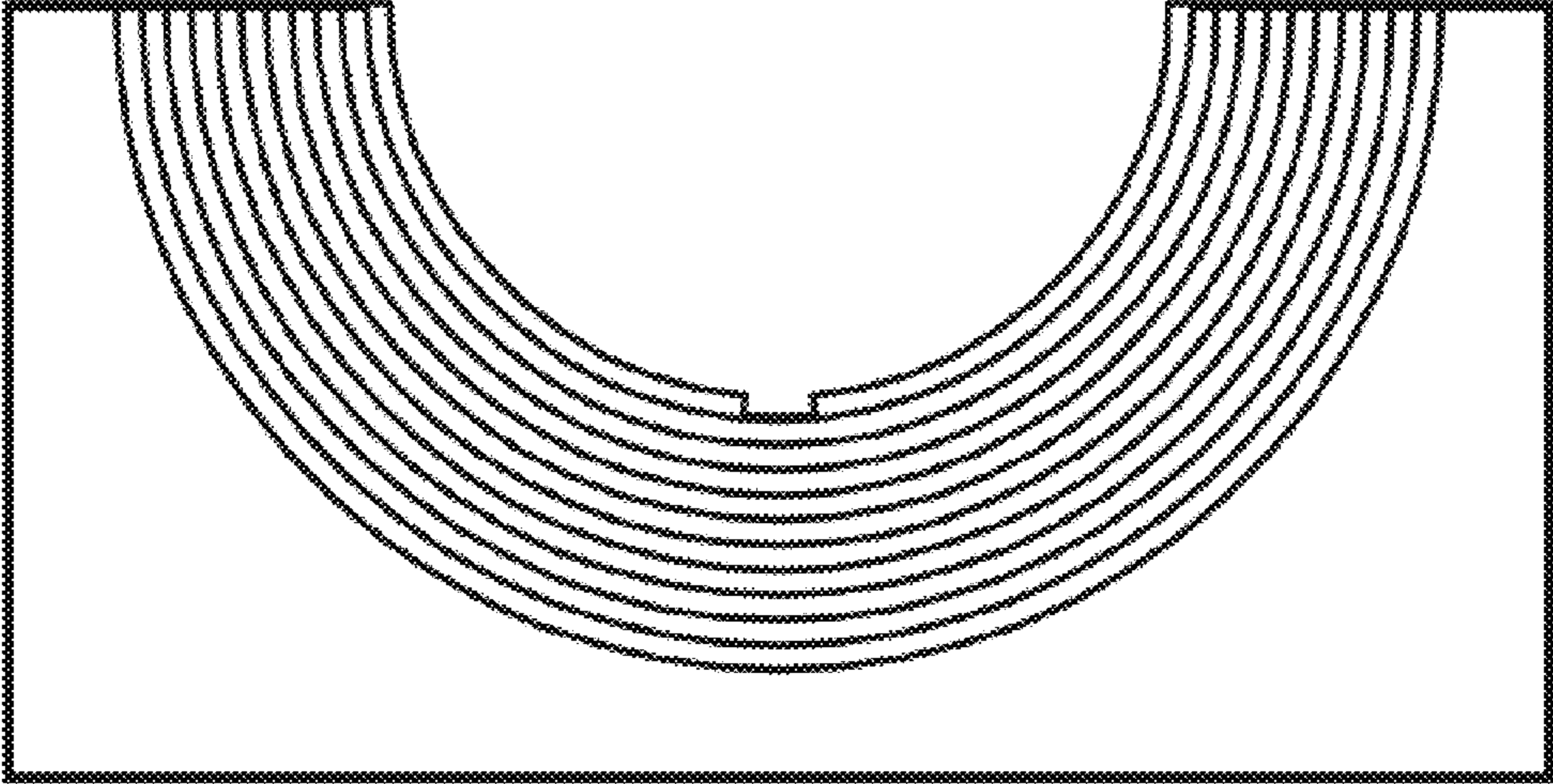


FIG. 10

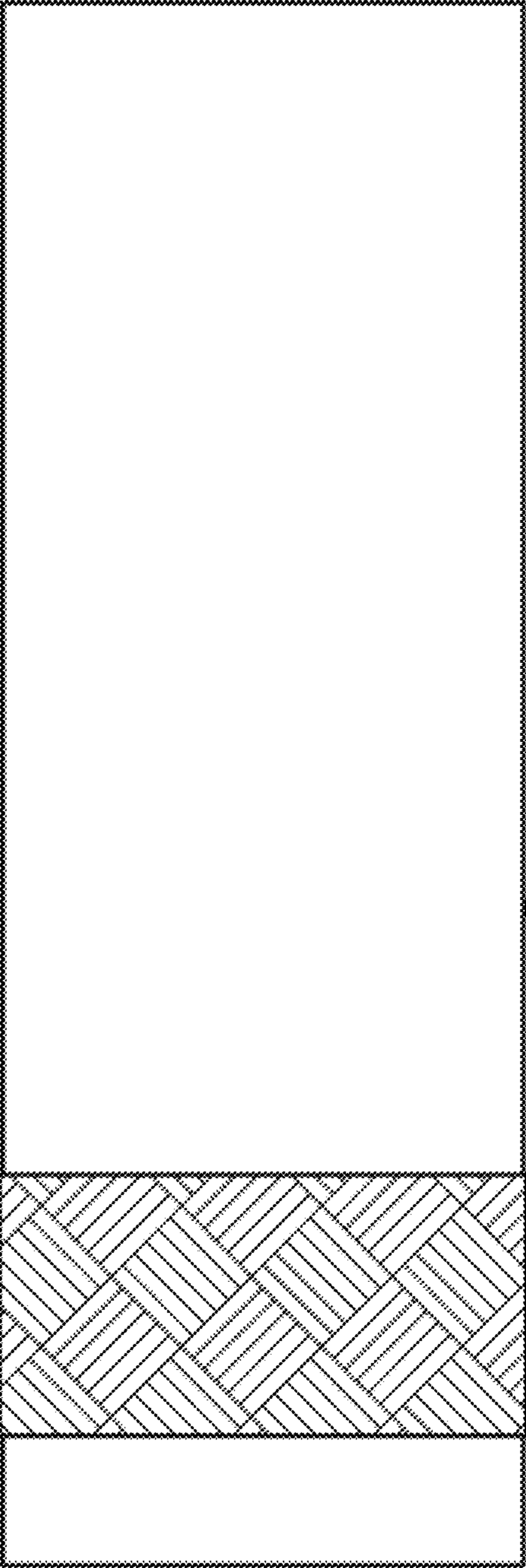


FIG. 11

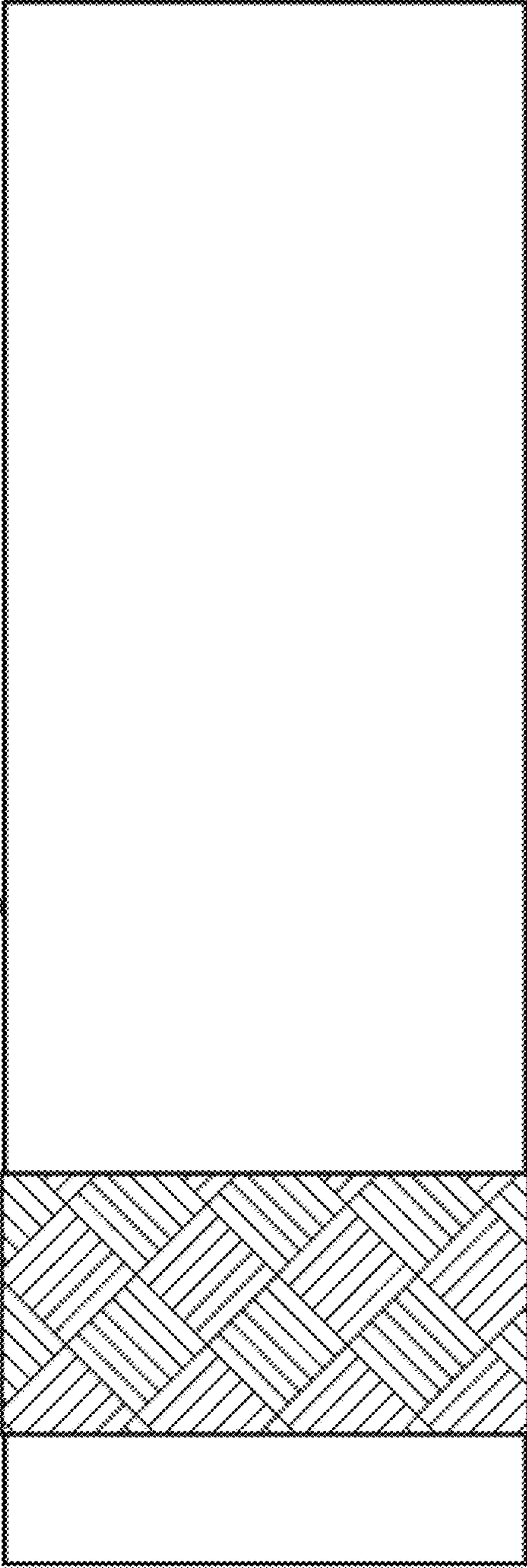


FIG. 12

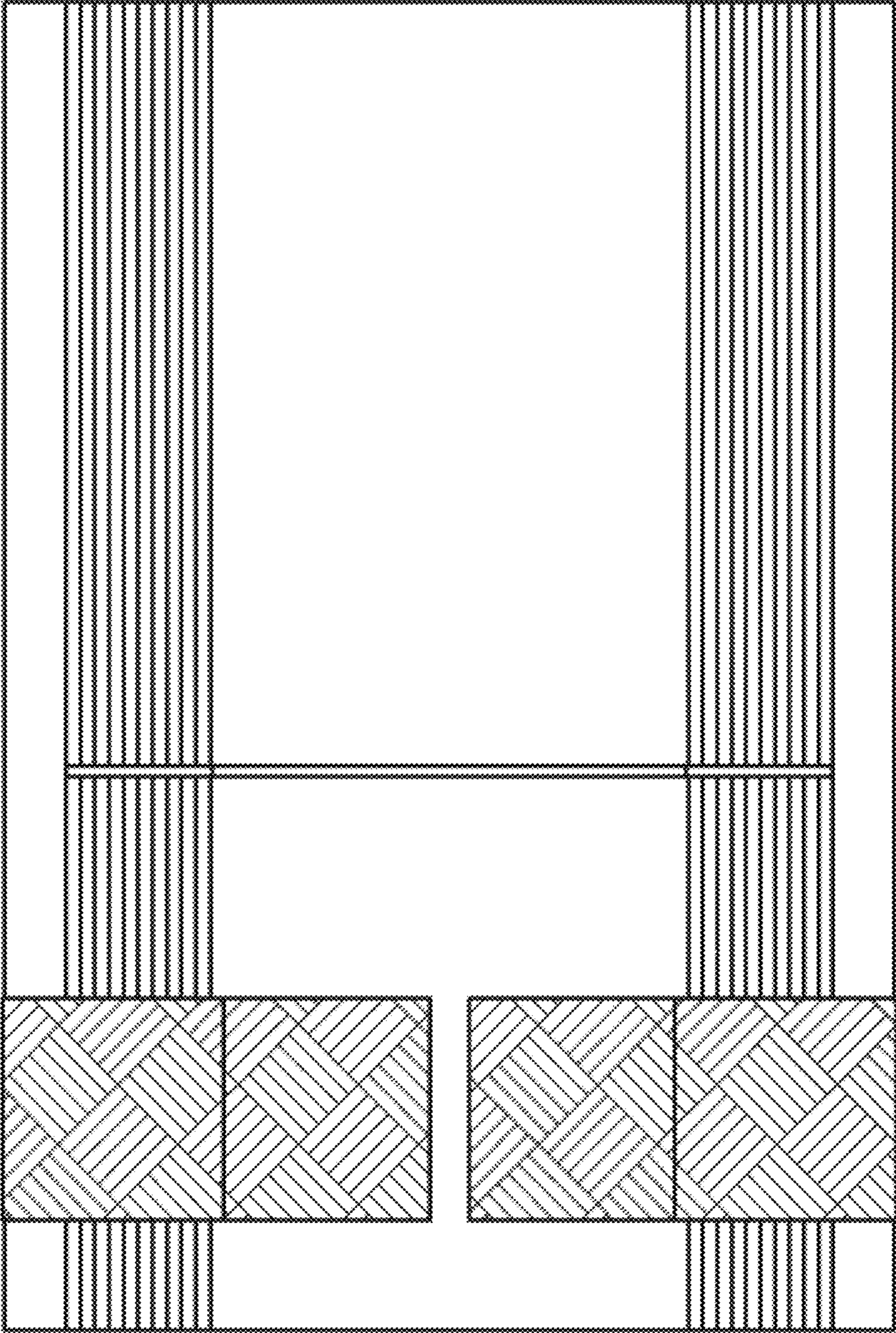


FIG. 13

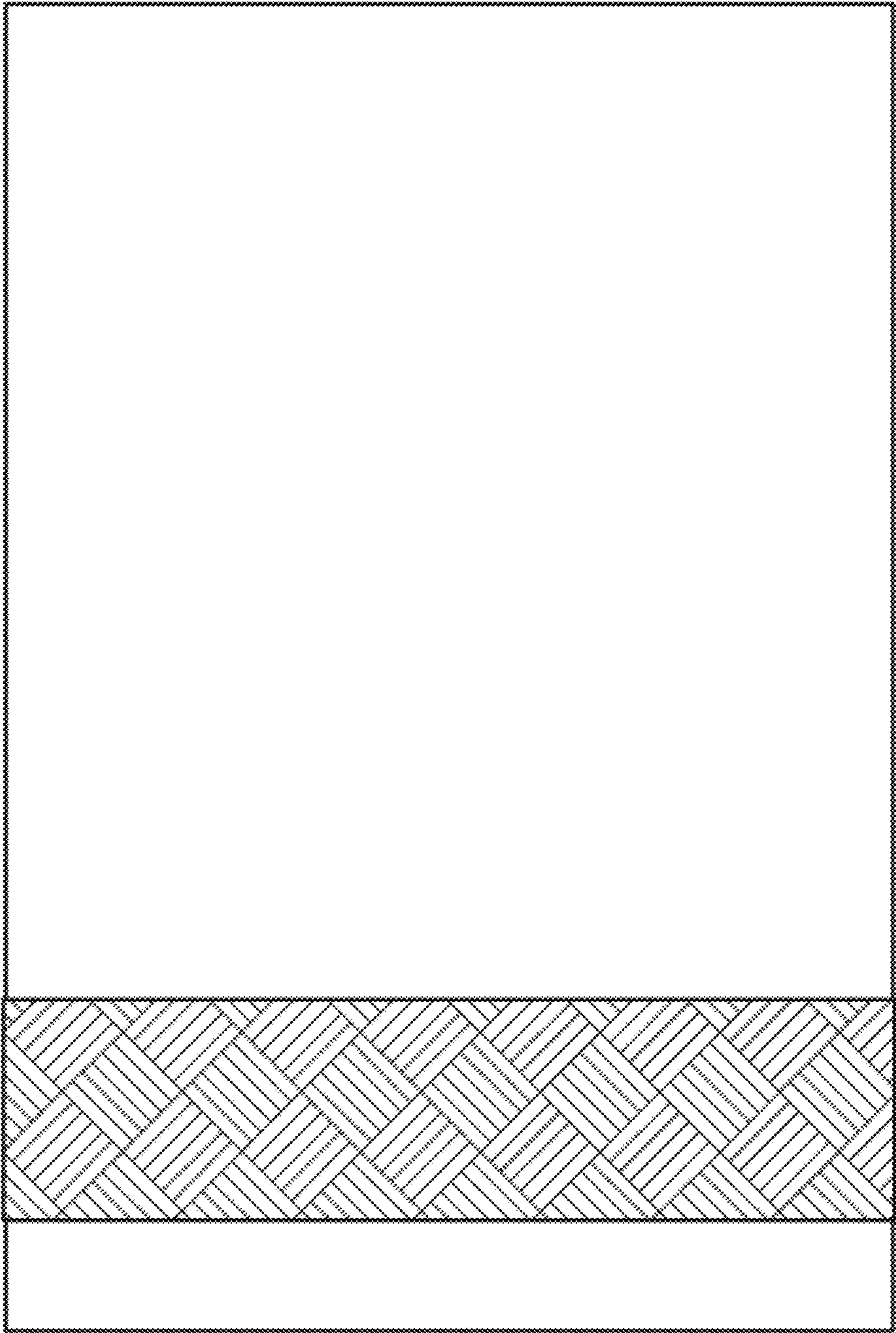


FIG. 14