

US00D694191S

(12) **United States Design Patent**
Lien et al.

(10) **Patent No.:** **US D694,191 S**
(45) **Date of Patent:** **** Nov. 26, 2013**

(54) **ELECTRICAL WIRE CONNECTION
TERMINAL BLOCK**

(75) Inventors: **Ming-Hung Lien**, New Taipei (TW);
Chih Yuan Wu, New Taipei (TW)

(73) Assignee: **Switchlab Inc.**, New Taipei (TW)

(**) Term: **14 Years**

(21) Appl. No.: **29/431,961**

(22) Filed: **Sep. 12, 2012**

(30) **Foreign Application Priority Data**

Mar. 15, 2012 (TW) 101301435

(51) **LOC (9) Cl.** **13-03**

(52) **U.S. Cl.**

USPC **D13/149**

(58) **Field of Classification Search**

USPC D13/133, 146, 147, 149, 151, 153, 154,
D13/184, 199; 439/409, 412, 417, 441, 709,
439/715, 716, 717, 721, 729, 835, 260, 329,
439/492, 495, 570, 68, 73, 135, 331, 526,
439/862; 361/823

See application file for complete search history.

(56) **References Cited**

U.S. PATENT DOCUMENTS

4,759,726	A *	7/1988	Naylor et al.	439/441
D423,458	S *	4/2000	Poirier	D13/149
D473,519	S *	4/2003	Borst	D13/147
D475,973	S *	6/2003	Xu et al.	D13/147
D598,855	S *	8/2009	Stromiedel et al.	D13/133
D624,503	S *	9/2010	Severing	D13/147
D625,270	S *	10/2010	Schafmeister	D13/147
D626,509	S *	11/2010	Severing	D13/147
8,124,893	B2 *	2/2012	Krishnan et al.	200/5 R
D671,897	S *	12/2012	Kettern et al.	D13/149
2013/0095697	A1 *	4/2013	Wu et al.	439/625

* cited by examiner

Primary Examiner — Thomas Johannes

(74) *Attorney, Agent, or Firm* — Rosenberg, Klein & Lee

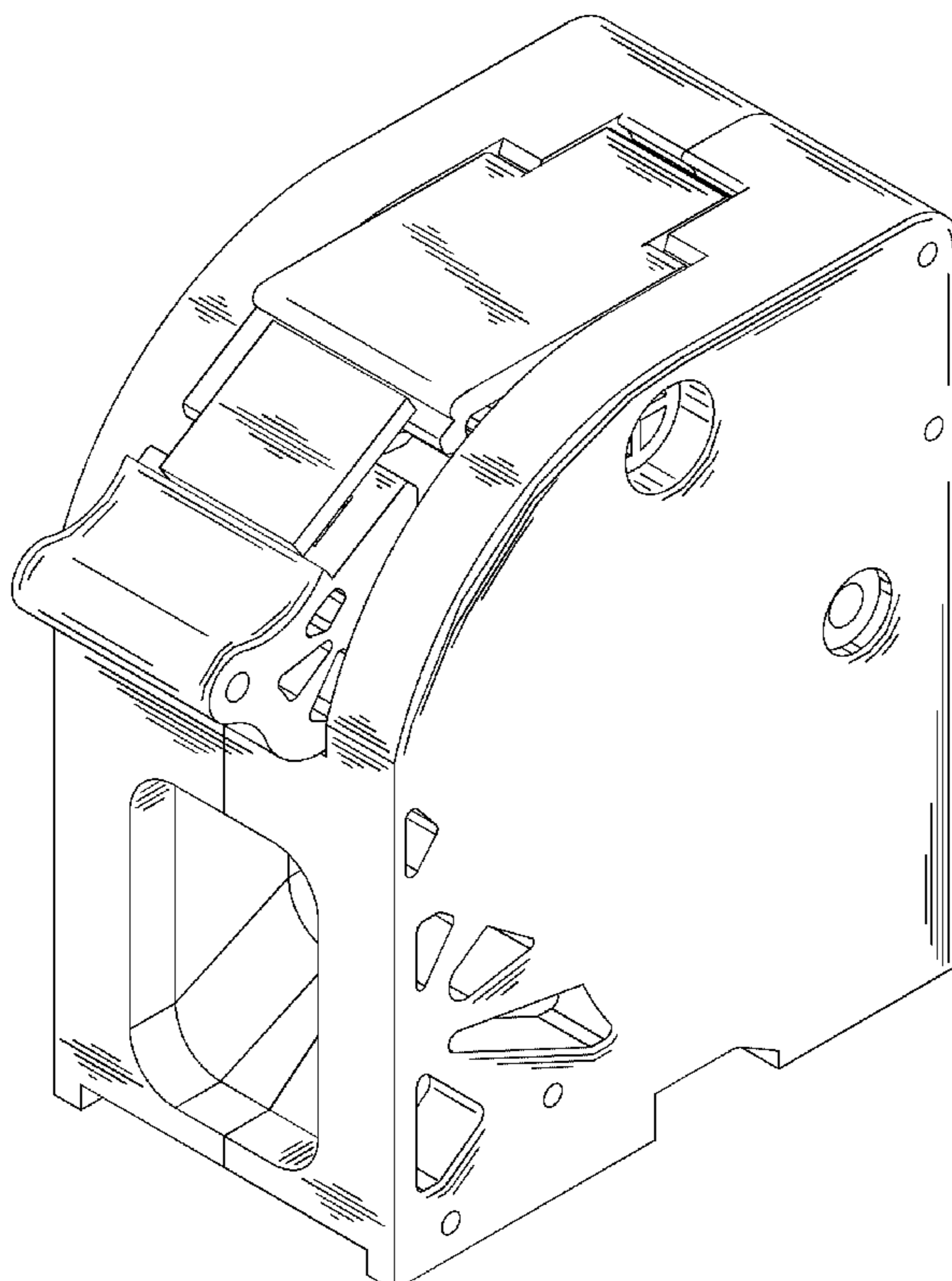
(57) **CLAIM**

The ornamental design for electrical wire connection terminal block, shown and described.

DESCRIPTION

FIG. 1 is a front side perspective view showing our new design for electrical wire connection terminal block; FIG. 2 is a rear side perspective view thereof; FIG. 3 is a front elevational view thereof; FIG. 4 is a rear elevational view thereof; FIG. 5 is a left side elevational view thereof; FIG. 6 is a right side elevational view thereof; FIG. 7 is a top view thereof; and, FIG. 8 is a bottom view thereof.

1 Claim, 8 Drawing Sheets



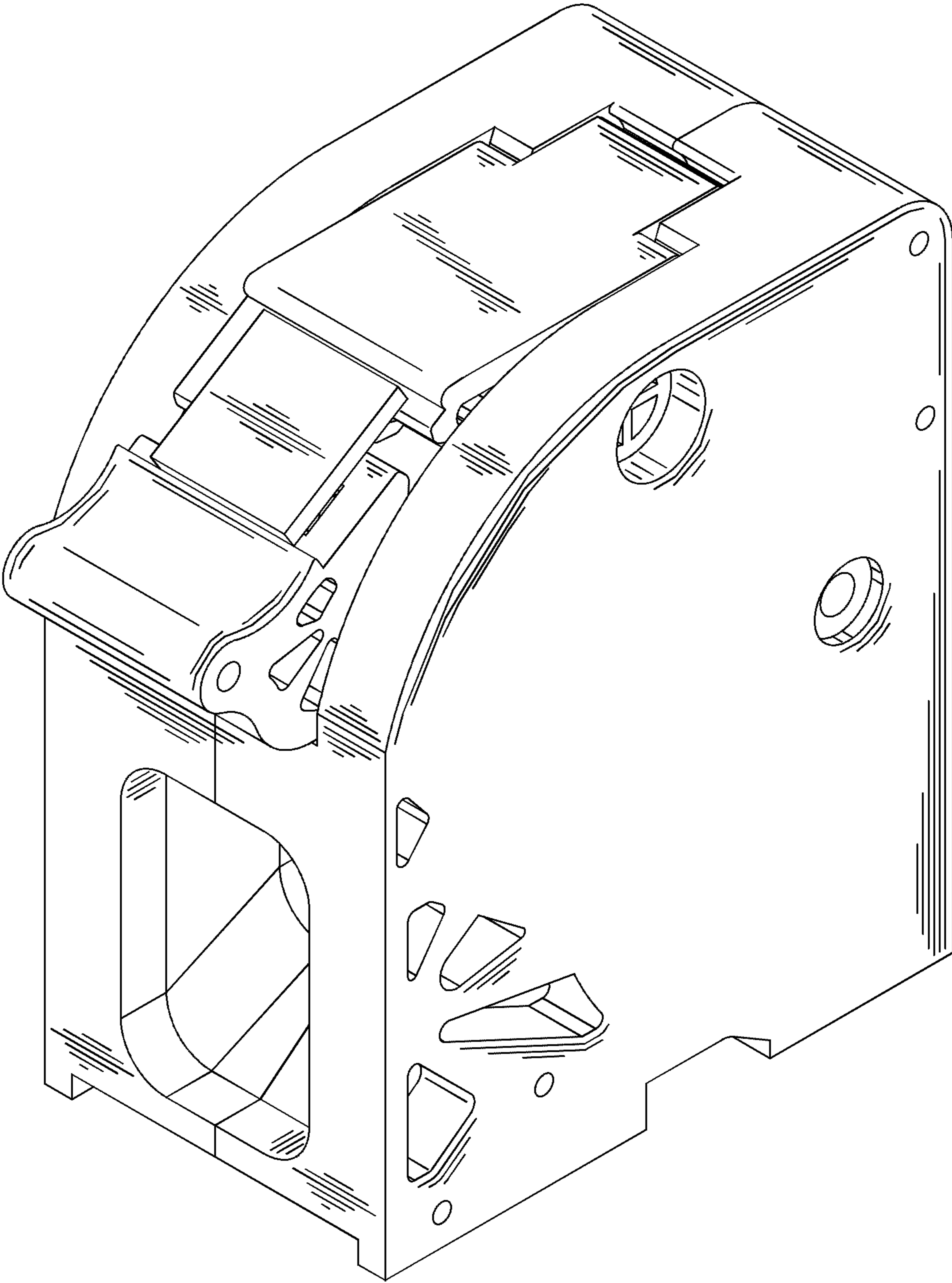


Fig. 1

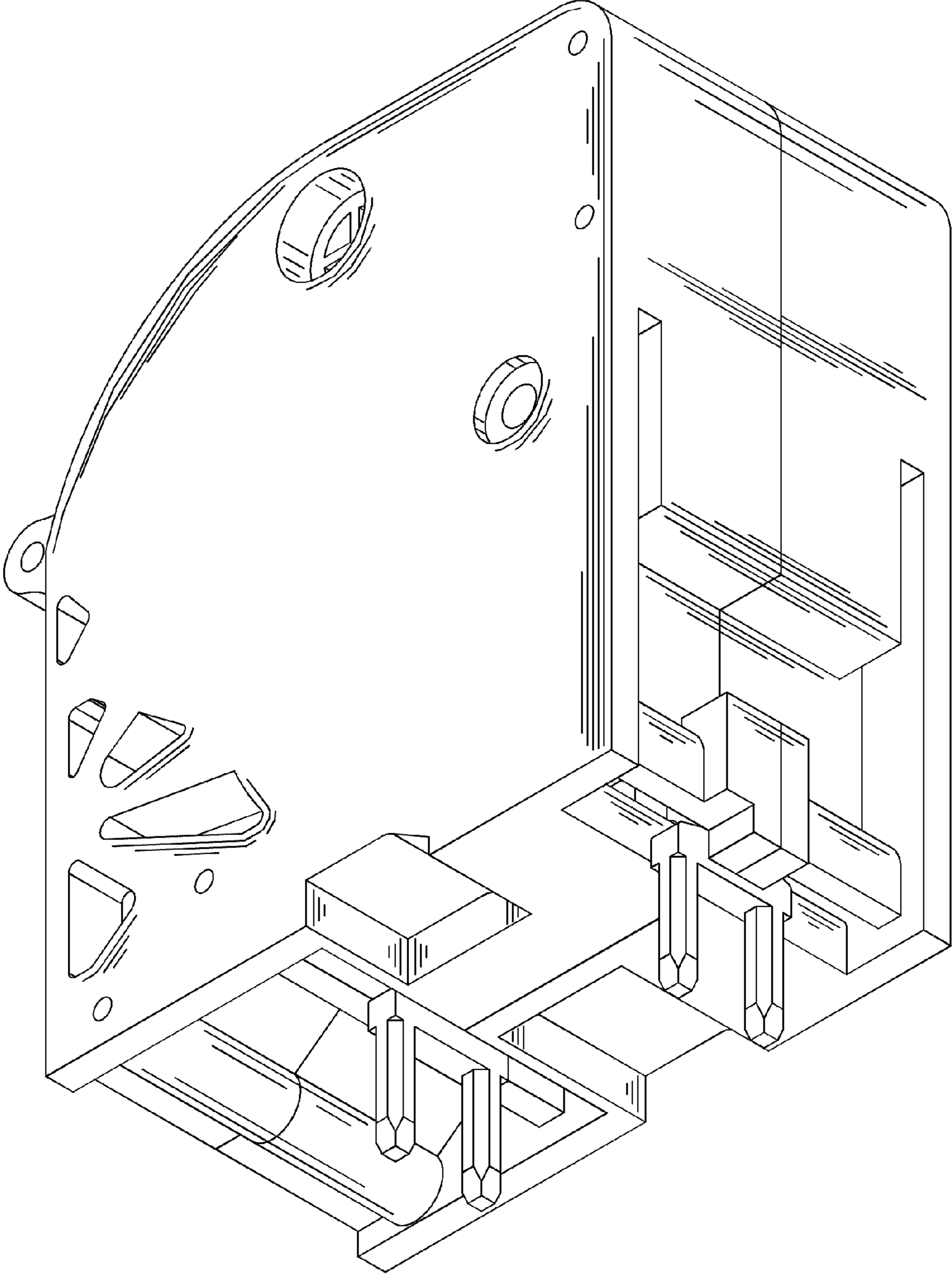


Fig. 2

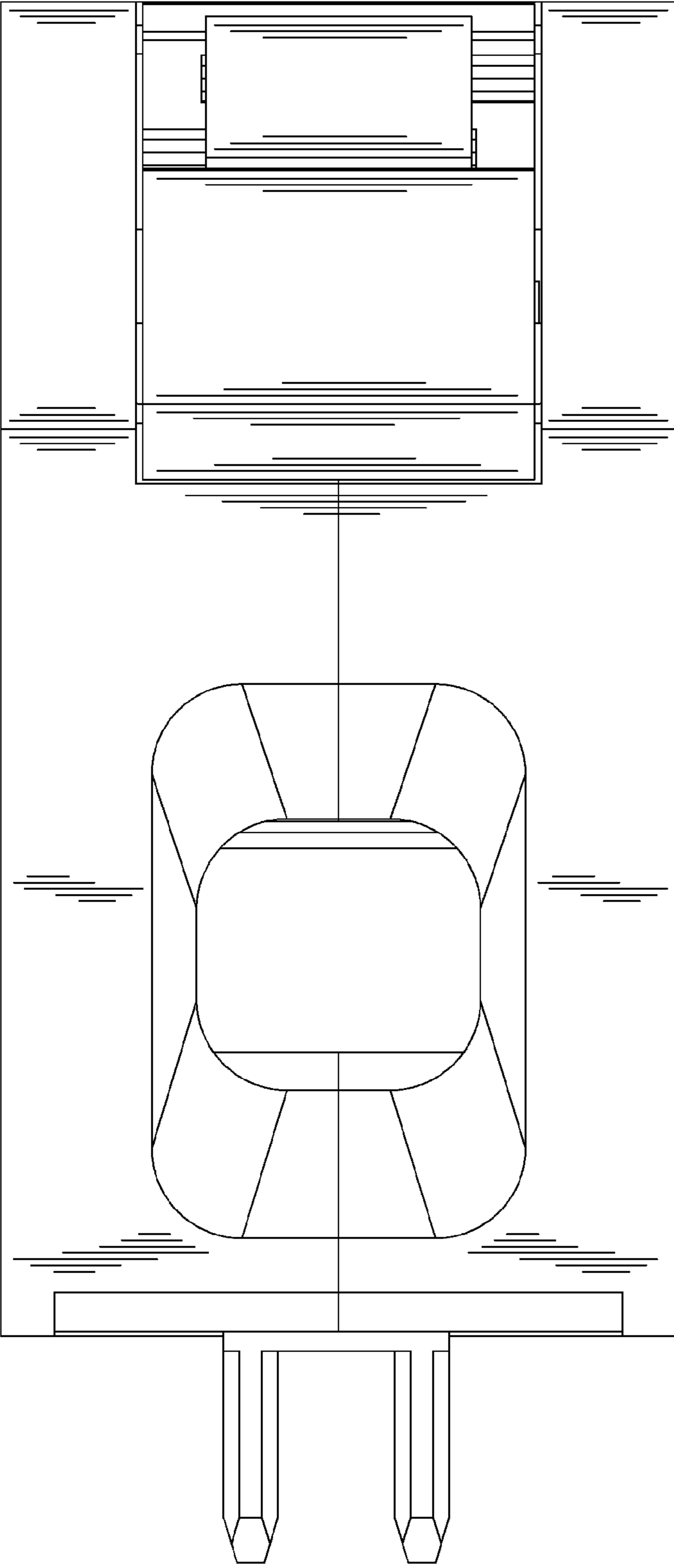


Fig. 3

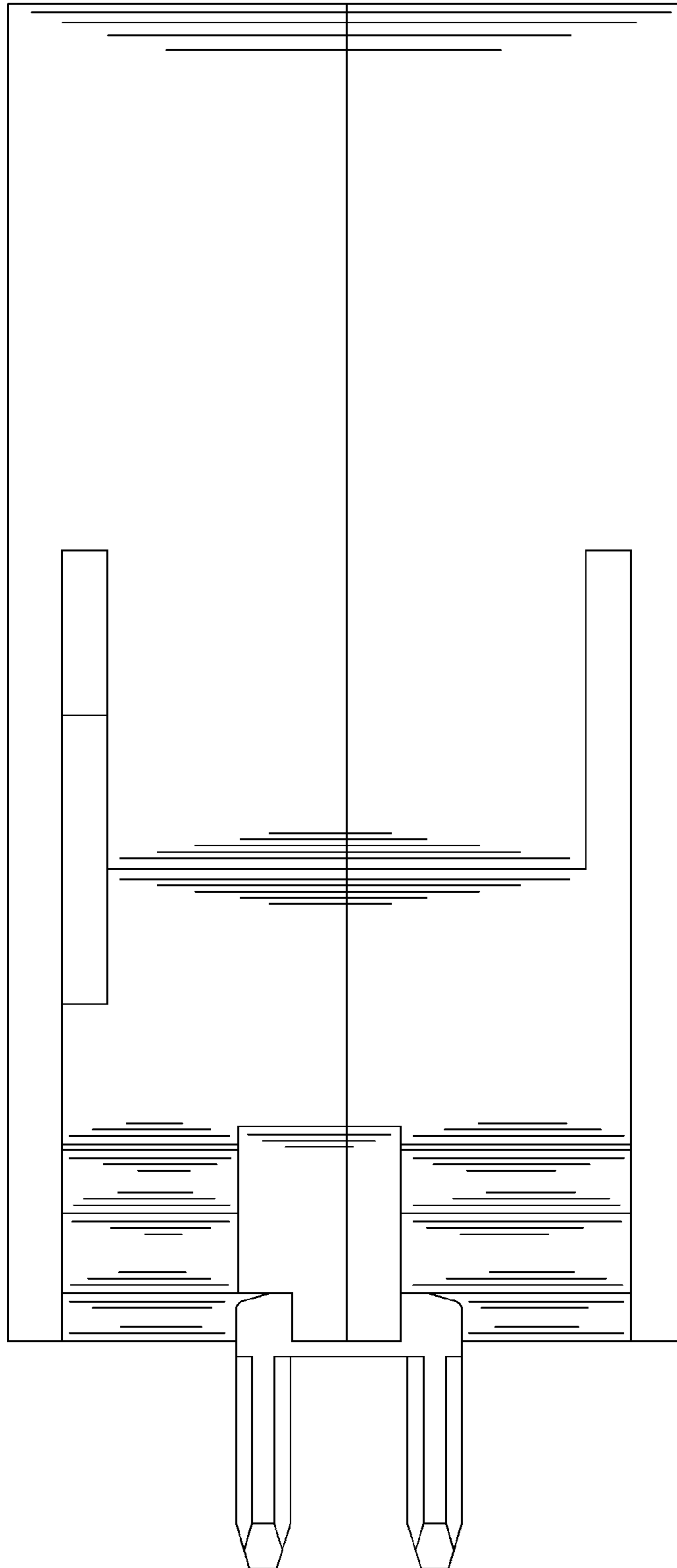


Fig. 4

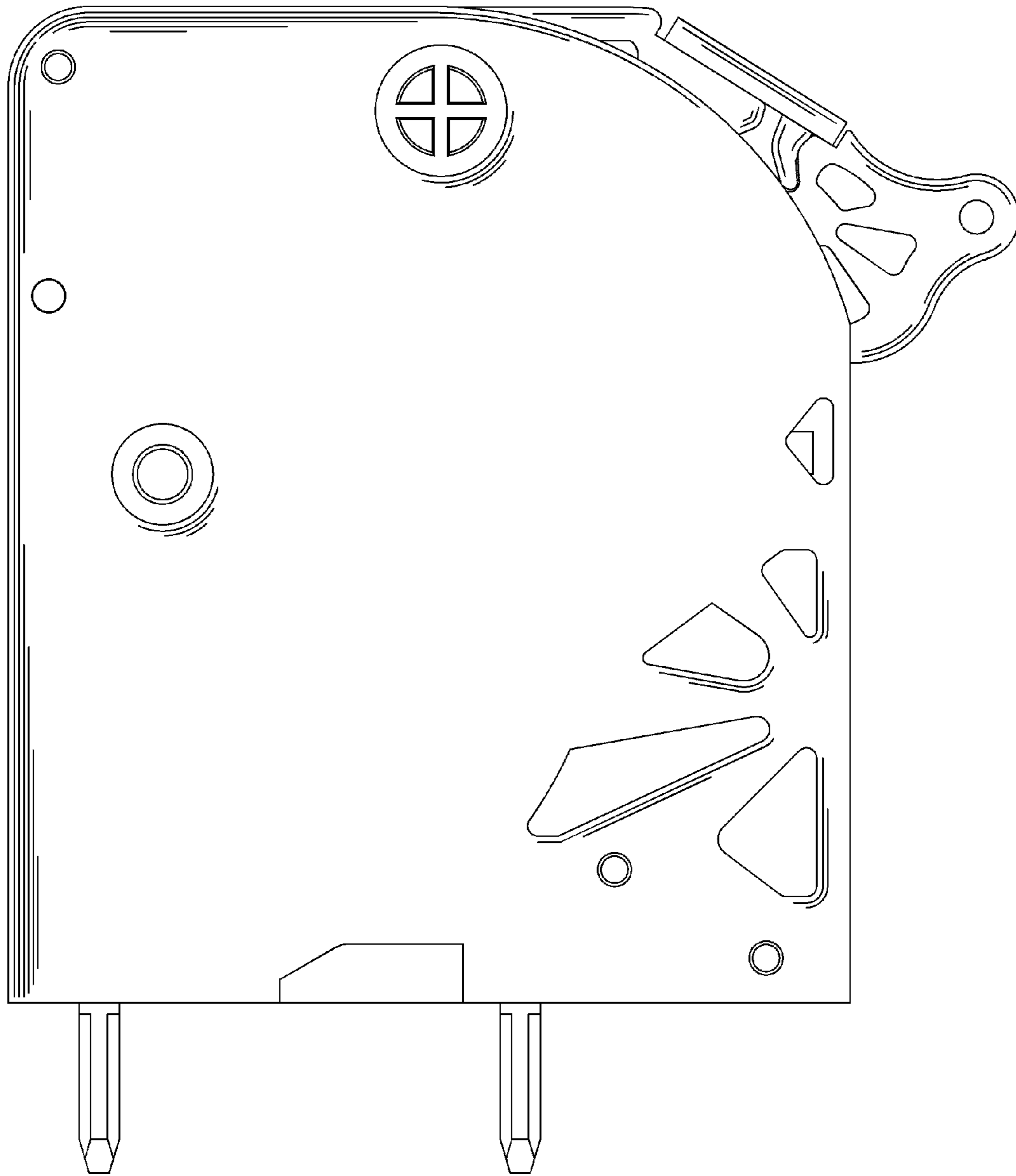


Fig. 5

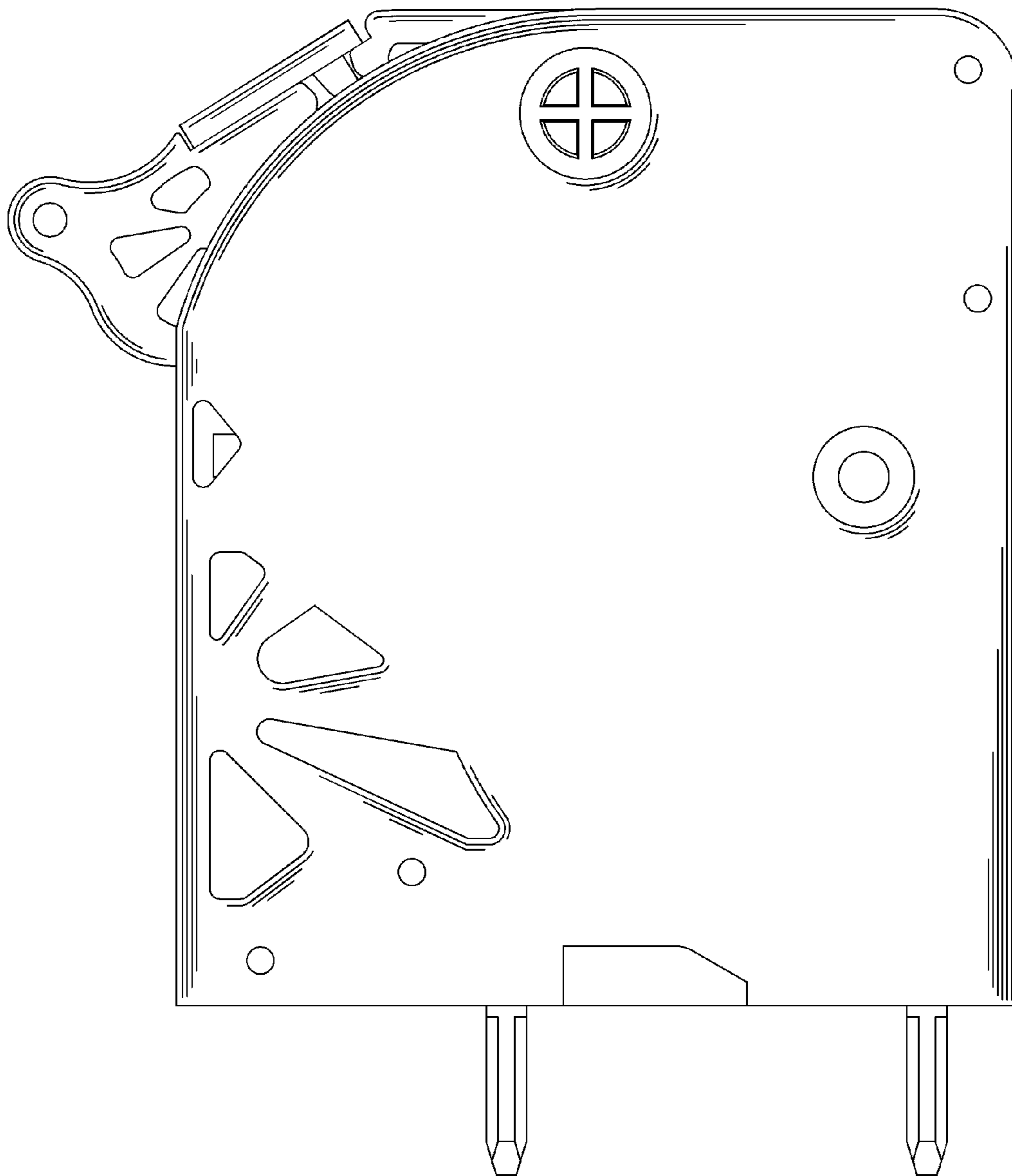


Fig. 6

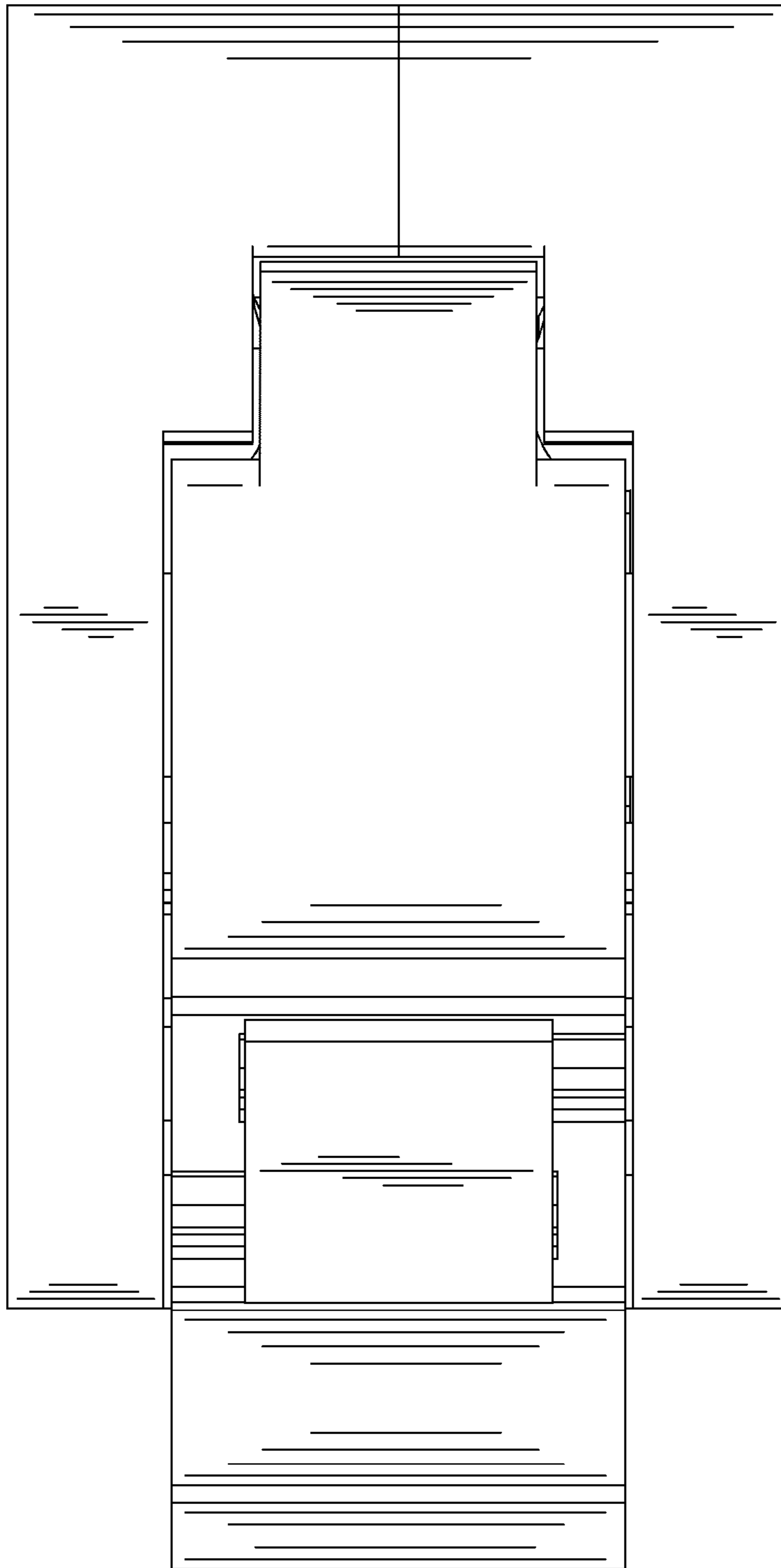


Fig. 7

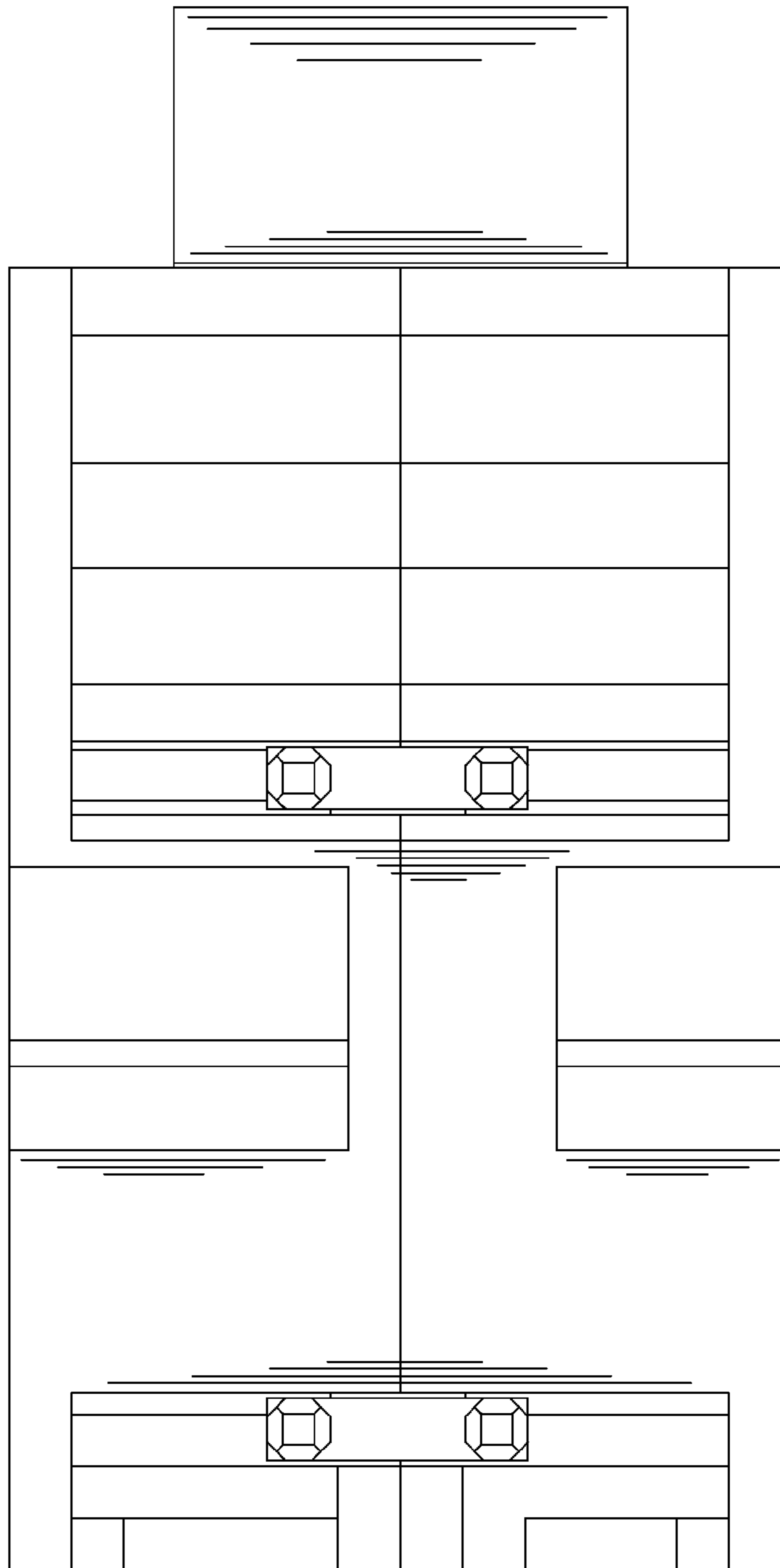


Fig. 8