



US00D694189S

(12) **United States Design Patent**  
**Ledinger et al.**

(10) **Patent No.:** **US D694,189 S**

(45) **Date of Patent:** **\*\* Nov. 26, 2013**

(54) **PLUG**

(75) Inventors: **Christoph Ledinger**, Möllersdorf (AT);  
**Marcus Eder**, Vienna (AT)

(73) Assignee: **Otto Bock Healthcare Products GmbH**, Vienna (AT)

(\*\*) Term: **14 Years**

(21) Appl. No.: **29/392,418**

(22) Filed: **May 20, 2011**

(30) **Foreign Application Priority Data**

Feb. 21, 2011 (EM) ..... 001824004

(51) **LOC (9) Cl.** ..... **13-03**

(52) **U.S. Cl.**  
USPC ..... **D13/146**

(58) **Field of Classification Search**  
USPC ..... D13/107, 133, 146, 147, 154, 184, 199;  
439/180, 246, 252, 278, 314-322, 374,  
439/378, 380, 381, 527, 529, 530, 533, 578,  
439/584-585, 668, 680, 892, 894  
See application file for complete search history.

(56) **References Cited**

**U.S. PATENT DOCUMENTS**

D188,419 S \* 7/1960 Danesi ..... D13/146  
D251,491 S \* 4/1979 Snyder et al. .... D13/146  
D252,082 S \* 6/1979 Voelkert ..... D13/146  
D334,172 S \* 3/1993 Wilcoxon ..... D13/133  
D335,122 S \* 4/1993 Hughes ..... D13/146  
D412,312 S \* 7/1999 Myers ..... D13/146

D472,523 S \* 4/2003 Hansen ..... D13/146  
D559,785 S \* 1/2008 Tosetti ..... D13/147  
D560,610 S \* 1/2008 McCoy ..... D13/146  
D639,743 S \* 6/2011 Smith et al. .... D13/146  
D639,744 S \* 6/2011 Smith et al. .... D13/146  
D644,609 S \* 9/2011 Marroquin ..... D13/147

**FOREIGN PATENT DOCUMENTS**

DE M9508141 3/1996

**OTHER PUBLICATIONS**

Photographs of plug sold by JST, part Nos. 03T-JWPF-VLSE-S and 03R-JWPF-VSLE-S, first used by Otto Bock HealthCare in 2009.

\* cited by examiner

*Primary Examiner* — Daniel Bui

(74) *Attorney, Agent, or Firm* — Holland & Hart LLP

(57) **CLAIM**

The ornamental design for a plug, as shown and described.

**DESCRIPTION**

FIG. 1 is a perspective view of a plug according to the present invention;

FIG. 2 is a right side view thereof;

FIG. 3 is a left side view thereof;

FIG. 4 is a top view thereof;

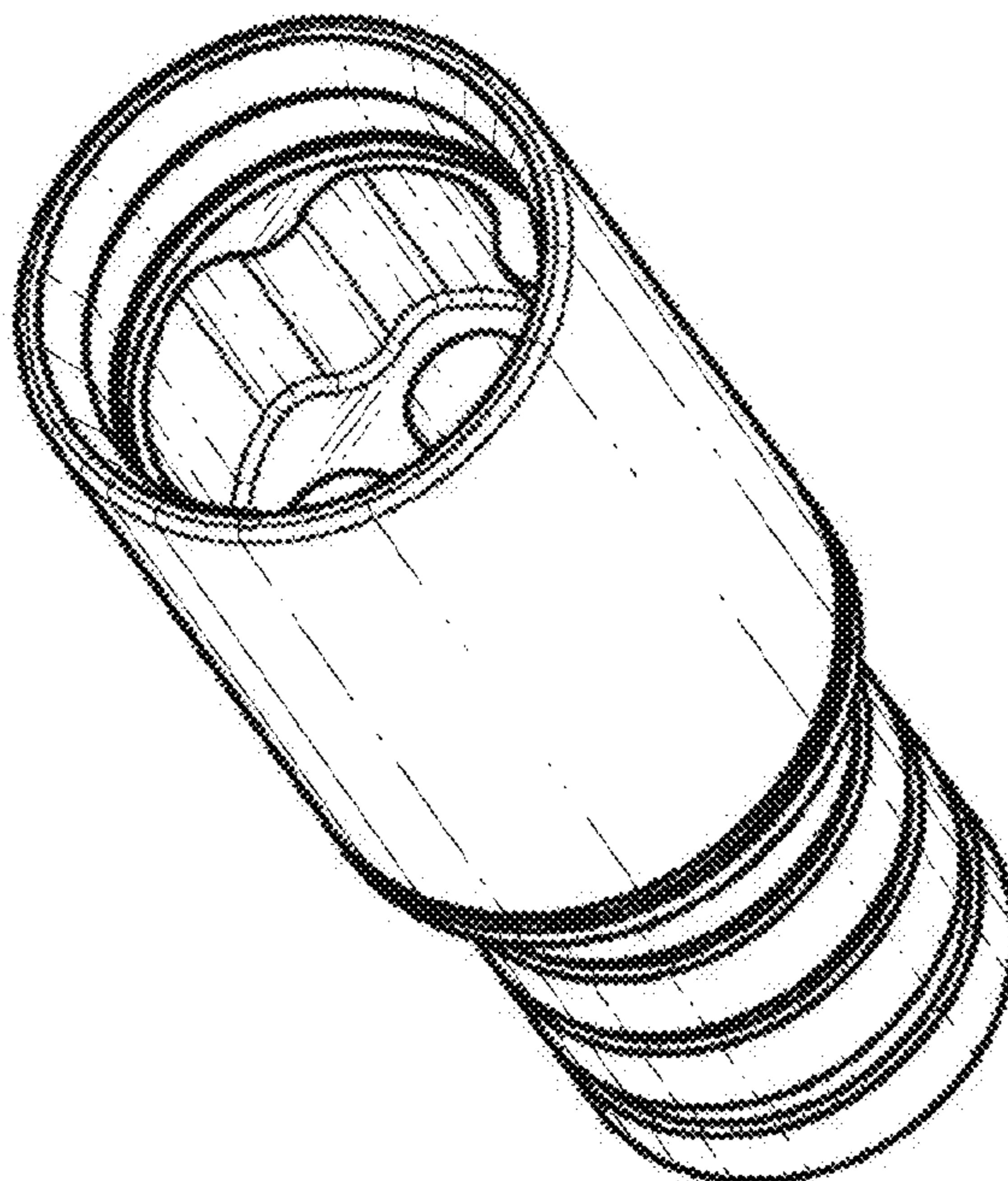
FIG. 5 is a bottom view thereof;

FIG. 6 is a front view thereof; and,

FIG. 7 is a rear view thereof.

The broken lines in the drawing views are included for the purpose of illustrating environment and form no part of the claimed design.

**1 Claim, 2 Drawing Sheets**



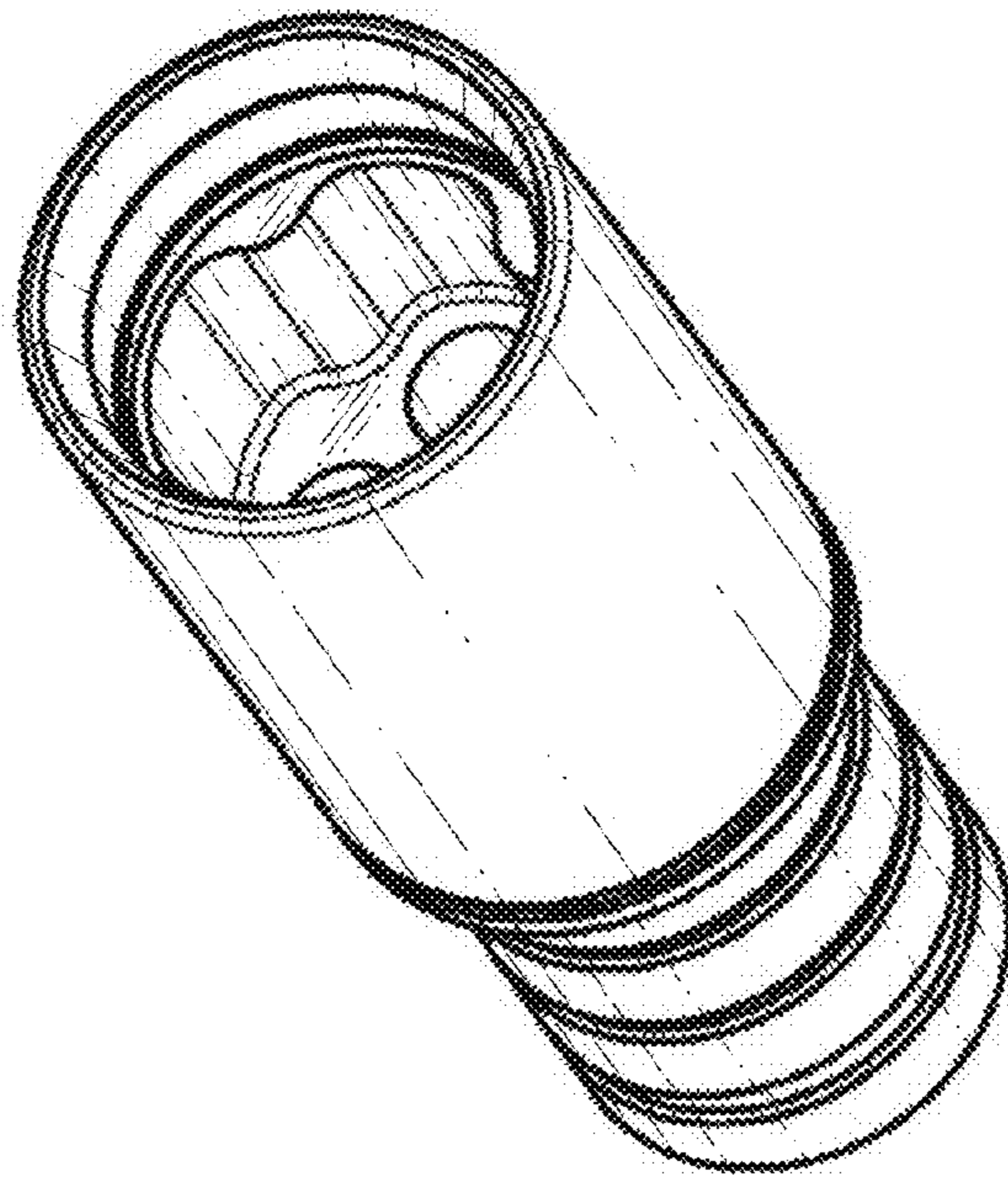


FIG. 1

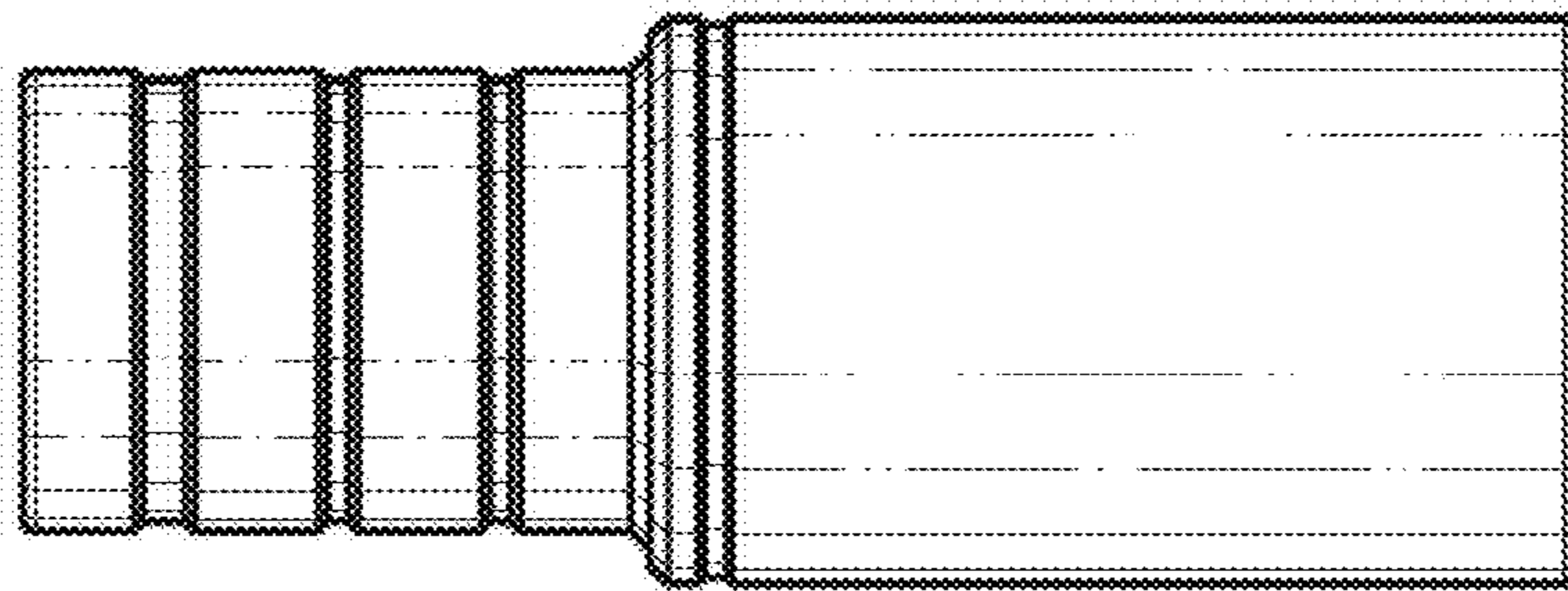


FIG. 2

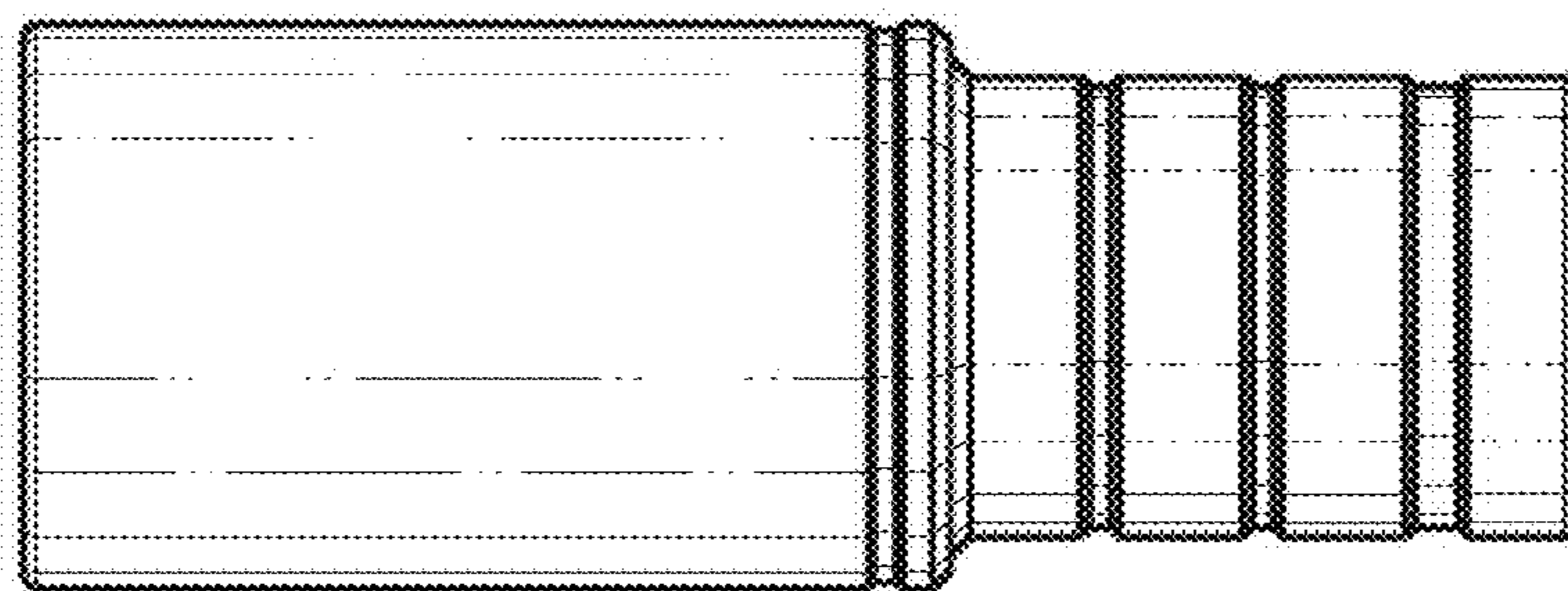
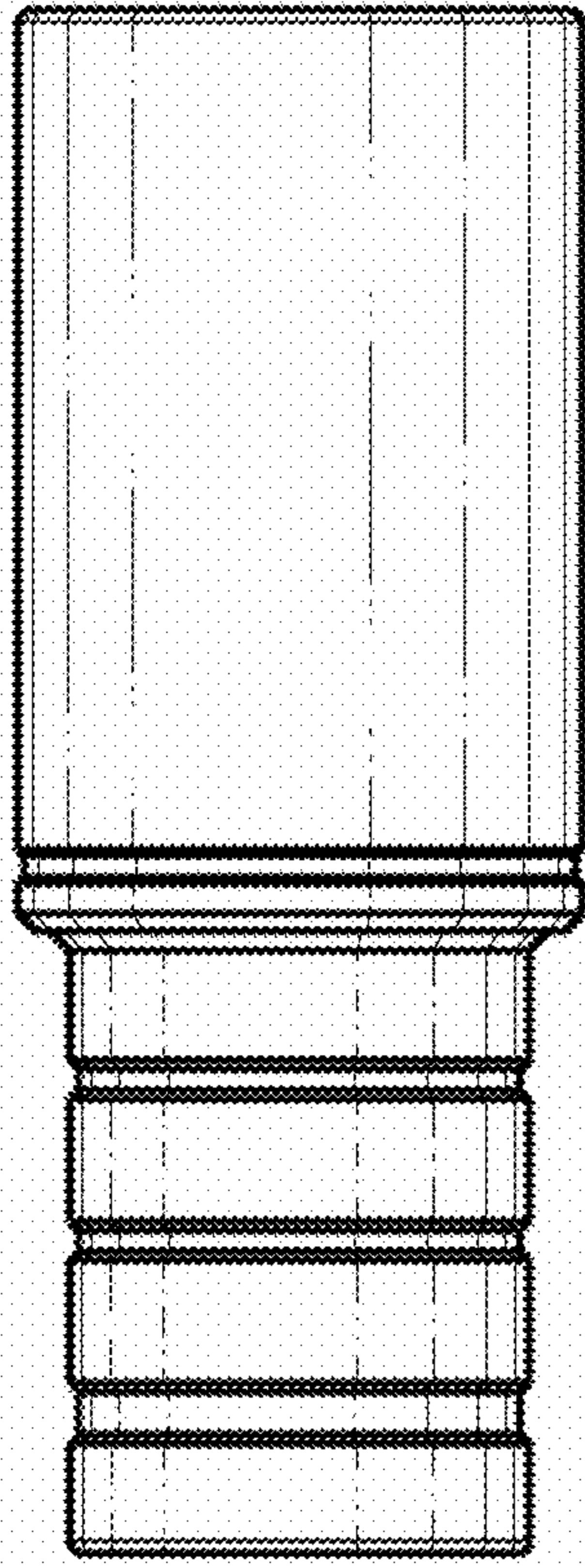
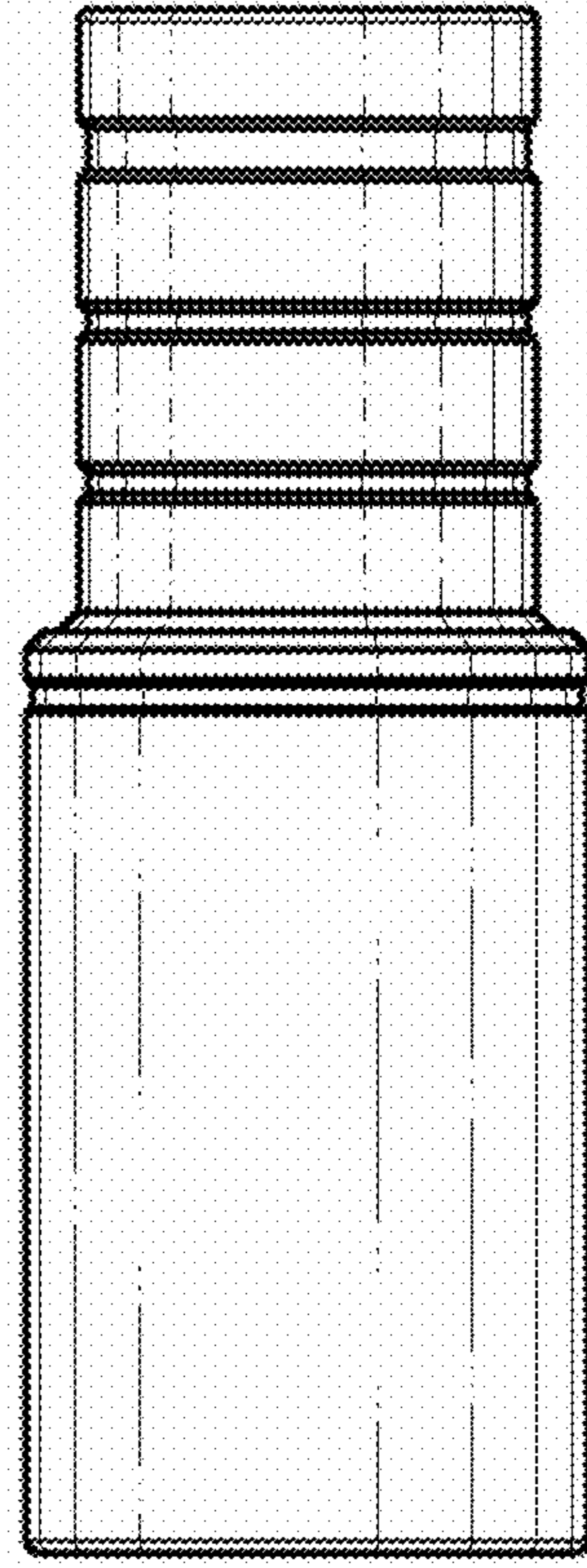


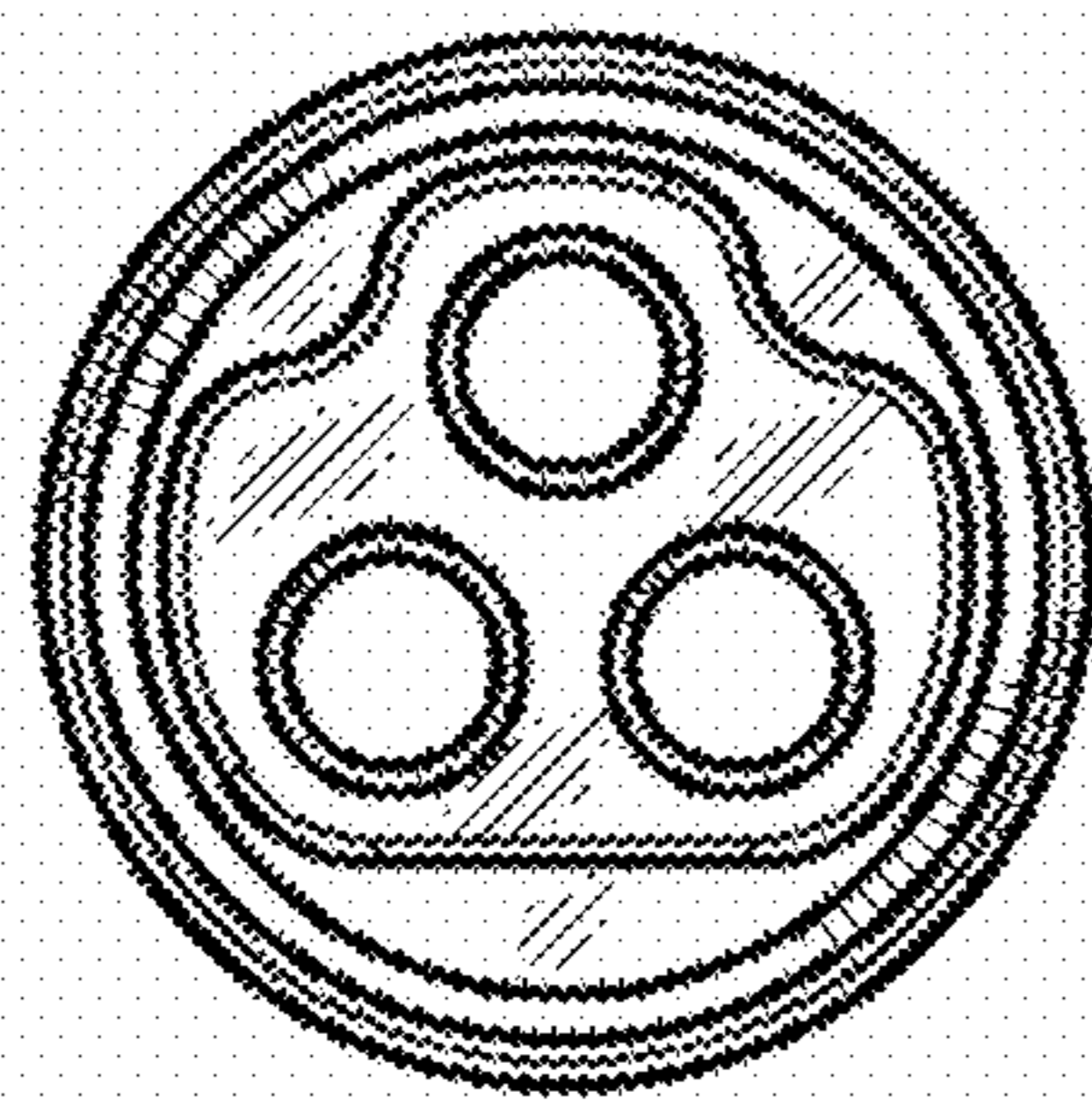
FIG. 3



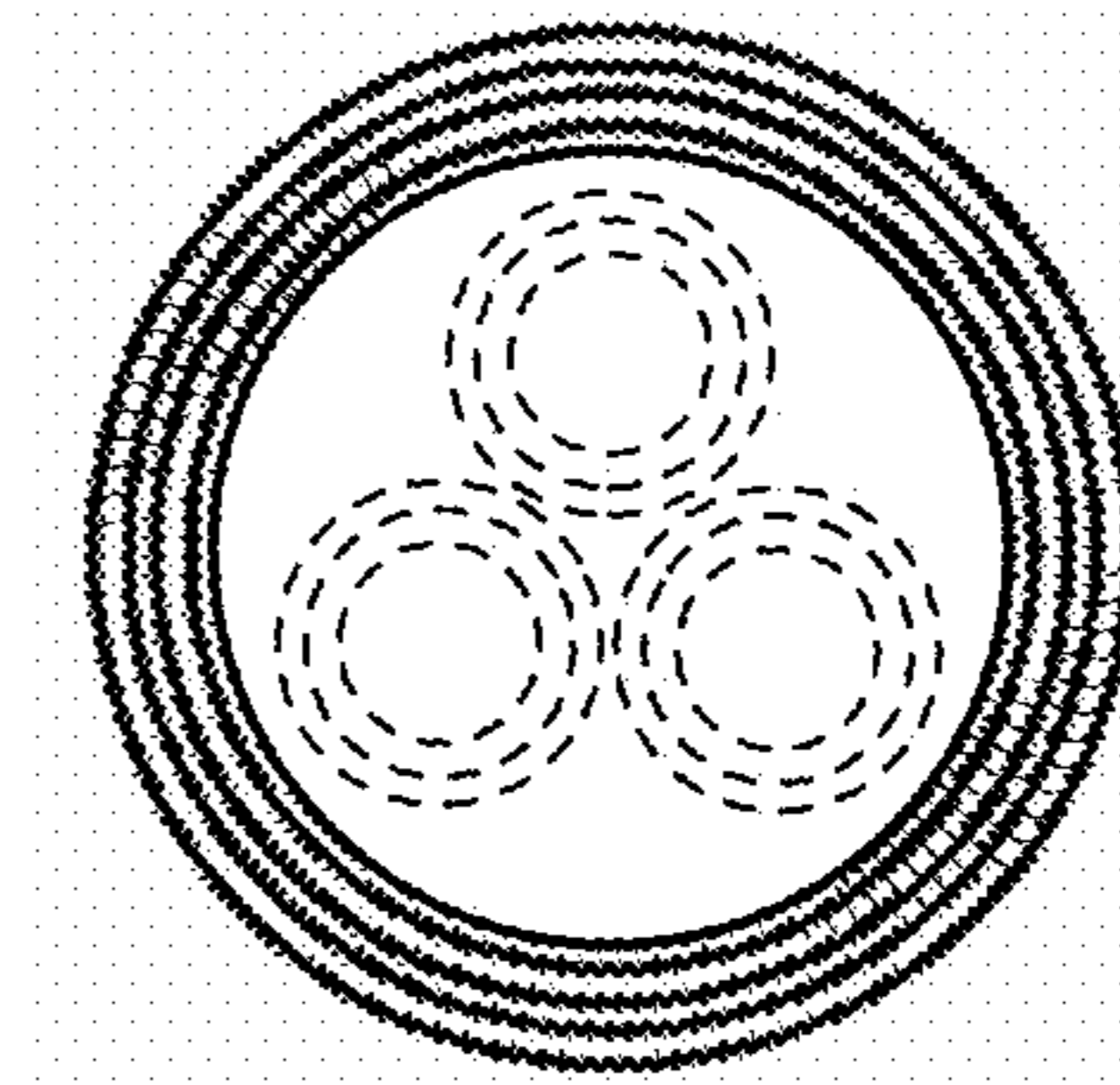
**FIG. 4**



**FIG. 5**



**FIG. 6**



**FIG. 7**