



US00D694187S

(12) **United States Design Patent**
Kasai

(10) **Patent No.:** **US D694,187 S**

(45) **Date of Patent:** **** Nov. 26, 2013**

(54) **CONNECTOR**

(75) Inventor: **Takamitsu Kasai**, Tokyo (JP)

(73) Assignee: **Sony Corporation**, Tokyo (JP)

(**) Term: **14 Years**

(21) Appl. No.: **29/371,828**

(22) Filed: **Oct. 19, 2011**

(30) **Foreign Application Priority Data**

Apr. 22, 2011 (CN) 2011 3 0086173

(51) **LOC (9) Cl.** **13-03**

(52) **U.S. Cl.**
USPC **D13/133**

(58) **Field of Classification Search**
USPC D13/133, 146, 147, 154, 184, 199;
439/79, 248, 258, 274, 350, 353, 358,
439/447, 660, 607.01, 607.02, 607.04,
439/607.05, 607.17, 607.25, 607.34,
439/607.53, 677, 680, 682, 686
See application file for complete search history.

(56) **References Cited**

U.S. PATENT DOCUMENTS

D298,313 S * 11/1988 De Jong D13/133
D336,467 S * 6/1993 Pooley et al. D14/433
D387,732 S * 12/1997 England et al. D13/147
D452,217 S * 12/2001 Shimojyo D13/147

D453,498 S * 2/2002 Fujita D13/147
D553,087 S * 10/2007 Ashida et al. D13/133
D557,659 S * 12/2007 Ashida et al. D13/133
D559,193 S * 1/2008 Stavoe et al. D13/154
D562,769 S * 2/2008 Ashida et al. D13/133
D584,238 S * 1/2009 Victor D13/156

* cited by examiner

Primary Examiner — Daniel Bui

(74) *Attorney, Agent, or Firm* — Rader, Fishman & Grauer PLLC

(57) **CLAIM**

The ornamental design for a connector, as shown.

DESCRIPTION

FIG. 1 is a perspective view of a connector showing my new design;
FIG. 2 is a front elevational view thereof;
FIG. 3 is a rear elevational view thereof;
FIG. 4 is a left side elevational view thereof;
FIG. 5 is a top plan view thereof;
FIG. 6 is a bottom plan view thereof;
FIG. 7 is another perspective view thereof;
FIG. 8 is a front elevational view thereof;
FIG. 9 is a rear elevational view thereof;
FIG. 10 is a left side elevational view thereof;
FIG. 11 is a top plan view thereof; and,
FIG. 12 is a bottom plan view thereof.
The broken line in the drawing view is included to show unclaimed environment only and forms no part of the claimed design.

1 Claim, 6 Drawing Sheets

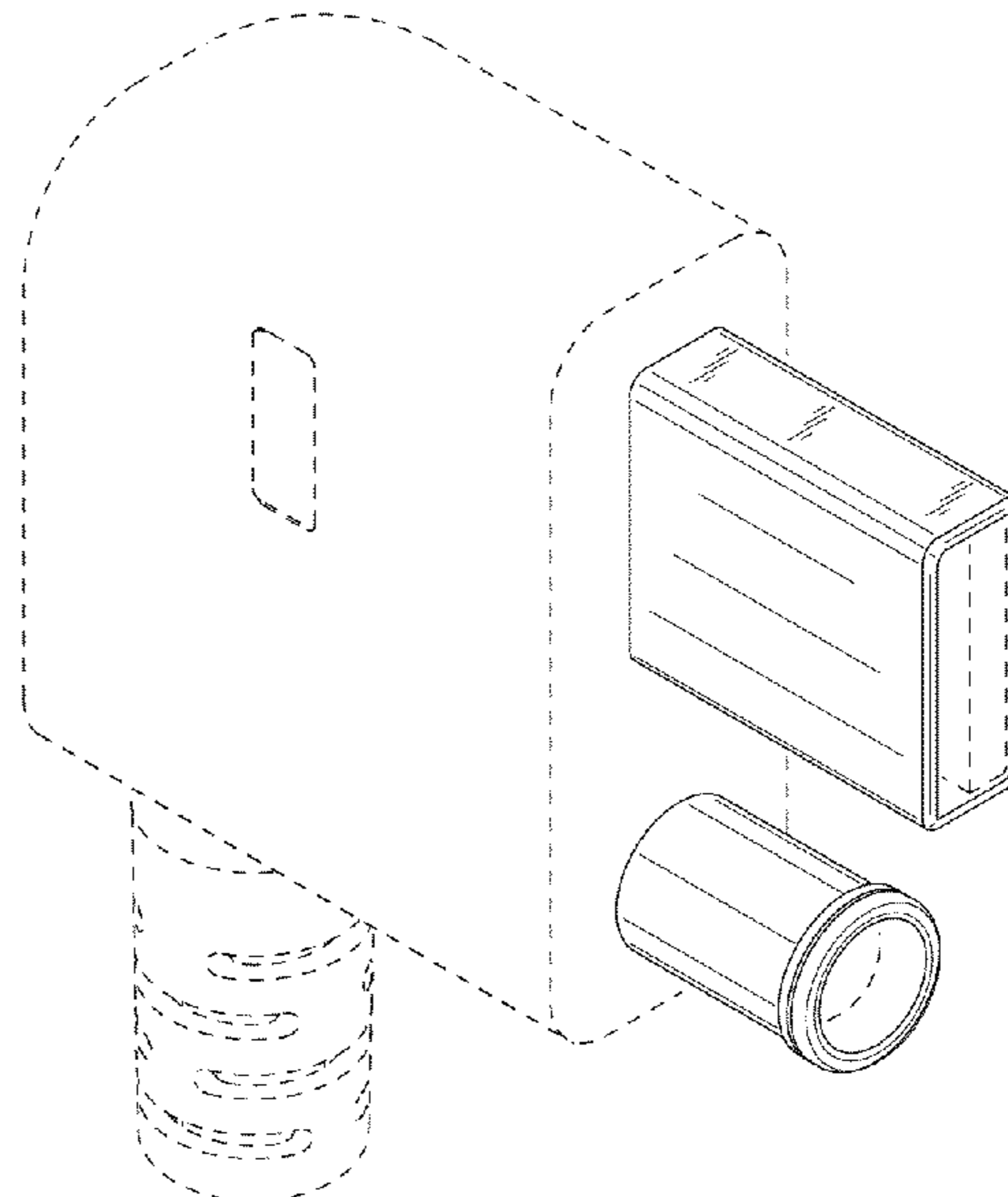
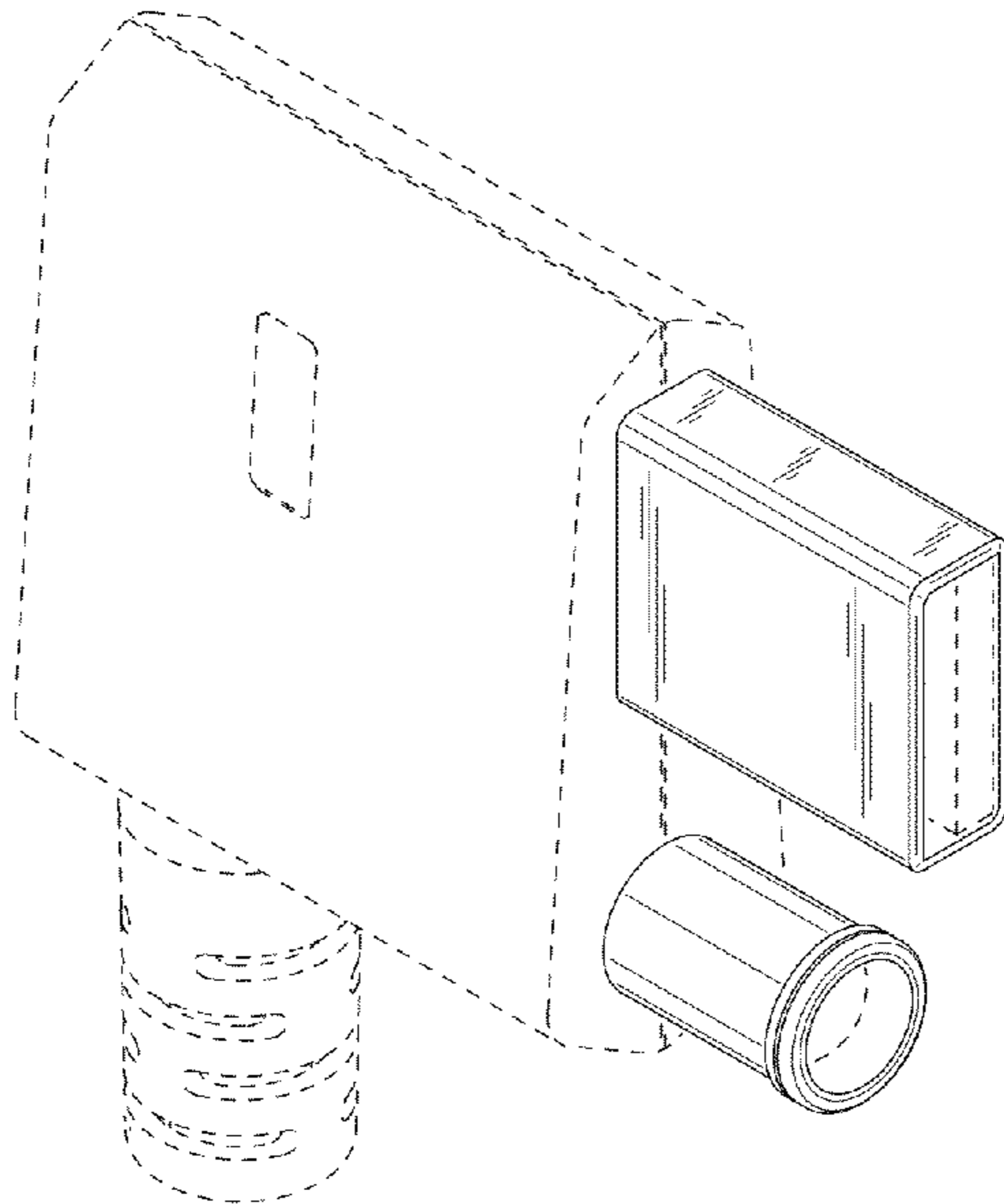


FIG.1

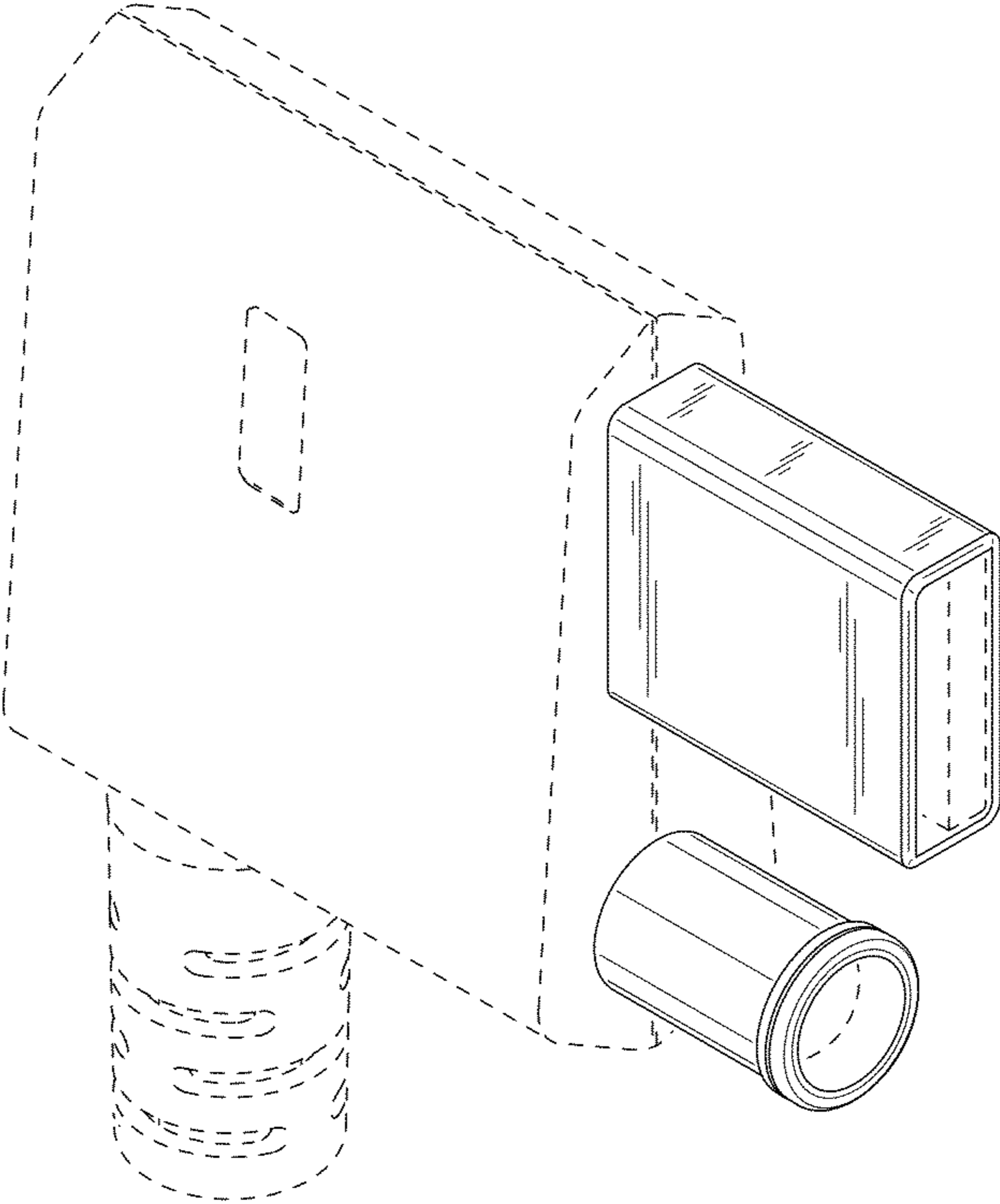


FIG.2

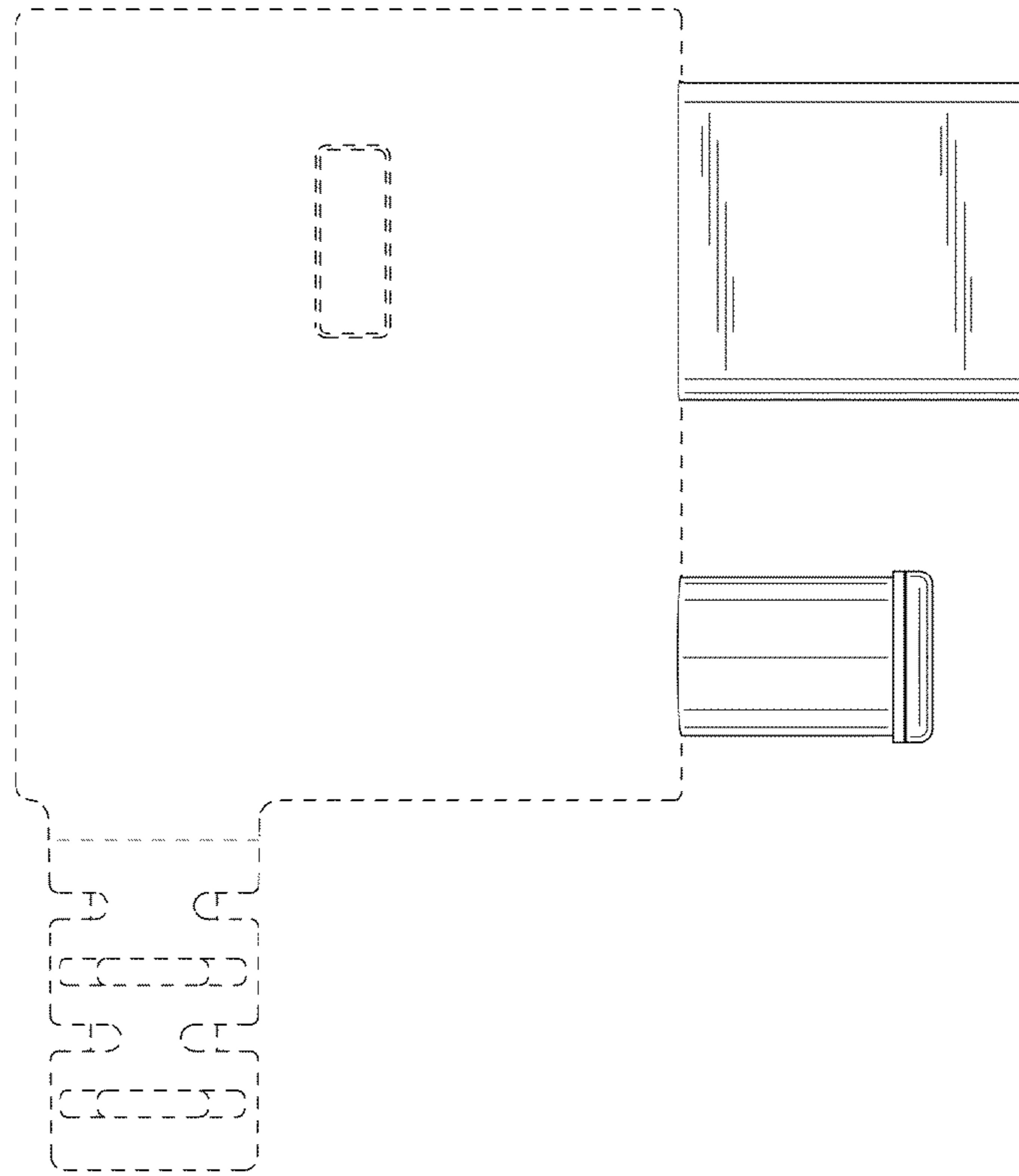


FIG.3

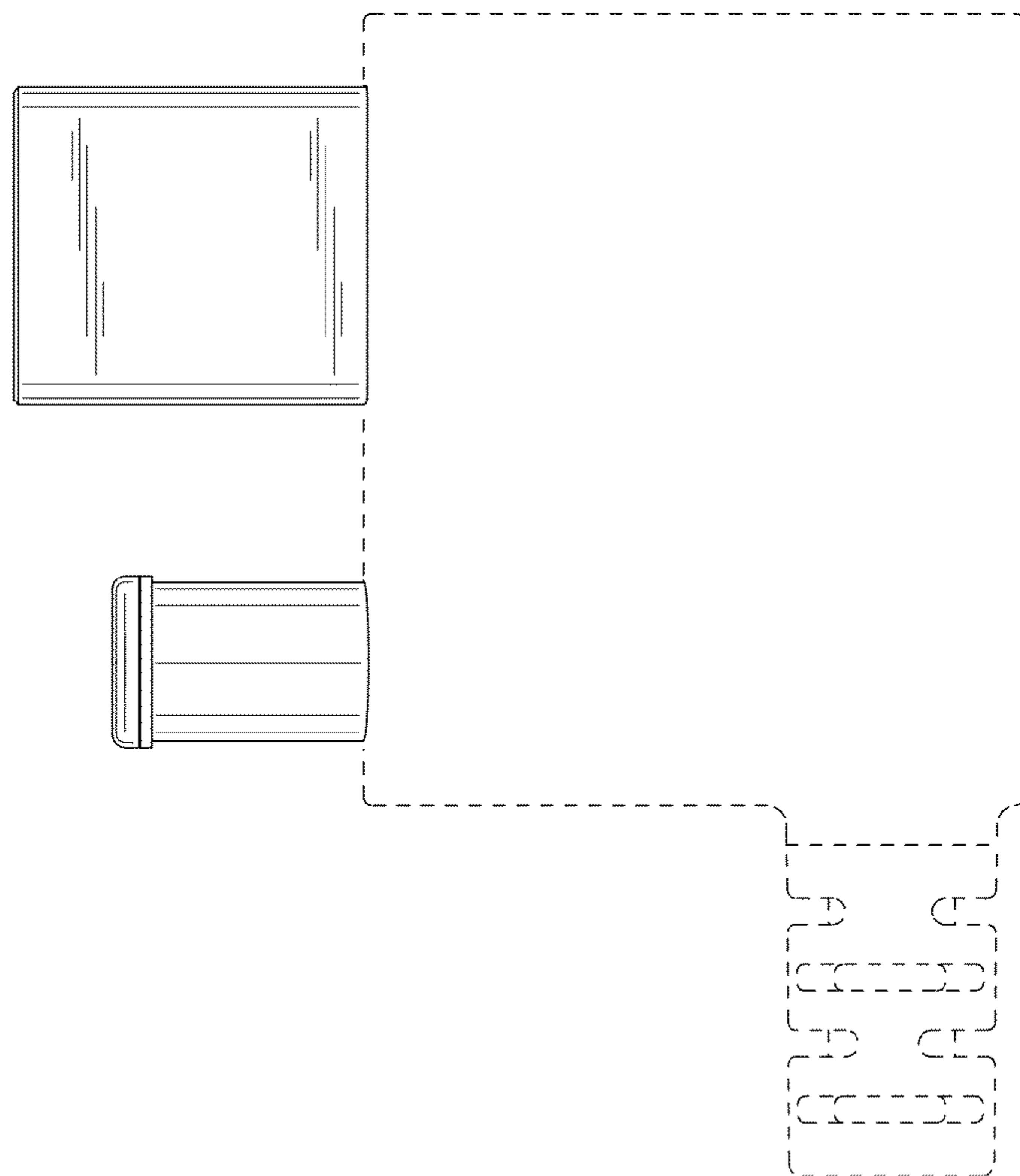


FIG.4

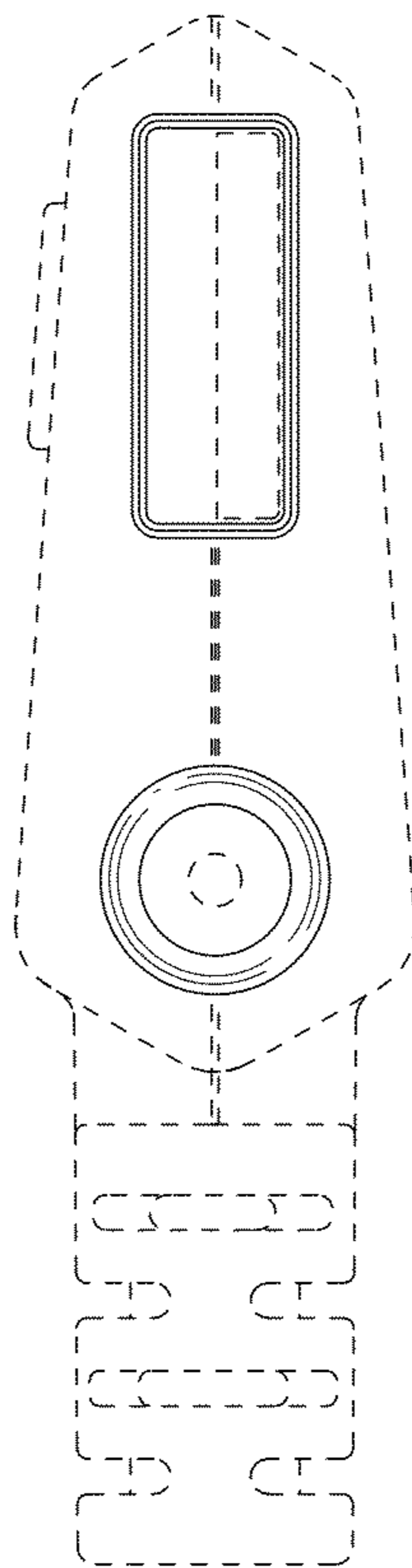


FIG.5

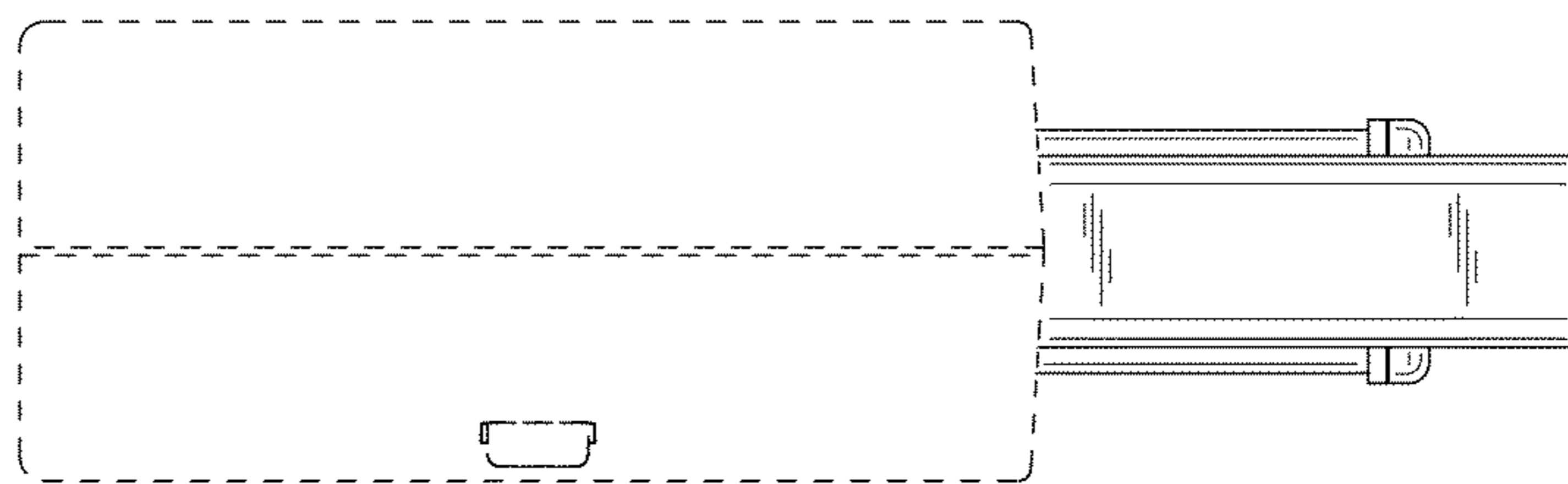


FIG.6

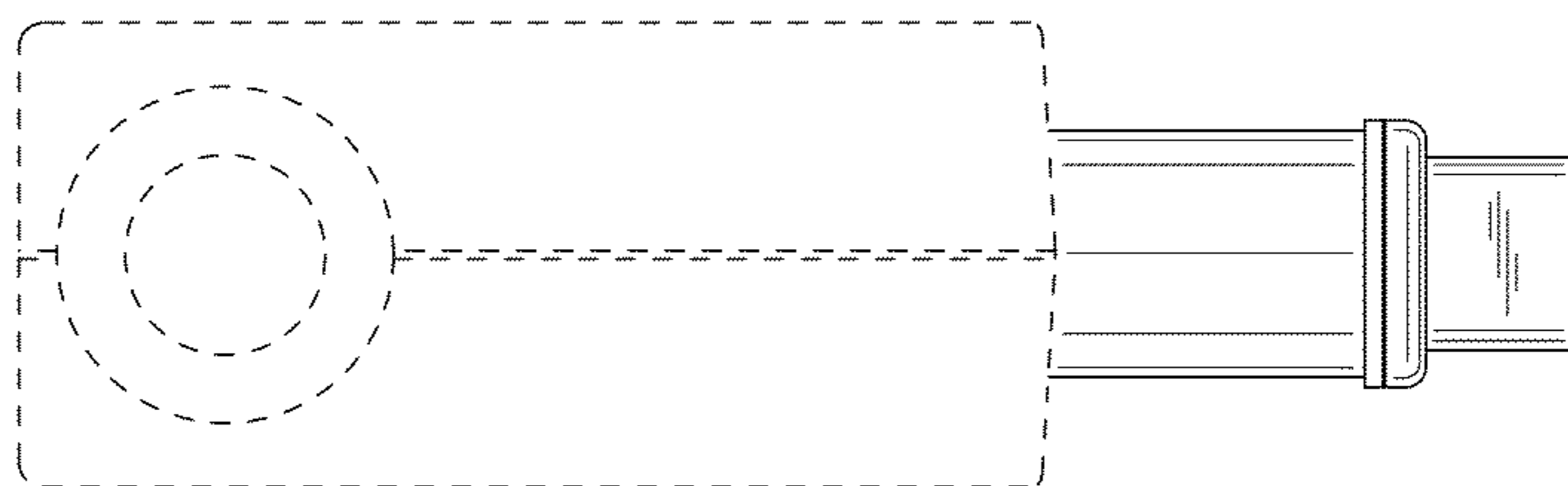


FIG.7

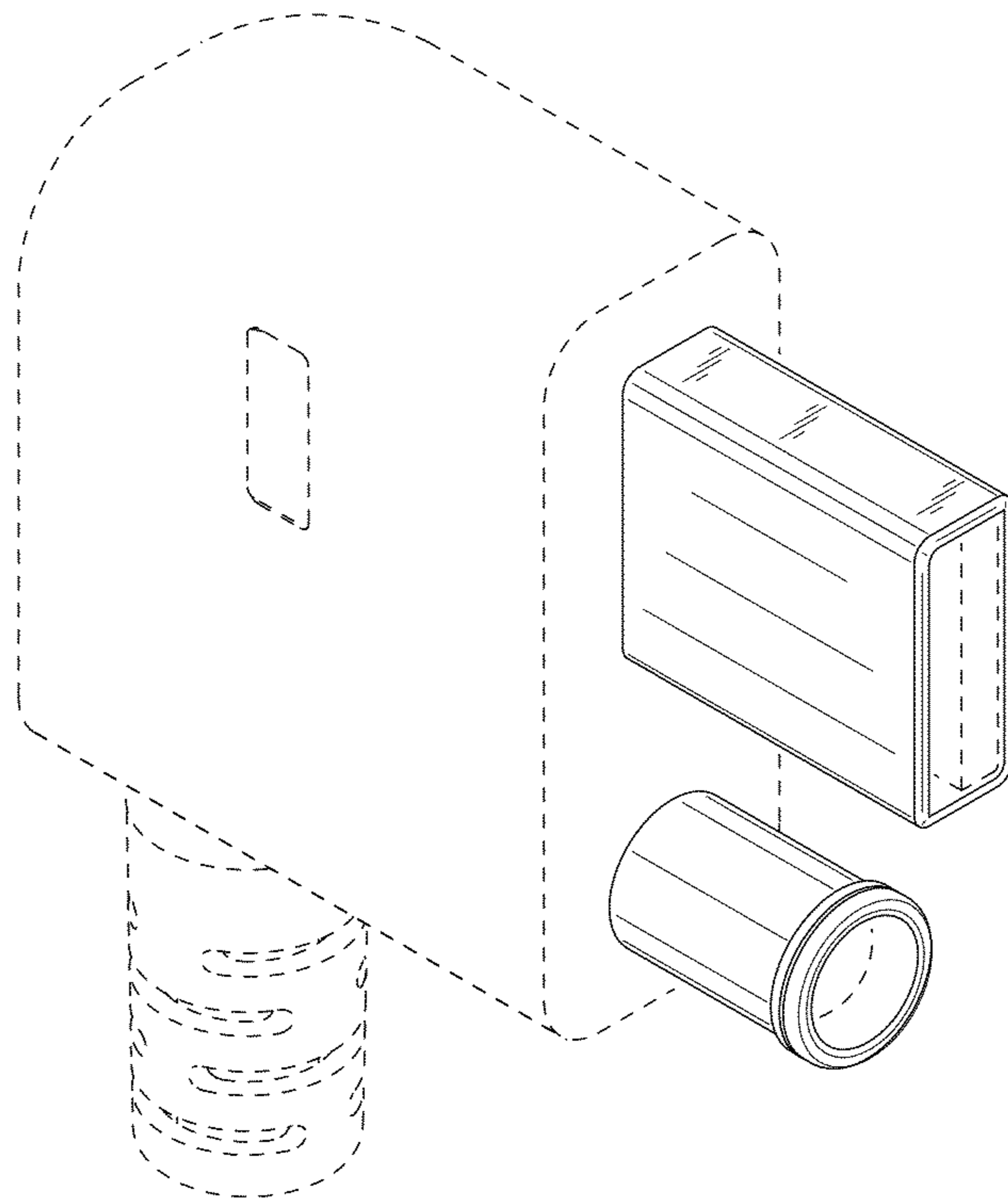


FIG.8

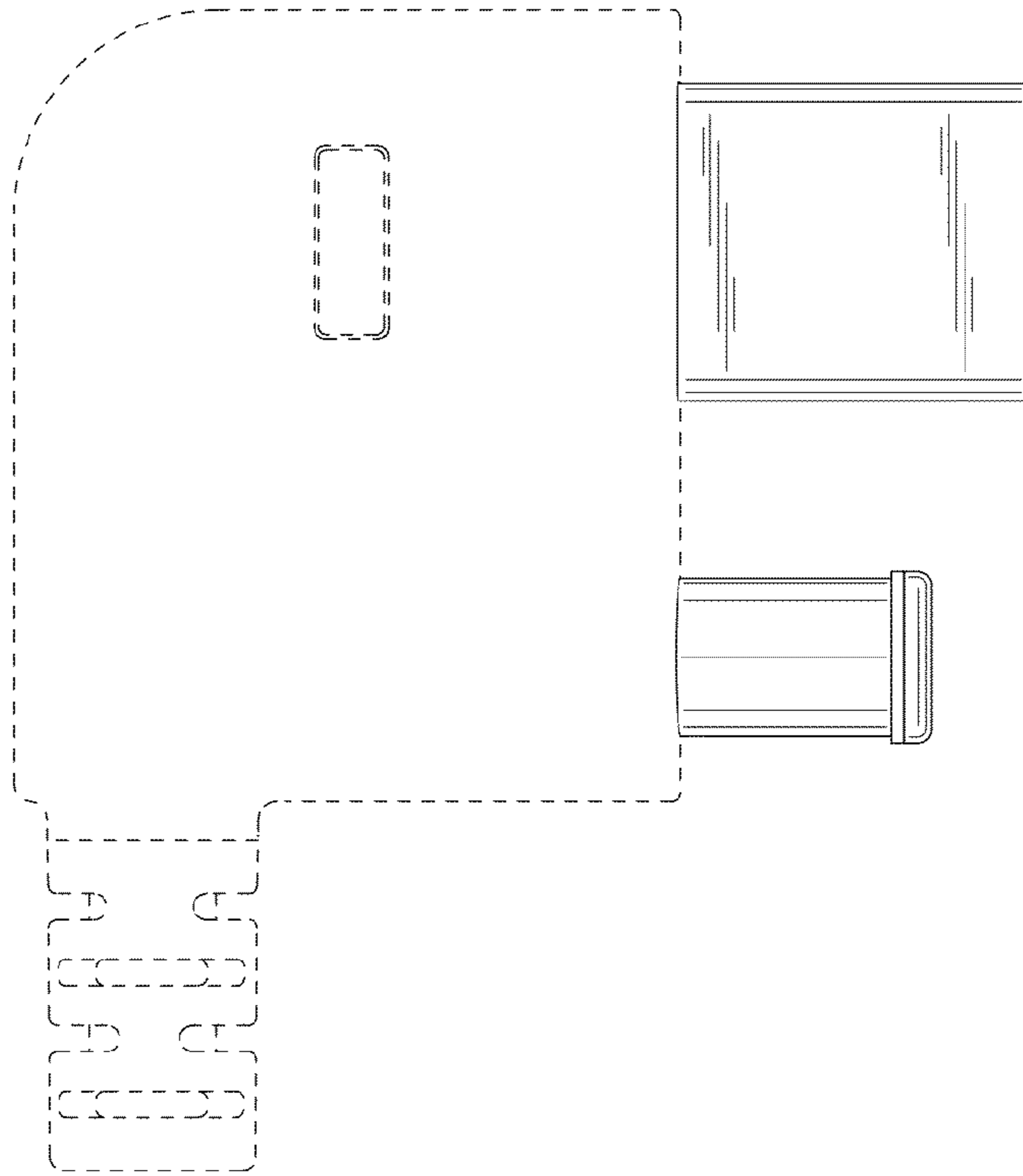


FIG.9

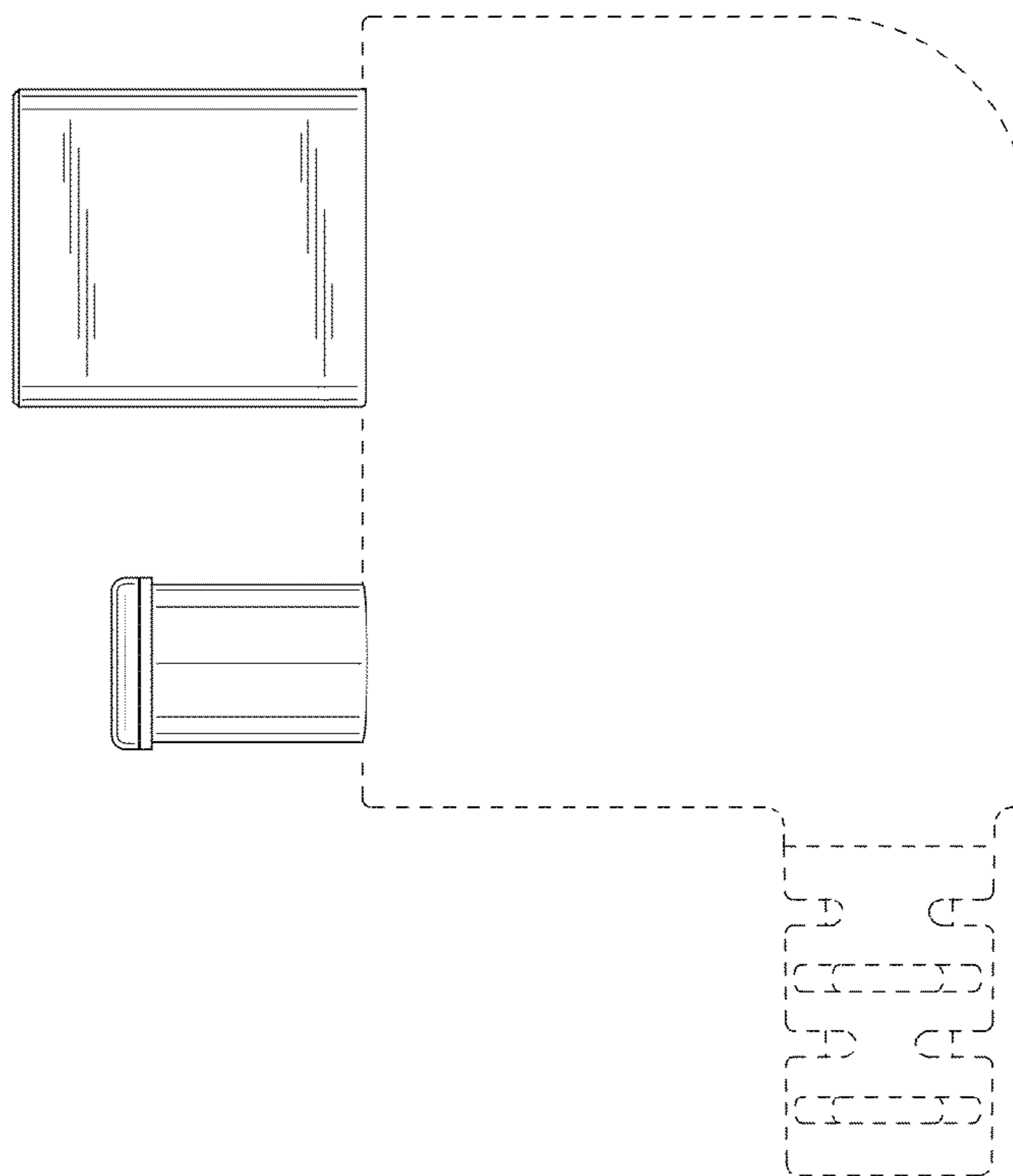


FIG.10

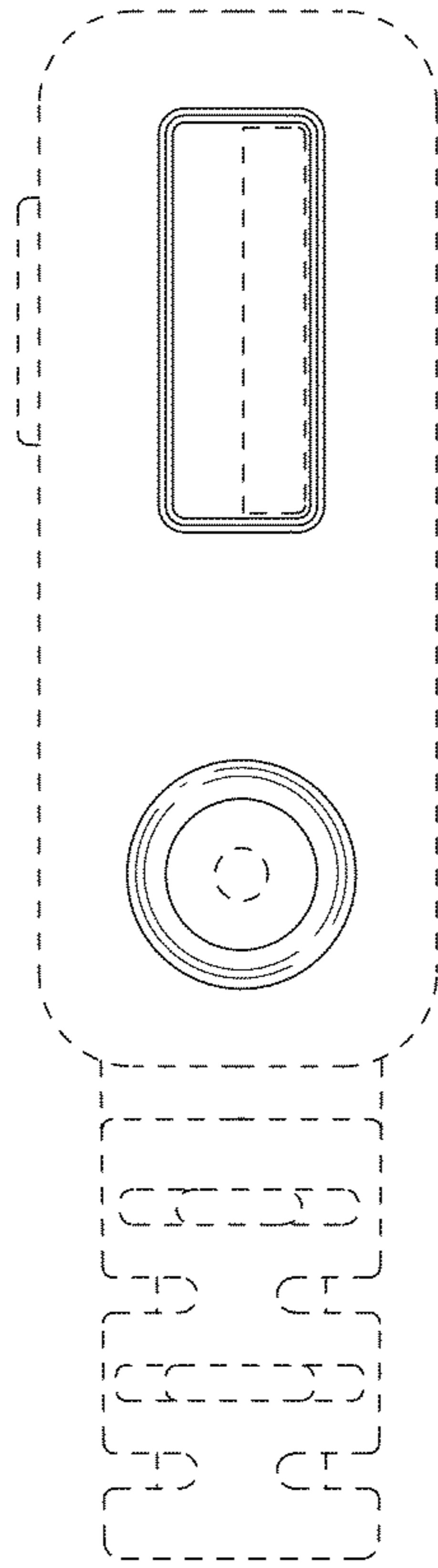


FIG.11

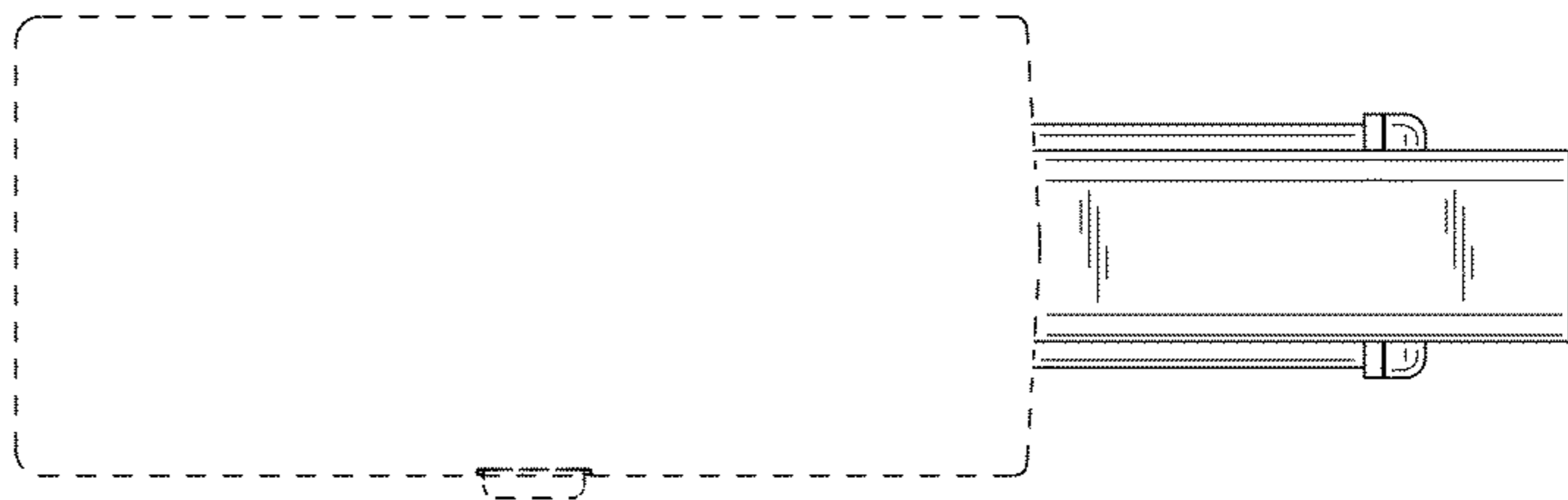


FIG.12

