

US00D694185S

(12) **United States Design Patent**
Matsuoka et al.

(10) **Patent No.:** **US D694,185 S**

(45) **Date of Patent:** **** Nov. 26, 2013**

(54) **POWER ADAPTER**

(71) Applicant: **Google Inc.**, Mountain View, CA (US)

(72) Inventors: **Yoshimichi Matsuoka**, Cupertino, CA (US); **Jeffrey Hayashida**, San Francisco, CA (US)

(73) Assignee: **Google Inc.**, Mountain View, CA (US)

(**) Term: **14 Years**

(21) Appl. No.: **29/446,213**

(22) Filed: **Feb. 21, 2013**

(51) **LOC (9) Cl.** **13-02**

(52) **U.S. Cl.**
USPC **D13/110**

(58) **Field of Classification Search**

USPC D13/110, 107, 108, 123, 133, 137.1,
D13/138.1, 199; 174/53, 54, 59, 61;
307/150, 151; 320/111, 114; 363/132,
363/140, 142, 143, 146; 439/105, 131, 166,
439/171-173, 218, 518, 692, 956;
D14/240, 251, 253, 432, 433, 434

See application file for complete search history.

(56) **References Cited**

U.S. PATENT DOCUMENTS

D338,188	S	*	8/1993	Lee et al.	D13/110
5,613,863	A	*	3/1997	Klaus et al.	439/131
5,684,689	A	*	11/1997	Hahn	363/146
6,086,395	A	*	7/2000	Lloyd et al.	439/172
D428,862	S	*	8/2000	Queffelec et al.	D13/184
D456,008	S	*	4/2002	Kawanobe et al.	D13/110
D478,310	S		8/2003	Andre et al.		
D478,546	S		8/2003	Andre et al.		
D479,823	S		9/2003	Andre et al.		
D498,462	S		11/2004	Andre et al.		
D519,922	S		5/2006	Andre et al.		
D552,034	S		10/2007	Hobson et al.		
D573,946	S		7/2008	Ledbetter et al.		
D587,192	S	*	2/2009	McGinley et al.	D13/110

(Continued)

Primary Examiner — Derrick Holland

(74) *Attorney, Agent, or Firm* — Lerner, David, Littenberg, Krumholz & Mentlik, LLP

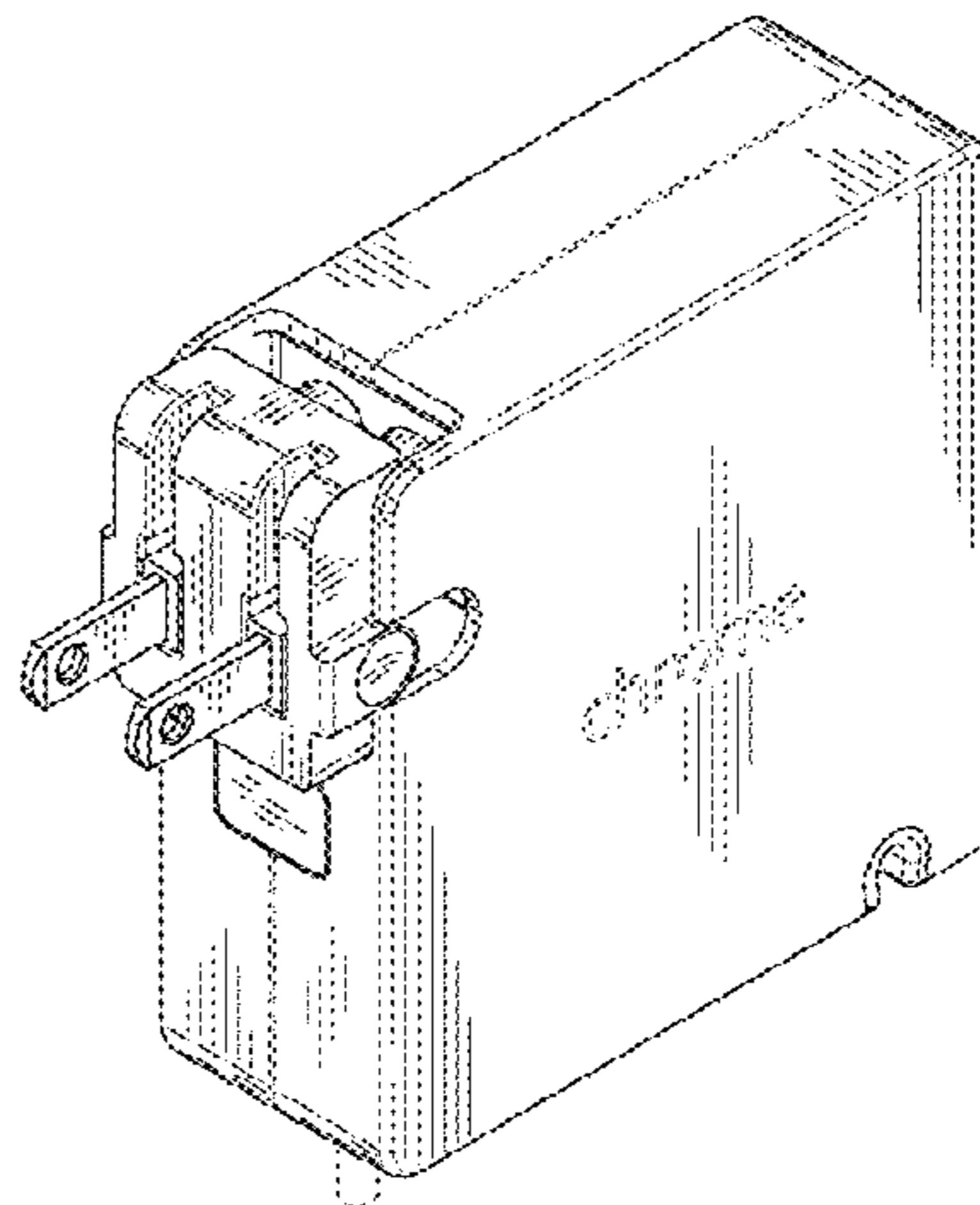
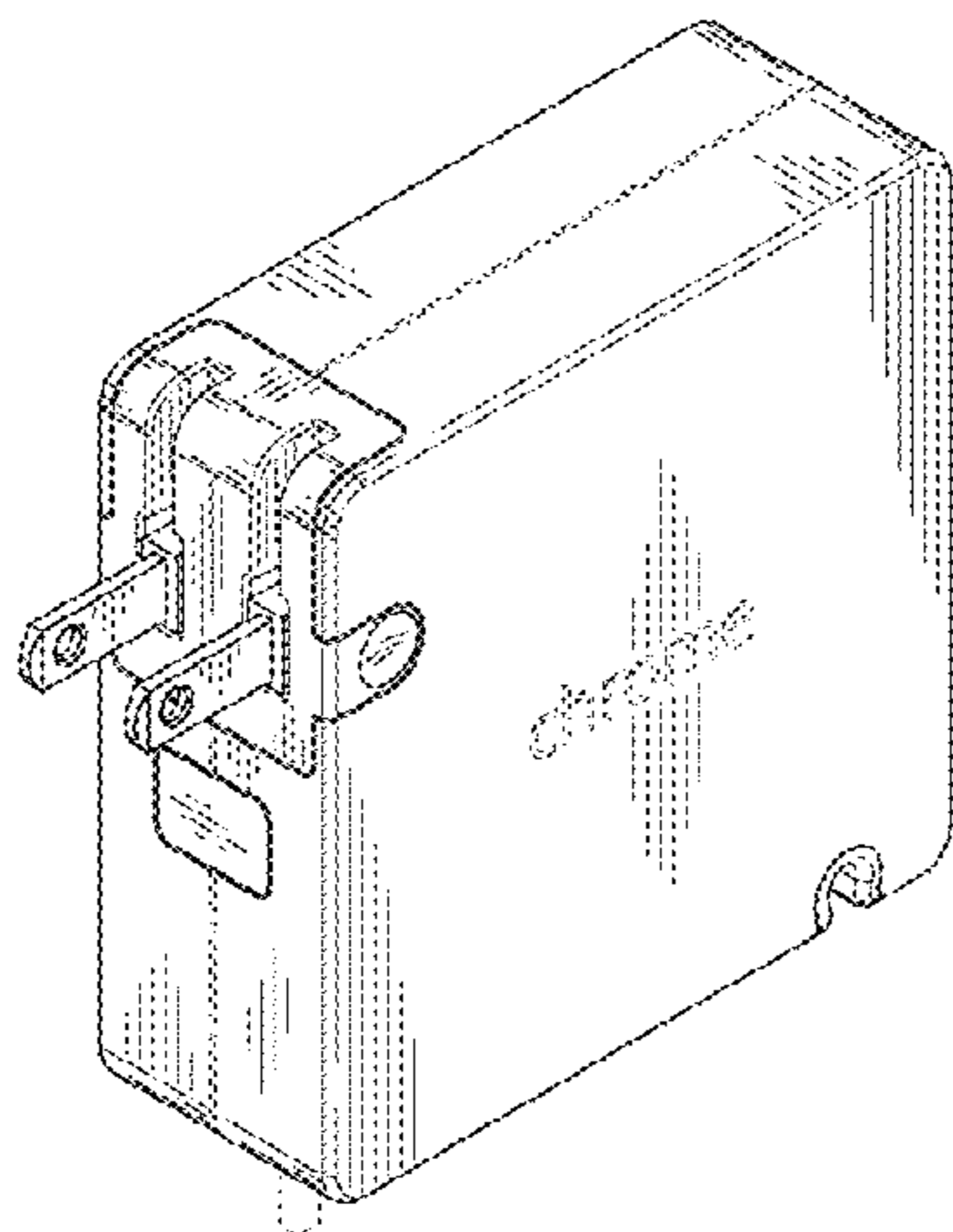
(57) **CLAIM**

The ornamental design for a power adapter, as shown and described.

DESCRIPTION

FIG. 1 is a front-top perspective view of a power adapter according to our design in a first configuration thereof; FIG. 2 is a front elevation view thereof; FIG. 3 is a back elevation view thereof; FIG. 4 is a right elevation view of the power adapter of FIG. 1; FIG. 5 is a left elevation view thereof; FIG. 6 is a top plan view thereof; FIG. 7 is a bottom plan view thereof; FIG. 8 is a front-bottom perspective thereof; FIG. 9 is a front-top perspective view of a power adapter according to our design in a second configuration thereof; FIG. 10 is a front elevation view thereof; FIG. 11 is a back elevation view thereof; FIG. 12 is a right elevation view thereof; FIG. 13 is a left elevation view thereof; FIG. 14 is a top plan view thereof; FIG. 15 is a bottom plan view thereof; FIG. 16 is a front-bottom perspective thereof; FIG. 17 is a front-top perspective view of a power adapter according to our design in a third configuration thereof; FIG. 18 is a front elevation view thereof; FIG. 19 is a back elevation view thereof; FIG. 20 is a right elevation view thereof; FIG. 21 is a left elevation view thereof; FIG. 22 is a top plan view thereof; FIG. 23 is a bottom plan view thereof; and, FIG. 24 is a front-bottom perspective view thereof. The broken lines shown represent unclaimed subject matter and form no part of the claimed design.

1 Claim, 9 Drawing Sheets



(56)

References Cited

U.S. PATENT DOCUMENTS

D593,031 S * 5/2009 Miyatake et al. D13/110
D595,654 S 7/2009 Andre et al.
D599,738 S 9/2009 Amidei et al.
D611,415 S 3/2010 Andre et al.
D621,782 S 8/2010 Chang et al.

7,766,698 B1 8/2010 De Iuliis et al.
D623,136 S 9/2010 Andre et al.
D638,357 S 5/2011 Sasada et al.
D639,238 S 6/2011 Serrano
D658,123 S 4/2012 Andre et al.
D662,473 S 6/2012 Andre et al.
8,222,773 B2 7/2012 De Iuliis et al.

* cited by examiner

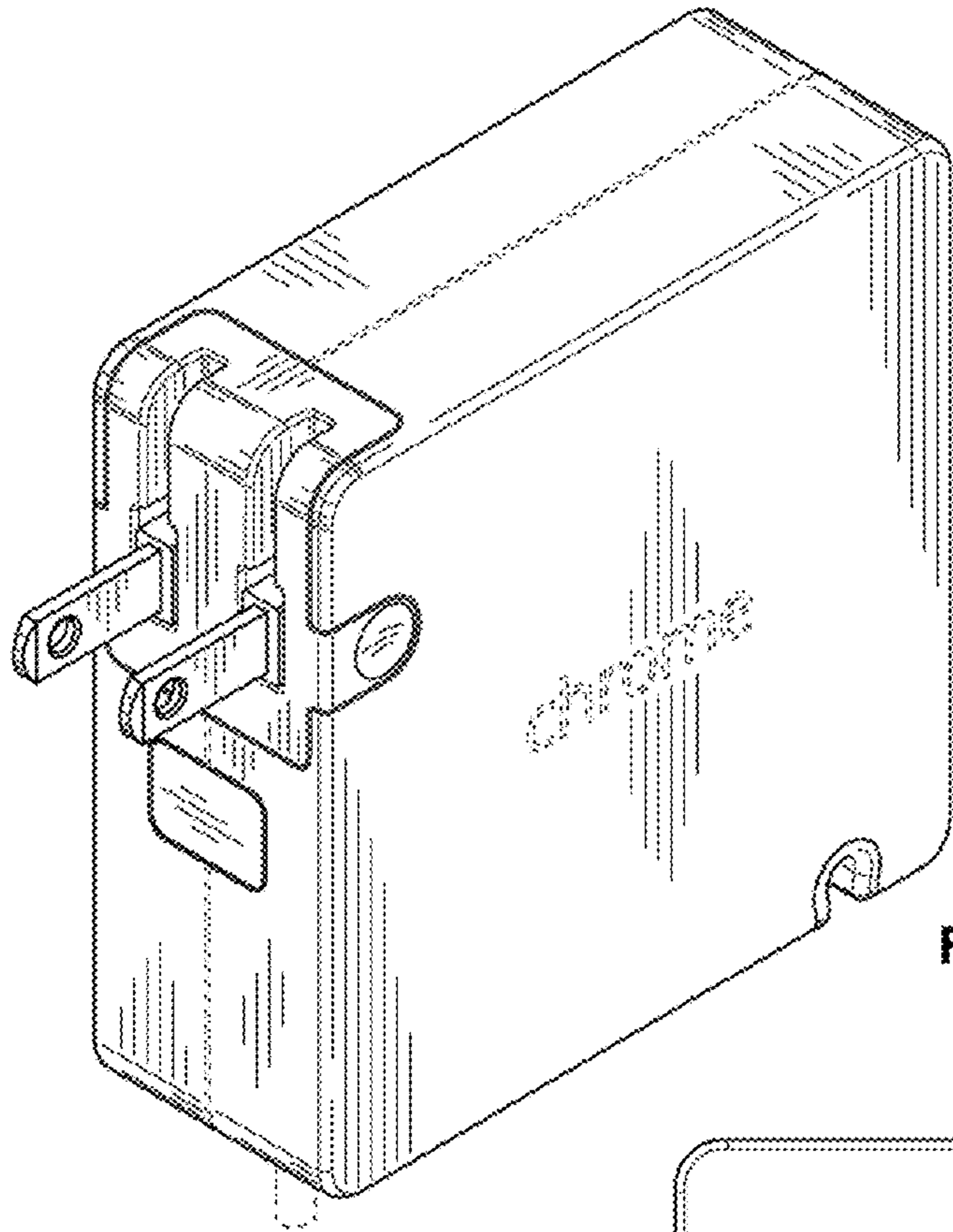


FIG. 1

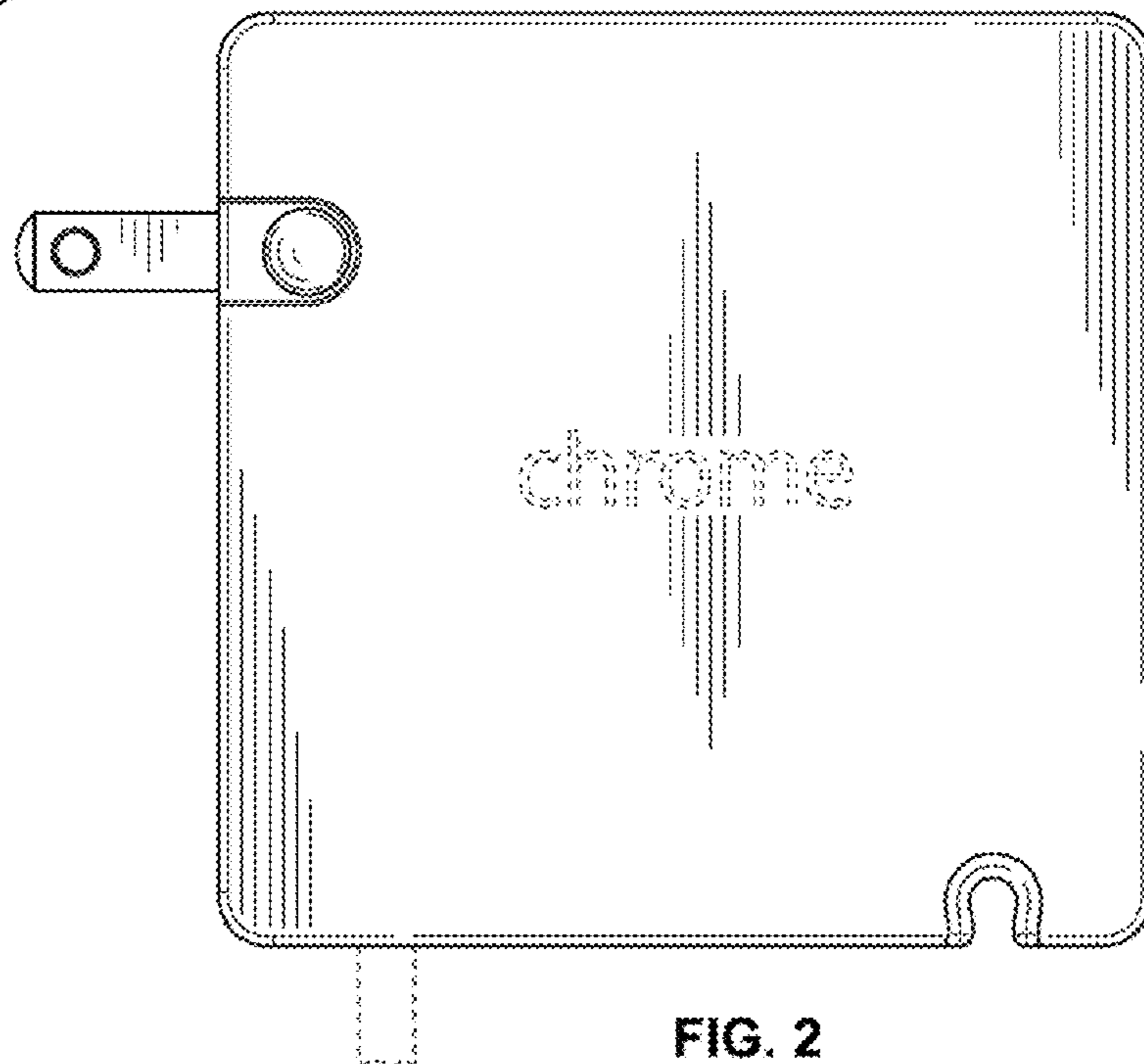
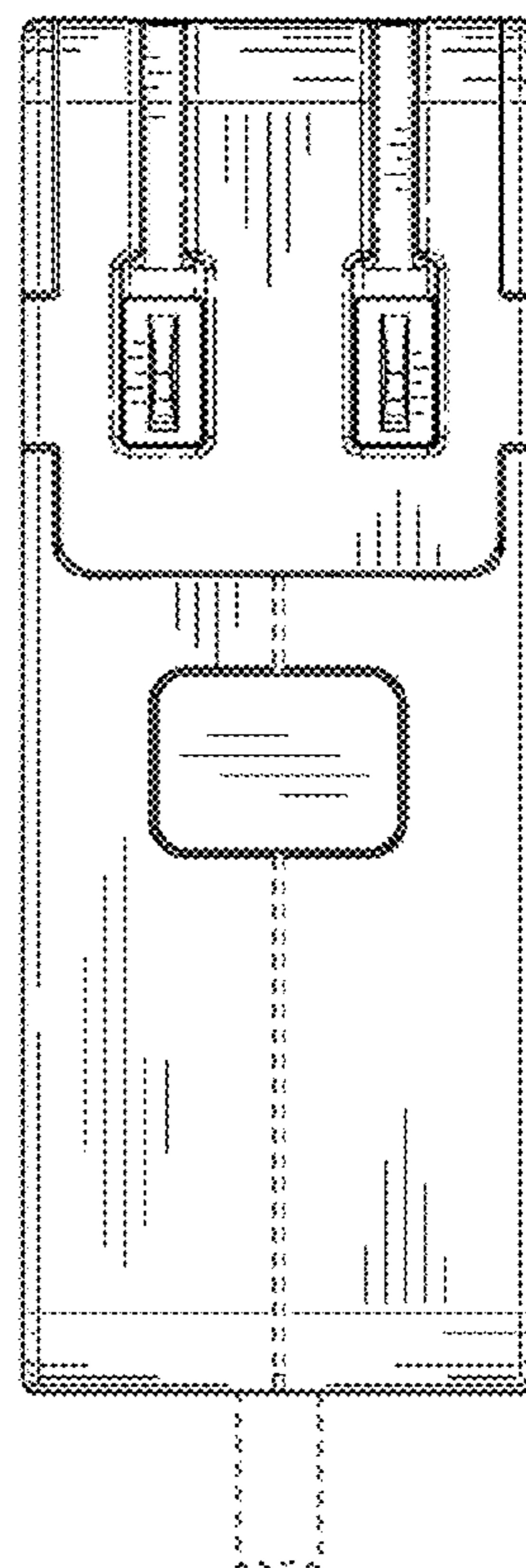
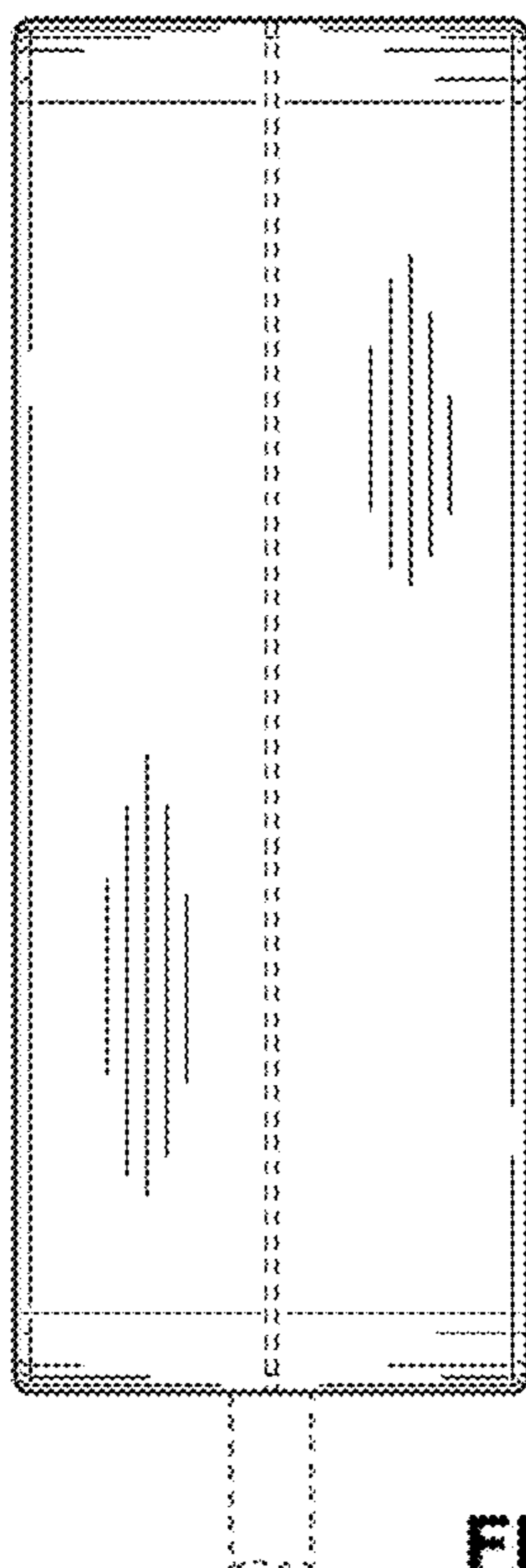
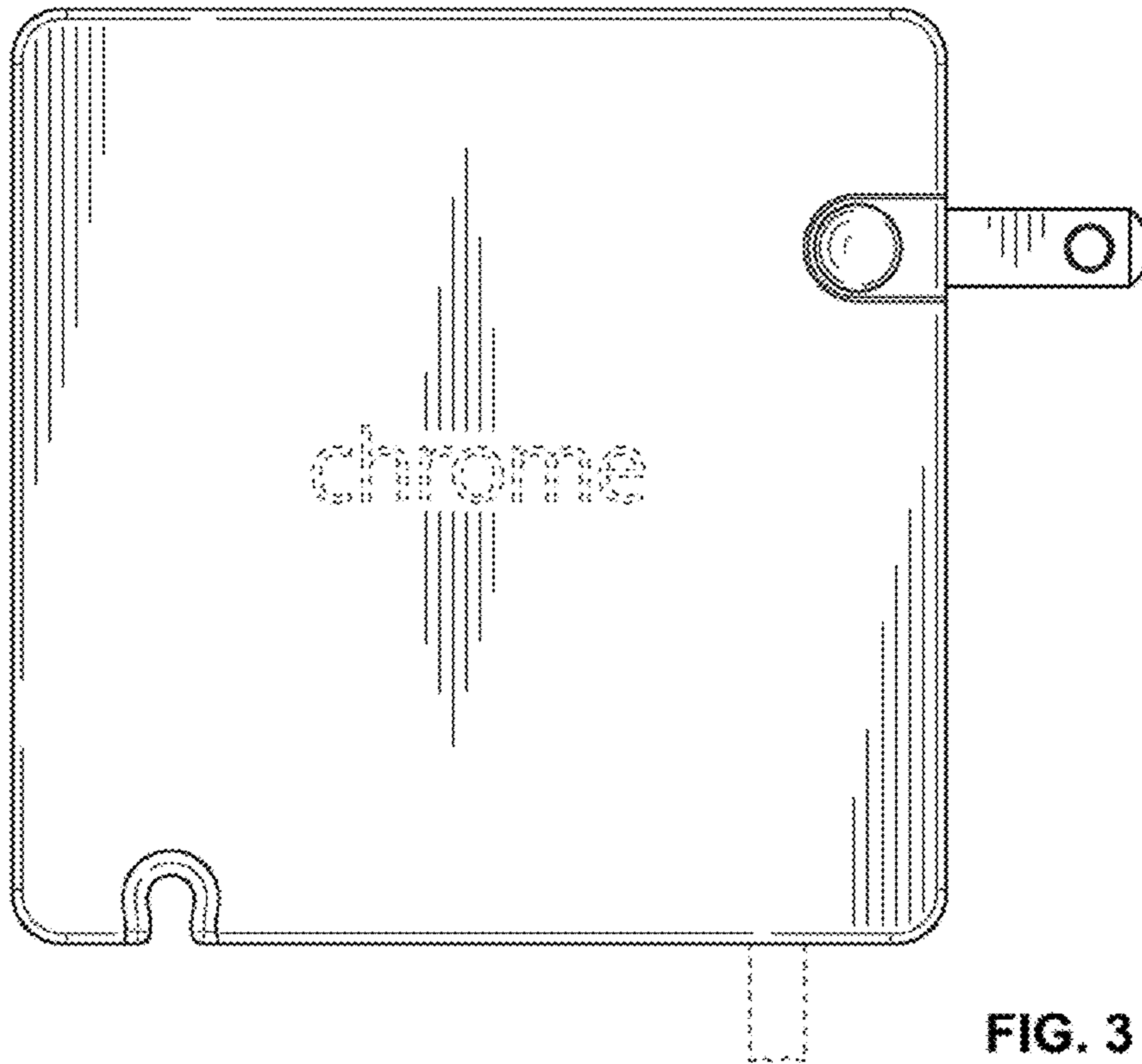


FIG. 2



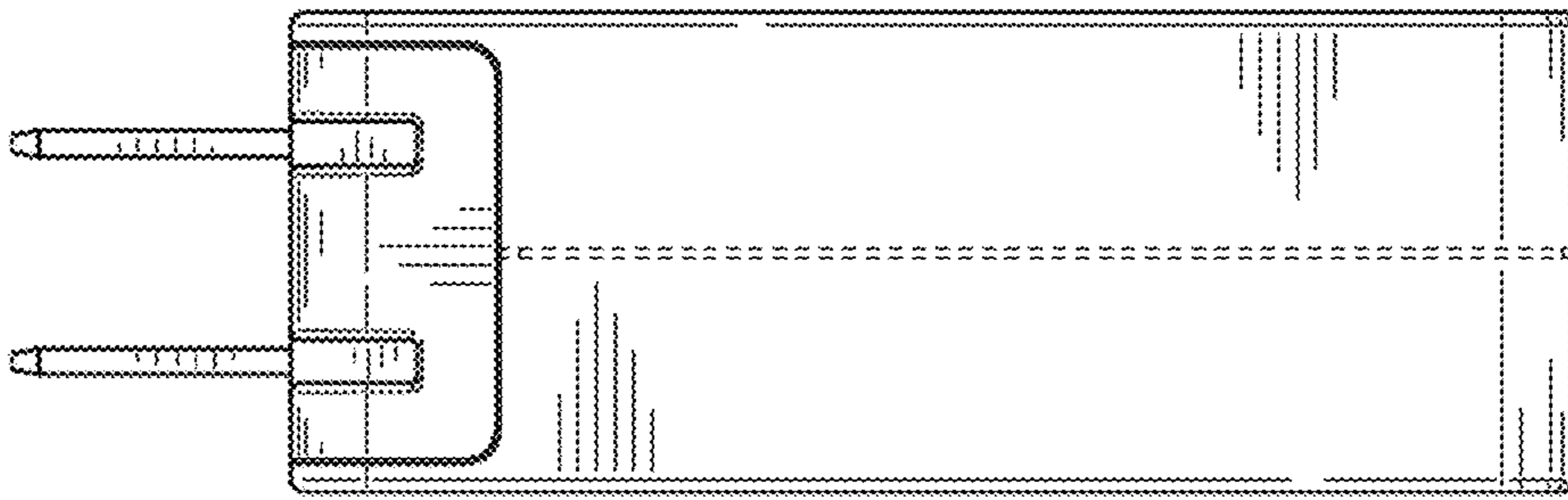


FIG. 6

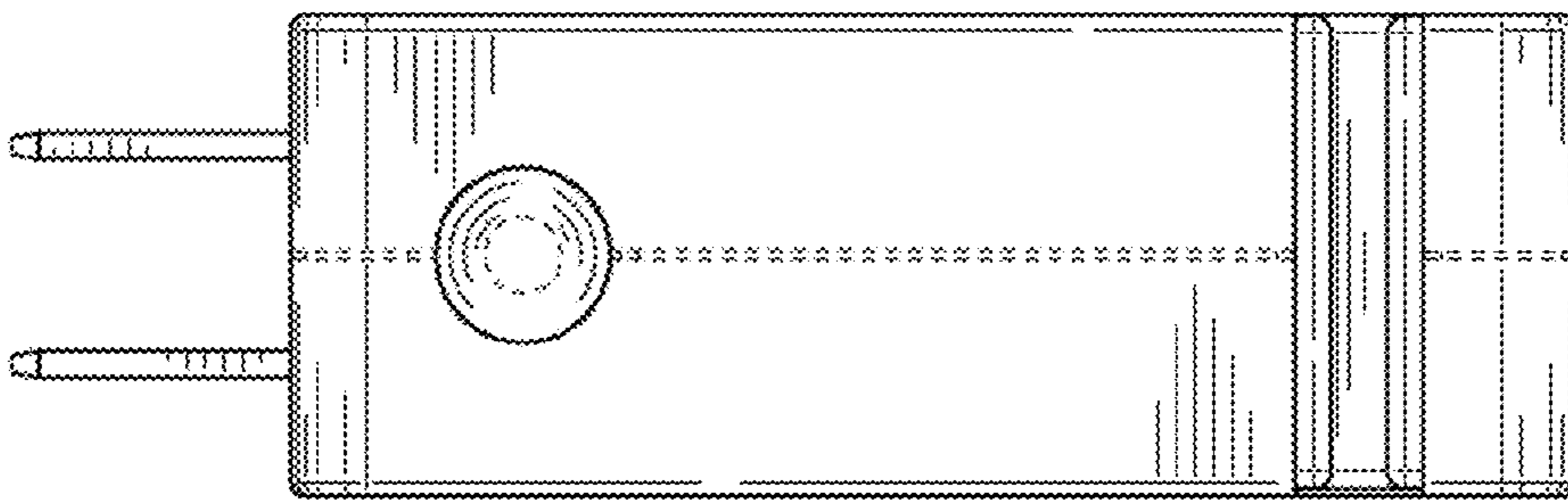


FIG. 7

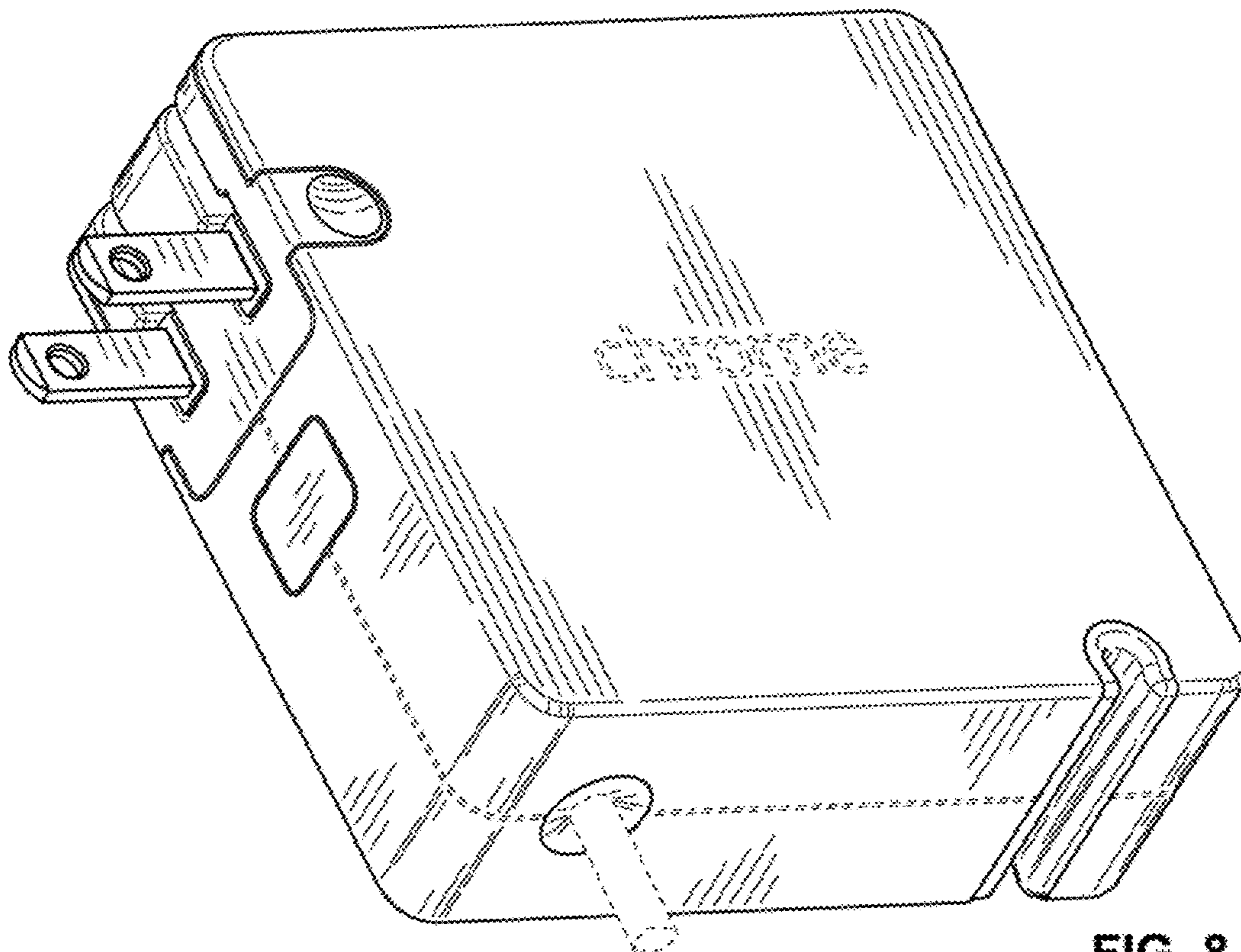


FIG. 8

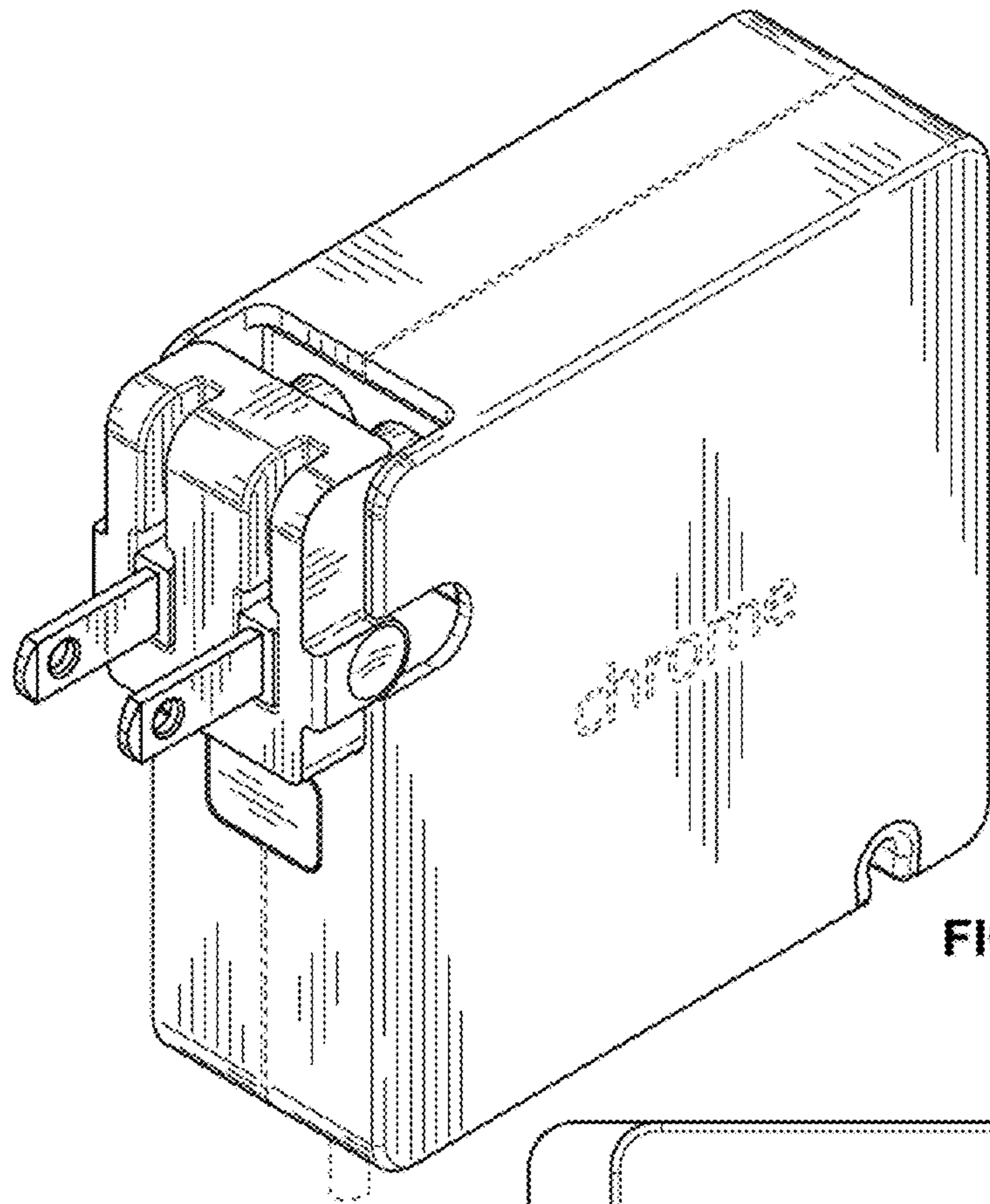


FIG. 9

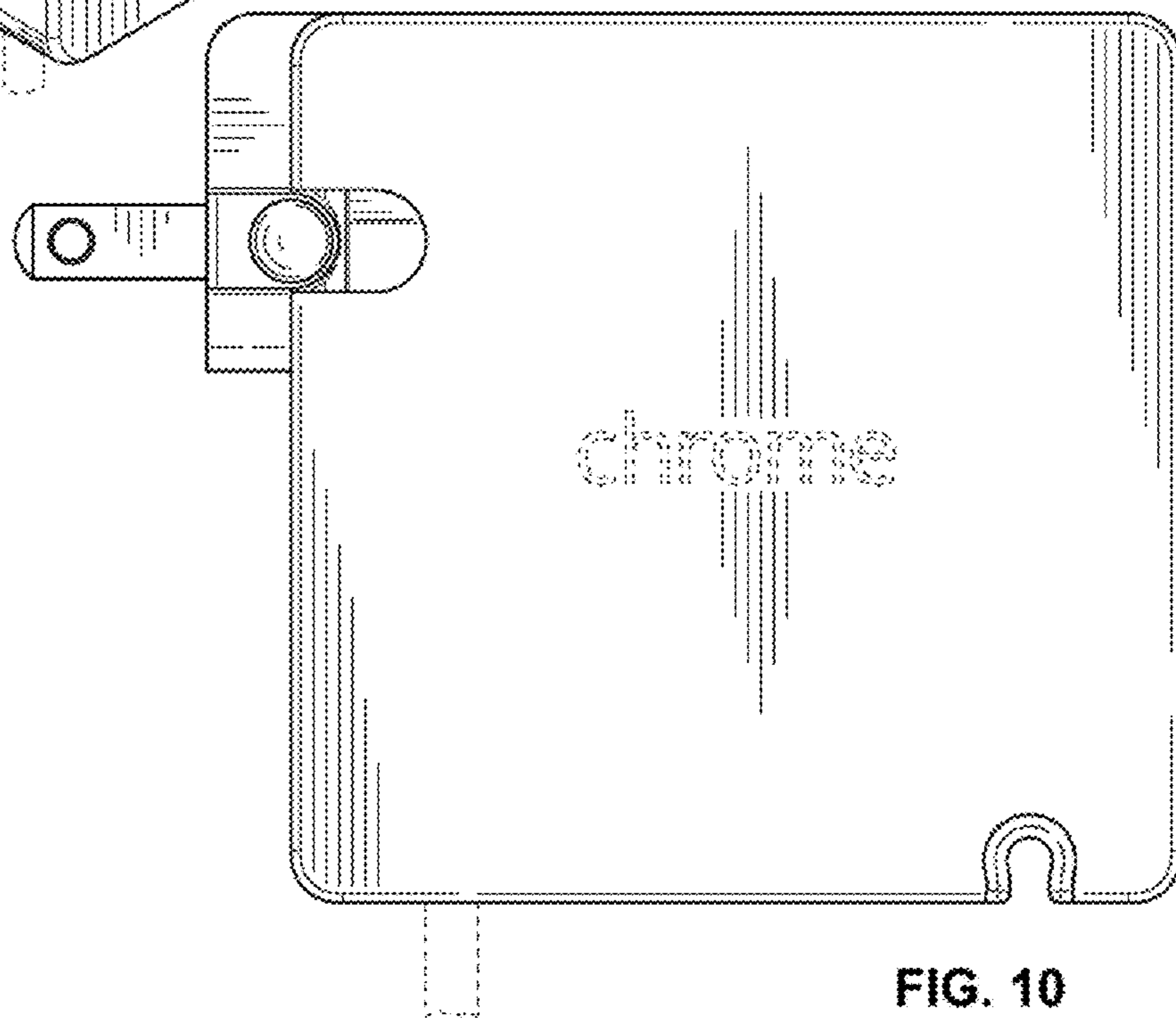


FIG. 10

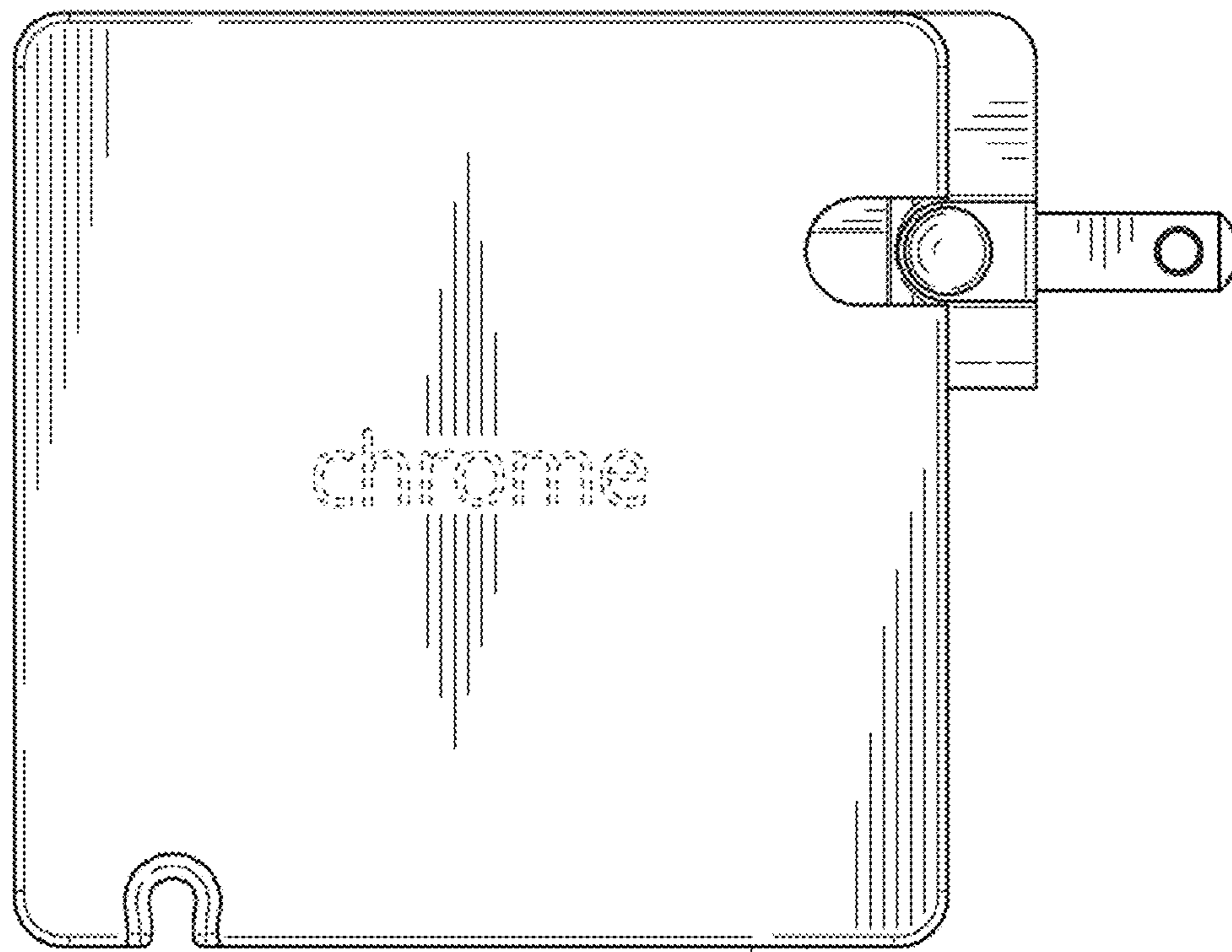


FIG. 11

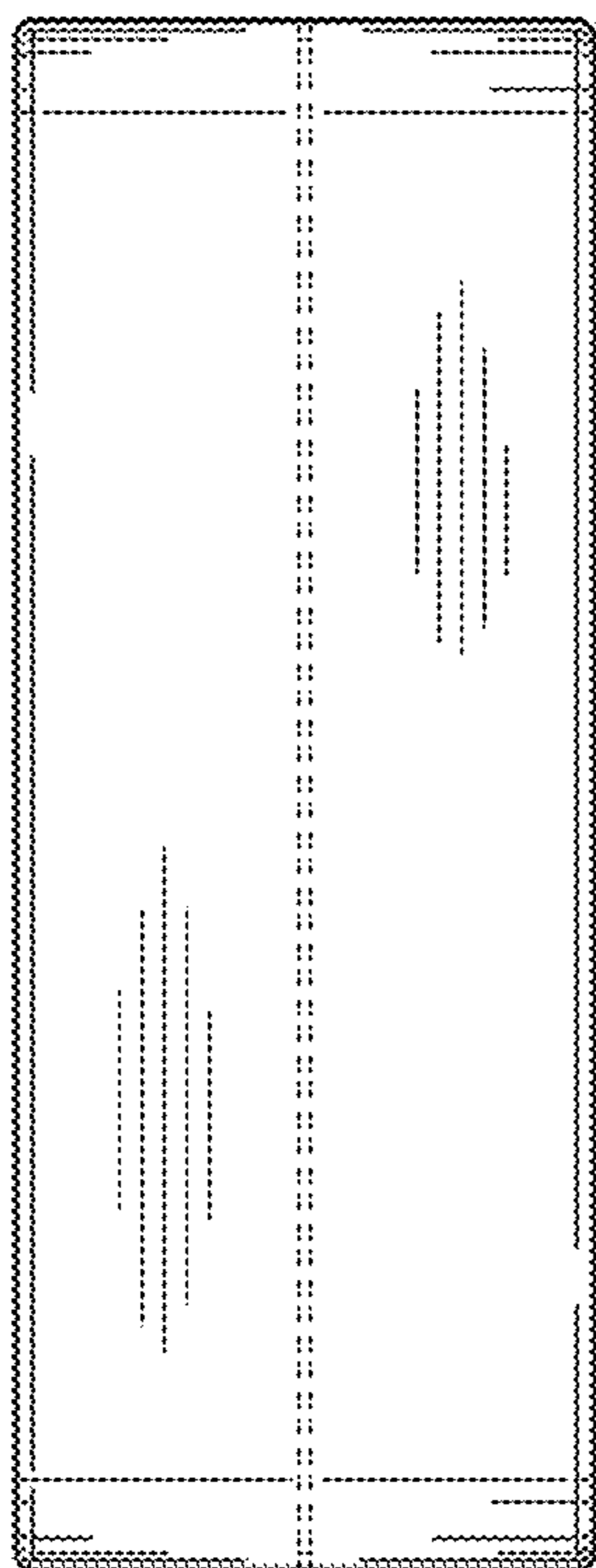


FIG. 12

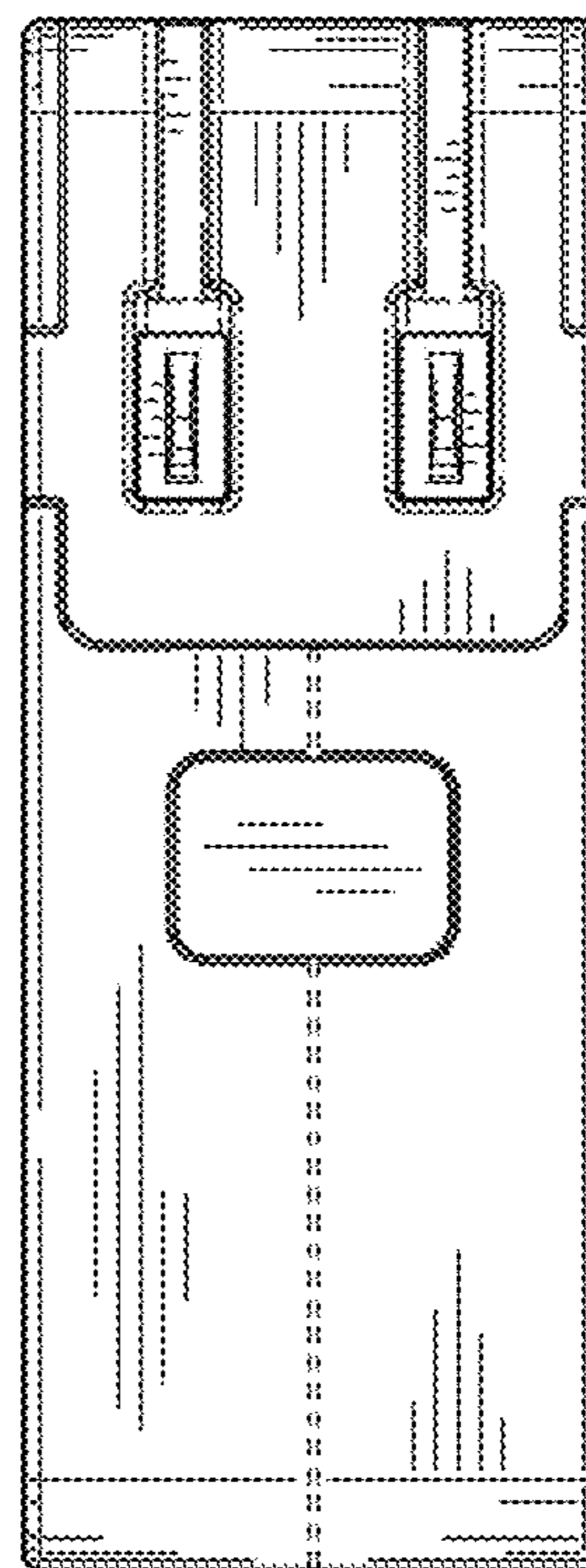


FIG. 13

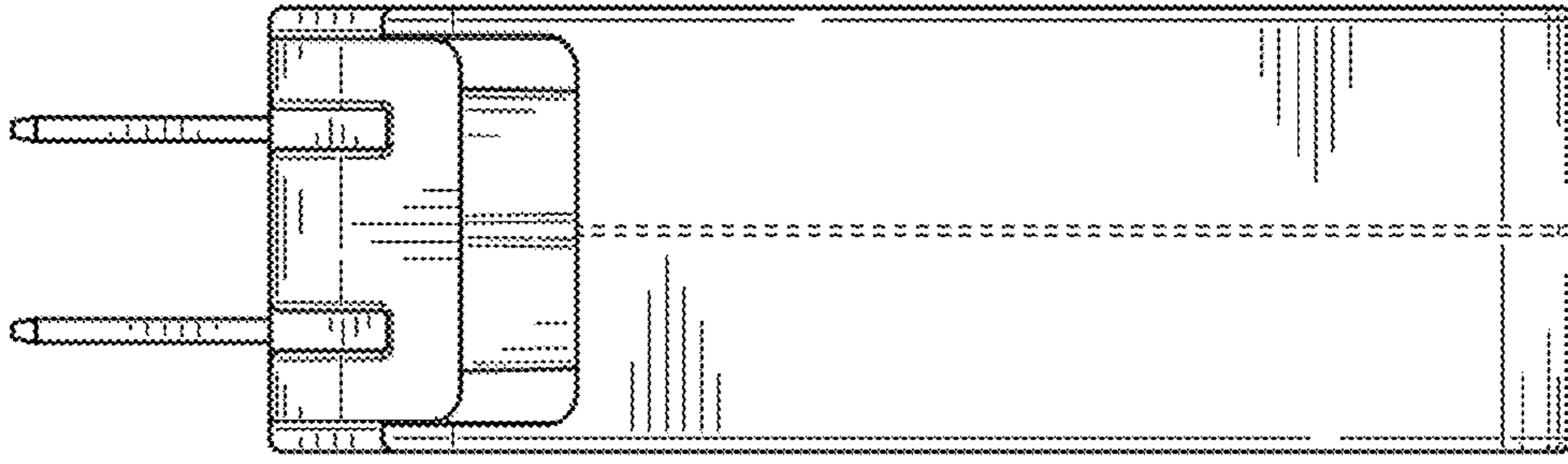


FIG. 14

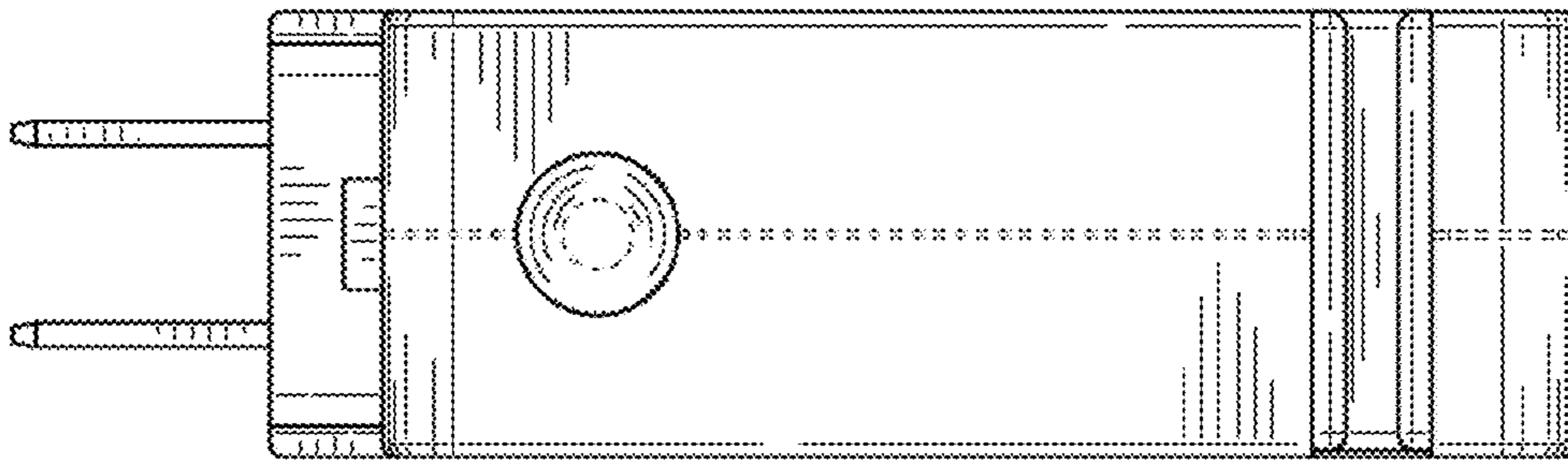


FIG. 15

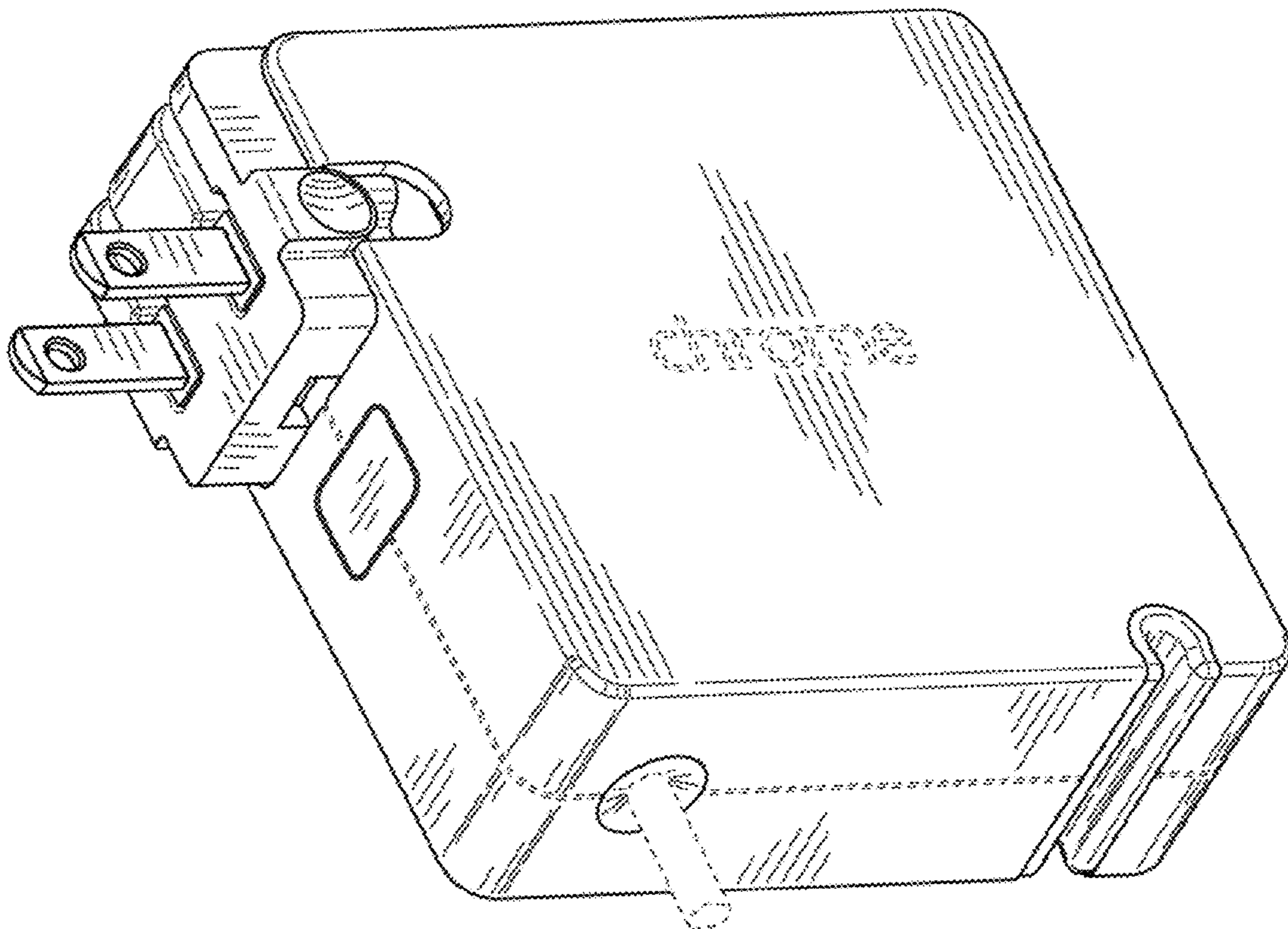


FIG. 16

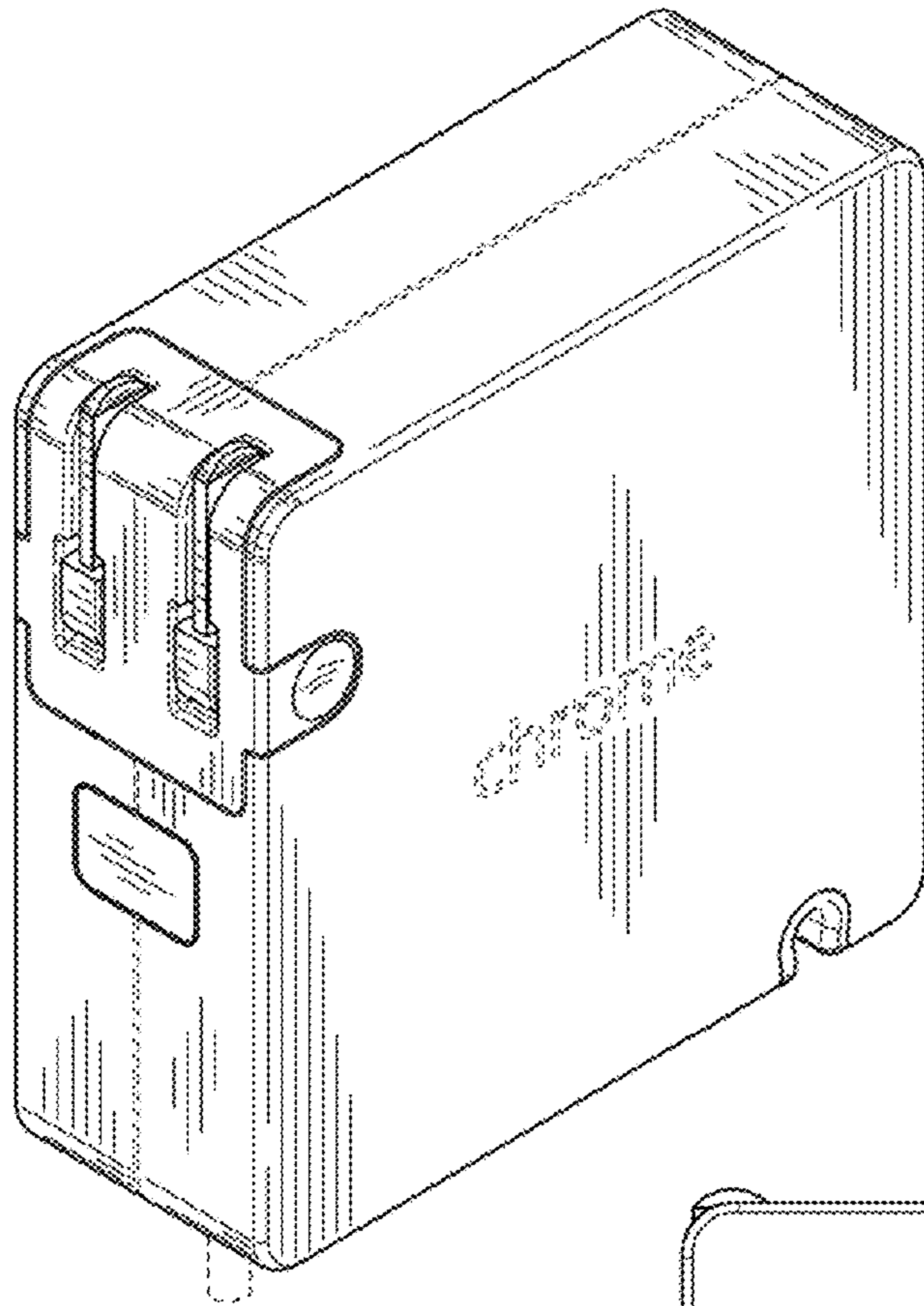


FIG. 17

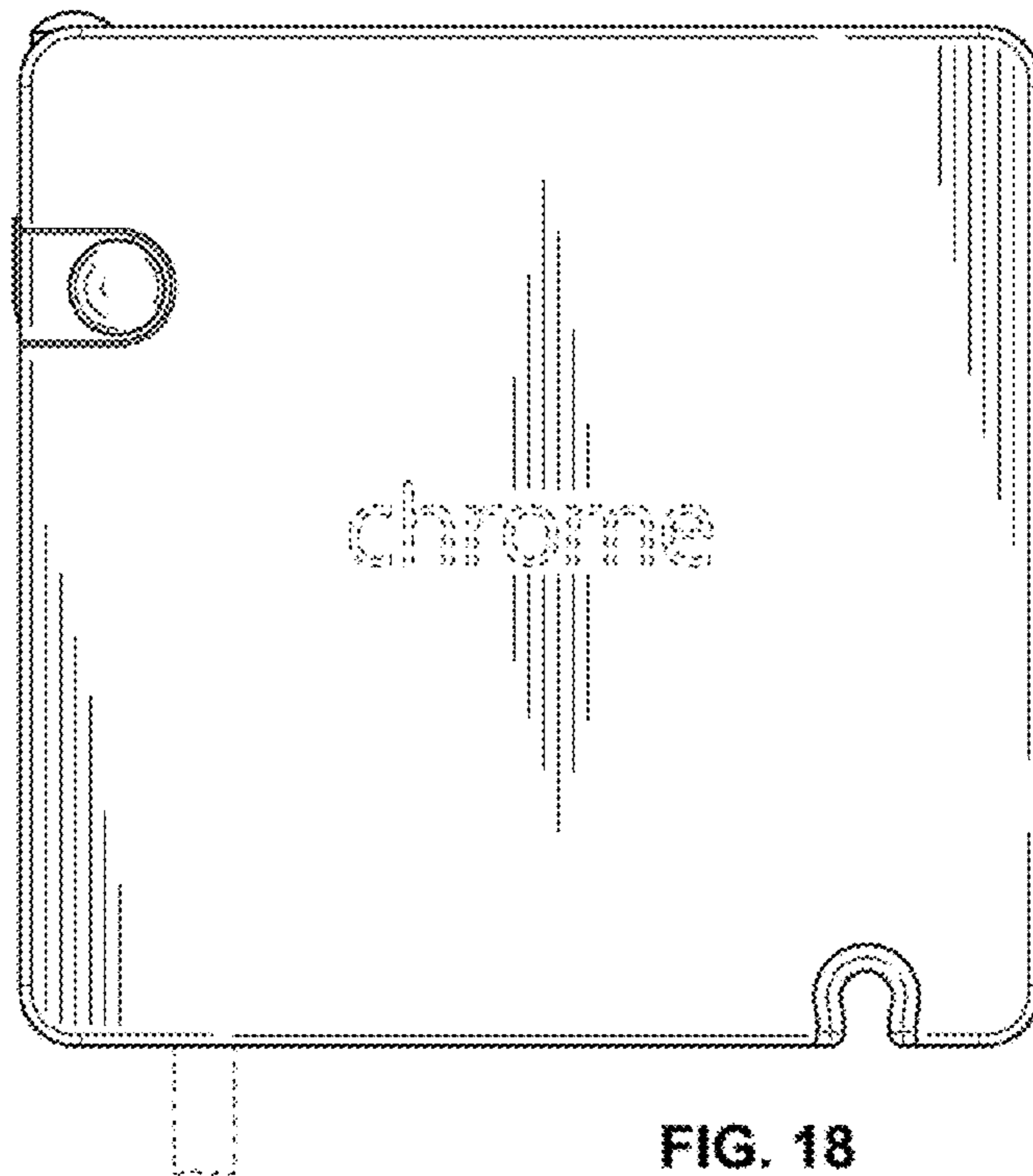


FIG. 18

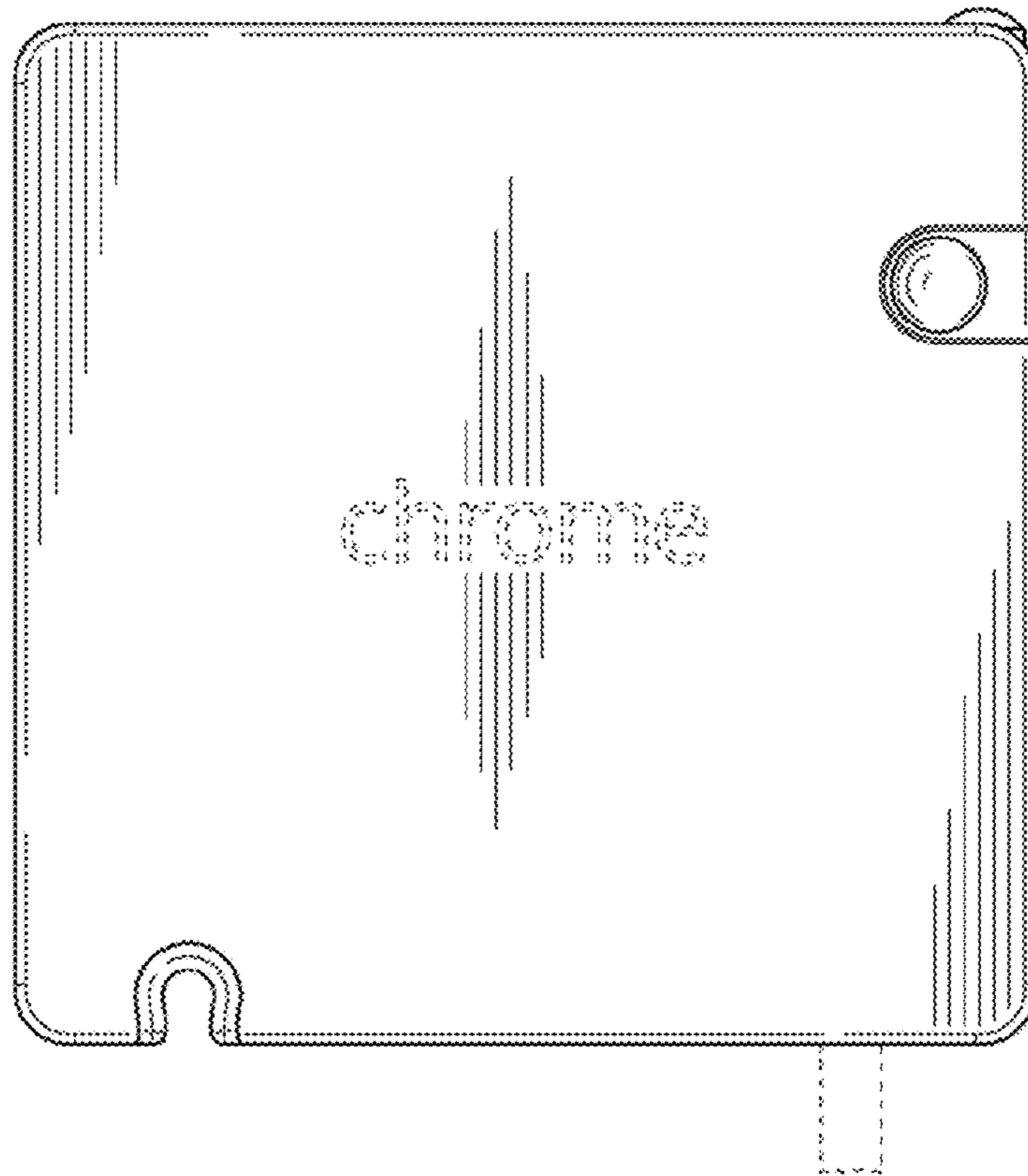


FIG. 19

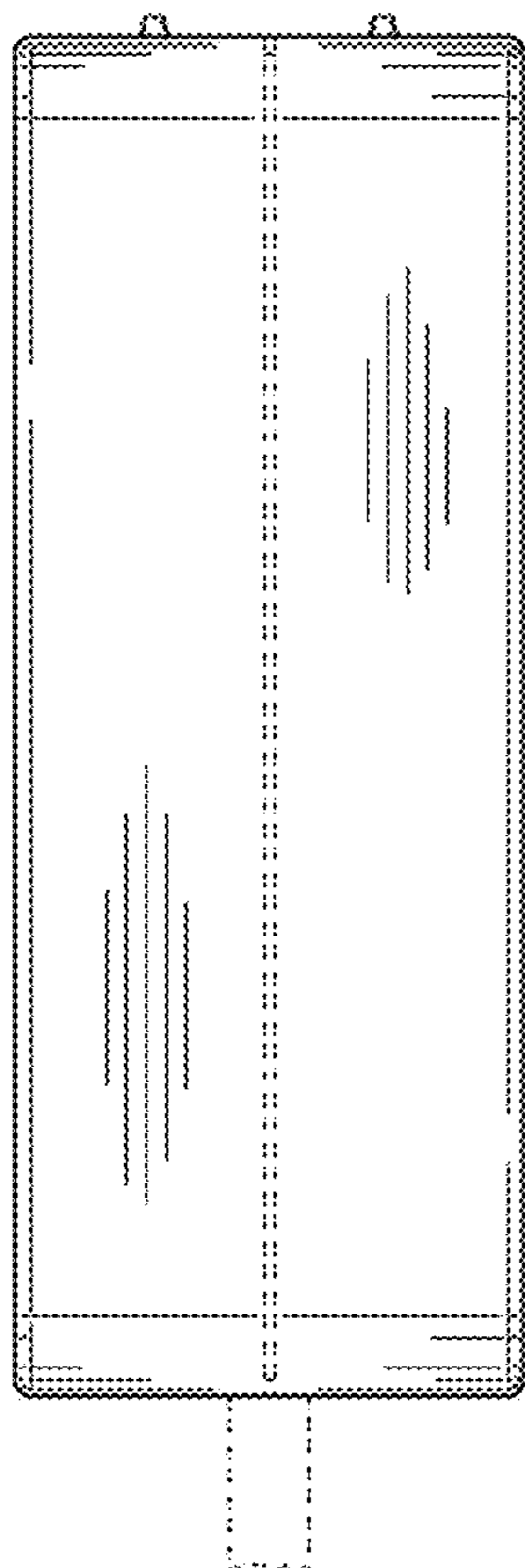


FIG. 20

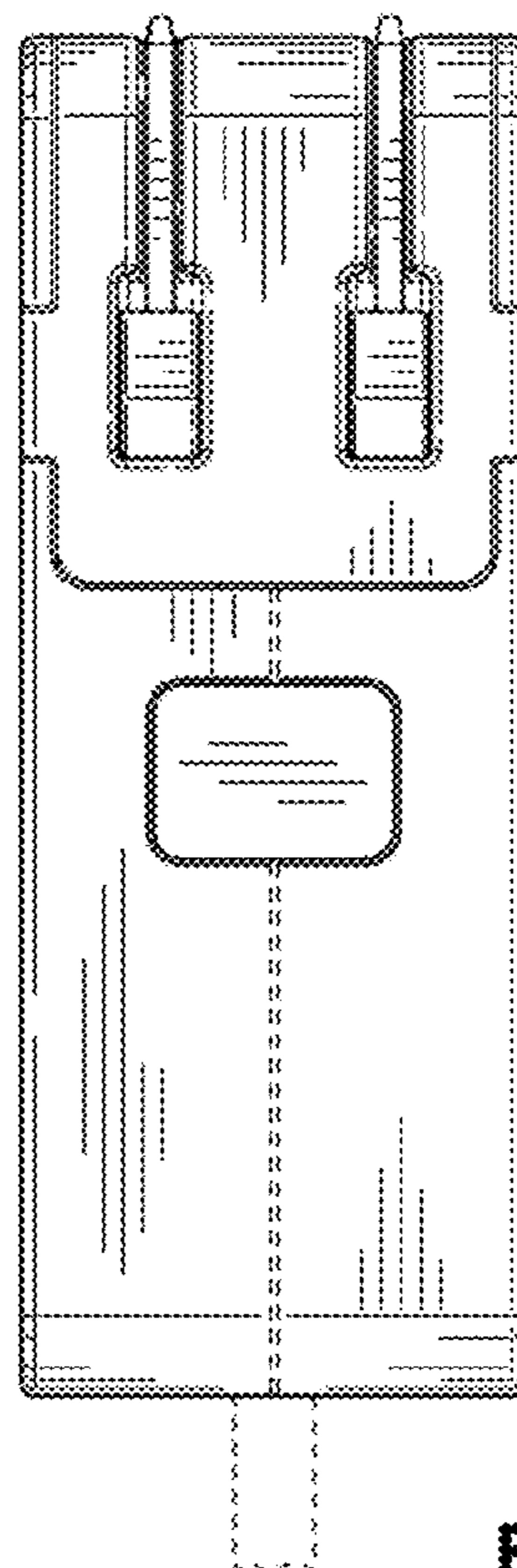


FIG. 21

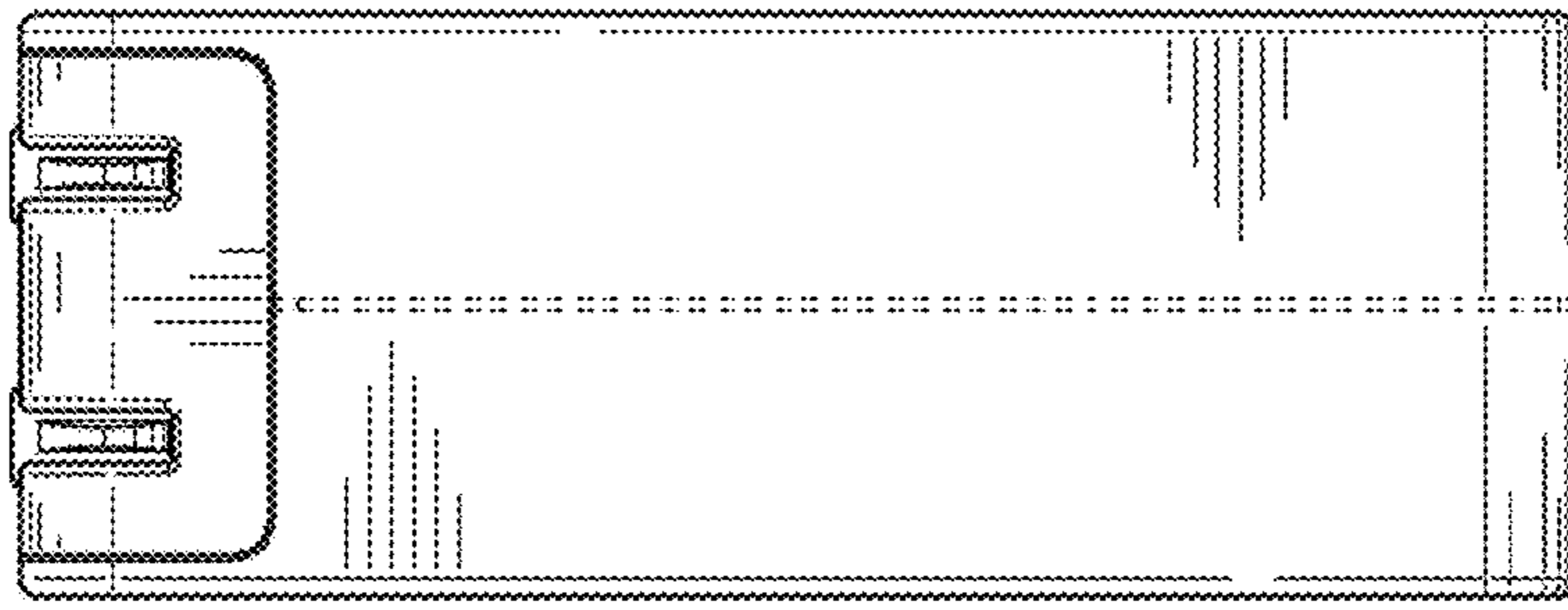


FIG. 22

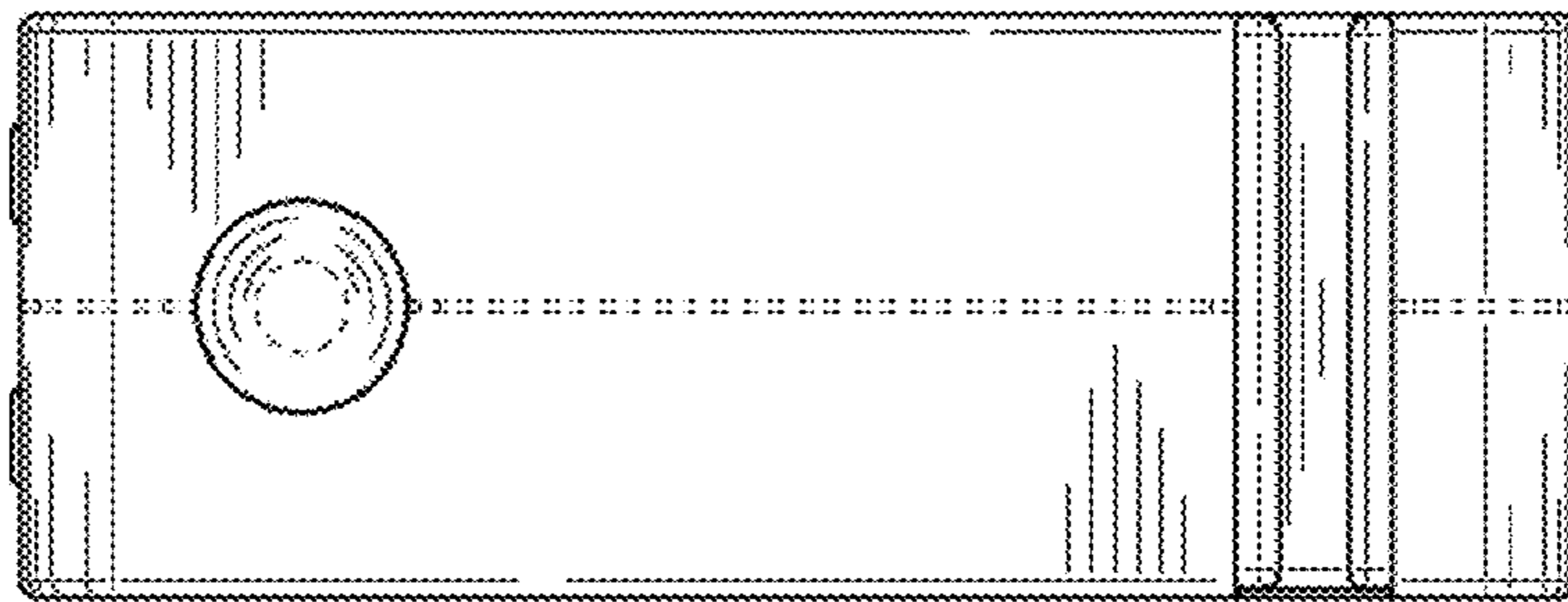


FIG. 23

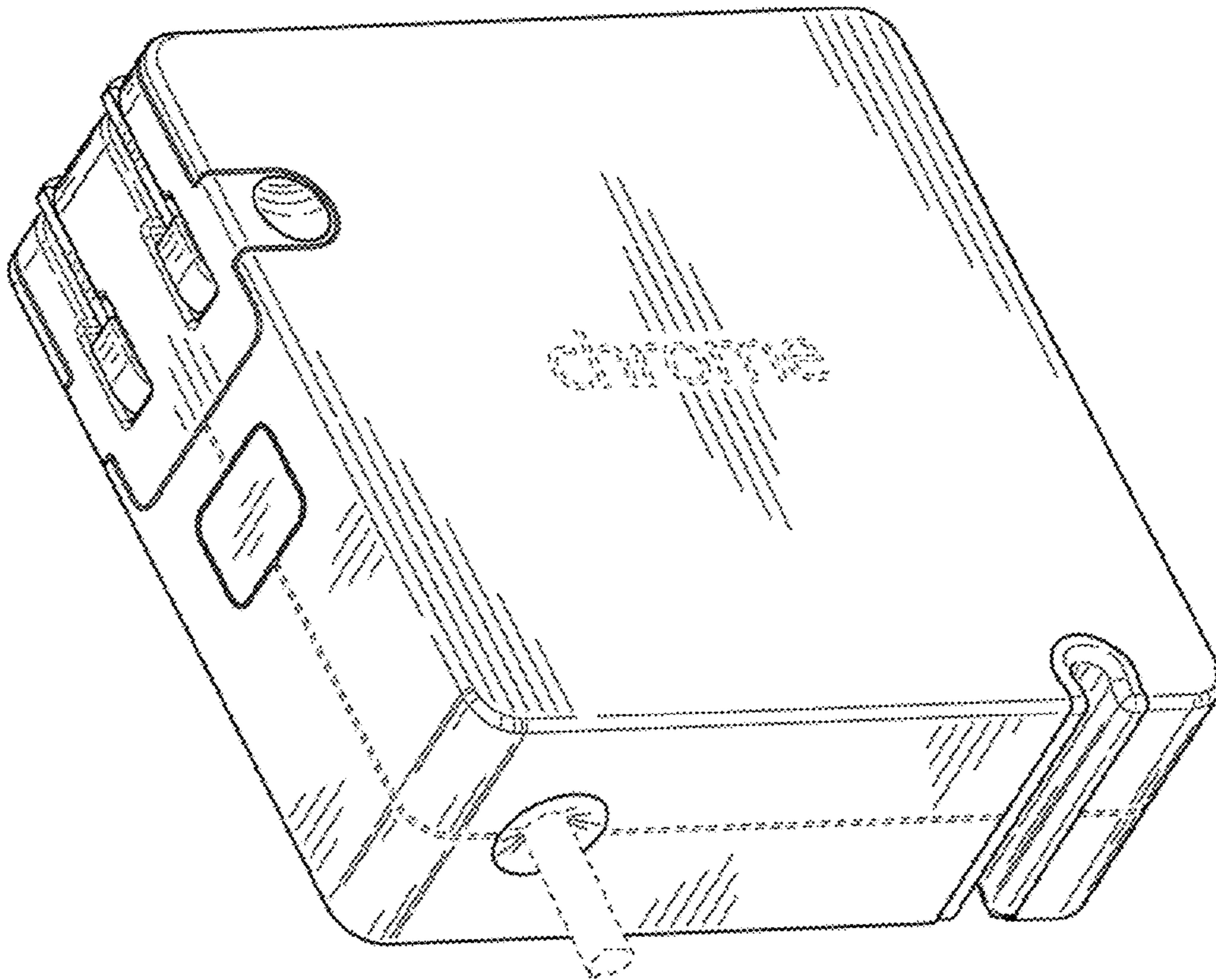


FIG. 24