



US00D694184S

(12) **United States Design Patent**  
**Lu**

(10) **Patent No.:** **US D694,184 S**  
(45) **Date of Patent:** **\*\* Nov. 26, 2013**

(54) **POWER ADAPTER**

(71) Applicant: **Acer Incorporated**, New Taipei (TW)

(72) Inventor: **Chi-Nan Lu**, New Taipei (TW)

(73) Assignee: **Acer Incorporated**, New Taipei (TW)

(\*\*) Term: **14 Years**

(21) Appl. No.: **29/440,669**

(22) Filed: **Dec. 26, 2012**

(30) **Foreign Application Priority Data**

Oct. 17, 2012 (TW) ..... 101306048

(51) **LOC (9) Cl.** ..... **13-02**

(52) **U.S. Cl.**  
USPC ..... **D13/110**

(58) **Field of Classification Search**  
USPC ..... D13/110, 107, 108, 123, 133, 137.1,  
D13/138.1, 199; 174/53, 54, 59, 61;  
307/150, 151; 320/111, 114; 363/132,  
363/140, 142, 143, 146; 439/105, 131, 166,  
439/171-173, 218, 518, 692, 956;  
D14/240, 251, 253, 432, 433, 434  
See application file for complete search history.

(56) **References Cited**

**U.S. PATENT DOCUMENTS**

D503,679 S \* 4/2005 Andre et al. .... D13/110  
D552,034 S \* 10/2007 Hobson et al. .... D13/133

D586,295 S \* 2/2009 Zhao et al. .... D13/133  
D593,031 S \* 5/2009 Miyatake et al. .... D13/110  
D601,961 S \* 10/2009 Mahaffey et al. .... D13/123  
D669,431 S \* 10/2012 Yoon ..... D13/108

\* cited by examiner

*Primary Examiner* — Derrick Holland

(74) *Attorney, Agent, or Firm* — Jianq Chyun IP Office

(57) **CLAIM**

The ornamental design for a power adapter, as shown and described.

**DESCRIPTION**

FIG. 1 is a perspective view of a power adapter showing my new design;

FIG. 2 is another perspective view thereof;

FIG. 3 is a front view thereof; the rear view being a mirror image of the front view;

FIG. 4 is a left side view thereof;

FIG. 5 is a right side view thereof;

FIG. 6 is a top view thereof;

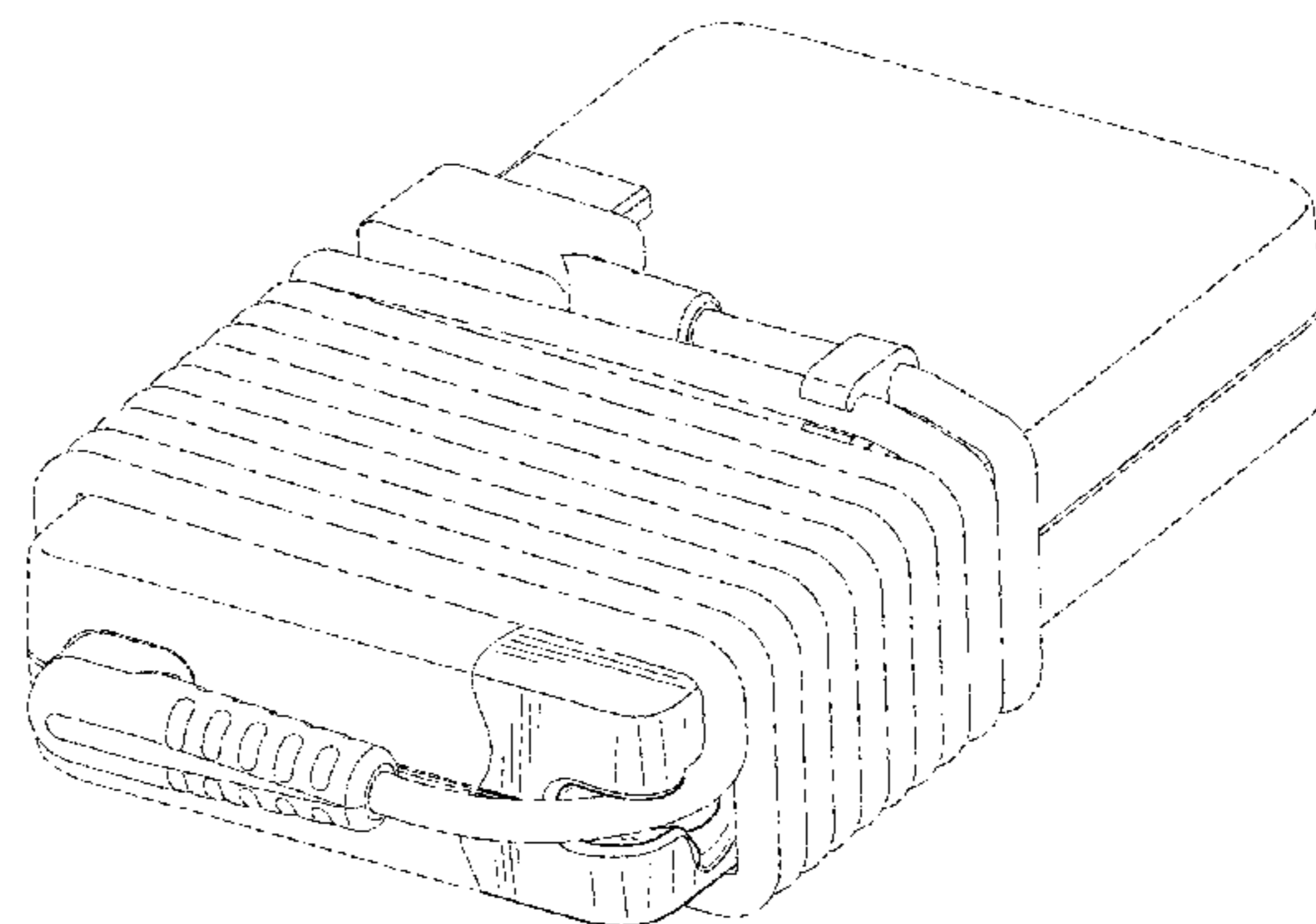
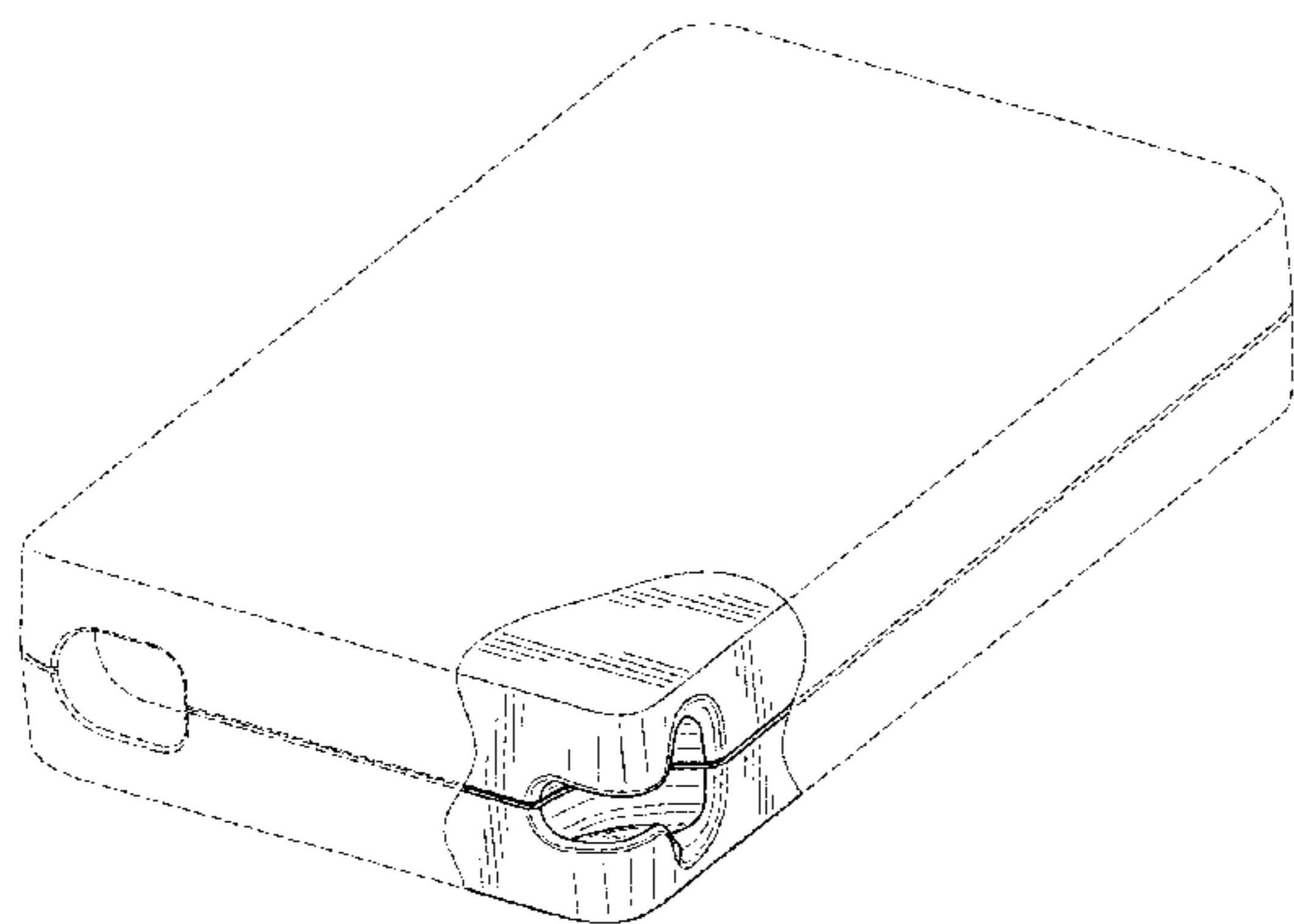
FIG. 7 is a bottom view thereof;

FIG. 8 is a reference perspective view thereof showing a cable fixed on the power adapter; and,

FIG. 9 is another reference perspective view thereof showing the cable fixed on the power adapter.

The broken lines shown represent unclaimed subject matter only and form no part of the claim. Where broken lines about a claimed surface it is understood that those broken lines represent an unclaimed boundary between claimed and unclaimed surfaces. None of the broken lines form any part of the claimed design.

**1 Claim, 7 Drawing Sheets**



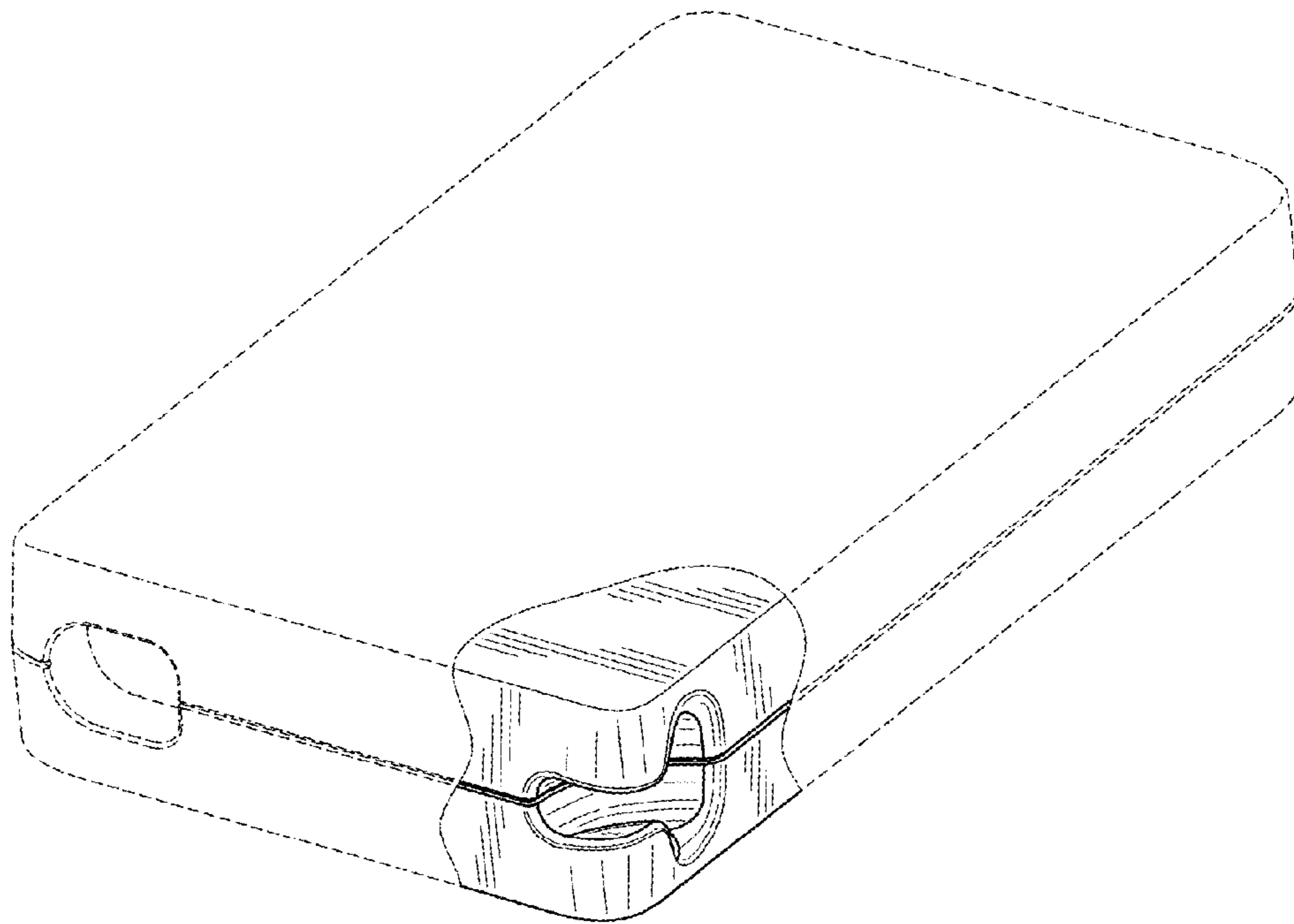


FIG. 1

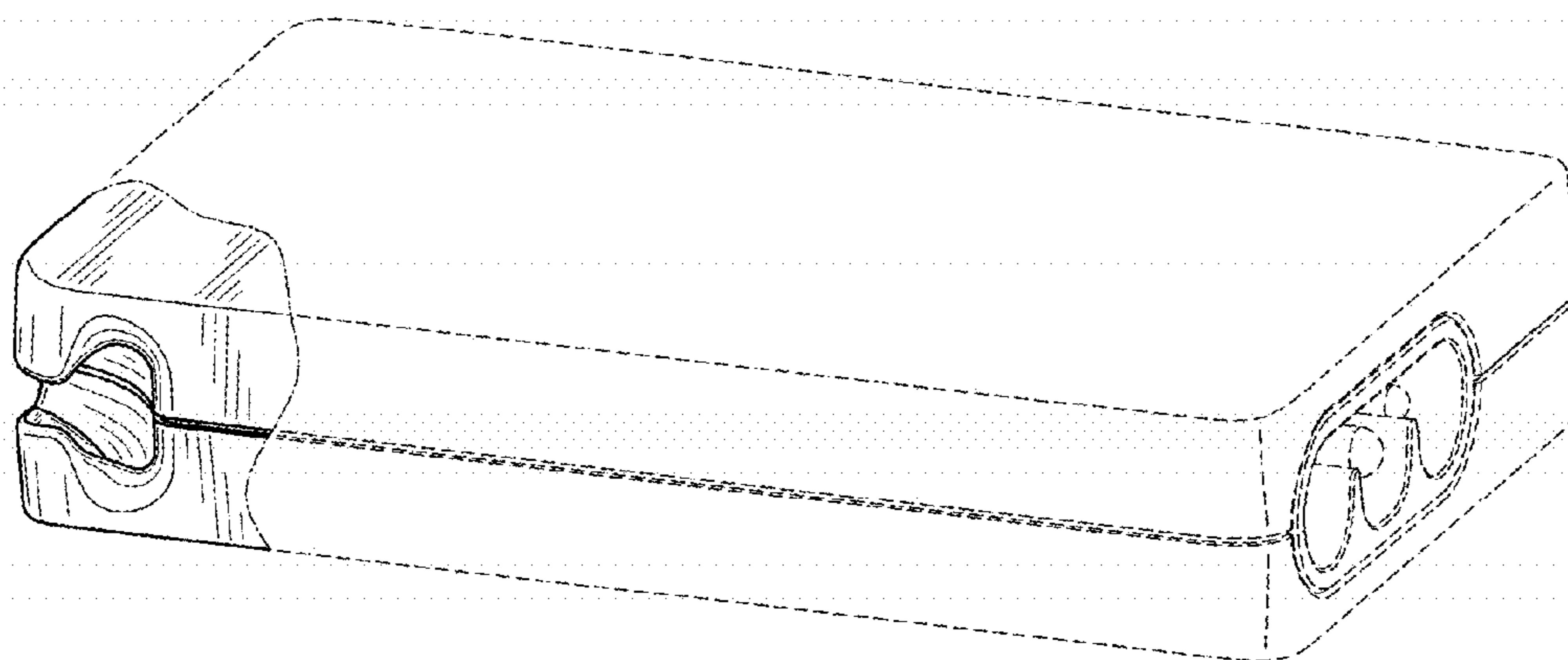


FIG. 2

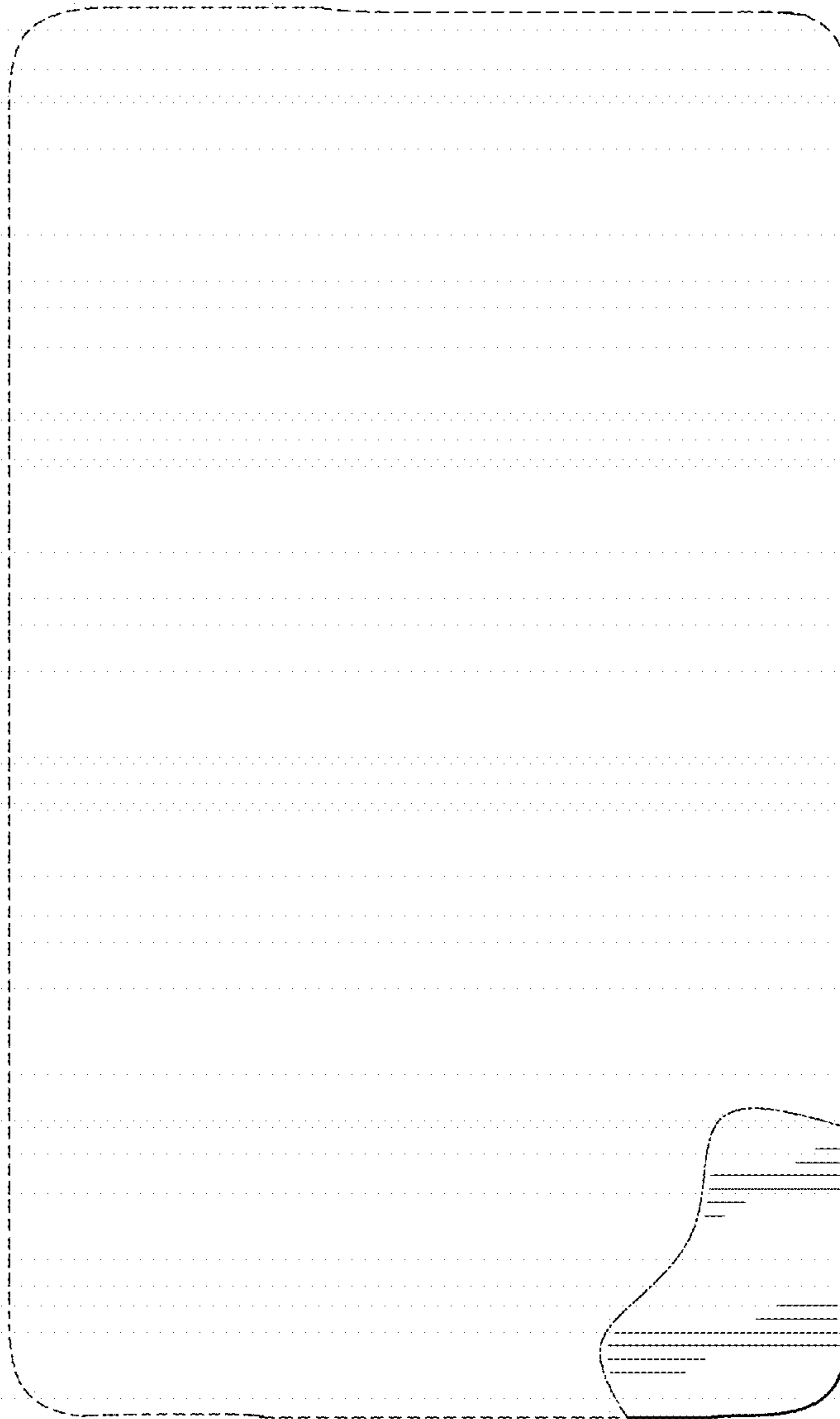


FIG. 3

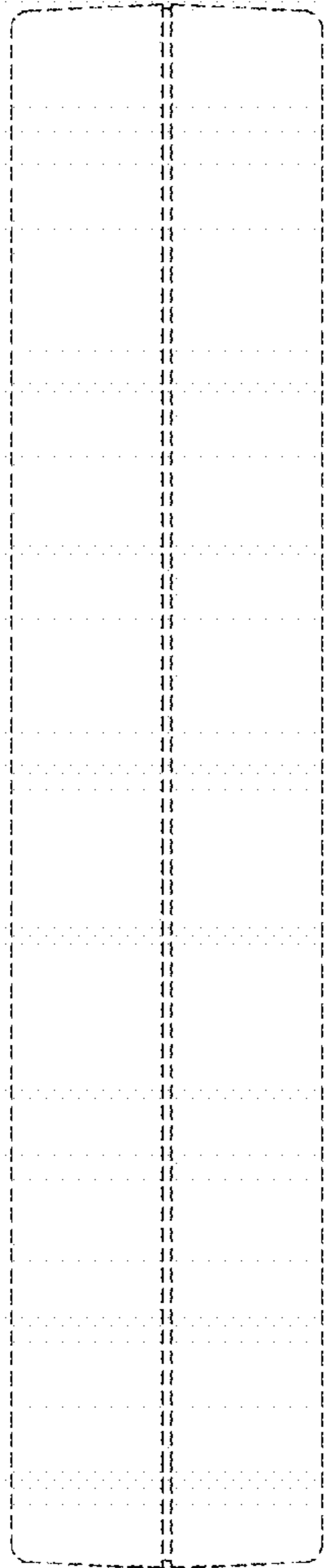


FIG. 4

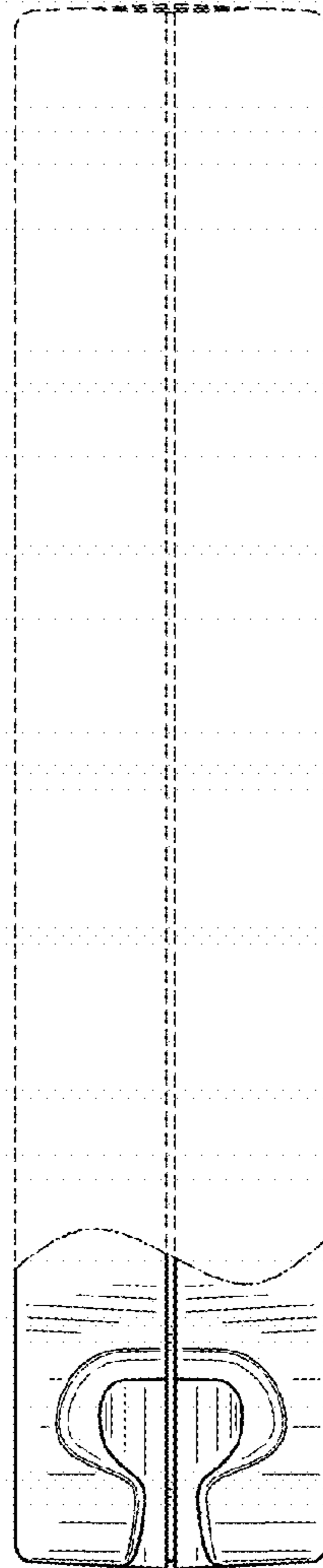


FIG. 5

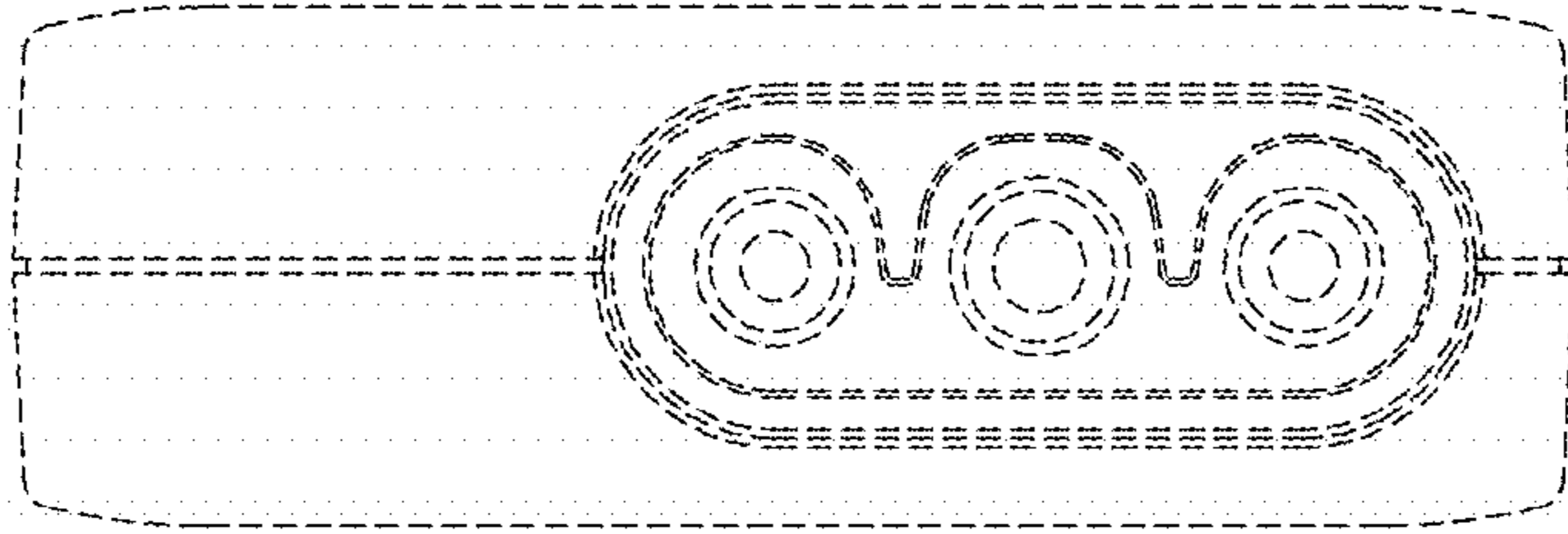


FIG. 6

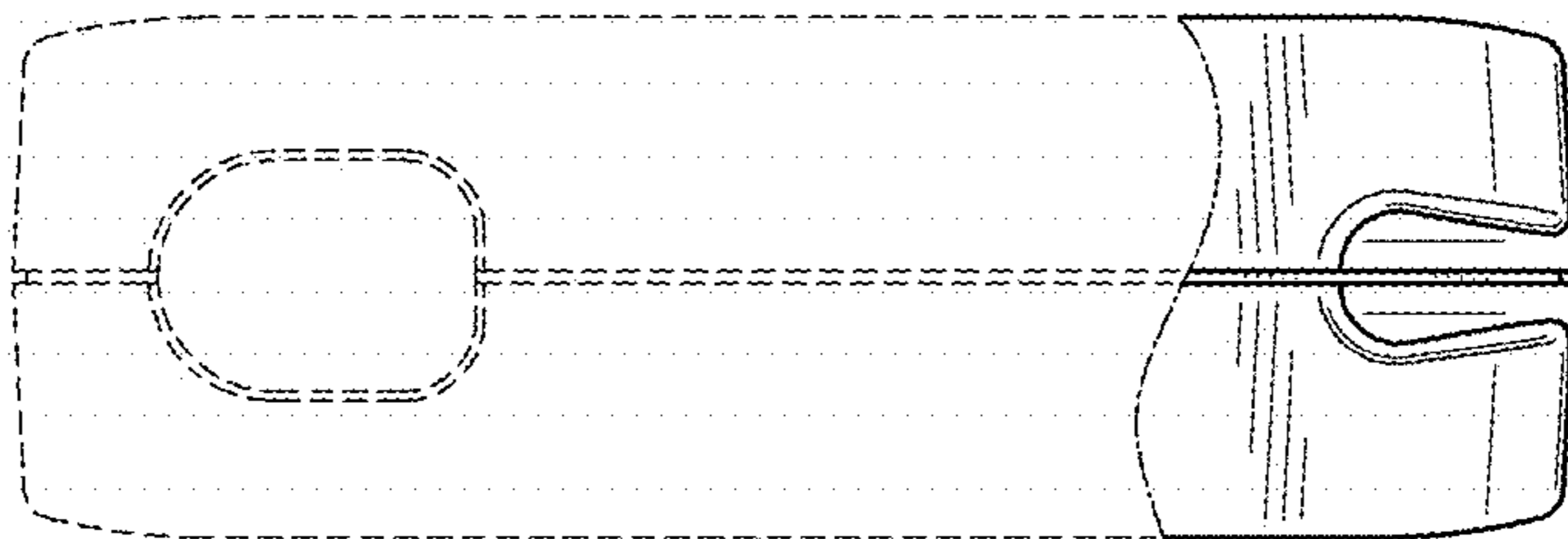


FIG. 7



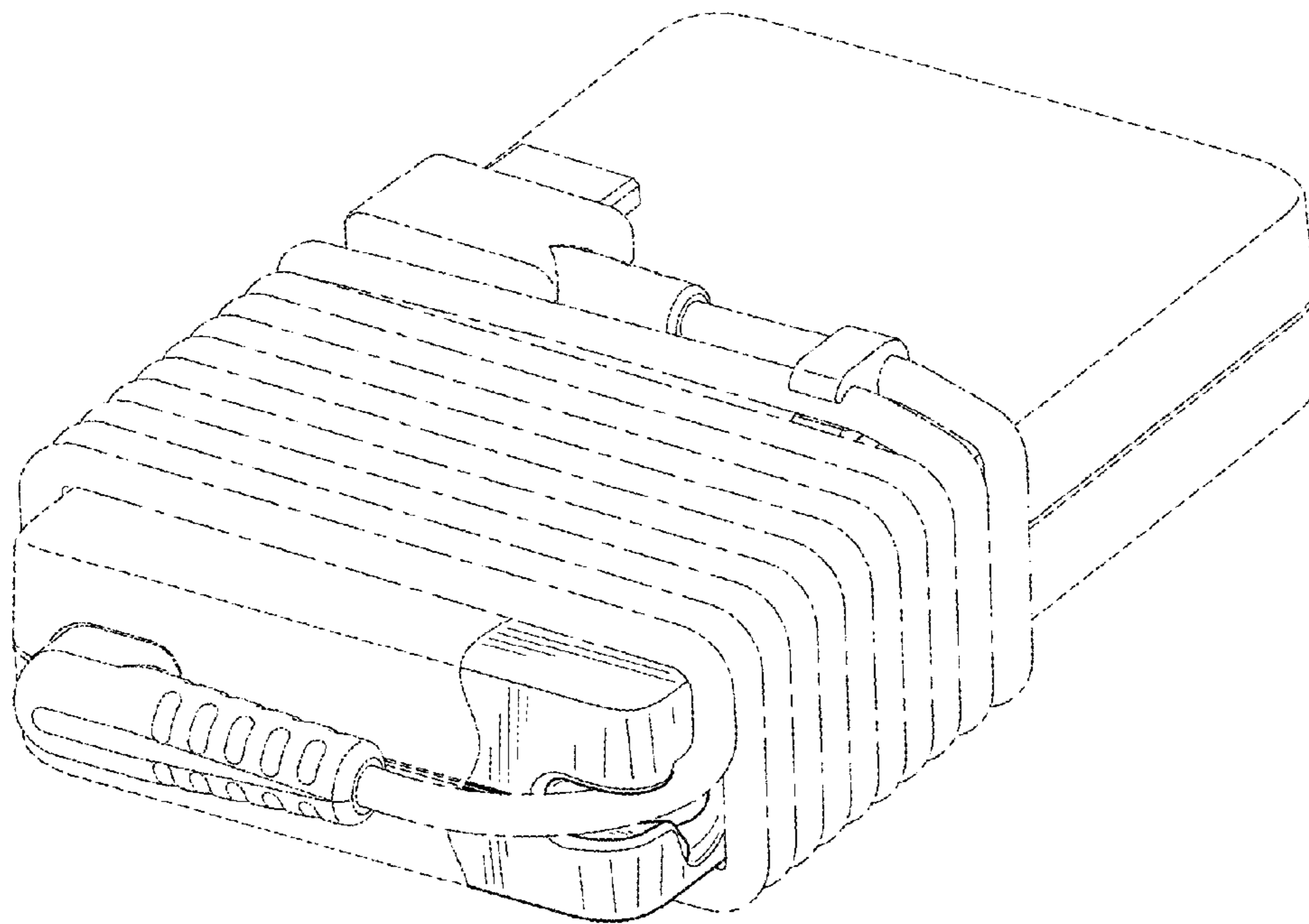


FIG. 8

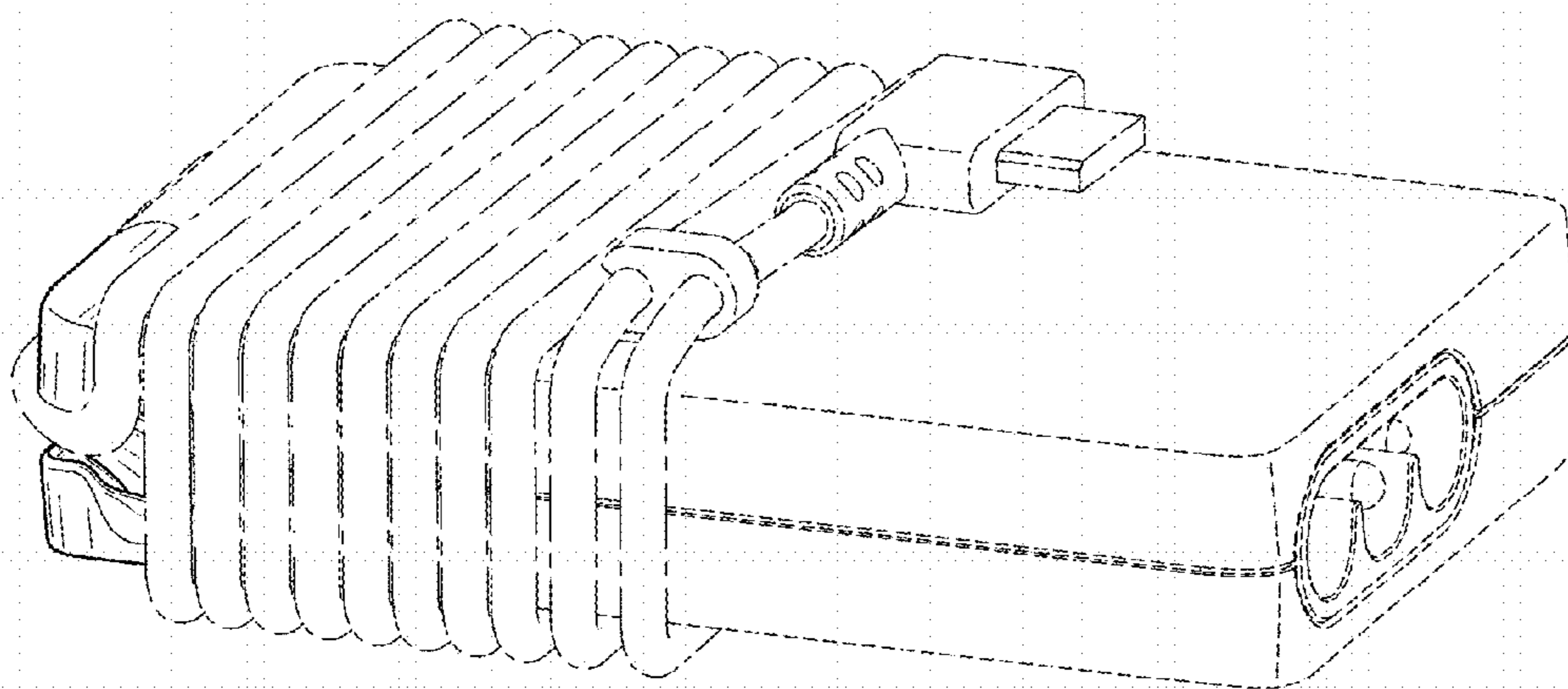


FIG. 9