



US00D694183S

(12) **United States Design Patent**
Matsuoka et al.

(10) **Patent No.:** **US D694,183 S**
(45) **Date of Patent:** **** Nov. 26, 2013**

(54) **POWER ADAPTER**

- (71) Applicant: **Google Inc.**, Mountain View, CA (US)
- (72) Inventors: **Yoshimichi Matsuoka**, Mountain View, CA (US); **Jeffrey Hayashida**, Mountain View, CA (US)
- (73) Assignee: **Google Inc.**, Mountain View, CA (US)
- (**) Term: **14 Years**
- (21) Appl. No.: **29/438,261**
- (22) Filed: **Nov. 28, 2012**

Related U.S. Application Data

(63) Continuation of application No. 29/422,367, filed on May 18, 2012, now abandoned.

(51) **LOC (9) Cl.** **13-02**

(52) **U.S. Cl.**
USPC **D13/110**

(58) **Field of Classification Search**

USPC D13/110, 107, 108, 123, 133, 137.1, D13/138.1, 199; 174/53, 54, 59, 61; 307/150, 151; 320/111, 114; 363/132, 363/140, 142, 143, 146; 439/105, 131, 166, 439/171-173, 218, 518, 692, 956; D14/240, 251, 253, 432, 433, 434

See application file for complete search history.

(56) **References Cited**

U.S. PATENT DOCUMENTS

D338,188 S * 8/1993 Lee et al. D13/110
5,613,863 A * 3/1997 Klaus et al. 439/131

(Continued)

Primary Examiner — Derrick Holland

(74) *Attorney, Agent, or Firm* — Lerner, David, Littenberg, Krumholz & Mentlik, LLP

(57) **CLAIM**

The ornamental design for a power adapter, as shown and described.

DESCRIPTION

FIG. 1 is a front-top perspective view of a power adapter according to our design in a first configuration thereof;

FIG. 2 is a front elevation view of the power adapter of FIG. 1;

FIG. 3 is a back elevation view of the power adapter of FIG. 1;

FIG. 4 is a right elevation view of the power adapter of FIG. 1;

FIG. 5 is a left elevation view of the power adapter of FIG. 1;

FIG. 6 is a top plan view of the power adapter of FIG. 1;

FIG. 7 is a bottom plan view of the power adapter of FIG. 1;

FIG. 8 is a front-bottom perspective view of the power adapter of FIG. 1;

FIG. 9 is a front-top perspective view of a power adapter according to our design in a second configuration thereof;

FIG. 10 is a front elevation view of the power adapter of FIG. 9;

FIG. 11 is a back elevation view of the power adapter of FIG. 9;

FIG. 12 is a right elevation view of the power adapter of FIG. 9;

FIG. 13 is a left elevation view of the power adapter of FIG. 9;

FIG. 14 is a top plan view of the power adapter of FIG. 9;

FIG. 15 is a bottom plan view of the power adapter of FIG. 9;

FIG. 16 is a front-bottom perspective view of the power adapter of FIG. 9;

FIG. 17 is a front-top perspective view of a power adapter according to our design in a third configuration thereof;

FIG. 18 is a front elevation view of the power adapter of FIG. 17;

FIG. 19 is a back elevation view of the power adapter of FIG. 17;

FIG. 20 is a right elevation view of the power adapter of FIG. 17;

FIG. 21 is a left elevation view of the power adapter of FIG. 17;

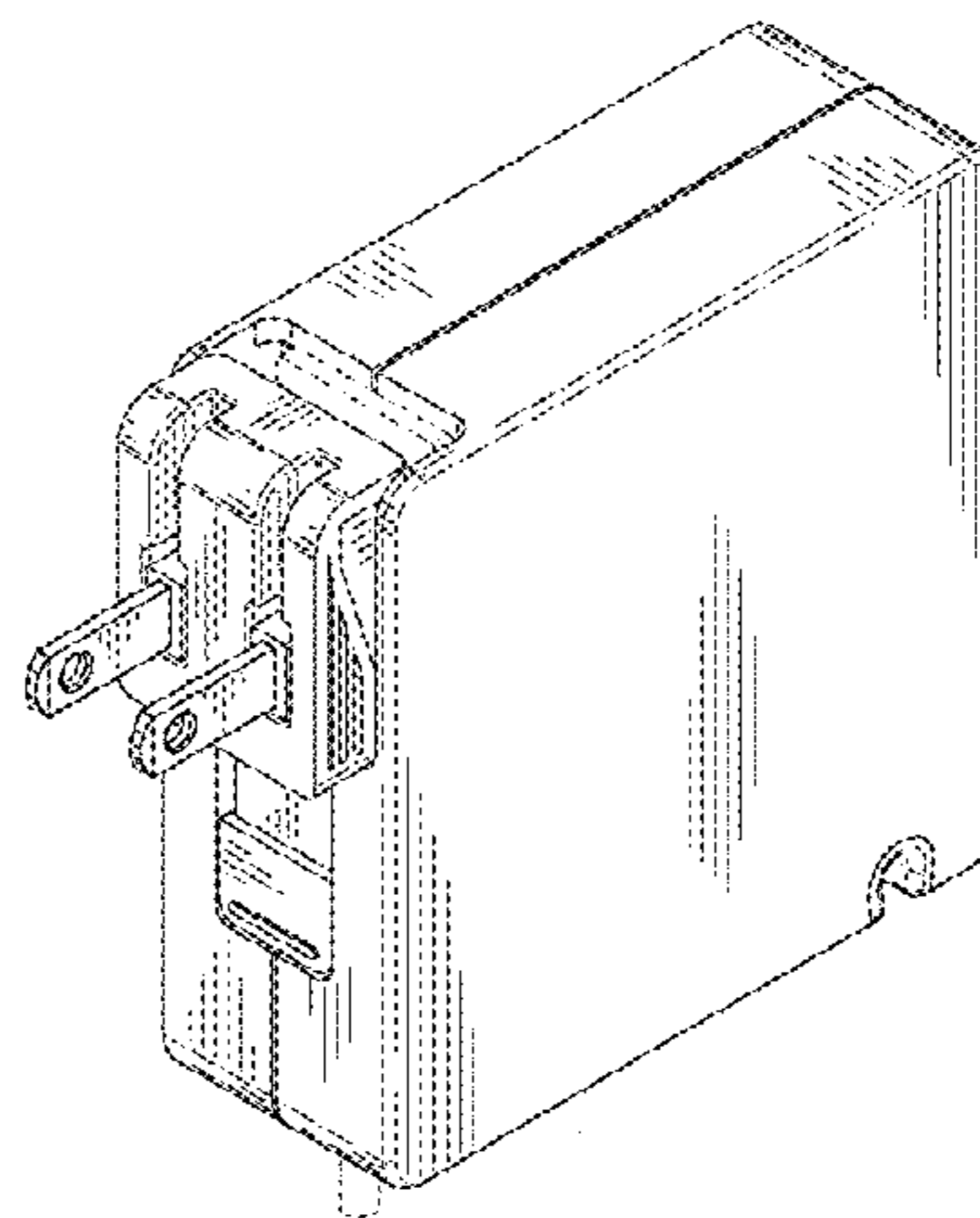
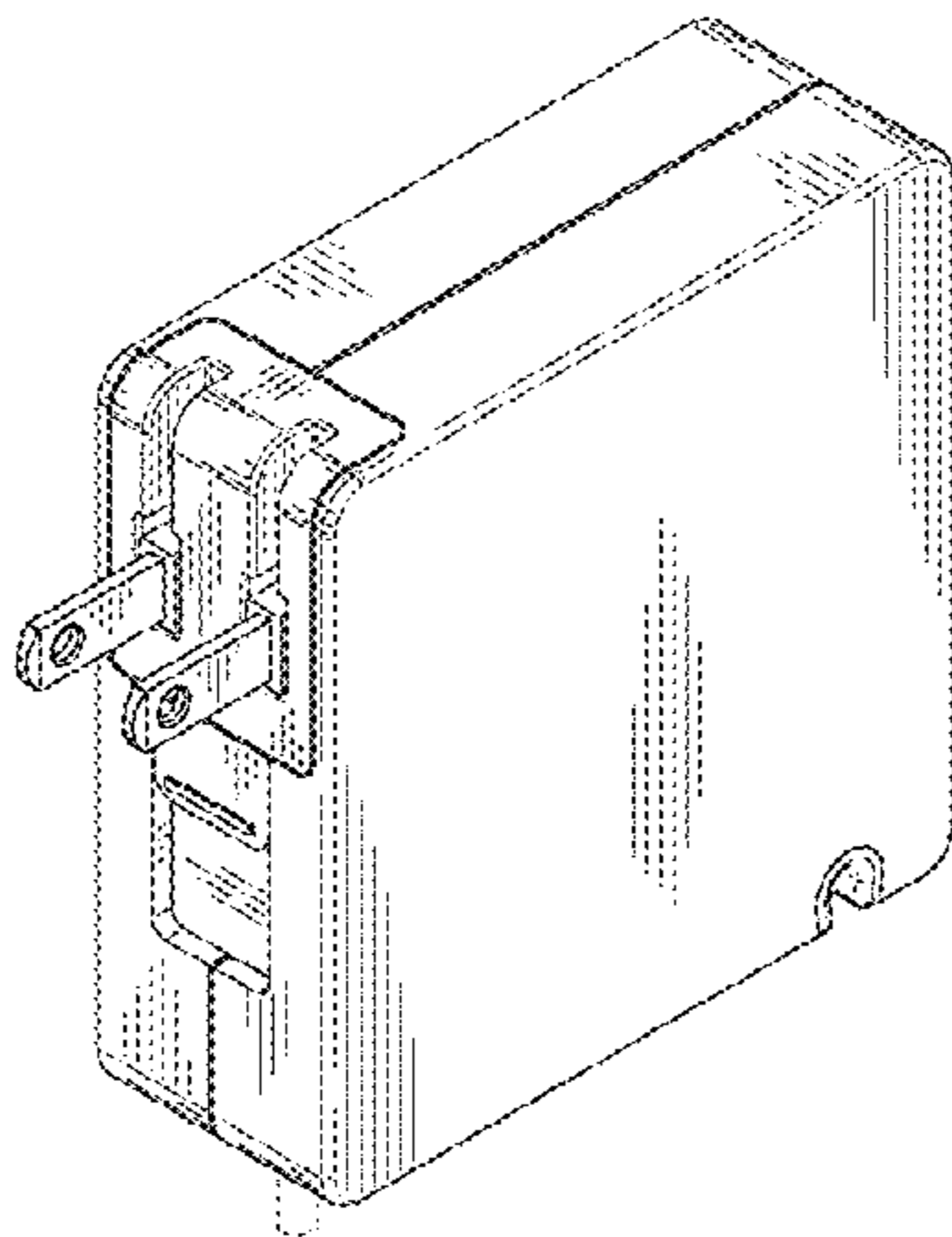
FIG. 22 is a top plan view of the power adapter of FIG. 17;

FIG. 23 is a bottom plan view of the power adapter of FIG. 17;

and, FIG. 24 is a front-bottom perspective view of the power adapter of FIG. 17.

The broken lines shown represent unclaimed subject matter and form no part of the claimed design.

1 Claim, 9 Drawing Sheets



(56)

References Cited

U.S. PATENT DOCUMENTS

5,684,689 A * 11/1997 Hahn 363/146
6,086,395 A * 7/2000 Lloyd et al. 439/172
D428,862 S * 8/2000 Queffelec et al. D13/184
D456,008 S * 4/2002 Kawanobe et al. D13/110
D478,310 S 8/2003 Andre et al.
D478,546 S 8/2003 Andre et al.
D479,823 S 9/2003 Andre et al.
D498,462 S 11/2004 Andre et al.
D519,922 S 5/2006 Andre et al.
D552,034 S 10/2007 Hobson et al.
D573,946 S 7/2008 Ledbetter et al.

D587,192 S * 2/2009 McGinley et al. D13/110
D593,031 S * 5/2009 Miyatake et al. D13/110
D595,654 S 7/2009 Andre et al.
D599,738 S 9/2009 Amidei et al.
D611,415 S 3/2010 Andre et al.
D621,782 S 8/2010 Chang et al.
7,766,698 B1 8/2010 De Iuliis et al.
D623,136 S 9/2010 Andre et al.
D638,357 S 5/2011 Sasada et al.
D639,238 S 6/2011 Serrano
D658,123 S 4/2012 Andre et al.
D662,473 S 6/2012 Andre et al.
8,222,773 B2 7/2012 De Iuliis et al.

* cited by examiner

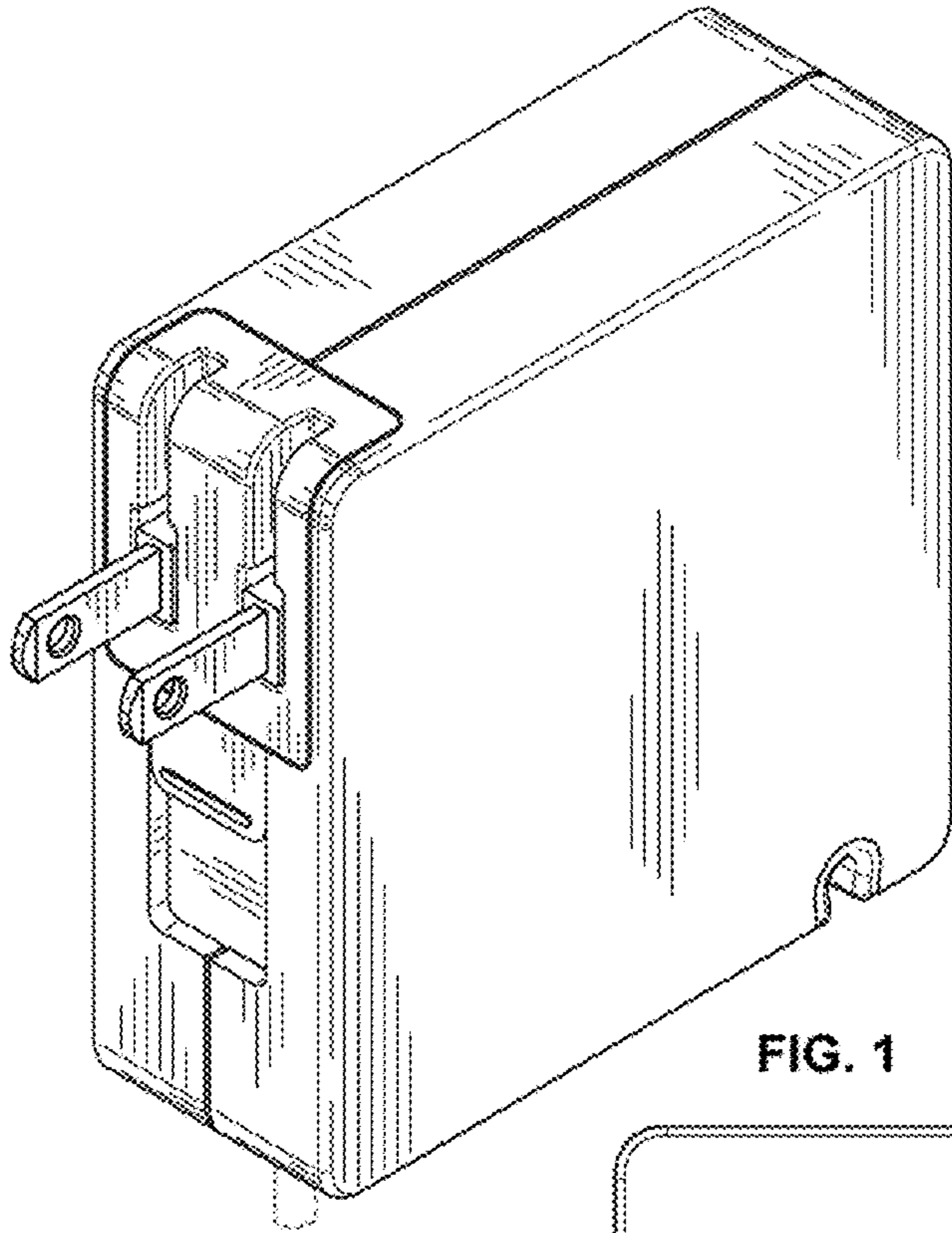


FIG. 1

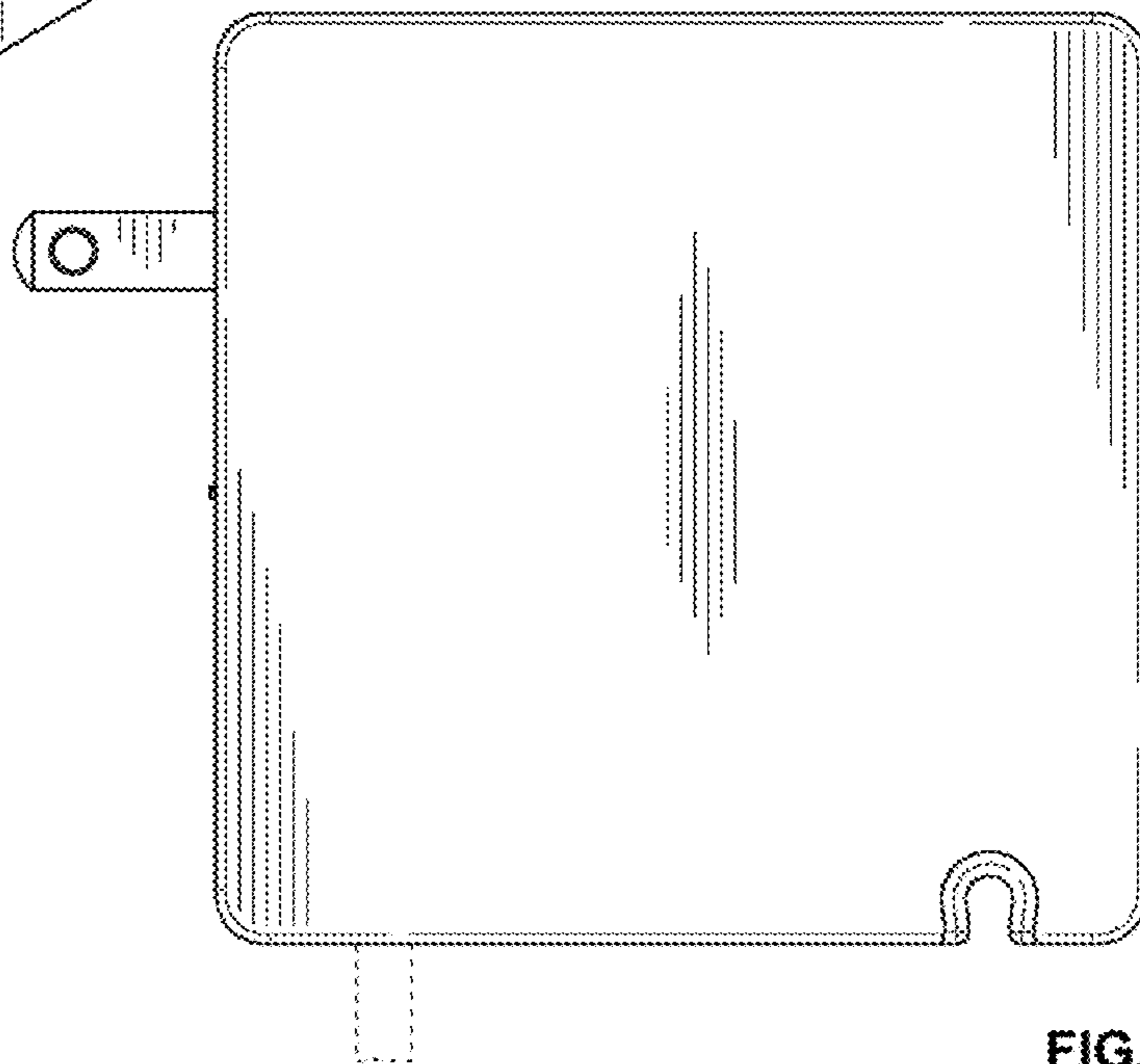


FIG. 2

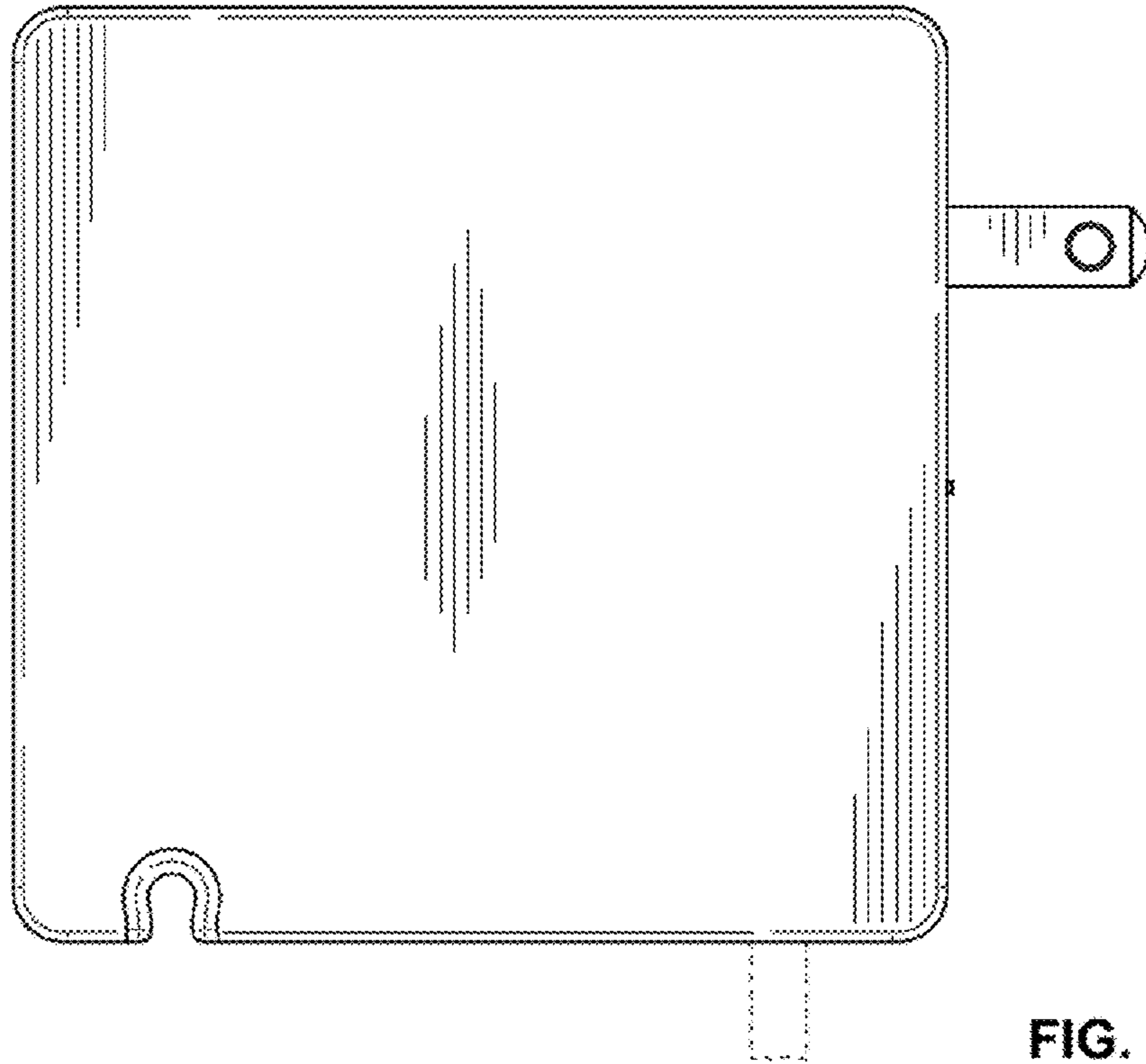


FIG. 3

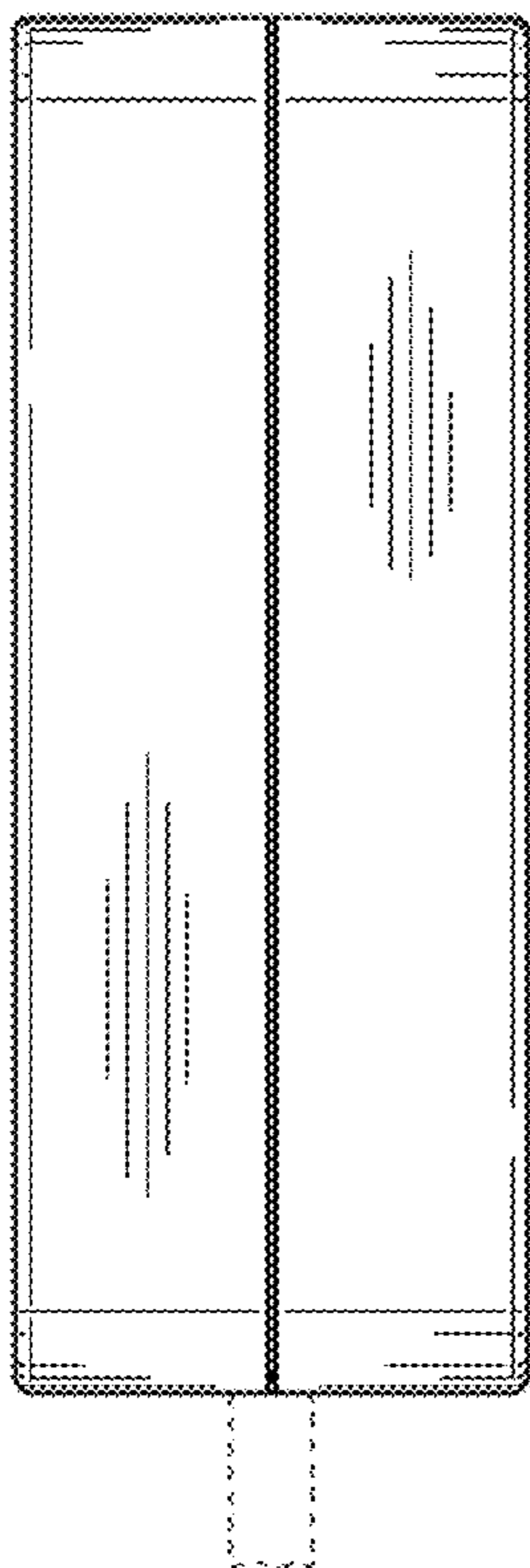


FIG. 4

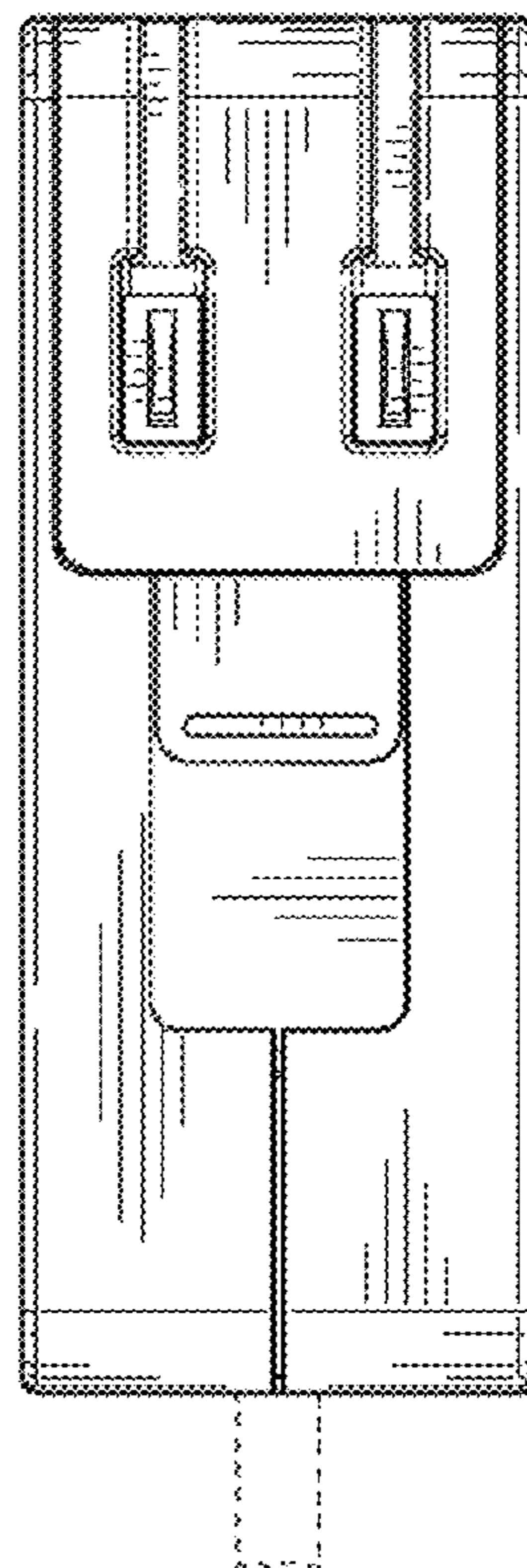


FIG. 5



FIG. 6

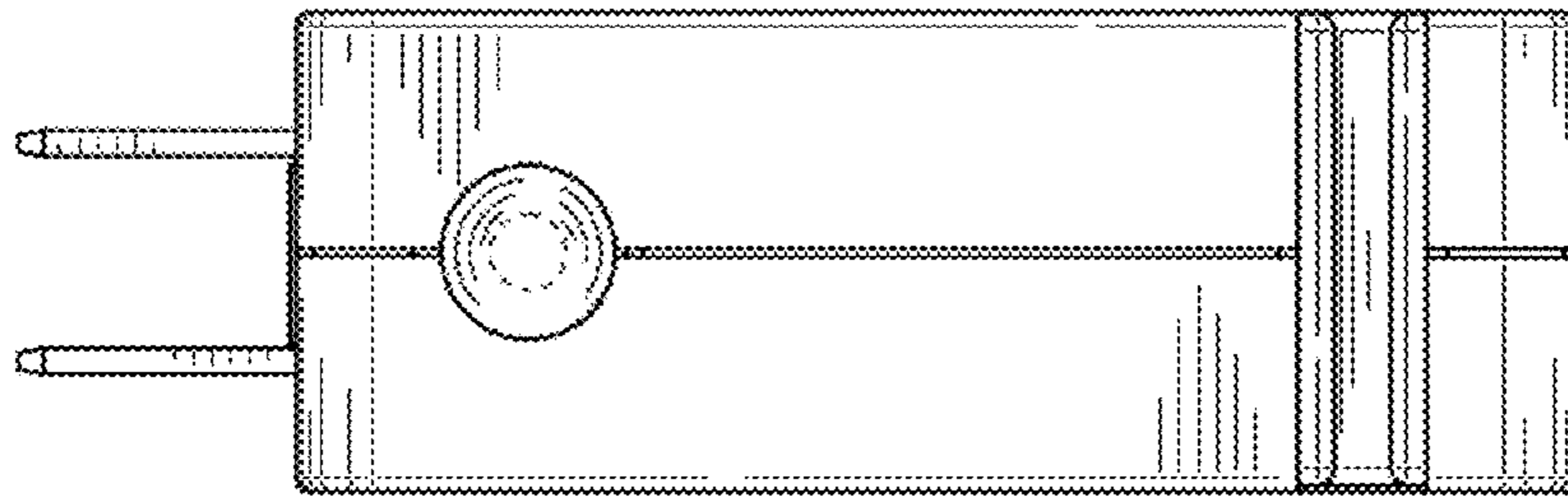


FIG. 7

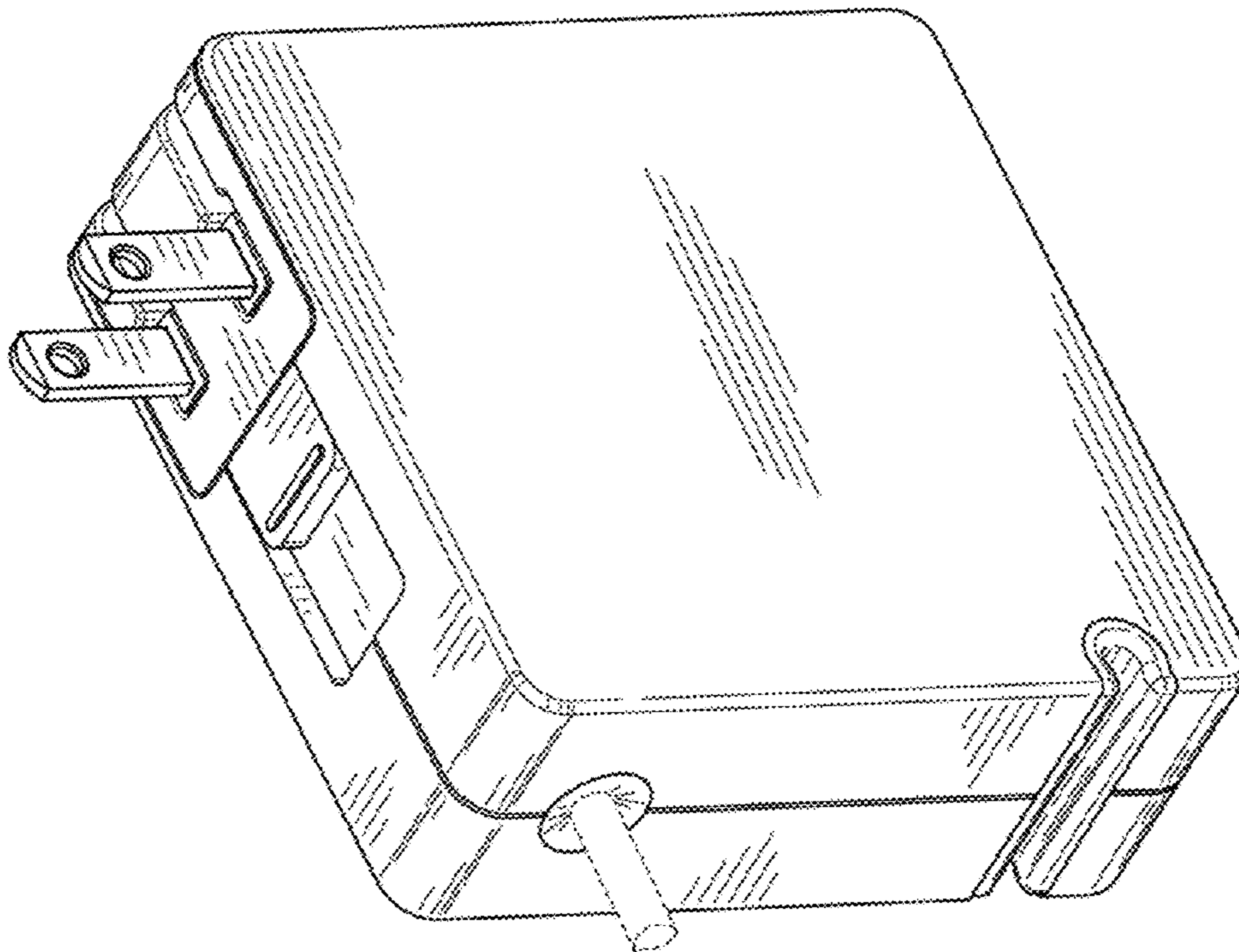


FIG. 8

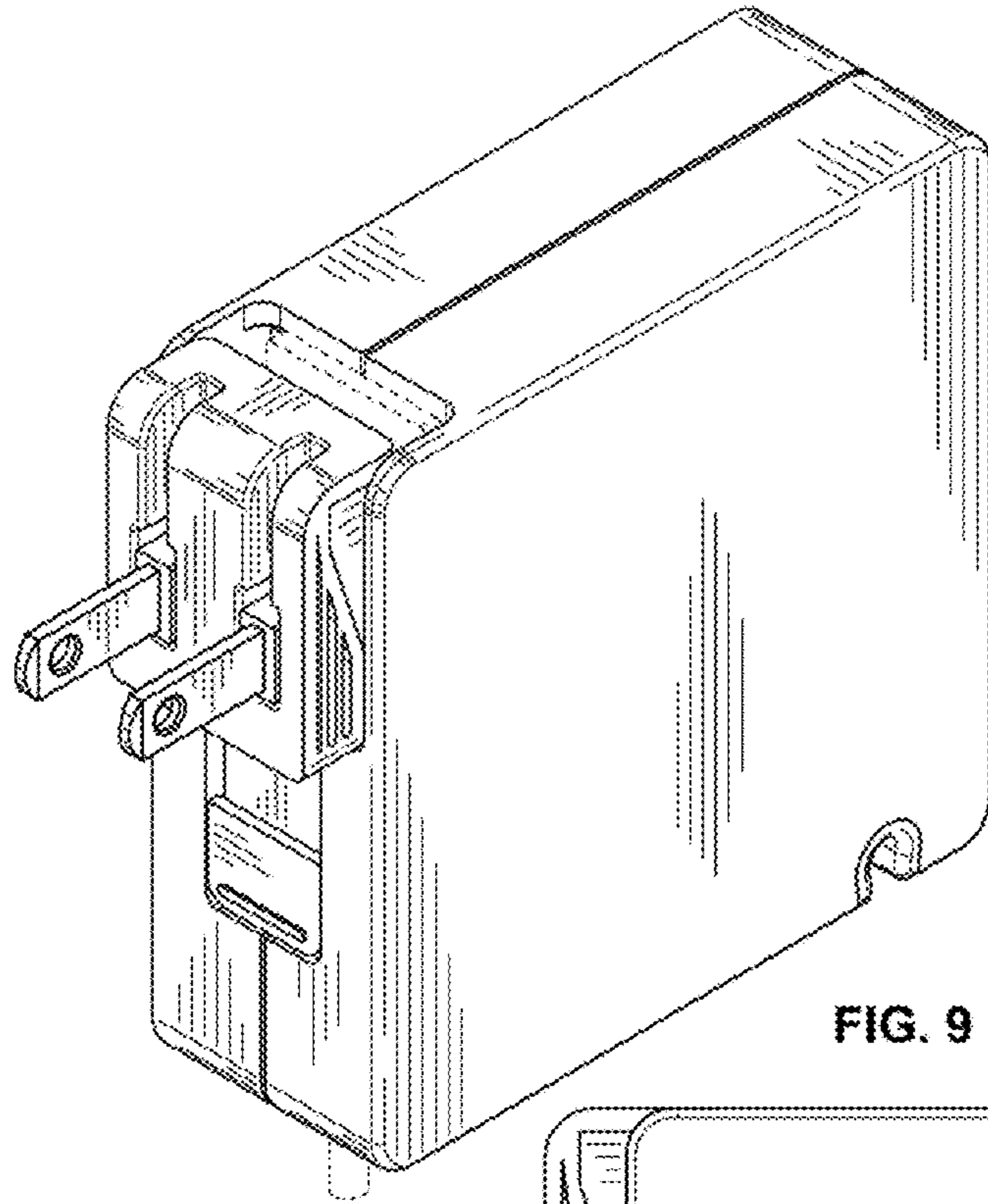


FIG. 9

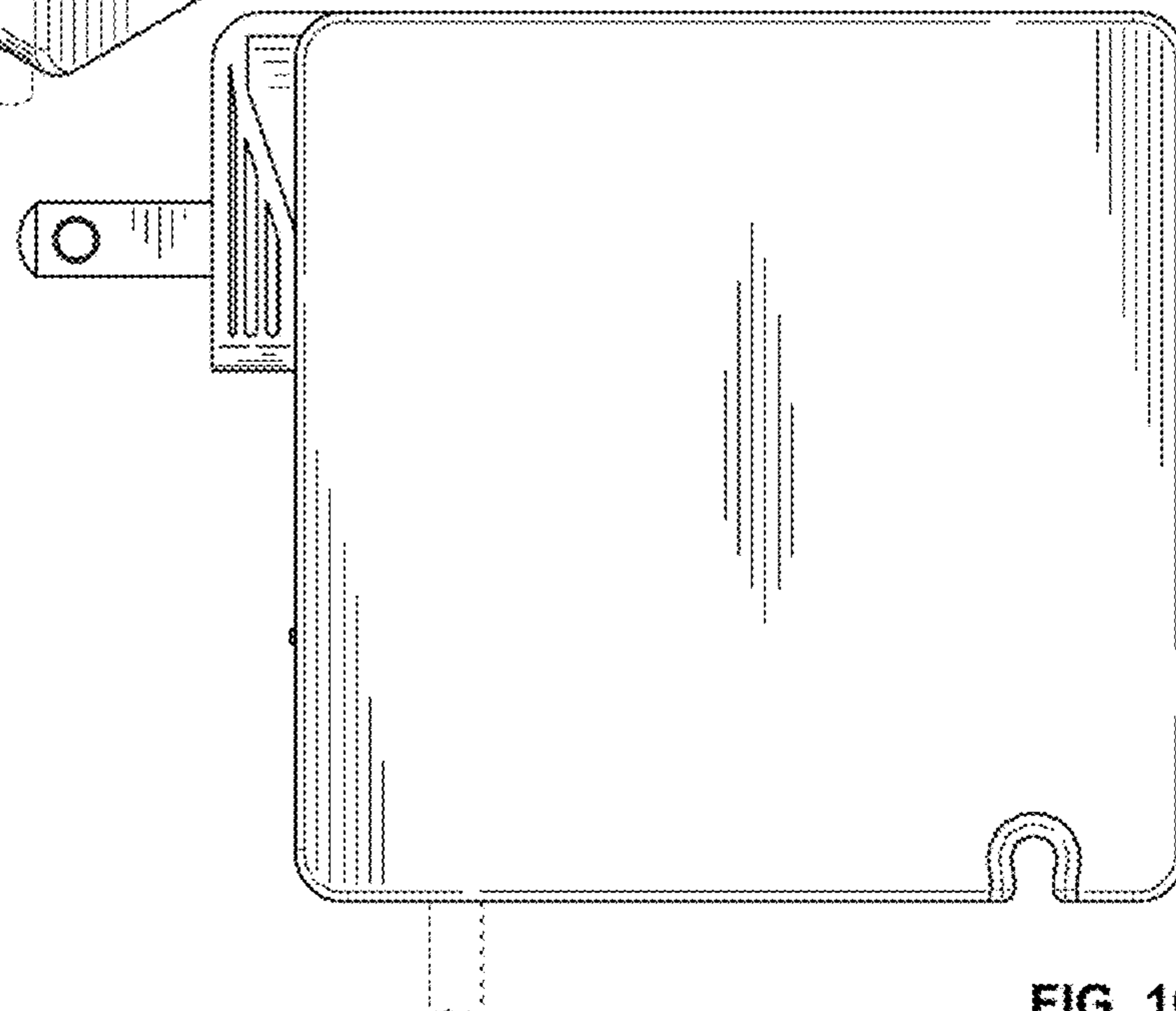


FIG. 10

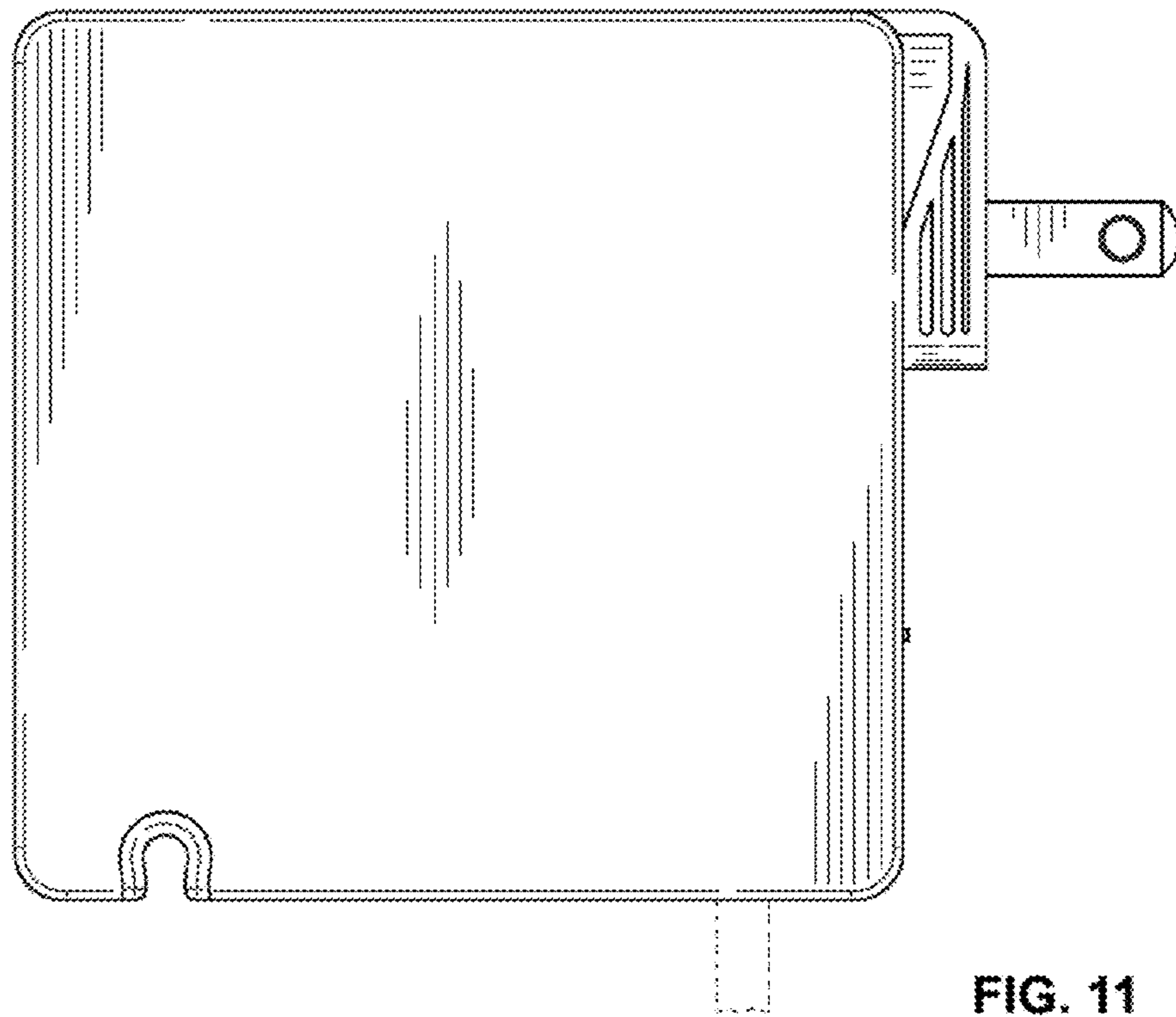


FIG. 11

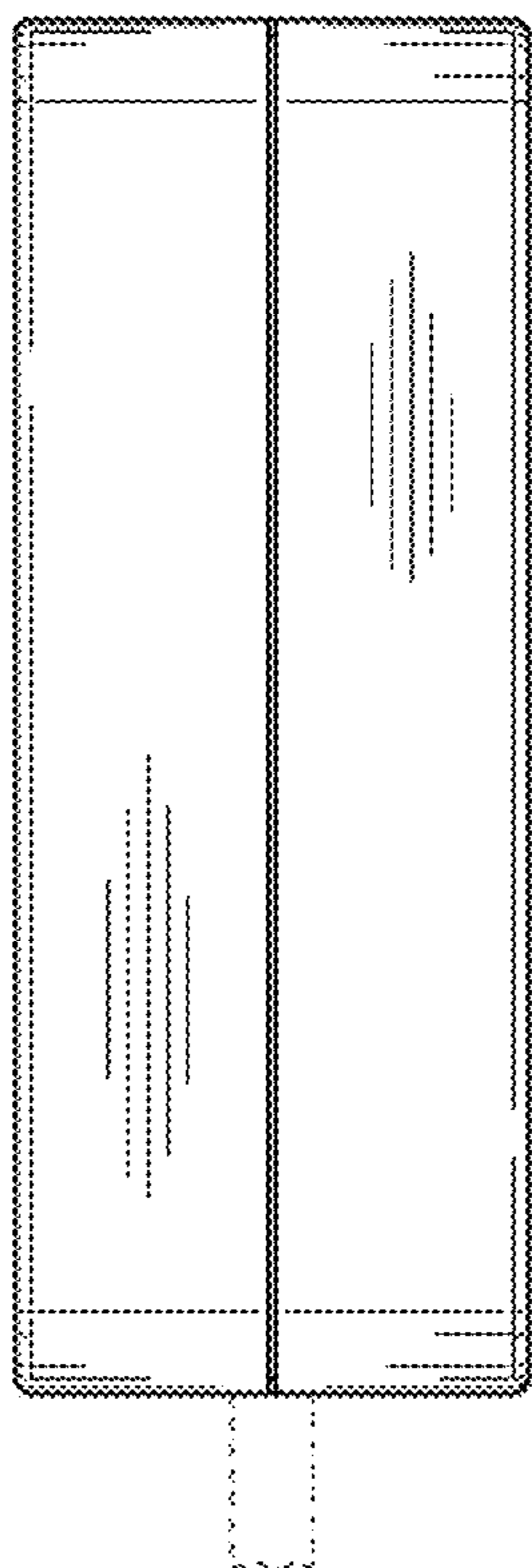


FIG. 12

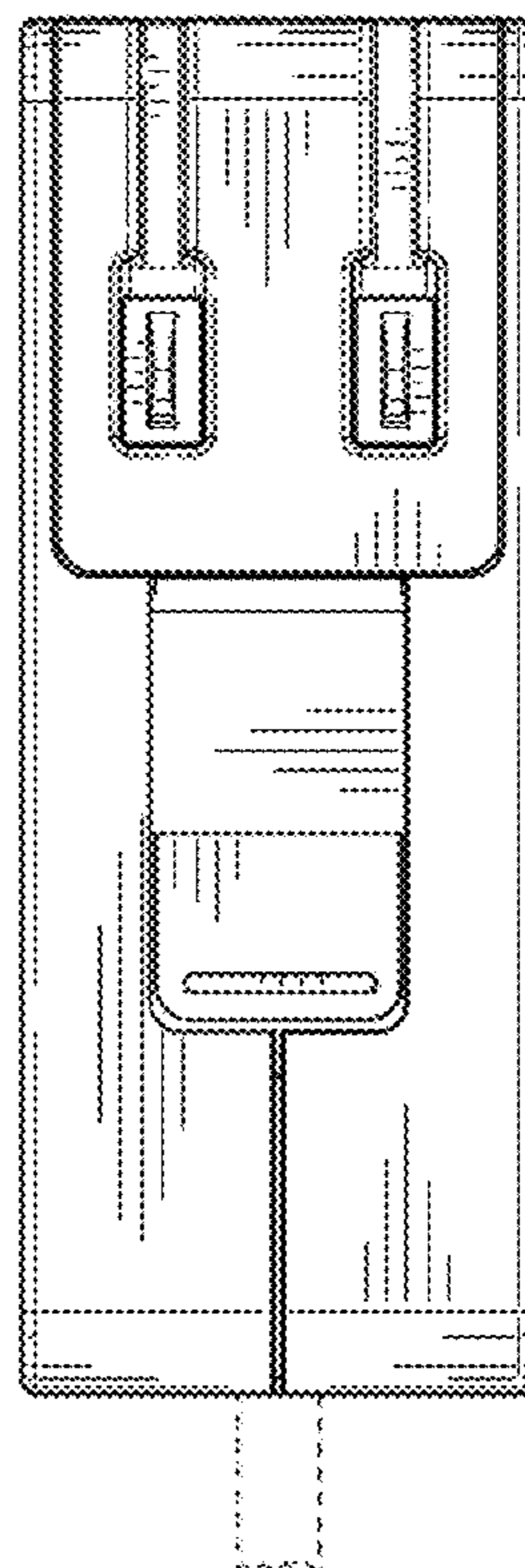


FIG. 13

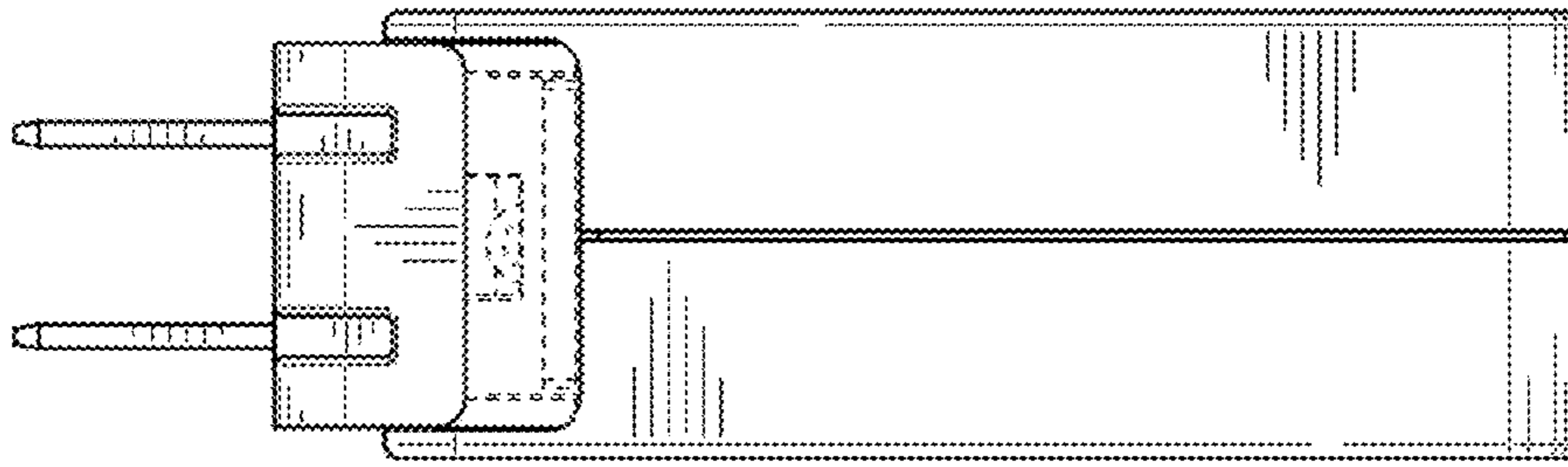


FIG. 14

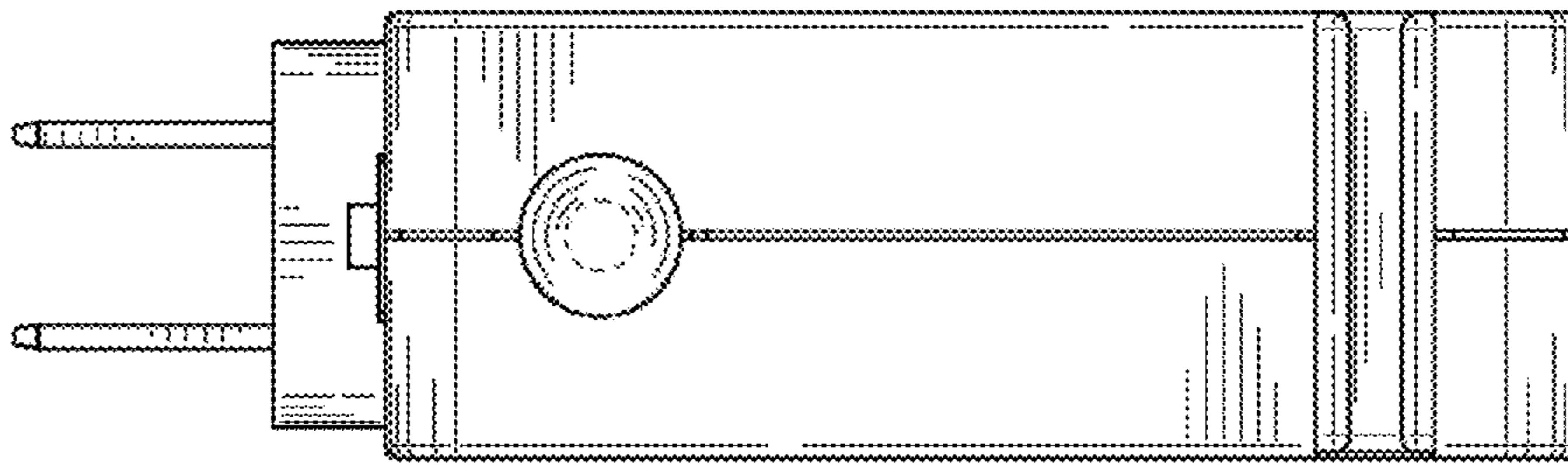


FIG. 15

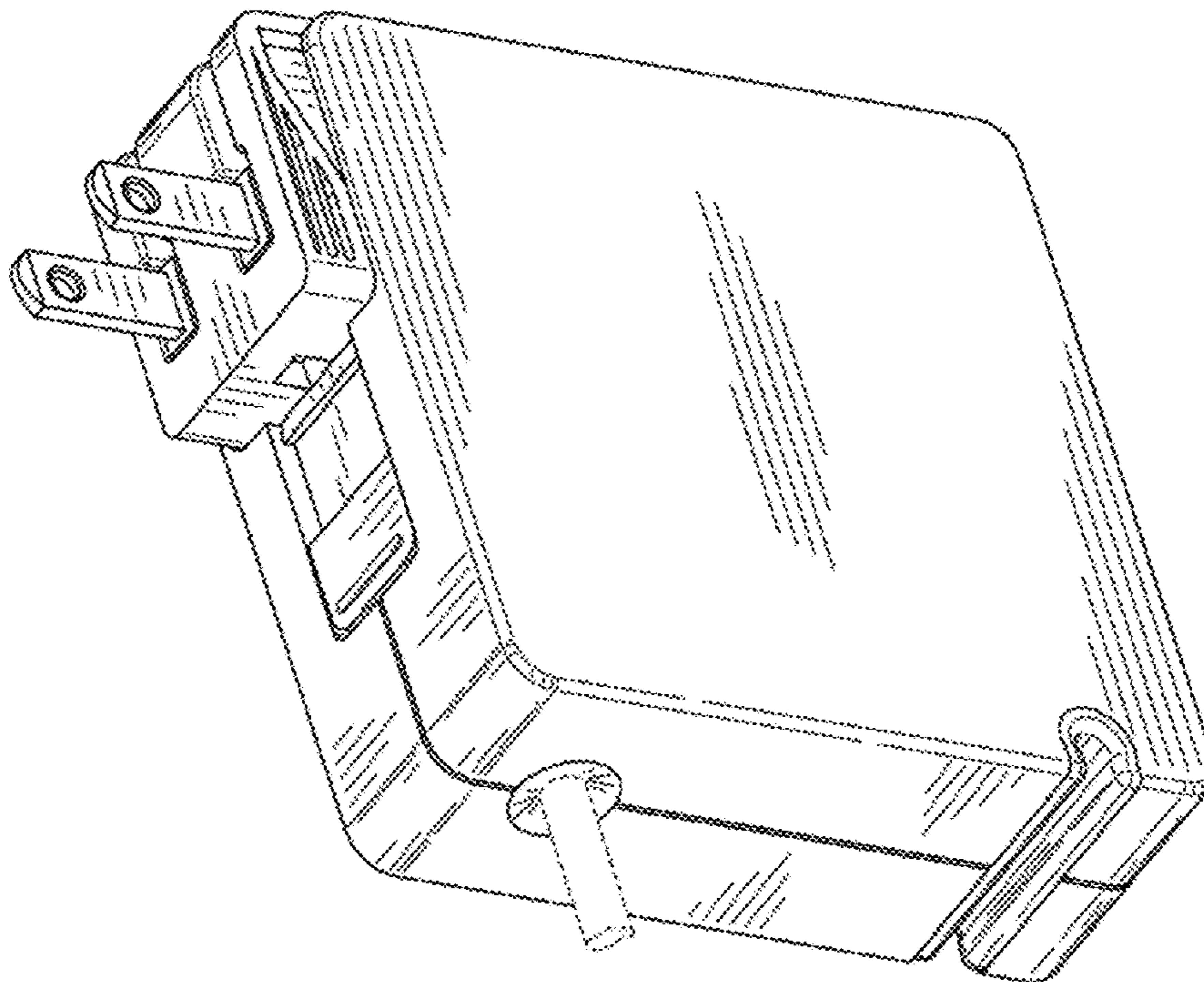


FIG. 16

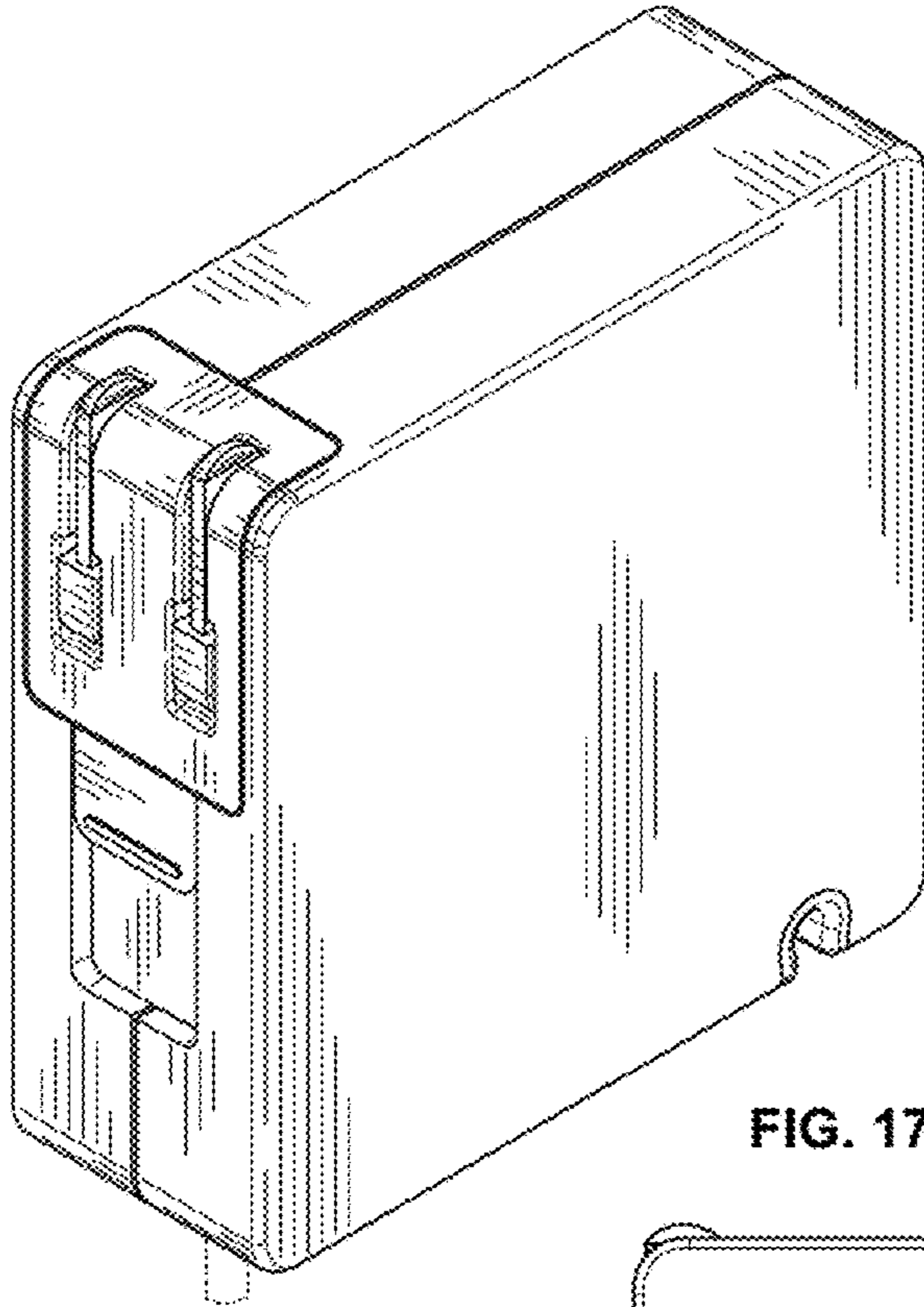


FIG. 17

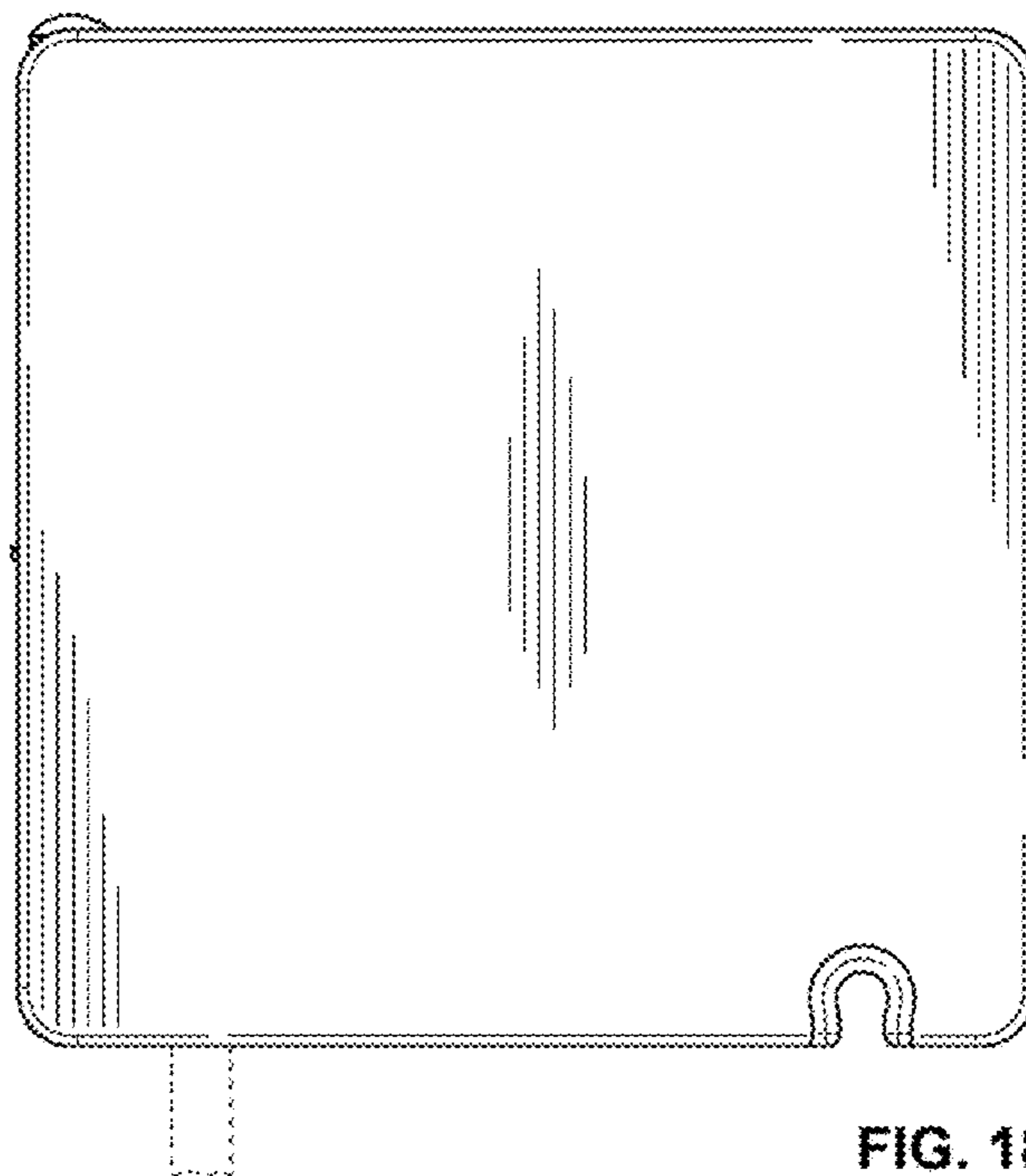


FIG. 18

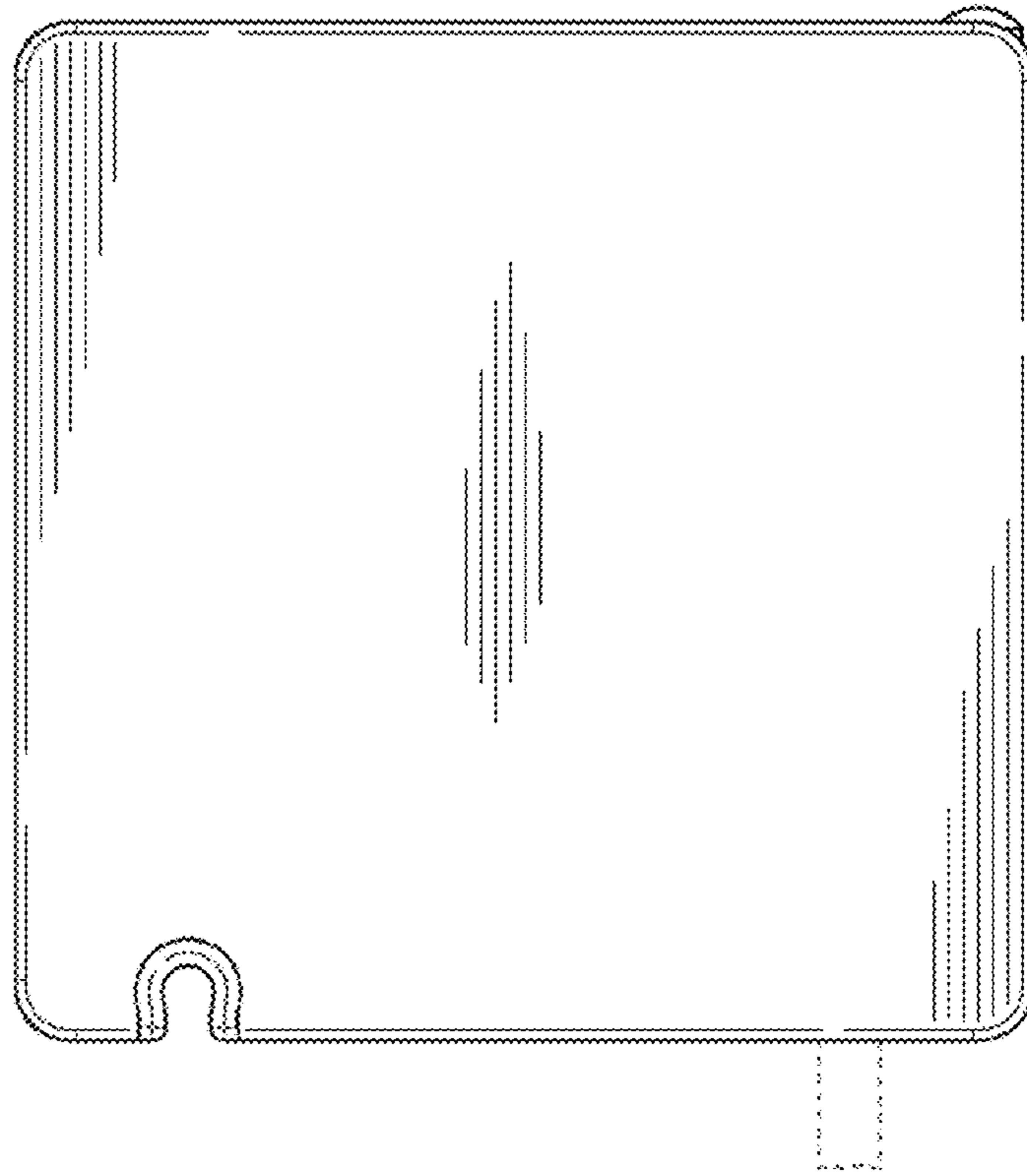


FIG. 19

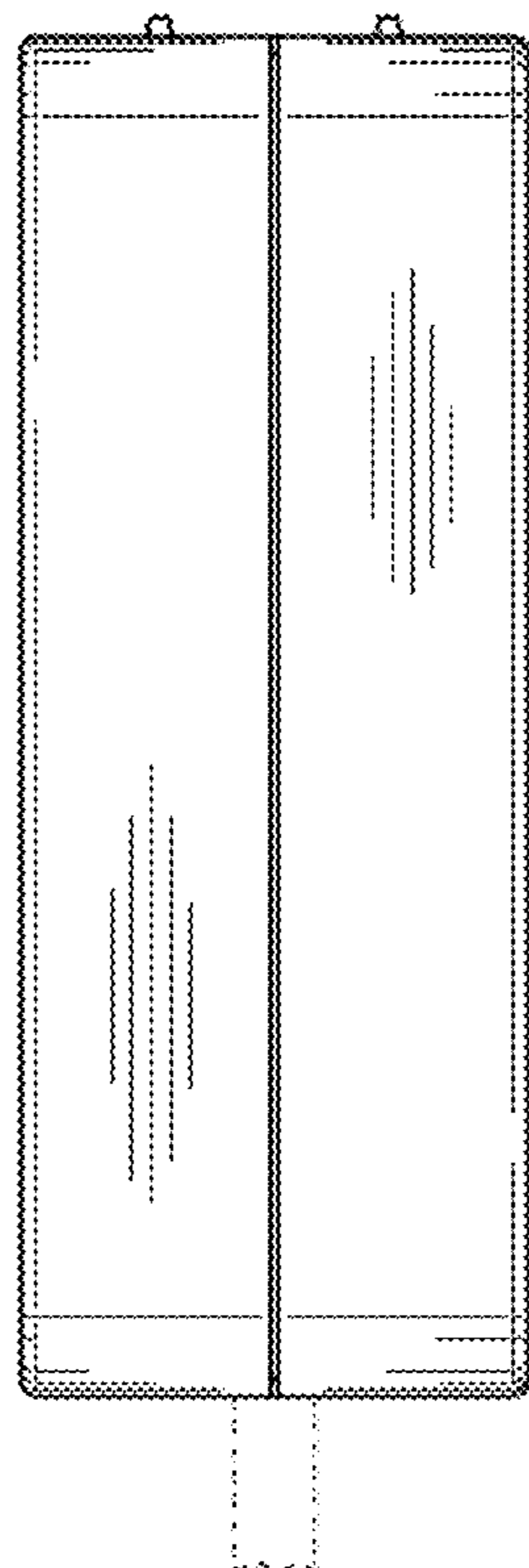


FIG. 20

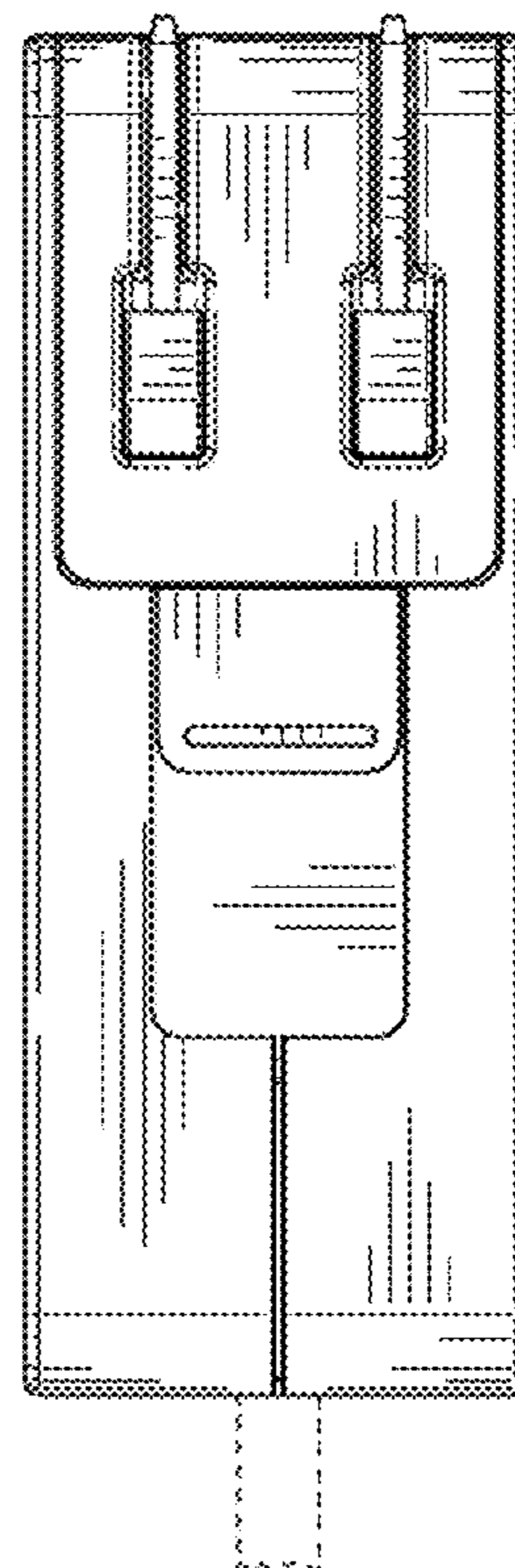


FIG. 21

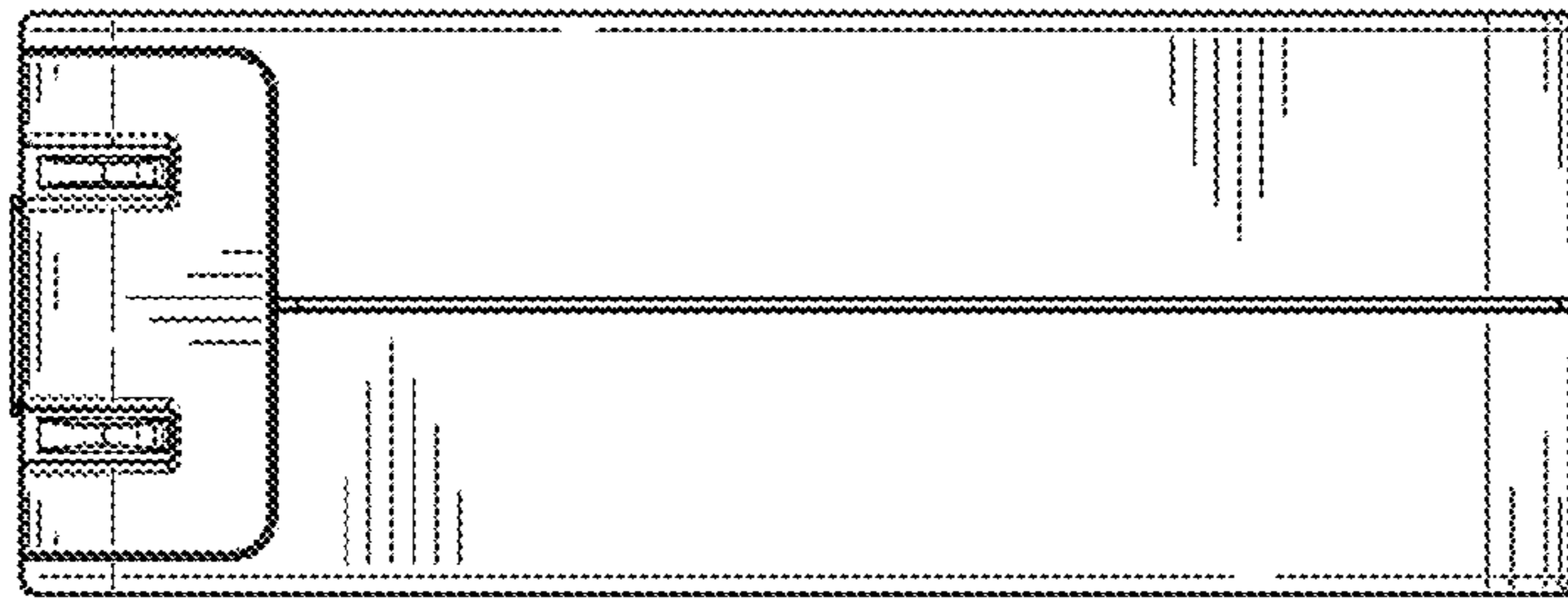


FIG. 22

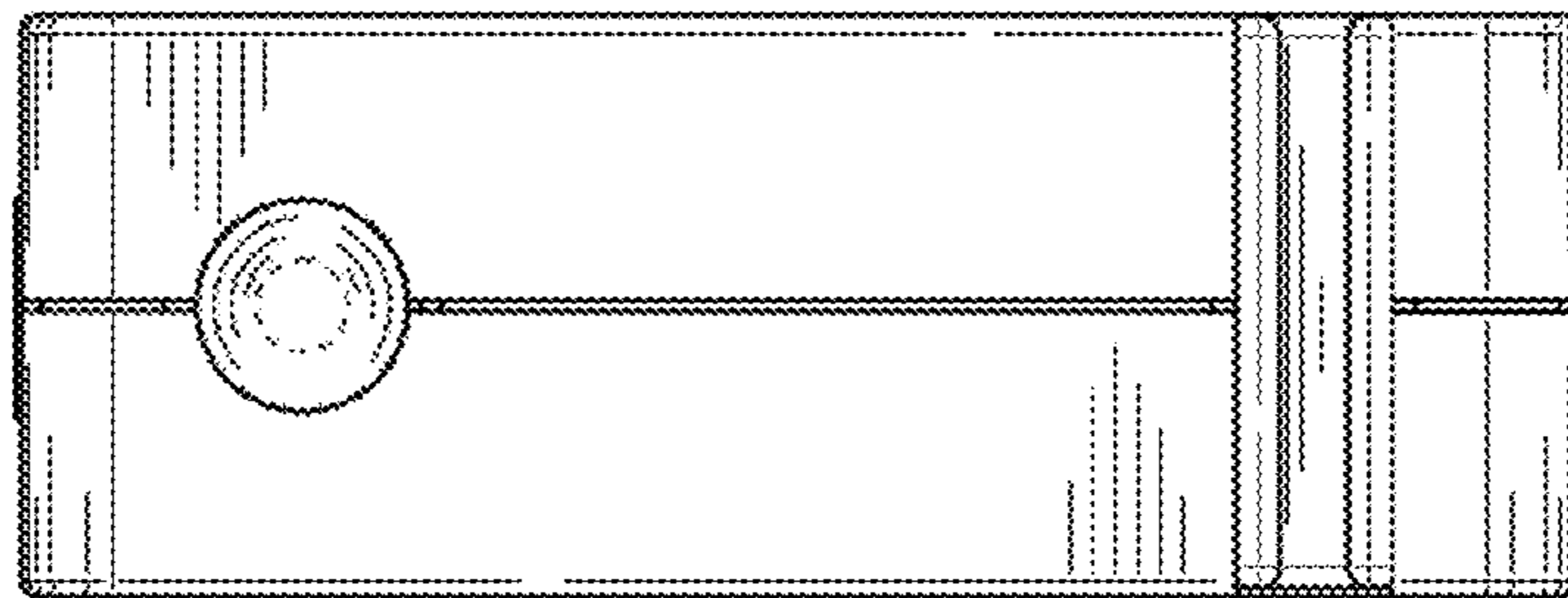


FIG. 23

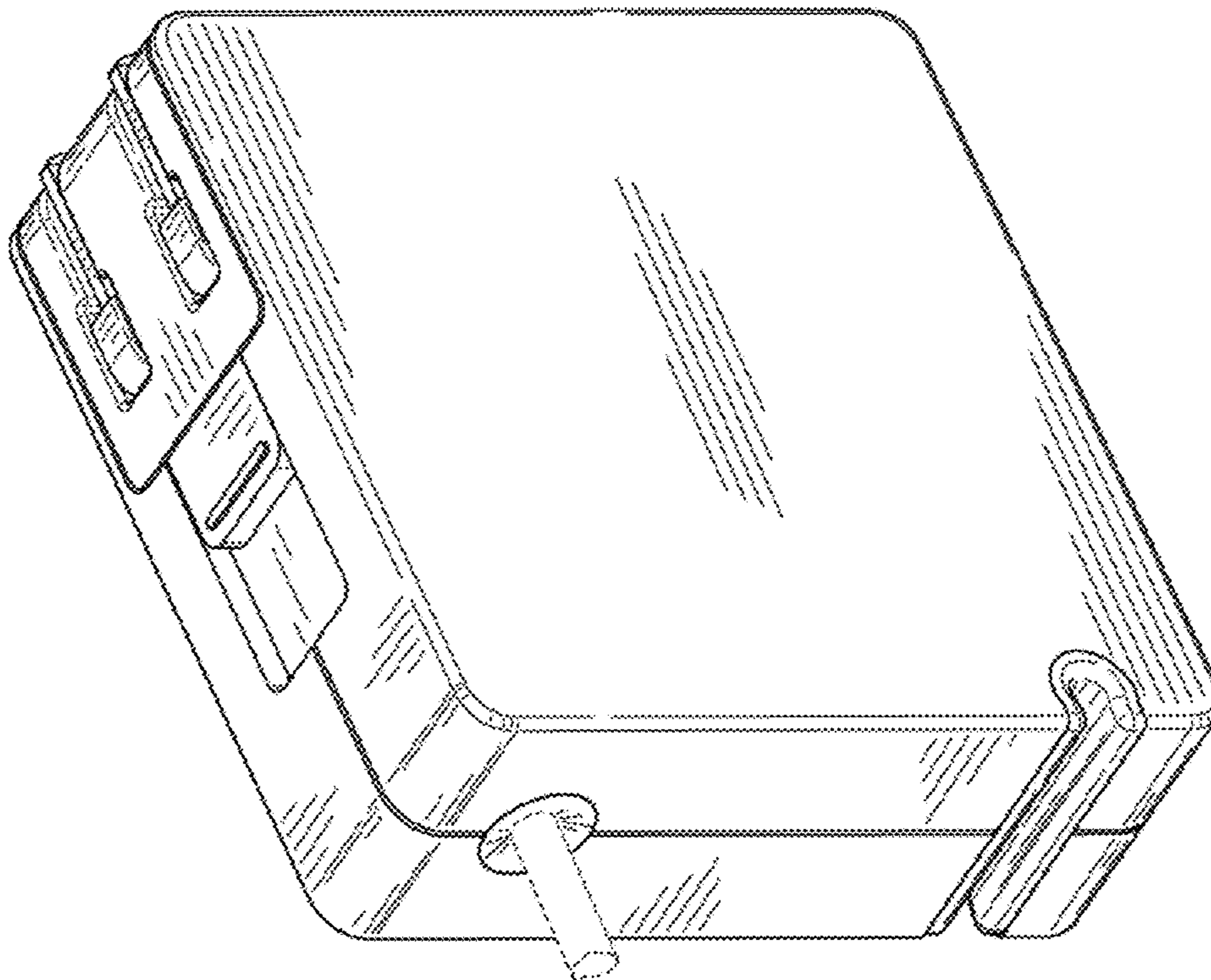


FIG. 24