



US00D694182S

(12) **United States Design Patent**
Lee et al.

(10) **Patent No.:** **US D694,182 S**
(45) **Date of Patent:** **** Nov. 26, 2013**

(54) **CHARGER FOR MOBILE PHONES**

(71) Applicant: **LG Electronics Inc.**, Seoul (KR)

(72) Inventors: **Ho Phil Lee**, Seoul (KR); **Bo Ra Choi**, Seoul (KR); **Seung Beom Park**, Seoul (KR)

(73) Assignee: **LG Electronics Inc.**, Seoul (KR)

(**) Term: **14 Years**

(21) Appl. No.: **29/448,538**

(22) Filed: **Mar. 13, 2013**

(30) **Foreign Application Priority Data**

Oct. 25, 2012 (KR) 30-2012-0050818

(51) **LOC (9) Cl.** **13-02**

(52) **U.S. Cl.**
USPC **D13/108**

(58) **Field of Classification Search**
USPC D13/107-110, 118-119, 184, 199;
D14/217, 251, 253, 432, 434;
320/107-115
See application file for complete search history.

(56) **References Cited**

U.S. PATENT DOCUMENTS

D433,994 S * 11/2000 Jobs et al. D13/110
D467,539 S * 12/2002 Kataoka D13/108

D508,458 S * 8/2005 Solland et al. D13/108
D527,704 S * 9/2006 Rodarte D13/108
D558,208 S * 12/2007 Ikeda et al. D14/434
D609,636 S * 2/2010 Jensen D13/108
D620,884 S * 8/2010 Lee et al. D13/108
D627,718 S * 11/2010 Houghton D13/108
D645,818 S * 9/2011 Guccione et al. D13/108
D654,431 S * 2/2012 Stephanchick et al. D13/108
D659,093 S * 5/2012 Schmid et al. D13/108
D680,541 S * 4/2013 Lee et al. D14/434

* cited by examiner

Primary Examiner — Rosemary K Tarcza

(74) *Attorney, Agent, or Firm* — Morgan, Lewis & Bockius LLP

(57) **CLAIM**

We claim the ornamental design for a charger for mobile phones, as shown and described.

DESCRIPTION

FIG. 1 is a perspective view of a charger for mobile phones showing the new design;
FIG. 2 is a front elevation view thereof;
FIG. 3 is a rear elevation view thereof;
FIG. 4 is a left-side elevation view thereof;
FIG. 5 is a right-side elevation view thereof;
FIG. 6 is a top plan view thereof; and,
FIG. 7 is a bottom plan view thereof.

1 Claim, 4 Drawing Sheets

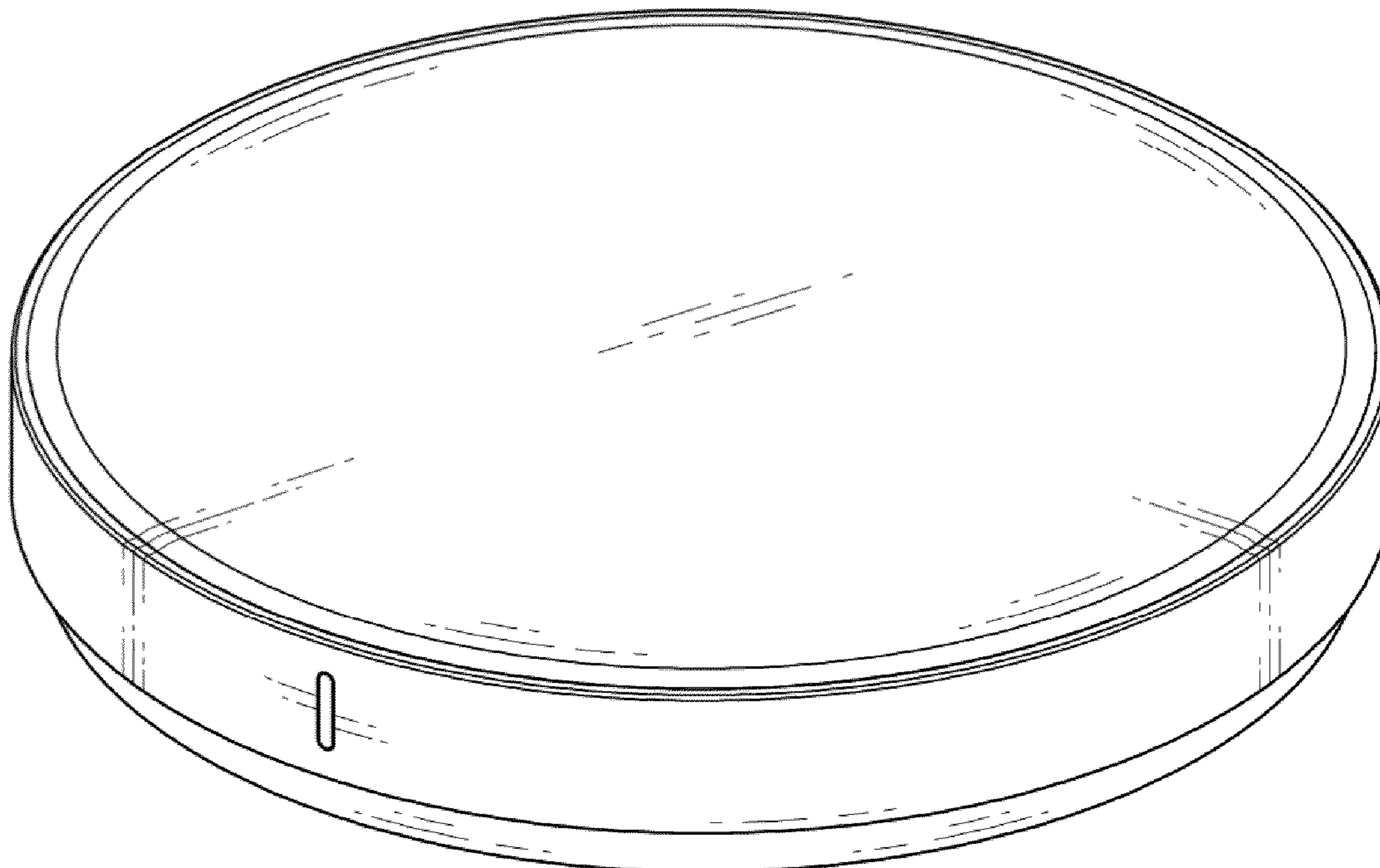


FIG. 1

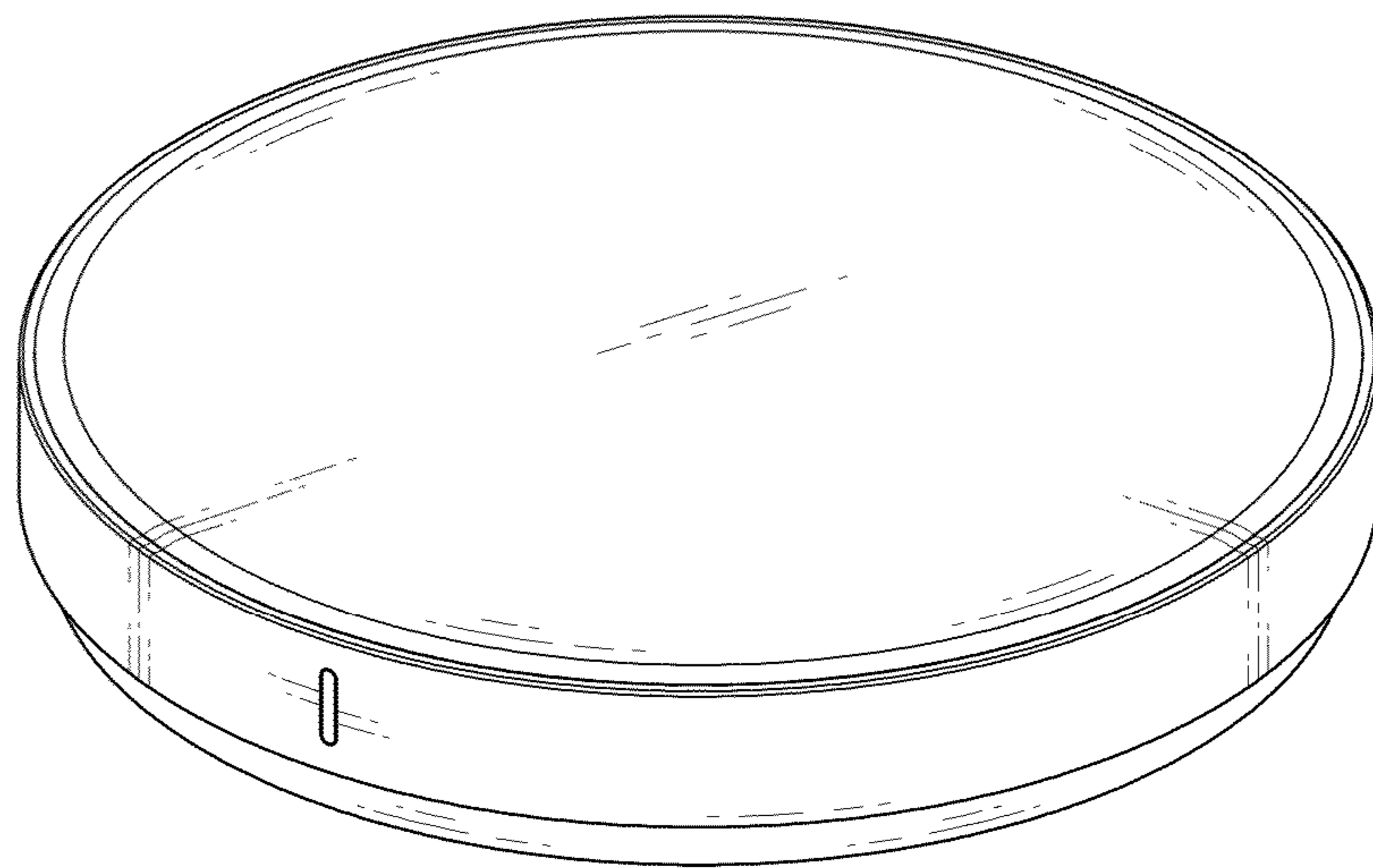


FIG. 2

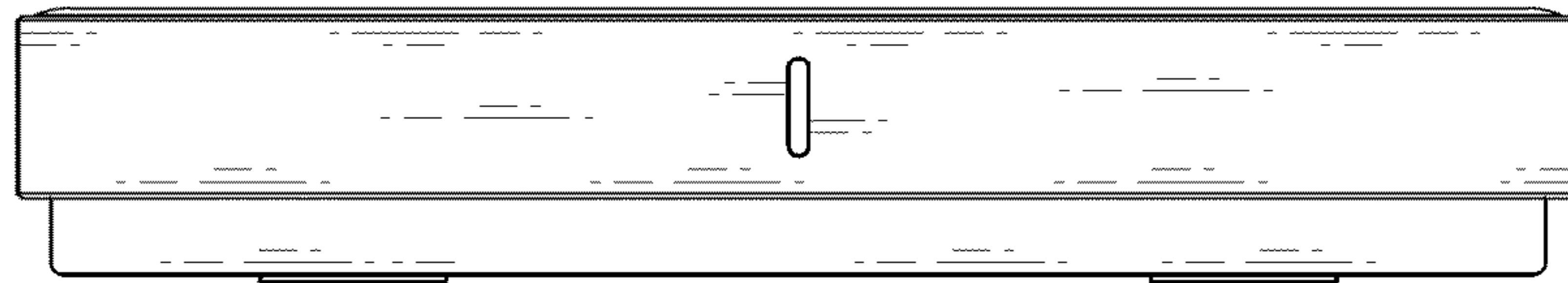


FIG. 3

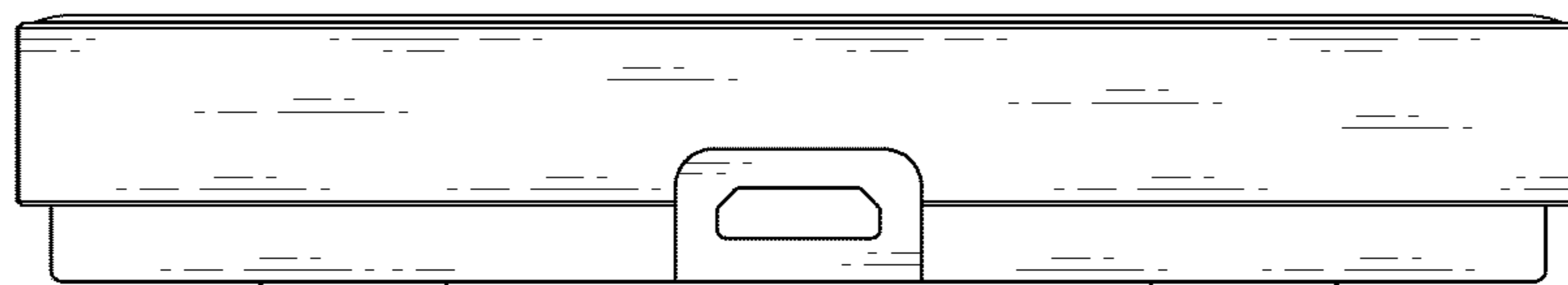


FIG.4



FIG.5

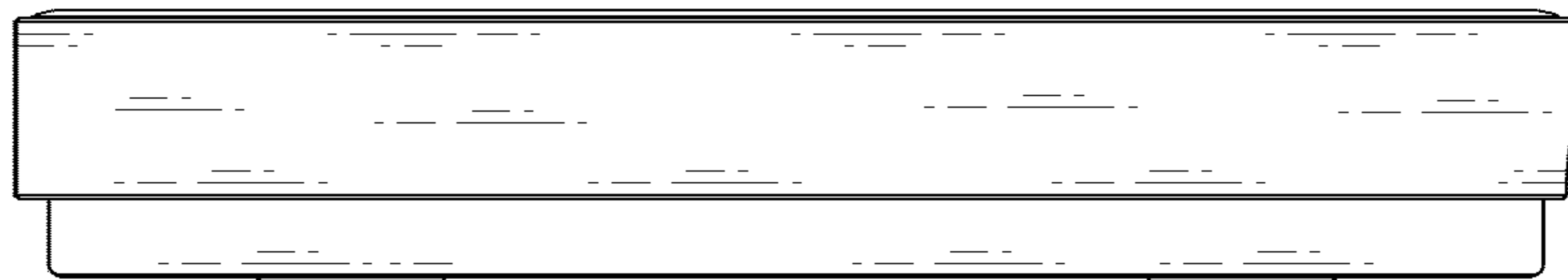


FIG. 6

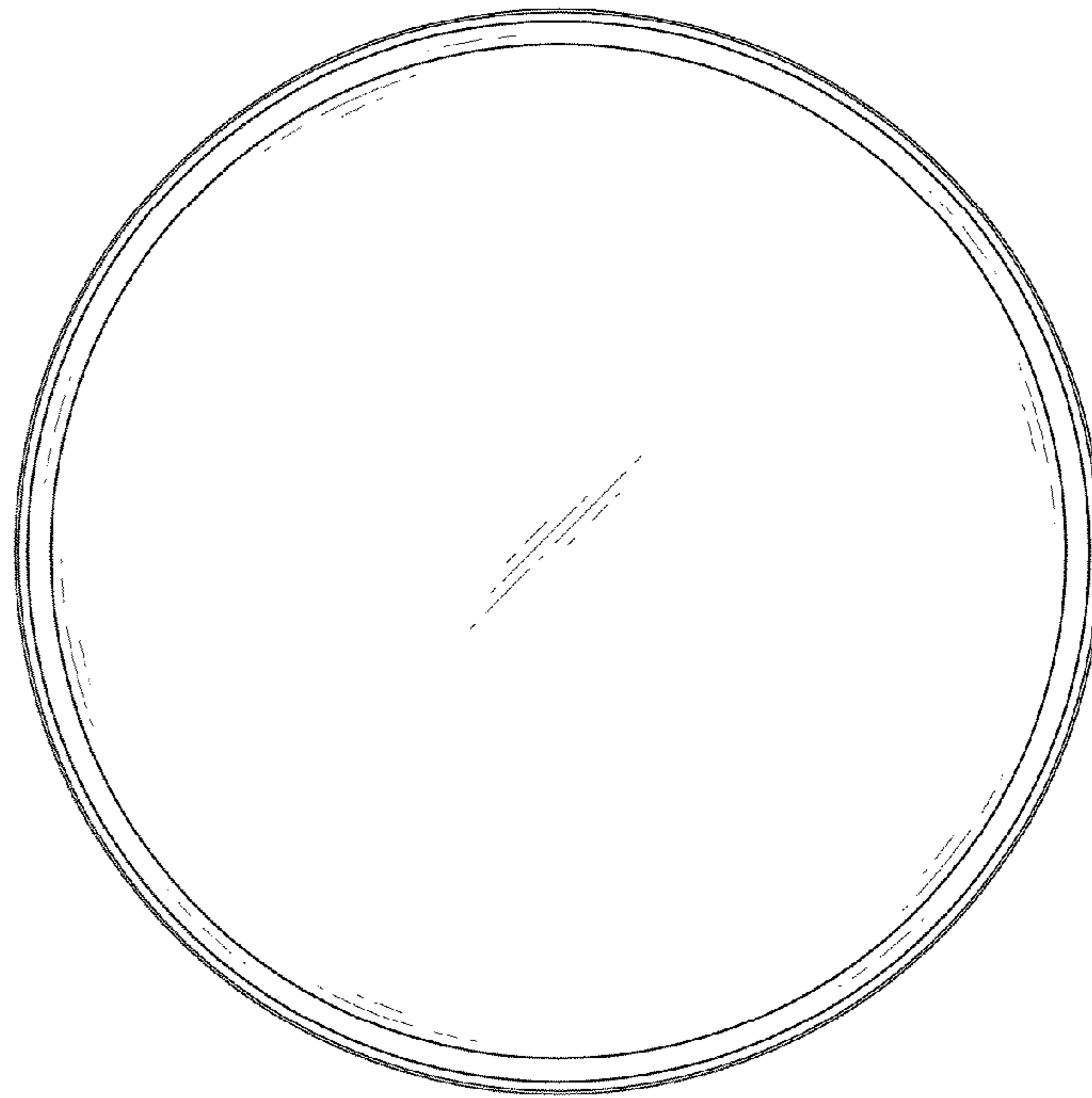


FIG. 7

