



US00D694180S

(12) **United States Design Patent**  
**Inskeep**

(10) **Patent No.:** **US D694,180 S**

(45) **Date of Patent:** **\*\* Nov. 26, 2013**

(54) **BATTERY CHARGER**

(71) Applicant: **Mathew Inskeep**, Boca Raton, FL (US)

(72) Inventor: **Mathew Inskeep**, Boca Raton, FL (US)

(\*\*) Term: **14 Years**

(21) Appl. No.: **29/453,225**

(22) Filed: **Apr. 26, 2013**

(51) **LOC (9) Cl.** ..... **13-02**

(52) **U.S. Cl.**  
USPC ..... **D13/107**

(58) **Field of Classification Search**  
USPC ..... D13/107-110, 118-119, 184, 199;  
320/107-115

See application file for complete search history.

(56) **References Cited**

**U.S. PATENT DOCUMENTS**

5,019,767	A	*	5/1991	Shirai et al.	.....	320/112
D361,978	S	*	9/1995	Shirai et al.	.....	D13/103
D511,743	S	*	11/2005	Hriscu et al.	.....	D13/107
D537,410	S	*	2/2007	Yuen	.....	D13/110
D617,267	S	*	6/2010	Li	.....	D13/107
D624,013	S	*	9/2010	Lingott	.....	D13/107
D624,014	S	*	9/2010	Lingott	.....	D13/107
D628,535	S	*	12/2010	Cheng	.....	D13/108

D634,706	S	*	3/2011	Takeno et al.	.....	D13/107
D639,736	S	*	6/2011	Su	.....	D13/110
D654,854	S	*	2/2012	Inskeep	.....	D13/107
D660,229	S	*	5/2012	Tseng	.....	D13/110
D664,501	S	*	7/2012	Inskeep	.....	D13/107
D664,502	S	*	7/2012	Inskeep	.....	D13/107
D682,196	S	*	5/2013	Leung	.....	D13/103
D682,197	S	*	5/2013	Leung	.....	D13/103
D684,115	S	*	6/2013	Inskeep	.....	D13/107
D687,768	S	*	8/2013	Minamikawa	.....	D13/107

\* cited by examiner

*Primary Examiner* — Rosemary K Tarcza

(57) **CLAIM**

I claim the ornamental design for a battery charger, as shown in the attached drawings.

**DESCRIPTION**

FIG. 1 is a top perspective view of the battery charger showing my new design.

FIG. 2 is a bottom perspective view.

FIG. 3 is a left side view thereof.

FIG. 4 is a right side view thereof.

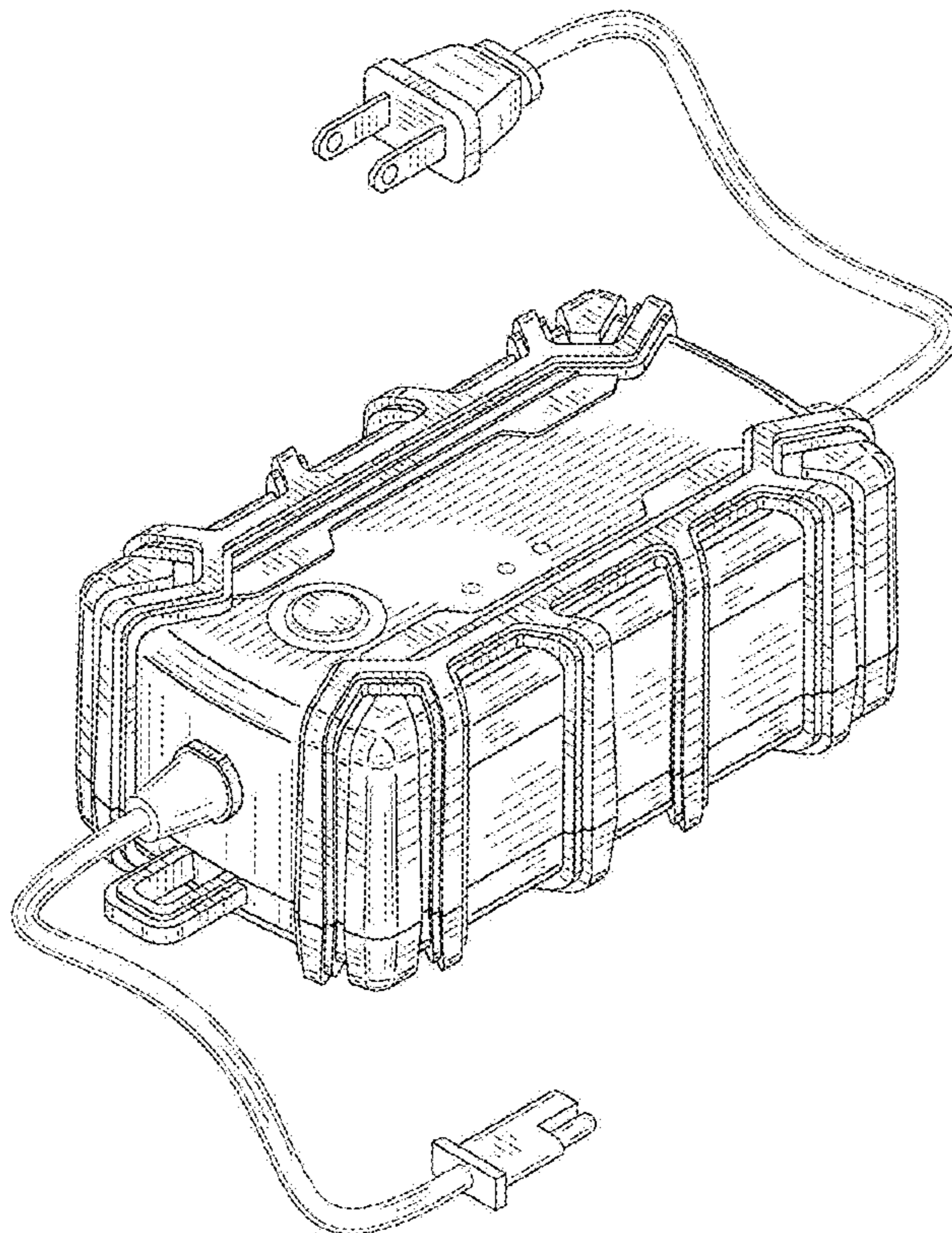
FIG. 5 is a top view thereof.

FIG. 6 is a bottom view thereof.

FIG. 7 is a front view thereof; and,

FIG. 8 is a back view thereof.

**1 Claim, 7 Drawing Sheets**



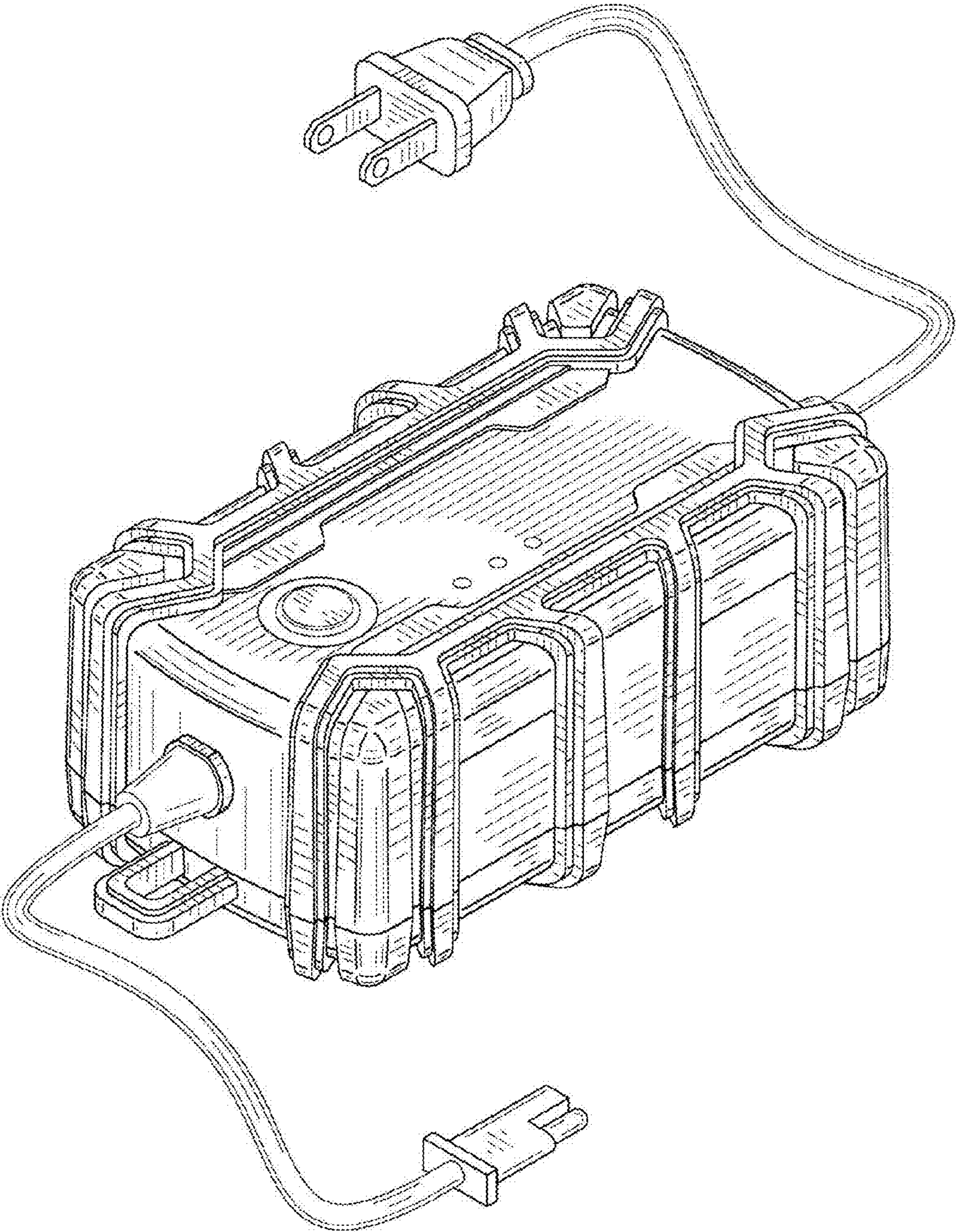


FIG. 1

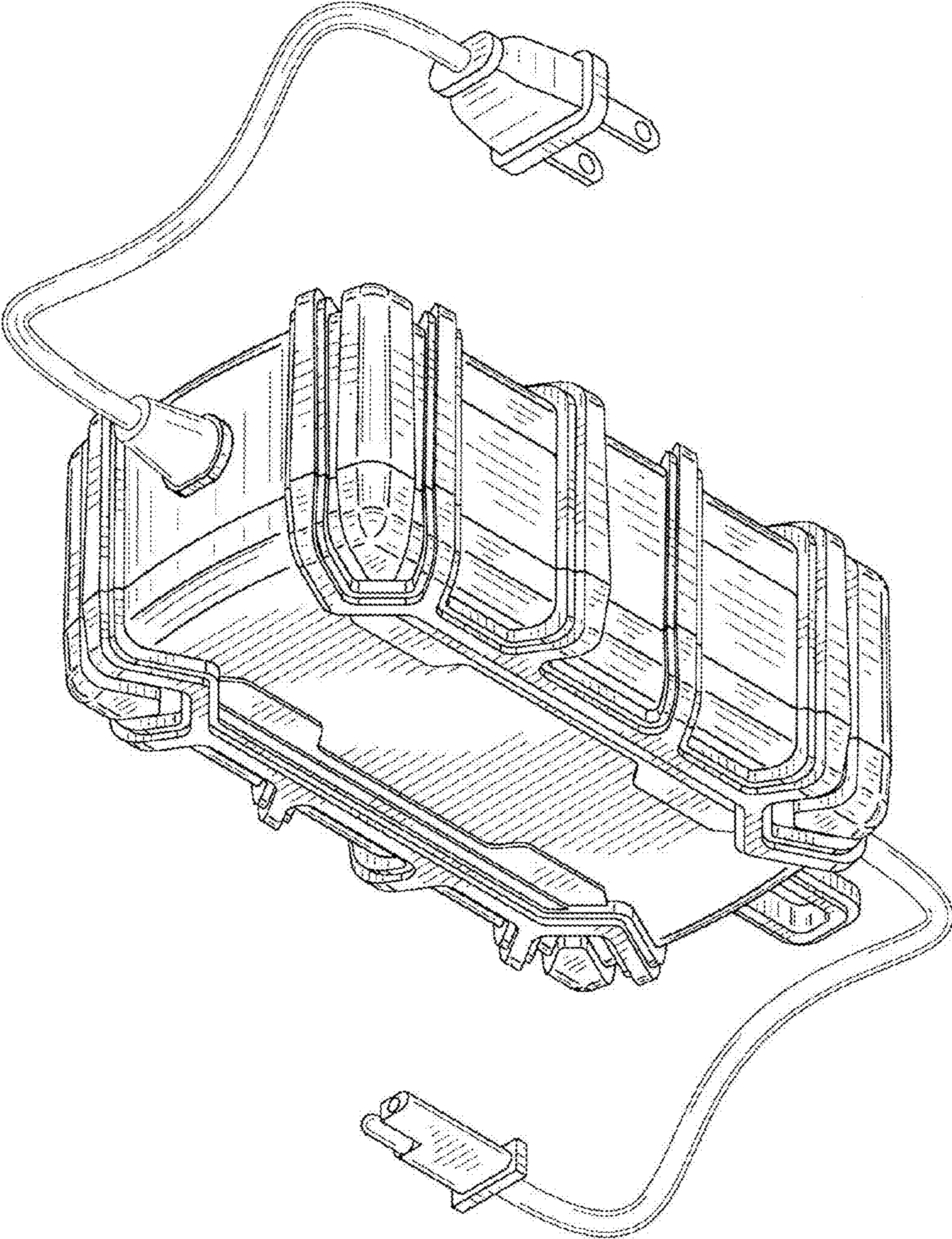


FIG. 2

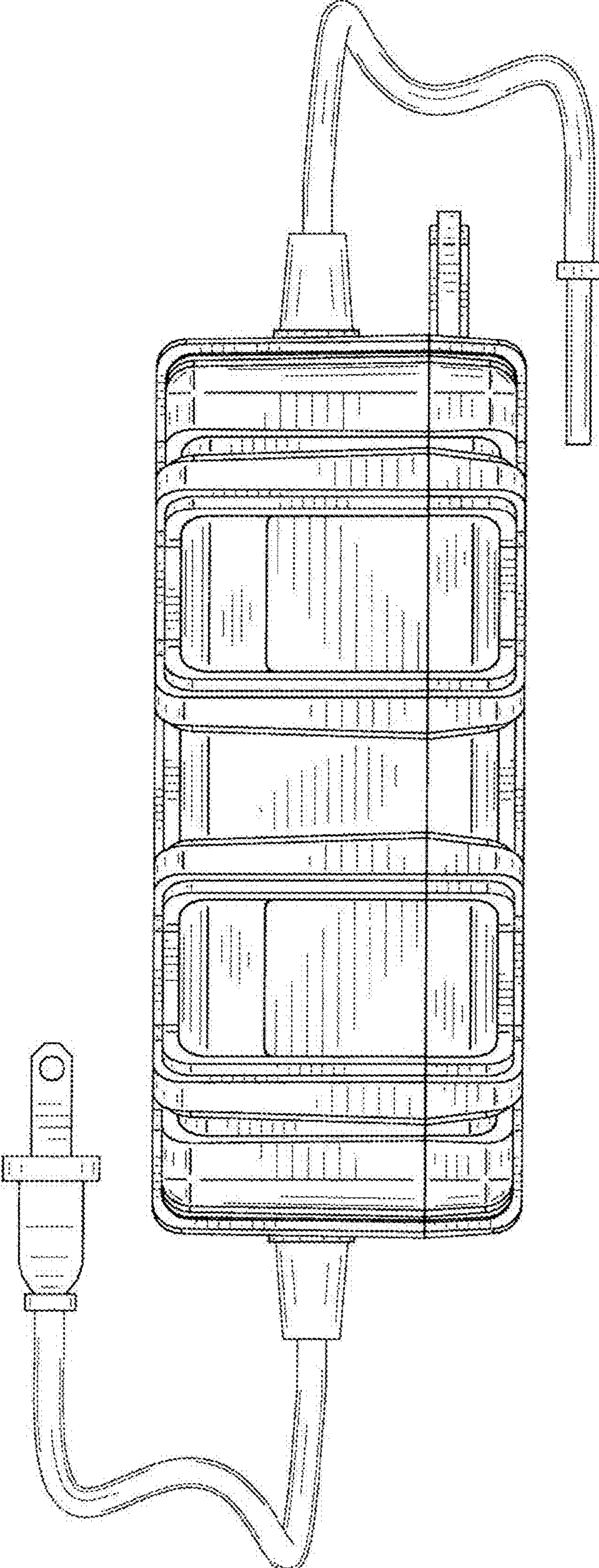


FIG. 3

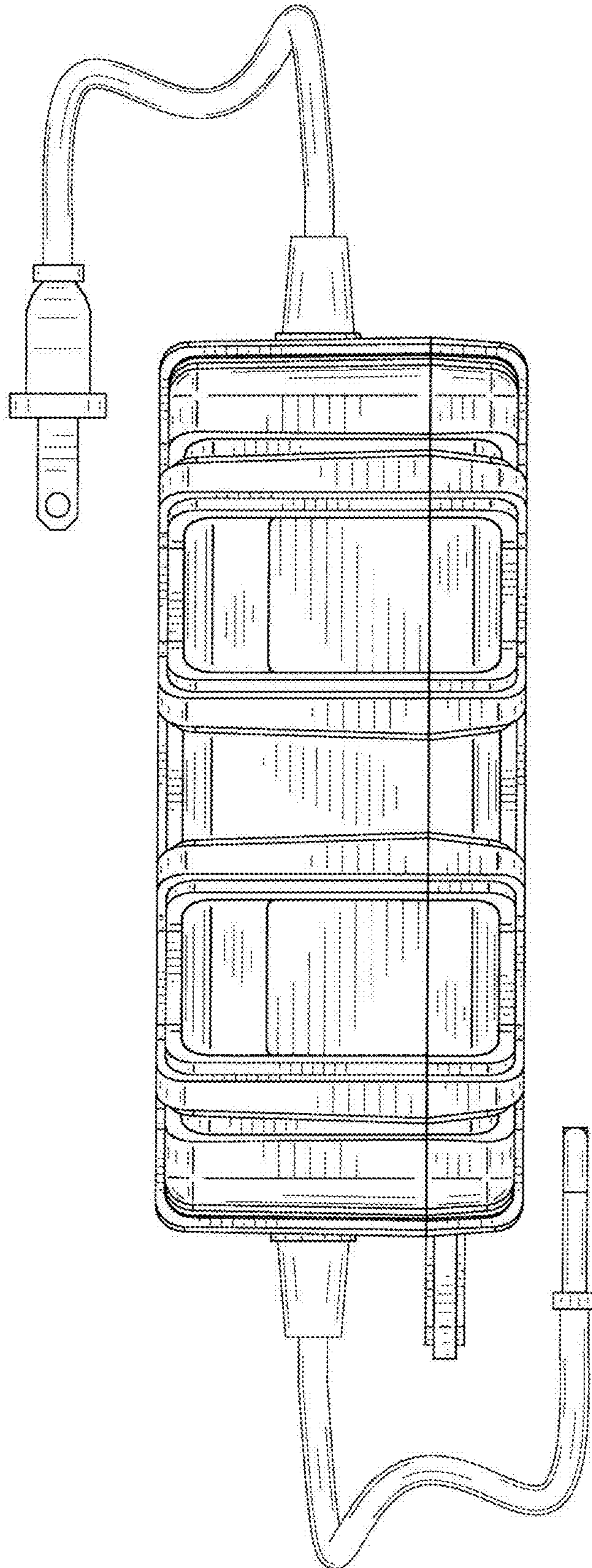


FIG. 4

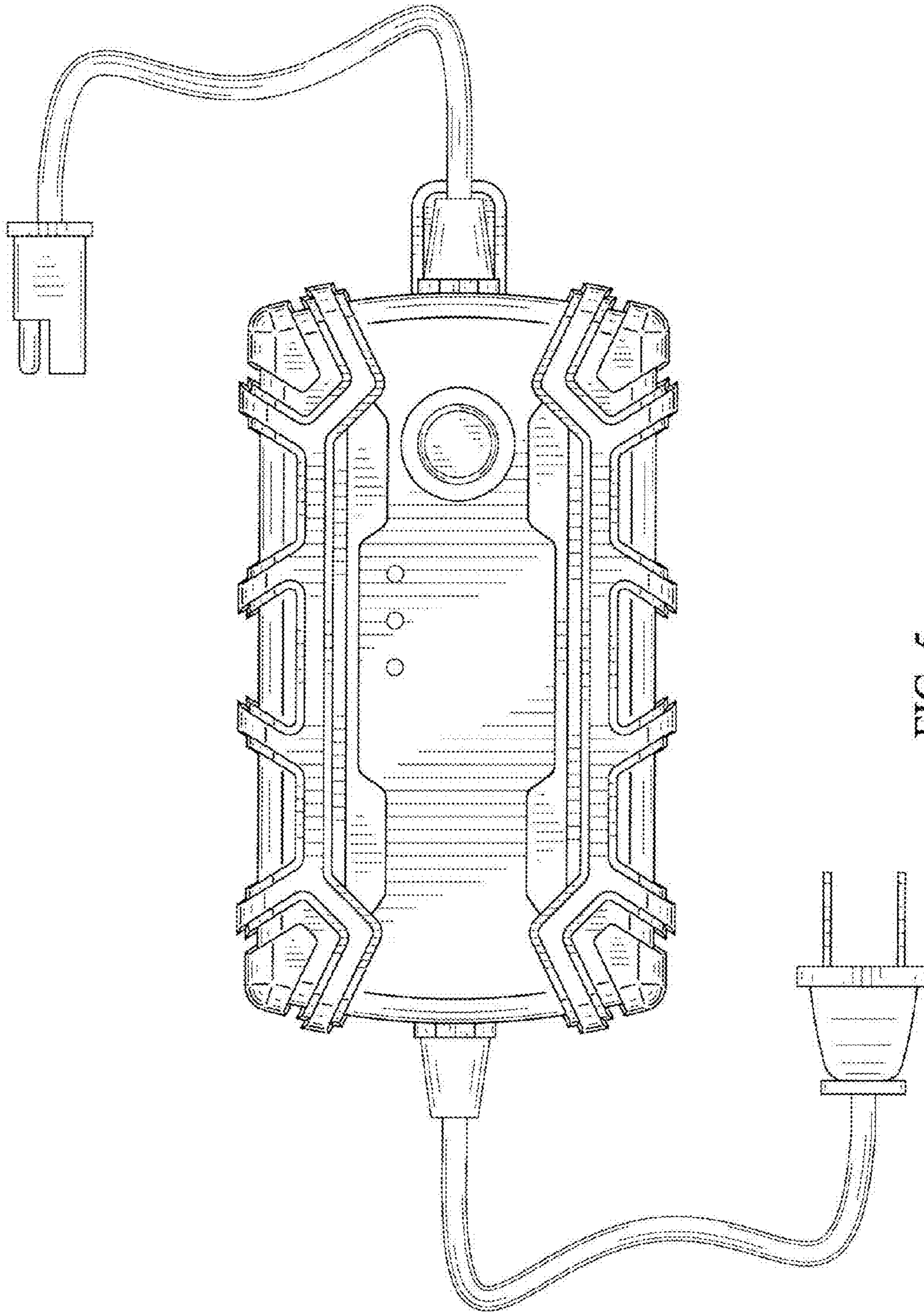


FIG. 5

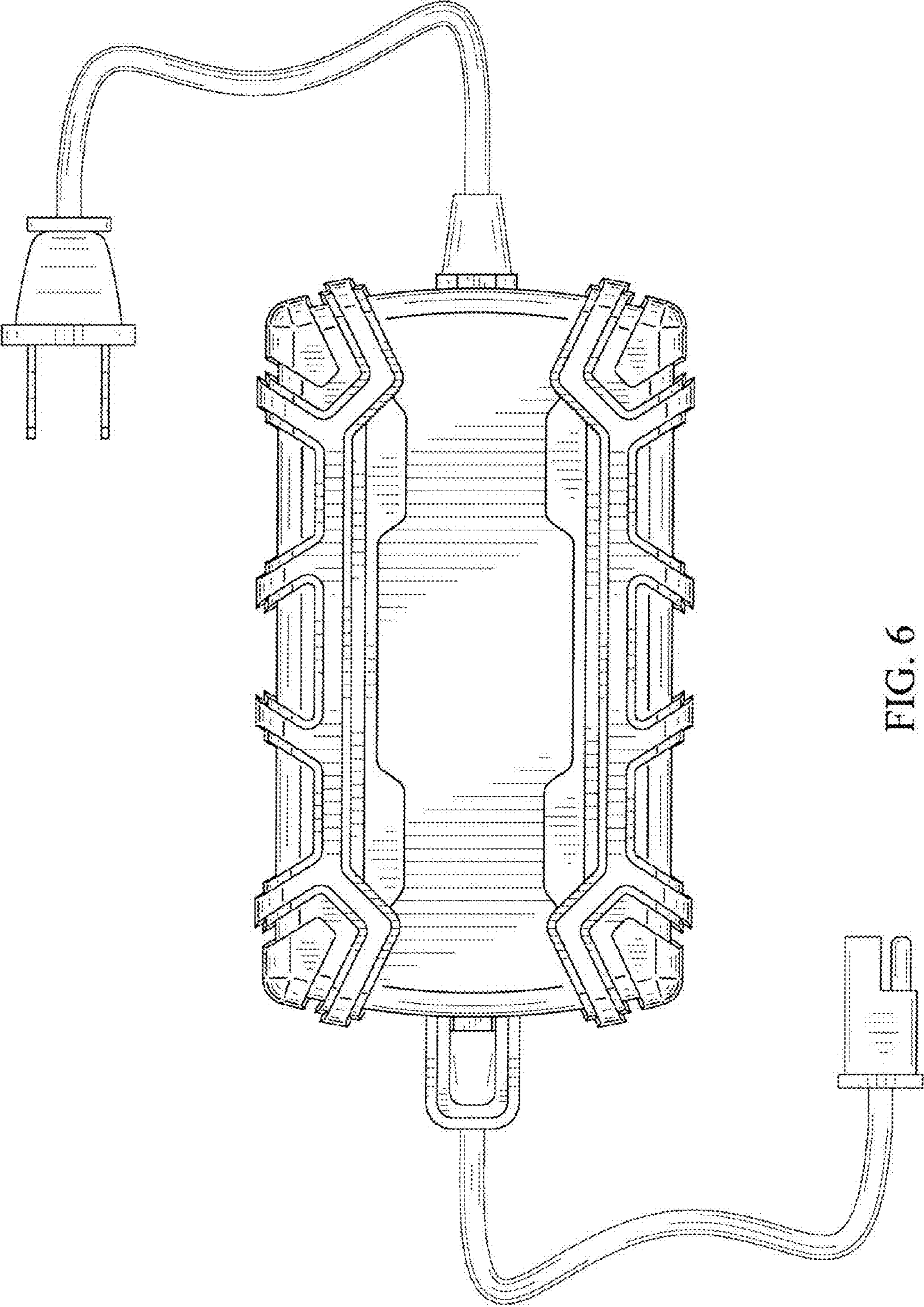


FIG. 6

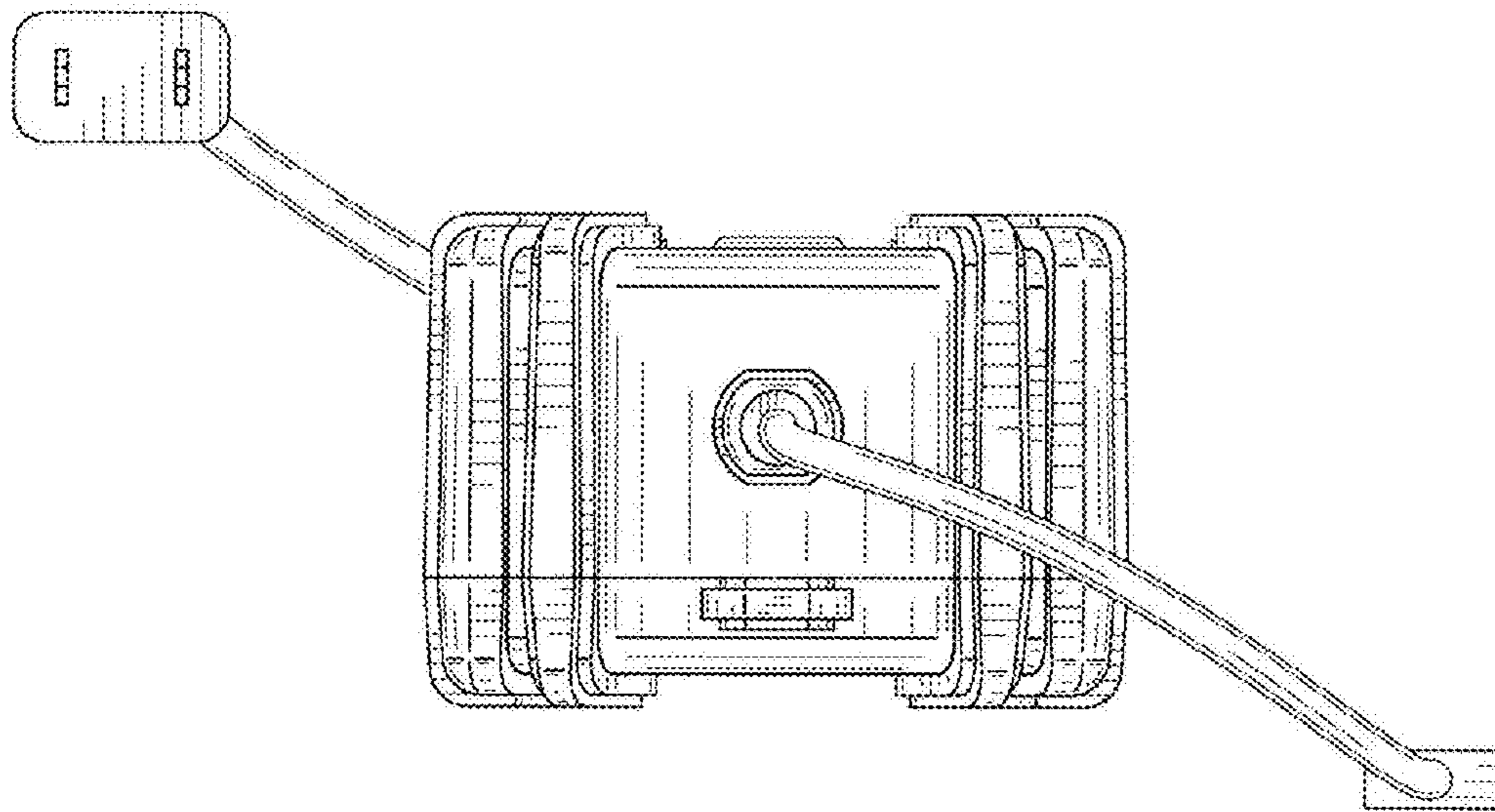


FIG. 7

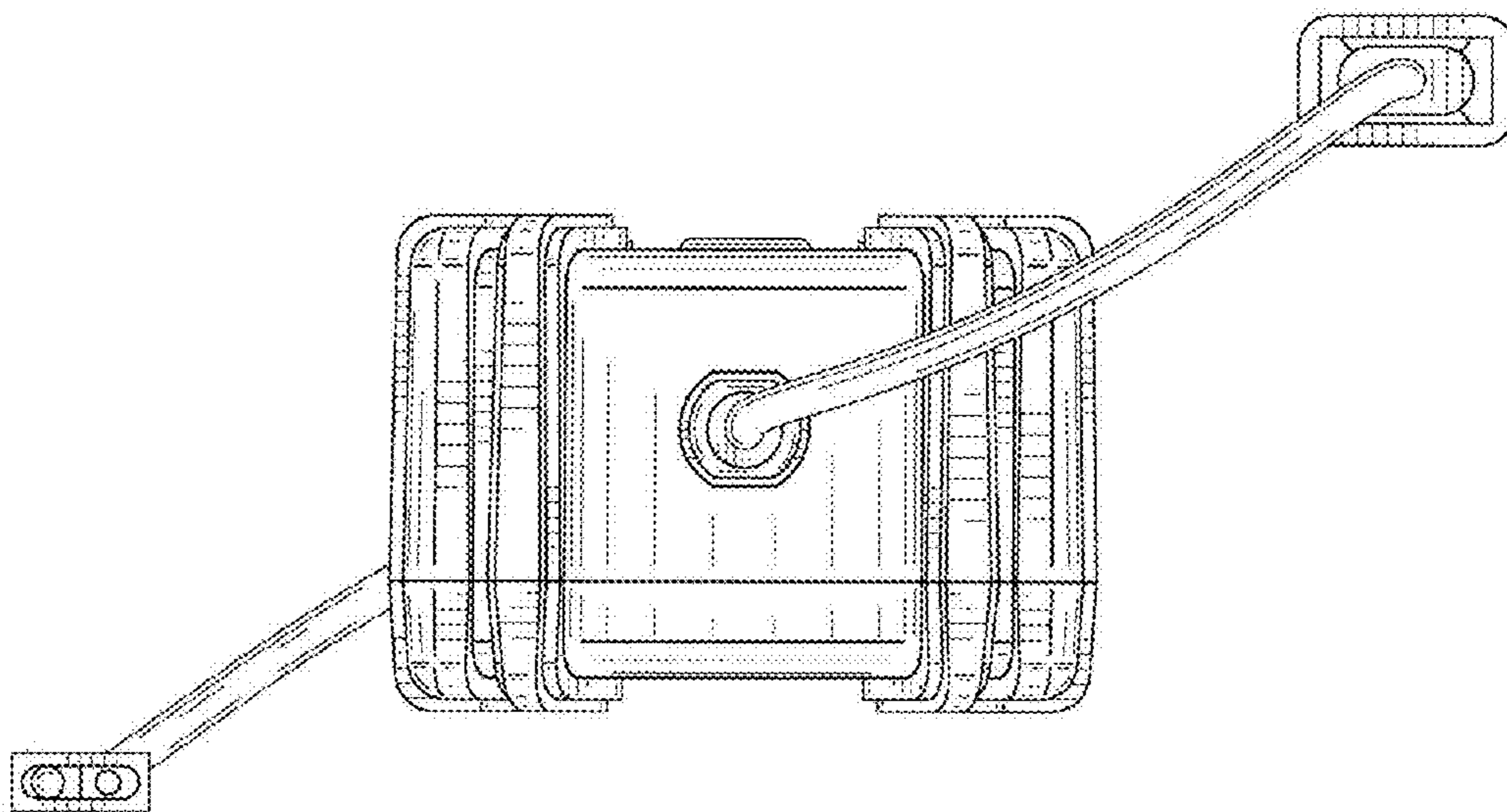


FIG. 8