

US00D694179S

(12) **United States Design Patent**
Zeppetzauer

(10) **Patent No.:** **US D694,179 S**

(45) **Date of Patent:** **** Nov. 26, 2013**

(54) **CHARGING STATION**

(71) Applicant: **Palfinger AG**, Salzburg (AT)

(72) Inventor: **Mario Zeppetzauer**, Linz (AT)

(73) Assignee: **Palfinger AG**, Salzburg (AT)

(**) Term: **14 Years**

(21) Appl. No.: **29/449,669**

(22) Filed: **Mar. 15, 2013**

(51) **LOC (9) Cl.** **13-02**

(52) **U.S. Cl.**
USPC **D13/107**

(58) **Field of Classification Search**
USPC D13/107-110, 118-119, 184, 199;
320/103-115; D15/9

See application file for complete search history.

(56) **References Cited**

U.S. PATENT DOCUMENTS

6,366,050	B2 *	4/2002	Kajiura	320/108
D634,267	S *	3/2011	Blain	D13/107
D647,525	S *	10/2011	Seto	D14/434
D654,862	S *	2/2012	Holthusen	D13/107
D655,242	S *	3/2012	Holthusen	D13/107

D665,344	S *	8/2012	Petrie et al.	D13/107
D669,026	S *	10/2012	Oda et al.	D13/107
D672,350	S *	12/2012	Gioscia et al.	D14/434
2009/0273310	A1 *	11/2009	Flack	320/107
2012/0206100	A1 *	8/2012	Brown et al.	320/109
2012/0212180	A1 *	8/2012	Iida et al.	320/109
2012/0268067	A1 *	10/2012	Poulsen	320/109
2013/0020990	A1 *	1/2013	DeBoer et al.	320/109

* cited by examiner

Primary Examiner — Rosemary K Tarcza

(74) *Attorney, Agent, or Firm* — Wenderoth, Lind & Ponack, L.L.P.

(57) **CLAIM**

The ornamental design for a charging station, as shown and described.

DESCRIPTION

FIG. 1 is a front perspective view of a charging station;
FIG. 2 is a rear perspective view thereof;
FIG. 3 is a top view thereof;
FIG. 4 is a bottom view thereof;
FIG. 5 is a left view thereof;
FIG. 6 is a right view thereof;
FIG. 7 is a front view thereof; and,
FIG. 8 is a rear view thereof.

1 Claim, 8 Drawing Sheets

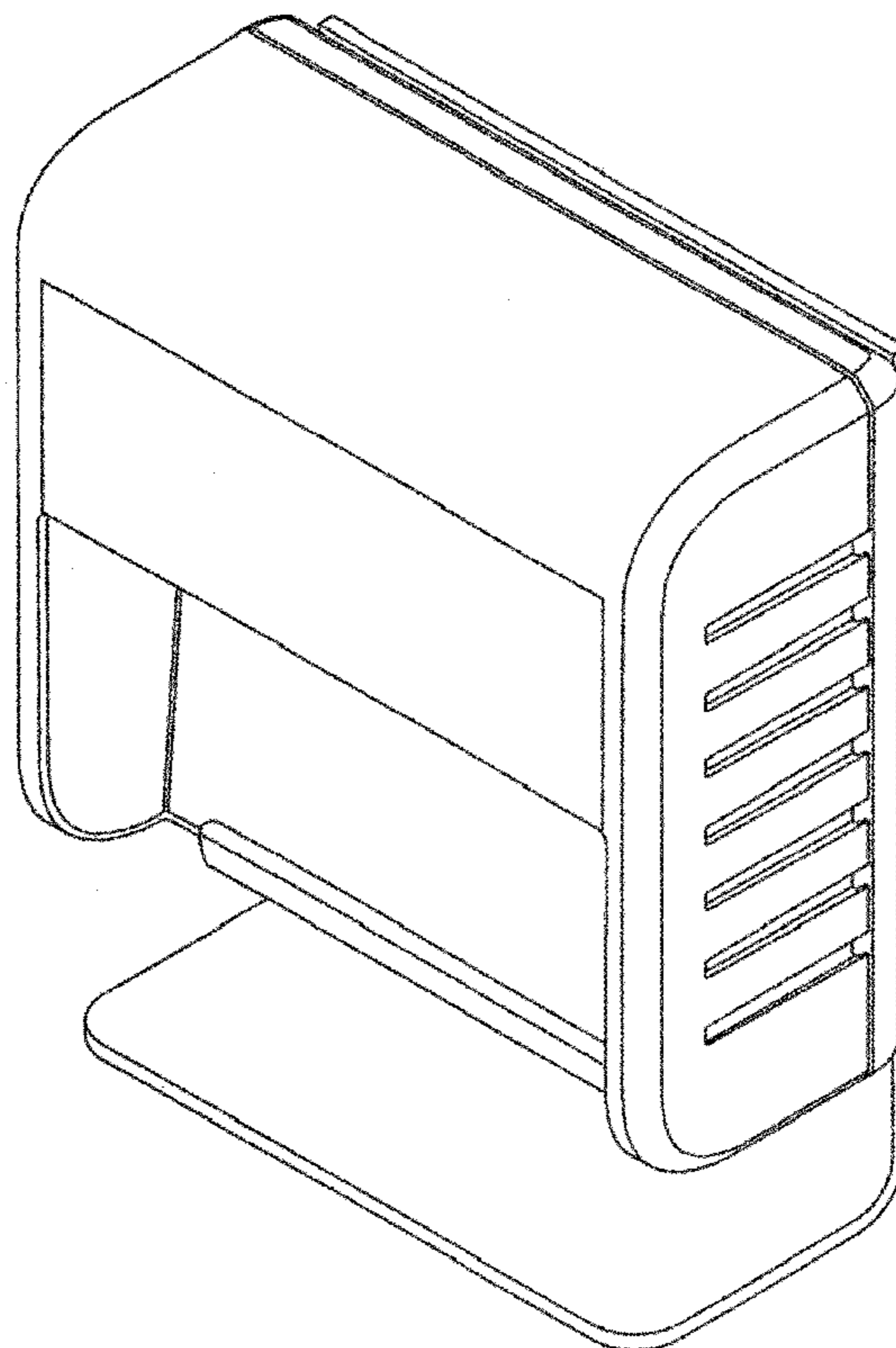


Fig. 1

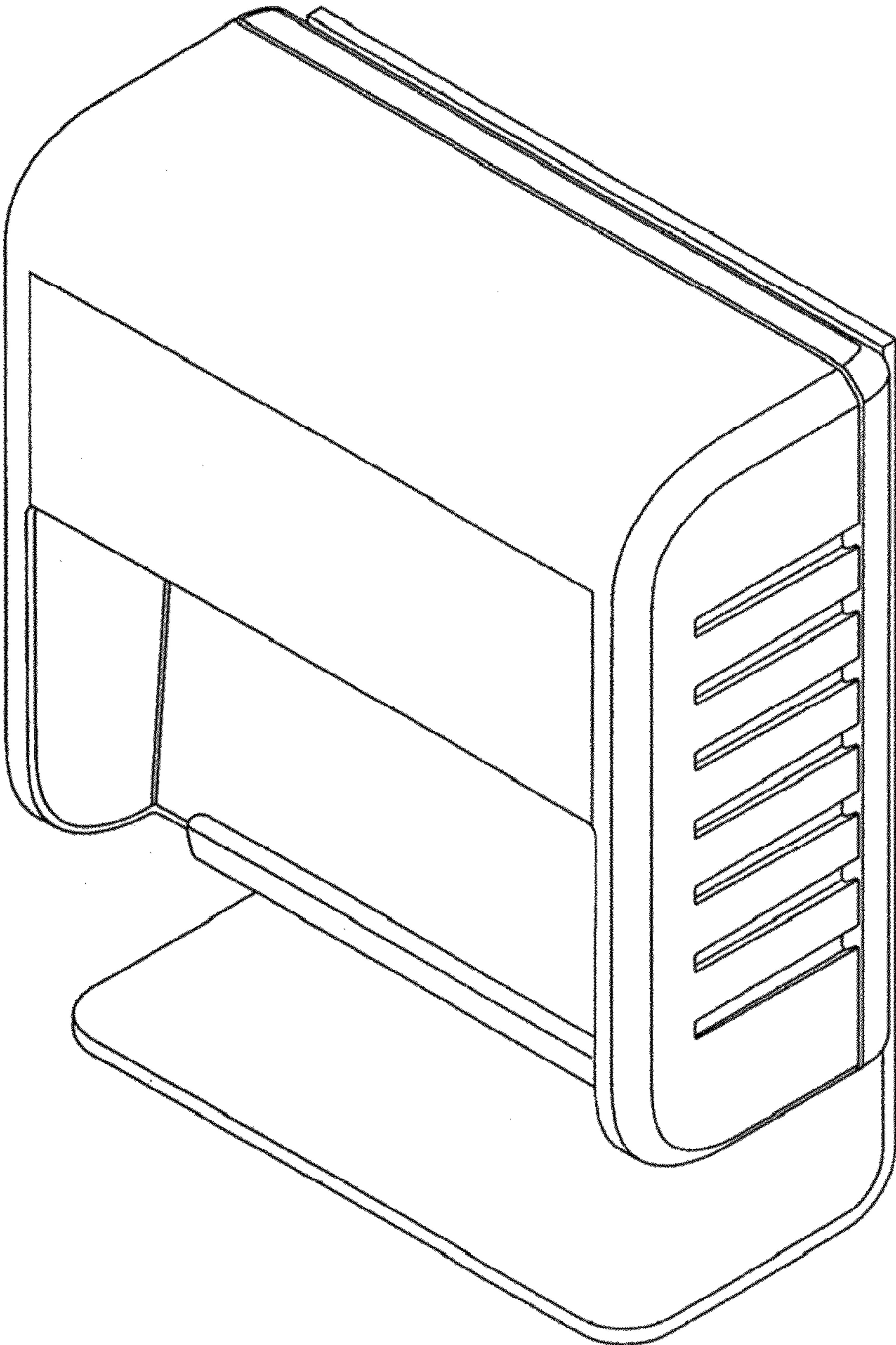


Fig. 2

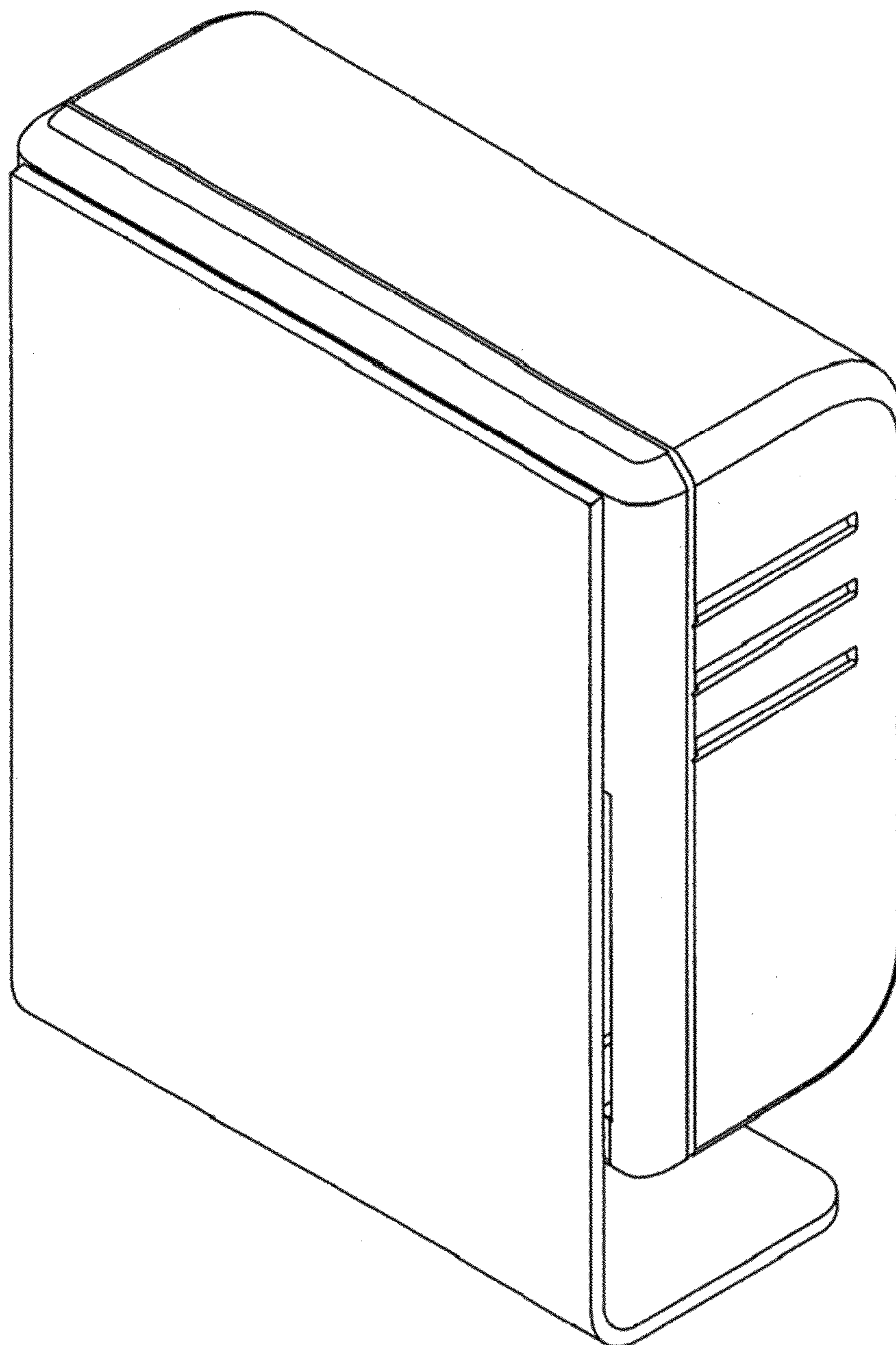


Fig. 3

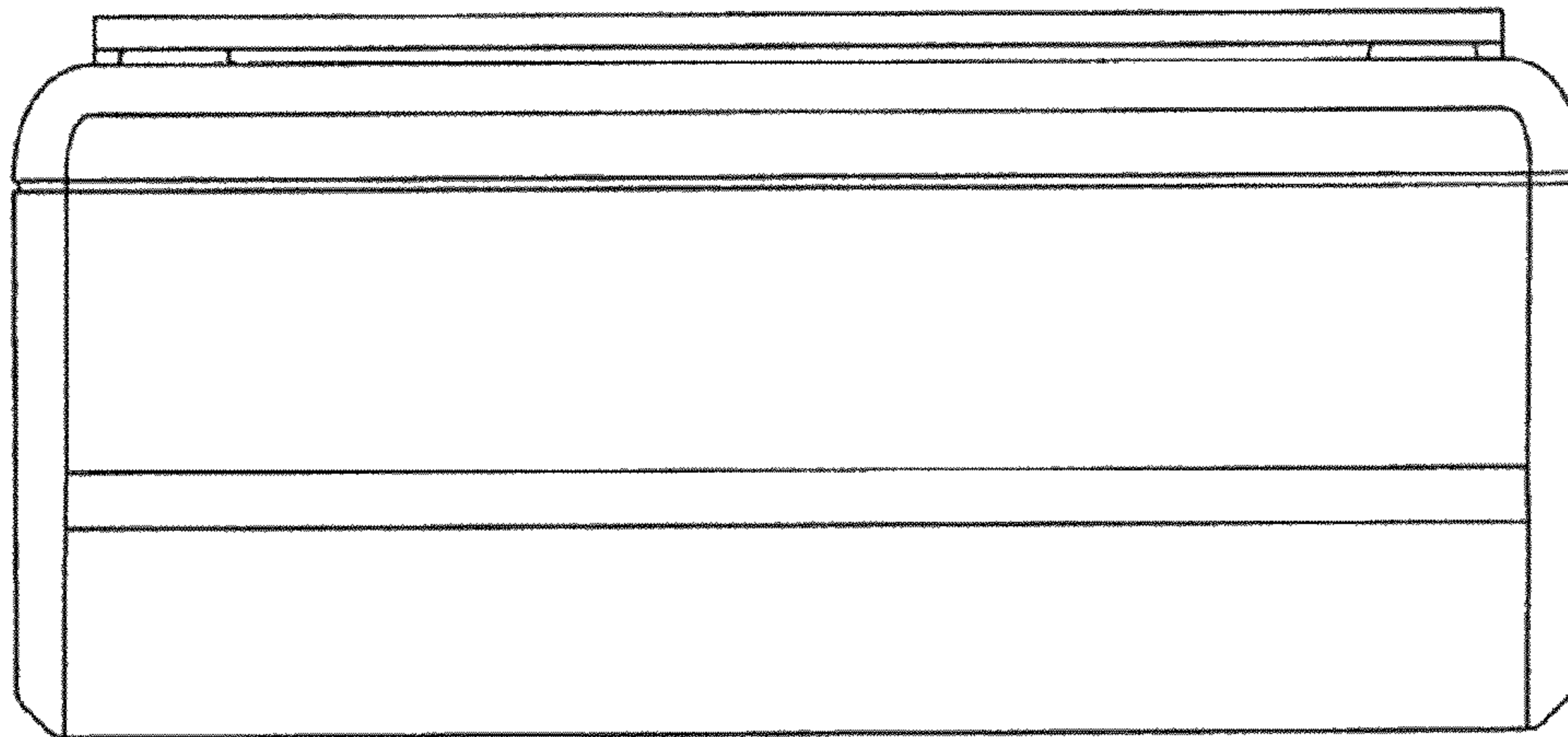


Fig. 4

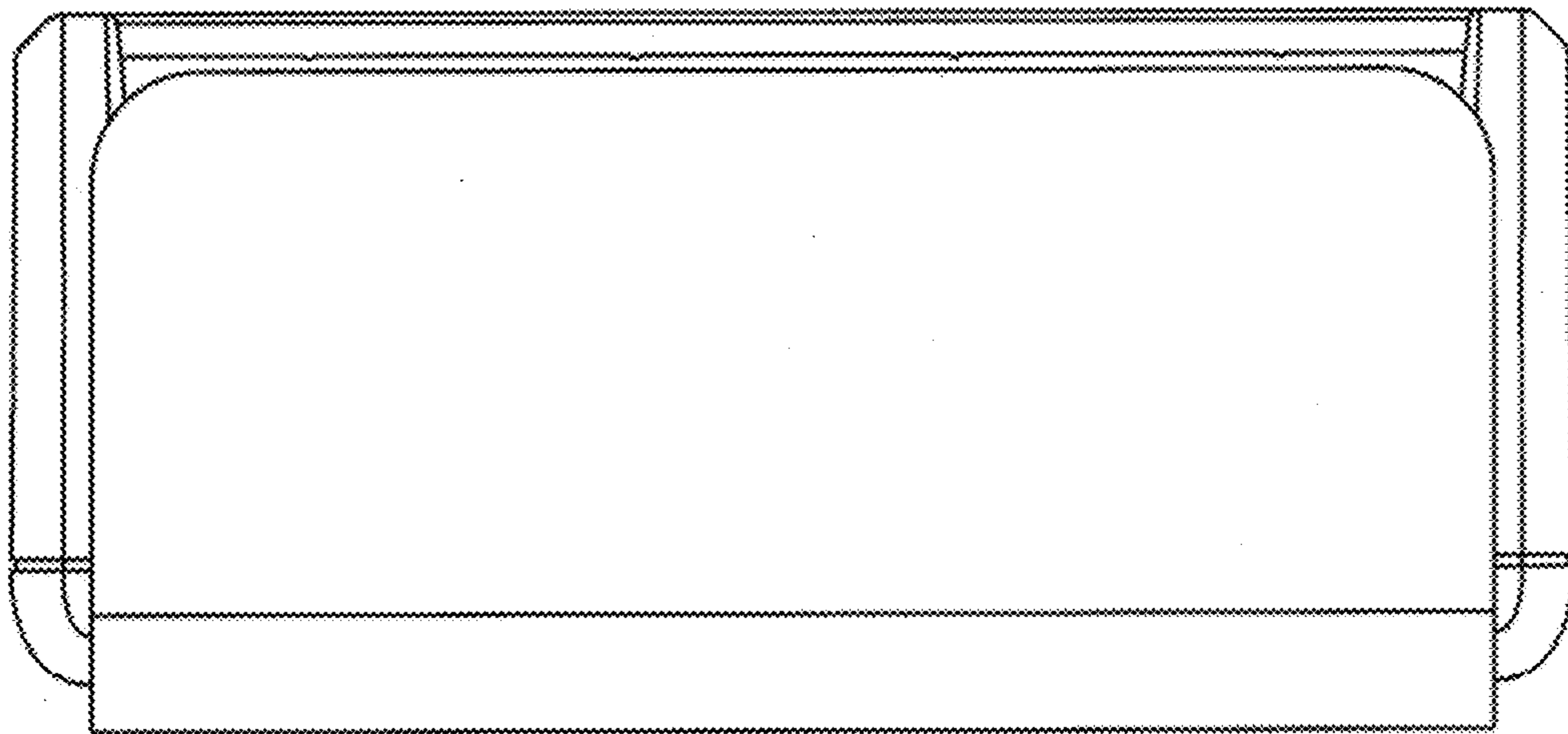


Fig. 5

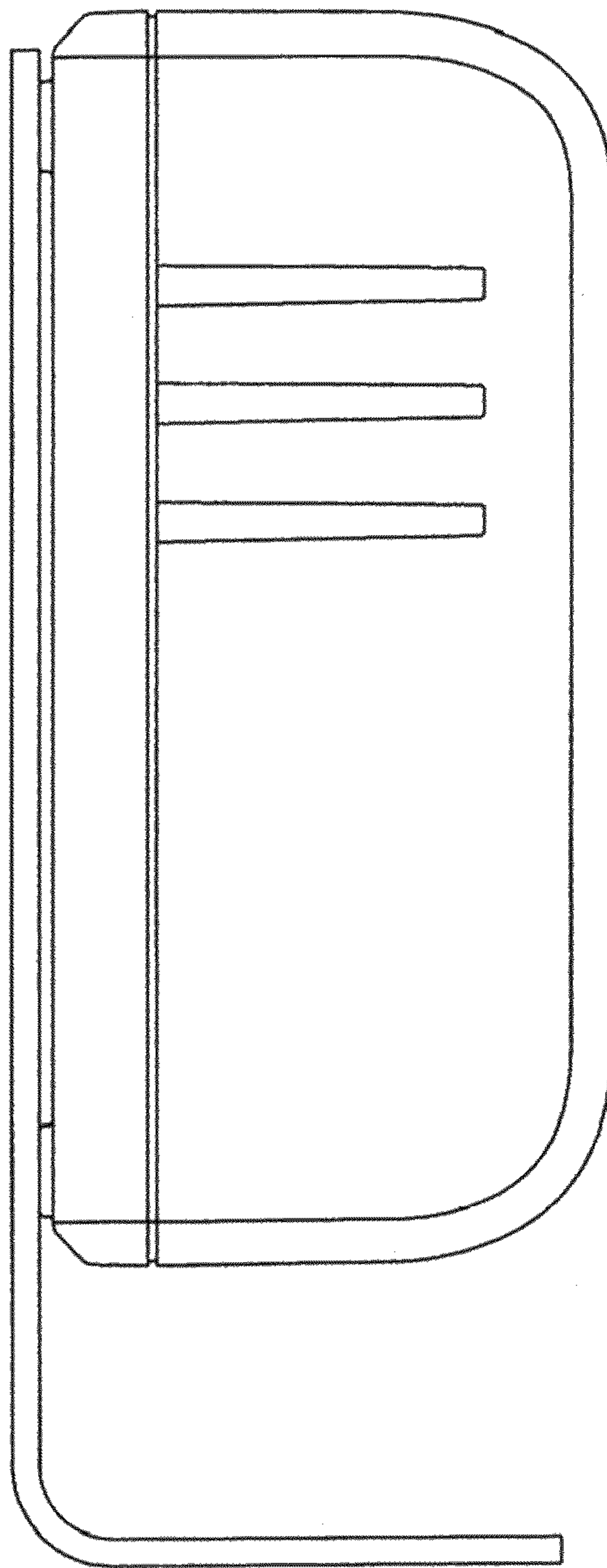


Fig. 6

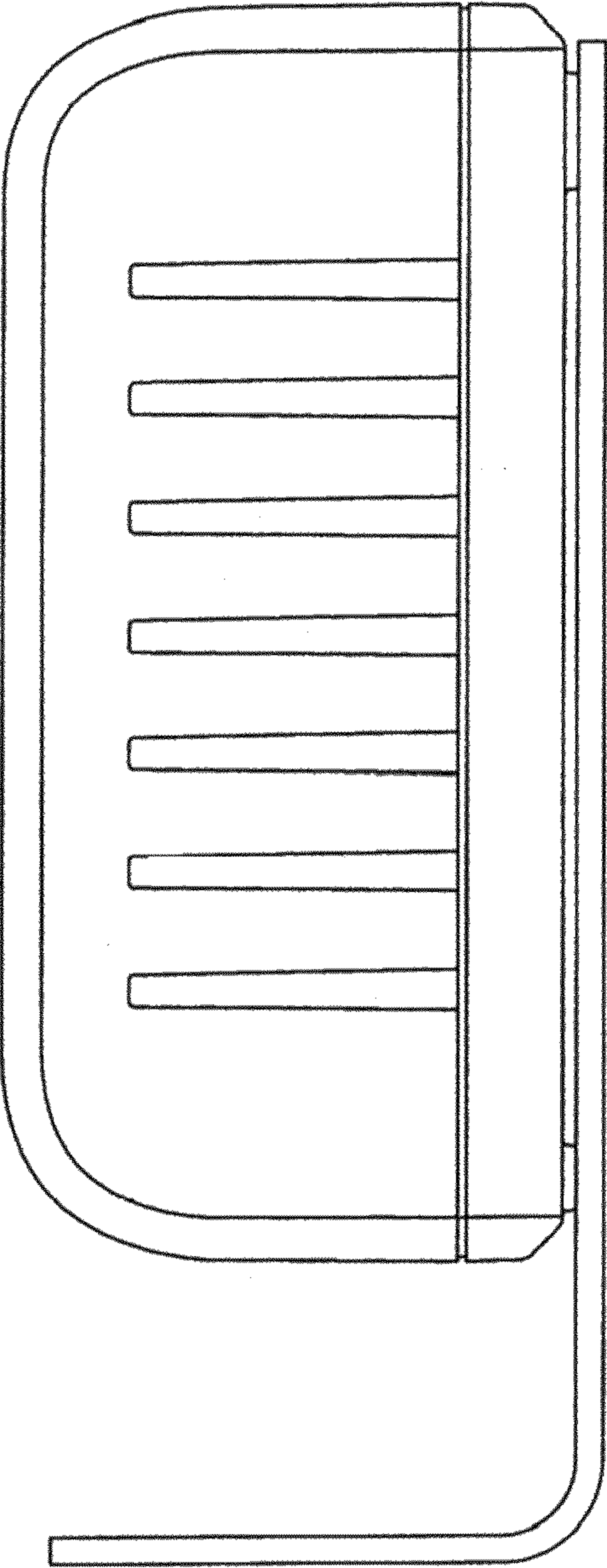


Fig. 7

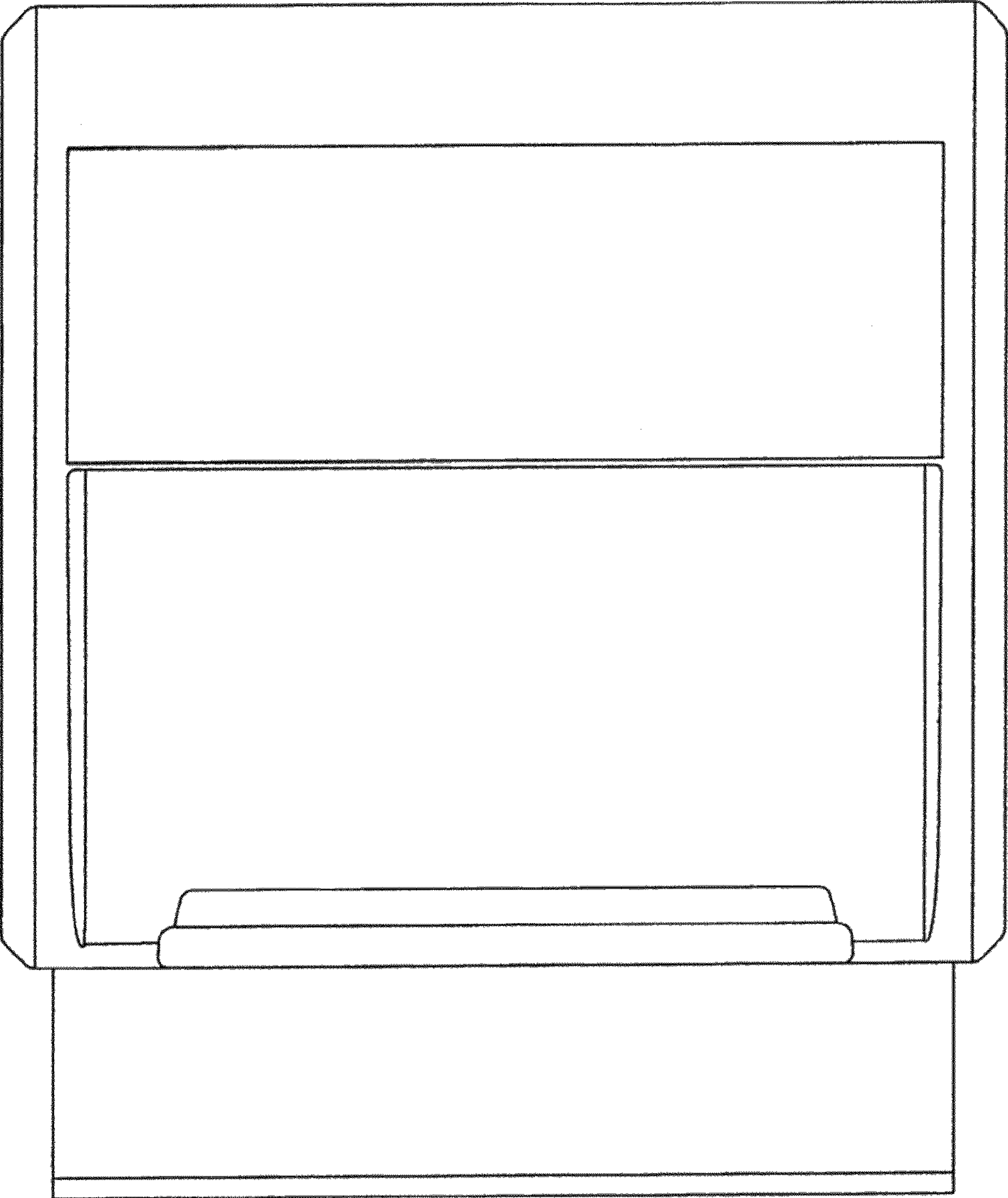


Fig. 8

