



US00D694178S

(12) **United States Design Patent**
Bennett et al.

(10) **Patent No.:** **US D694,178 S**

(45) **Date of Patent:** **** Nov. 26, 2013**

(54) **CHARGER**

(71) Applicant: **Eveready Battery Company, Inc.**, St. Louis, MO (US)

(72) Inventors: **Jason R. Bennett**, Sydney (AU);
Thomas G. Ryan, Woodville Park (AU)

(73) Assignee: **Eveready Battery Company, Inc.**, St. Louis, MO (US)

(**) Term: **14 Years**

(21) Appl. No.: **29/433,590**

(22) Filed: **Oct. 2, 2012**

(51) **LOC (9) Cl.** **13-02**

(52) **U.S. Cl.**
USPC **D13/107**

(58) **Field of Classification Search**
USPC D13/107-110, 118-119, 184, 199;
D14/251, 253, 432, 434; 320/107-115
See application file for complete search history.

(56) **References Cited**

U.S. PATENT DOCUMENTS

D362,004 S * 9/1995 Nakano et al. D14/253
D368,479 S * 4/1996 Larson D14/253
D465,452 S * 11/2002 Lie D13/107

D466,075 S * 11/2002 Lie D13/107
D471,907 S * 3/2003 Peiker D14/253
D598,845 S * 8/2009 Kingston et al. D13/107
D599,287 S * 9/2009 Kingston et al. D13/107
D599,735 S * 9/2009 Amidei et al. D13/107
D632,647 S * 2/2011 Fitch et al. D13/107

* cited by examiner

Primary Examiner — Rosemary K Tarcza

(74) *Attorney, Agent, or Firm* — Russell H. Toye, Jr.

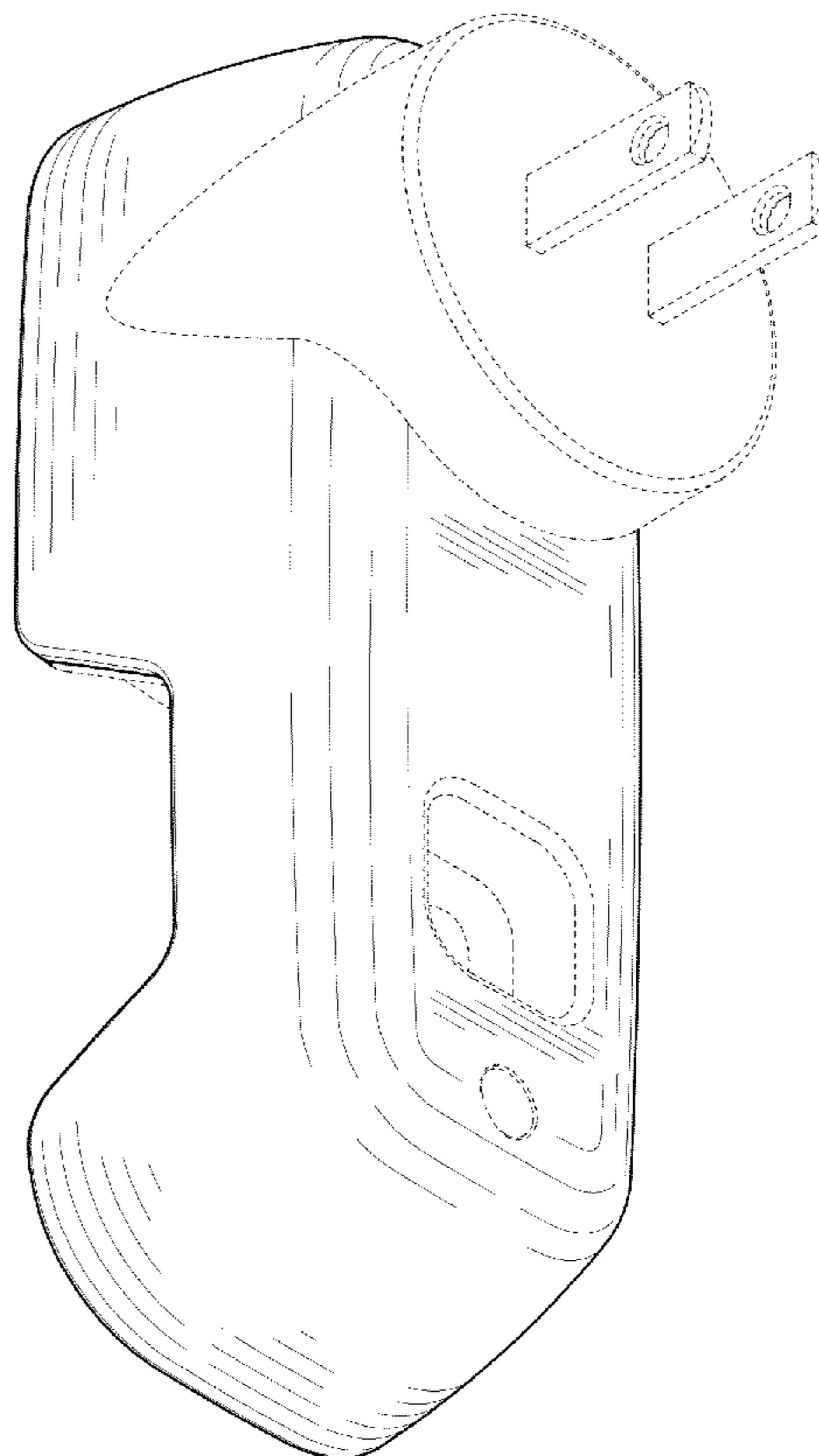
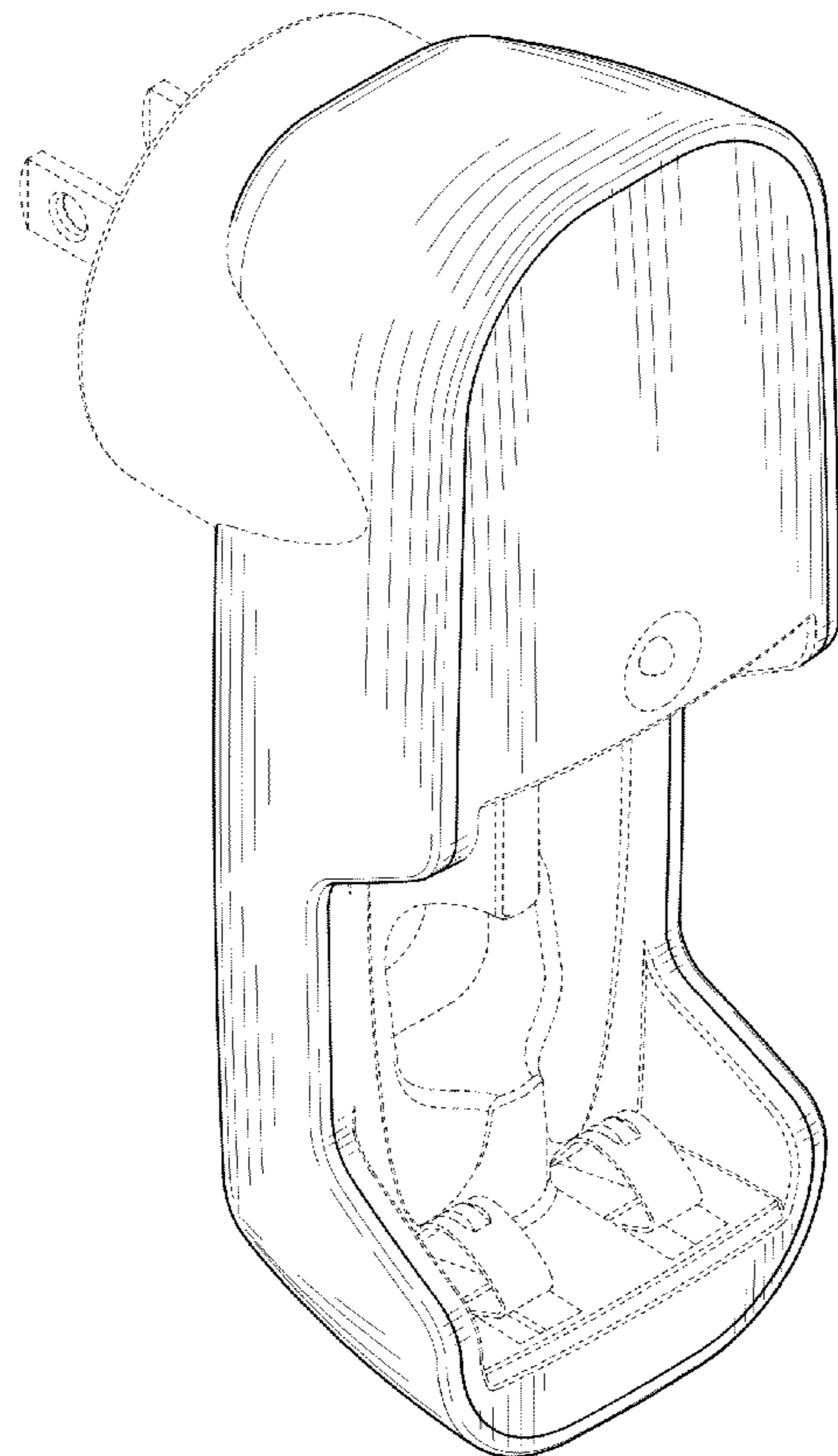
(57) **CLAIM**

We claim the ornamental design for a charger, as shown and described.

DESCRIPTION

FIG. 1 is a front perspective view of the design.
FIG. 2 is a rear perspective view of the design.
FIG. 3 is a left side view of the design. The right side view of the design is a mirror image of the left side view.
FIG. 4 is a top view of the design.
FIG. 5 is a bottom view of the design.
FIG. 6 is a front view of the design; and,
FIG. 7 is a rear view of the design.
Any broken line(s) shown are for illustrative purposes only and form no part of the claimed design.

1 Claim, 3 Drawing Sheets



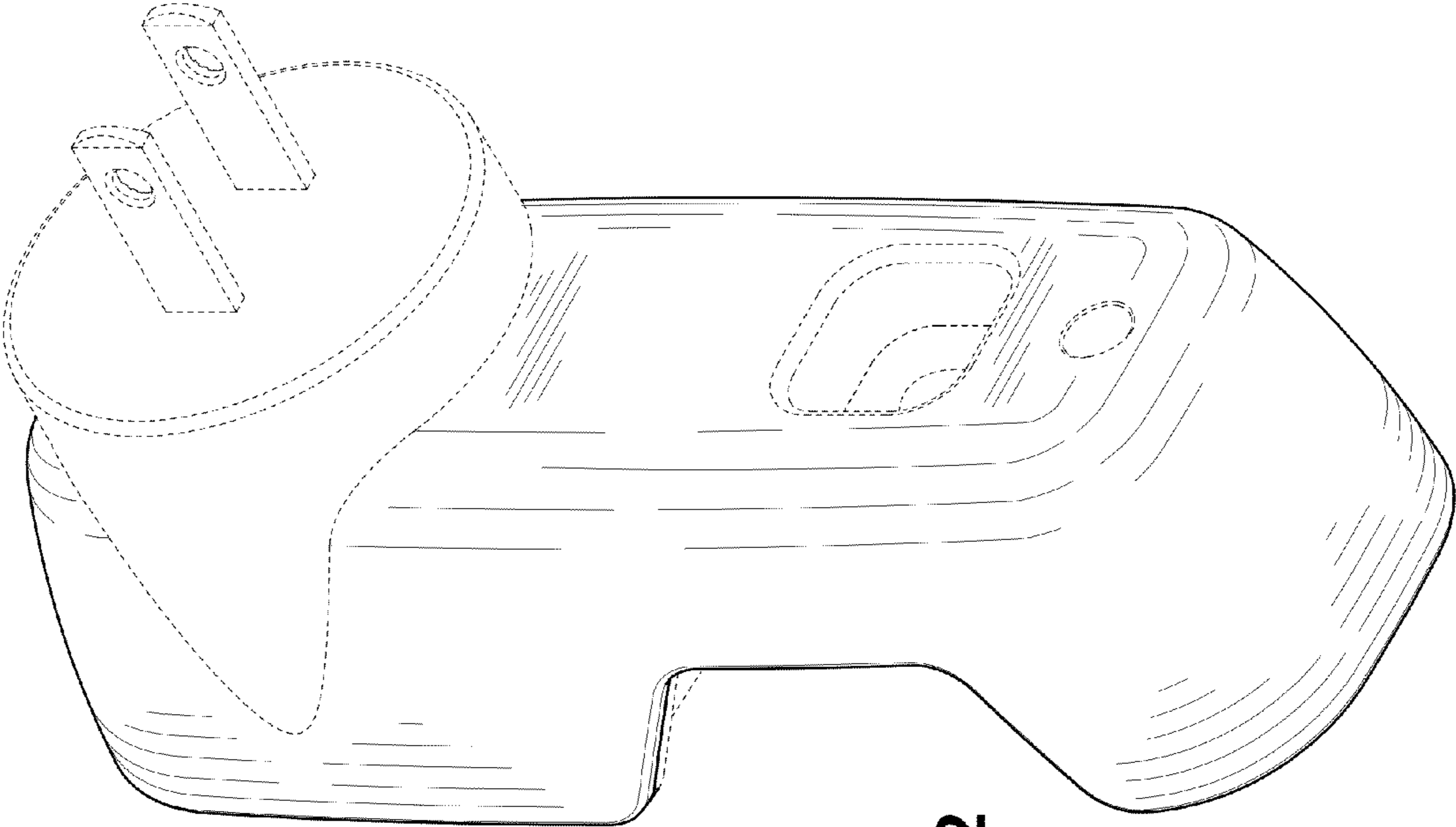


Fig. 2

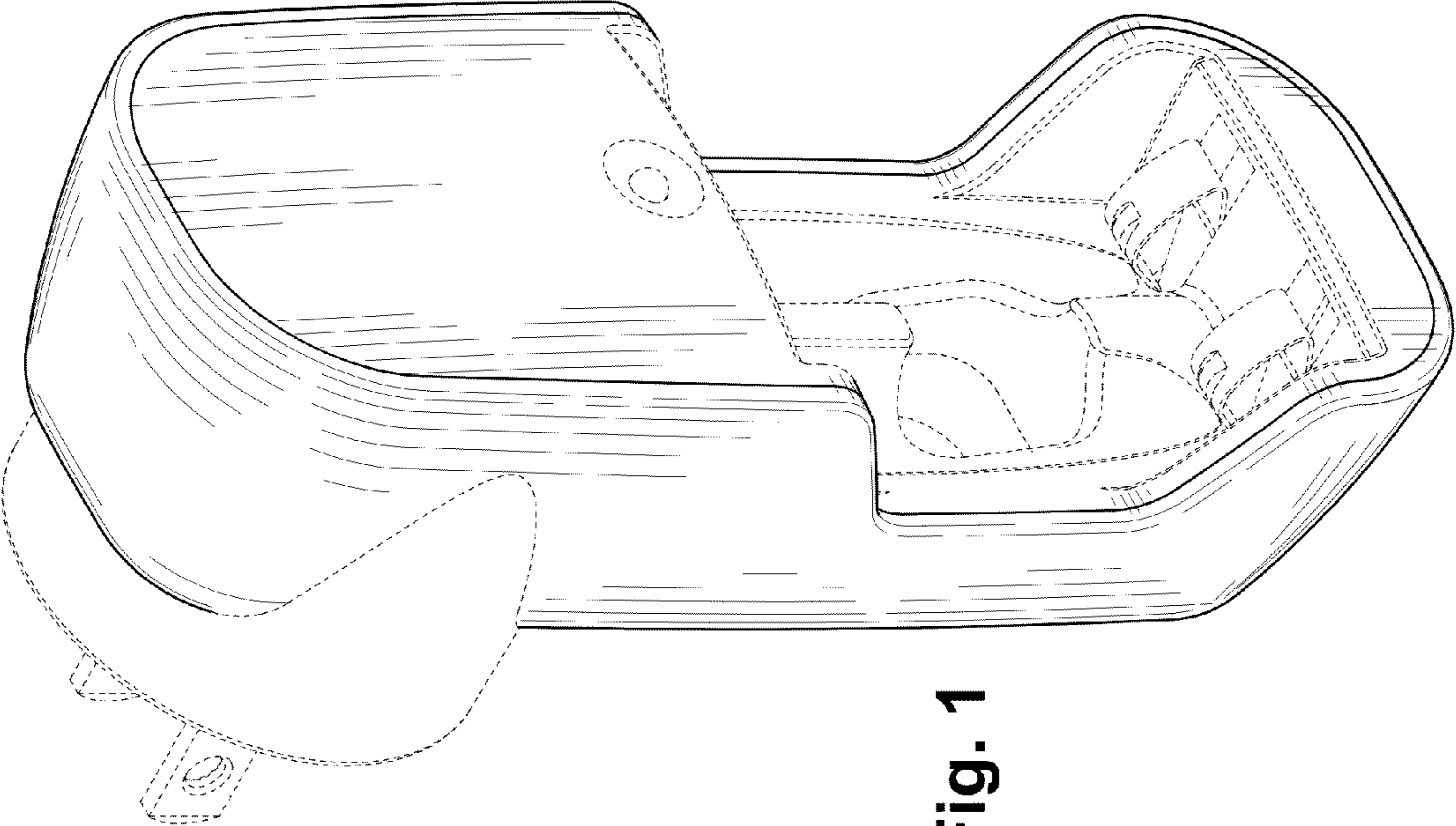


Fig. 1

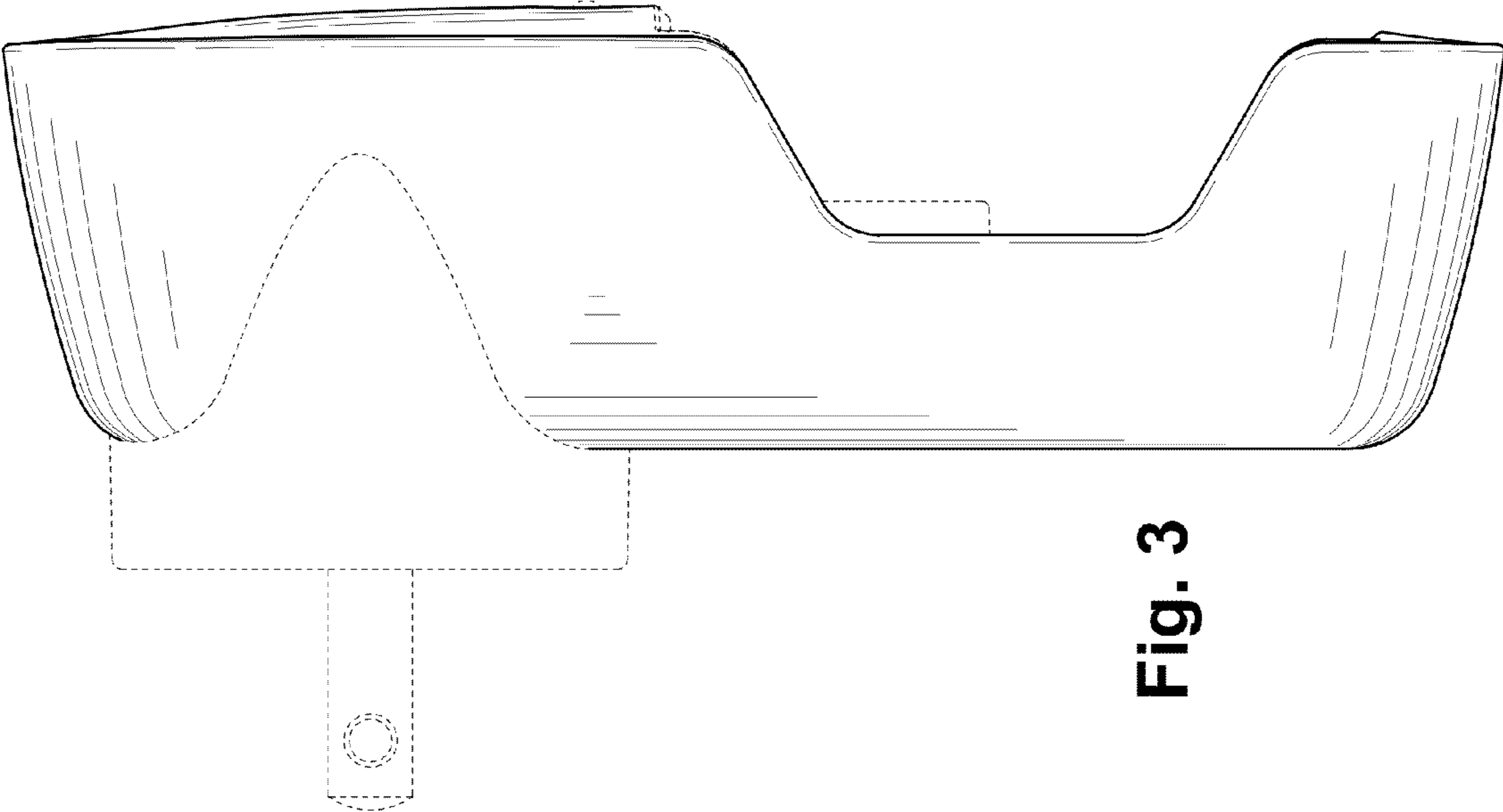


Fig. 3

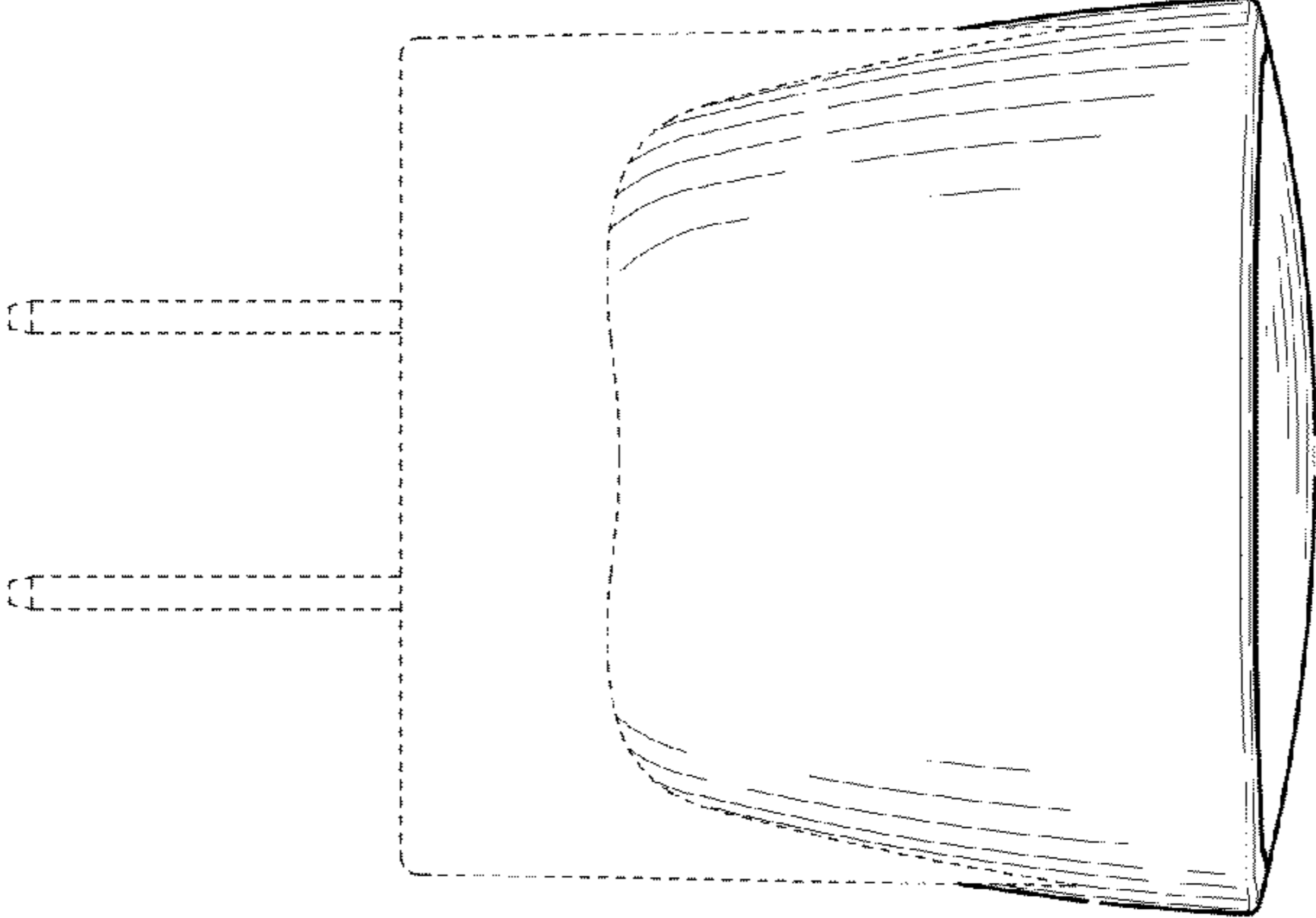


Fig. 4

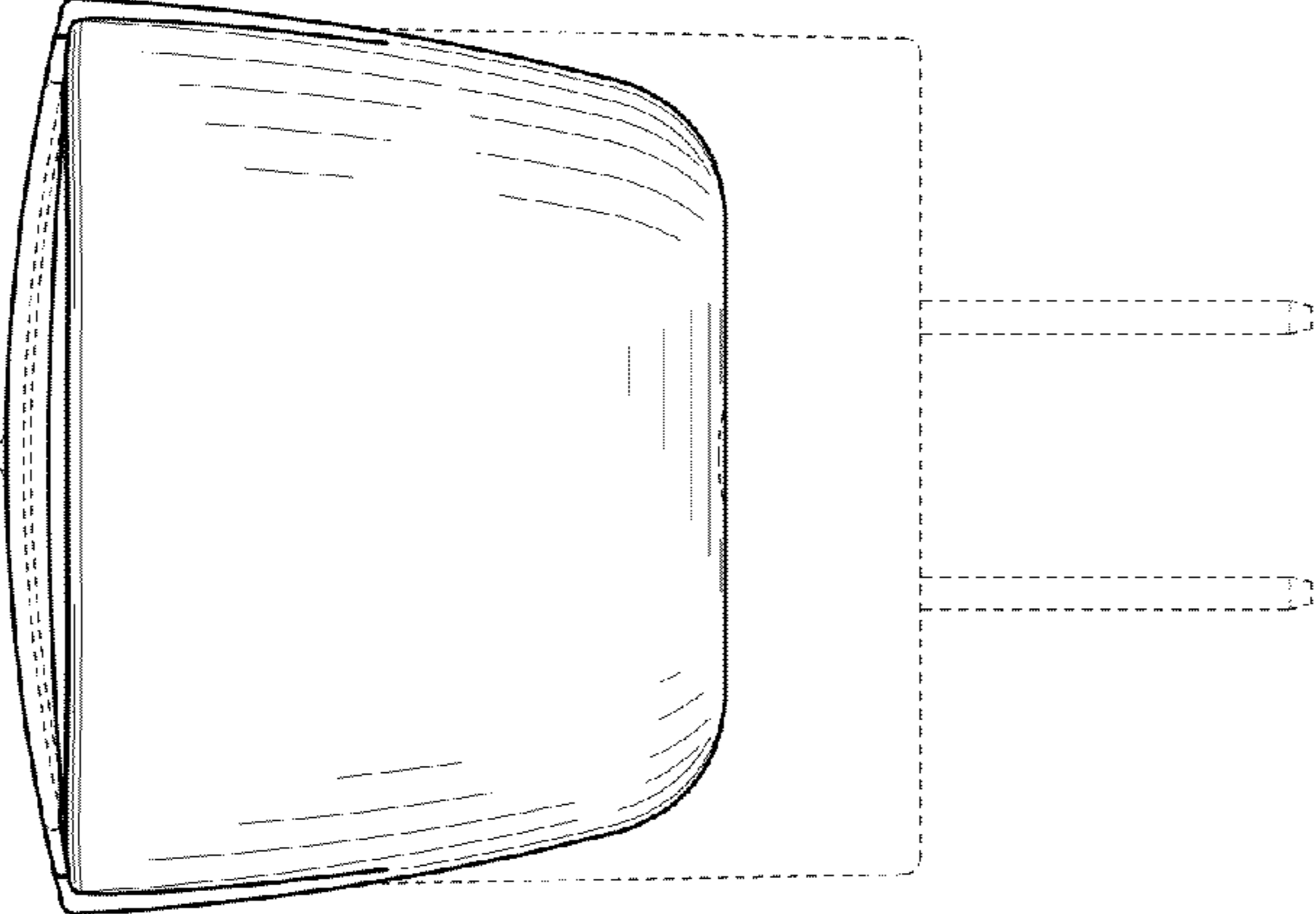


Fig. 5

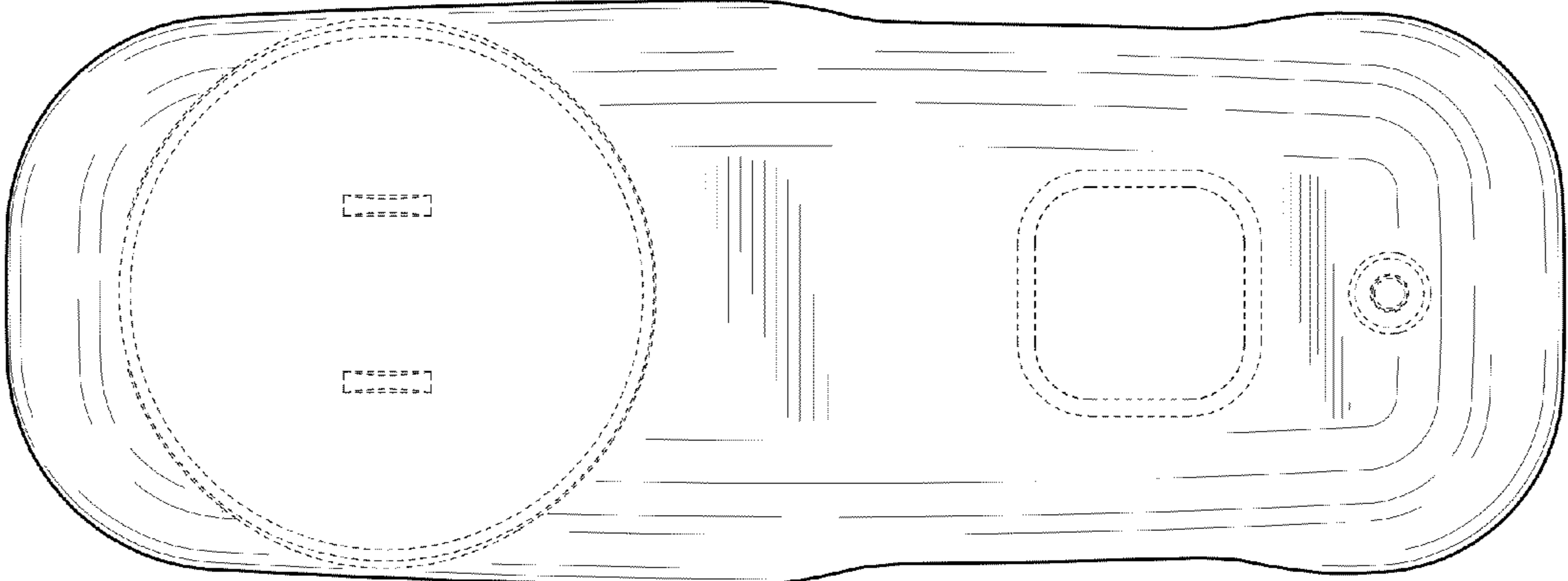


Fig. 7

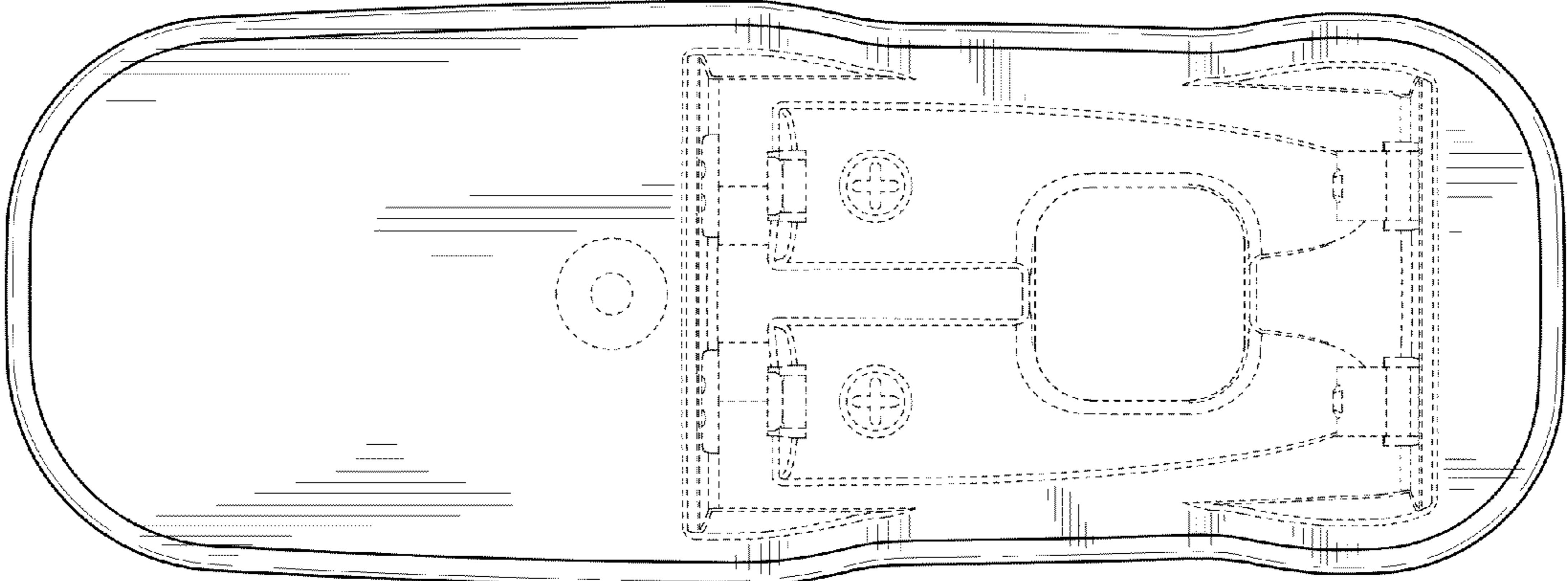


Fig. 6