

US00D694169S

(12) **United States Design Patent**
Fontanilla

(10) **Patent No.:** **US D694,169 S**

(45) **Date of Patent:** **** Nov. 26, 2013**

(54) **CAR COVER**

(76) Inventor: **Nel Fontanilla**, San Jose, CA (US)

(**) Term: **14 Years**

(21) Appl. No.: **29/395,328**

(22) Filed: **Jan. 3, 2012**

(51) **LOC (9) Cl.** **12-16**

(52) **U.S. Cl.**
USPC **D12/401**

(58) **Field of Classification Search**
USPC D12/401-405; 160/370.21, 370.22,
160/370.23; 150/158, 165-167;
296/136.01, 95.1, 84.1, 77.1; 224/328;
135/88.01, 88.1, 91, 93, 95; 280/770
See application file for complete search history.

(56) **References Cited**

U.S. PATENT DOCUMENTS

2,801,667 A * 8/1957 Curran 150/166
D540,245 S * 4/2007 Gupta et al. D12/401

7,204,280 B2 * 4/2007 Allen 150/166
2007/0075563 A1 * 4/2007 Patrice 296/136.01
2007/0284023 A1 * 12/2007 Sitarz 150/166
2008/0174144 A1 * 7/2008 Coleman 296/136.02
2009/0078845 A1 * 3/2009 Koszeghy 248/503
2009/0102230 A1 * 4/2009 Pehrson 296/136.13
2010/0096052 A1 * 4/2010 Graham 150/166

* cited by examiner

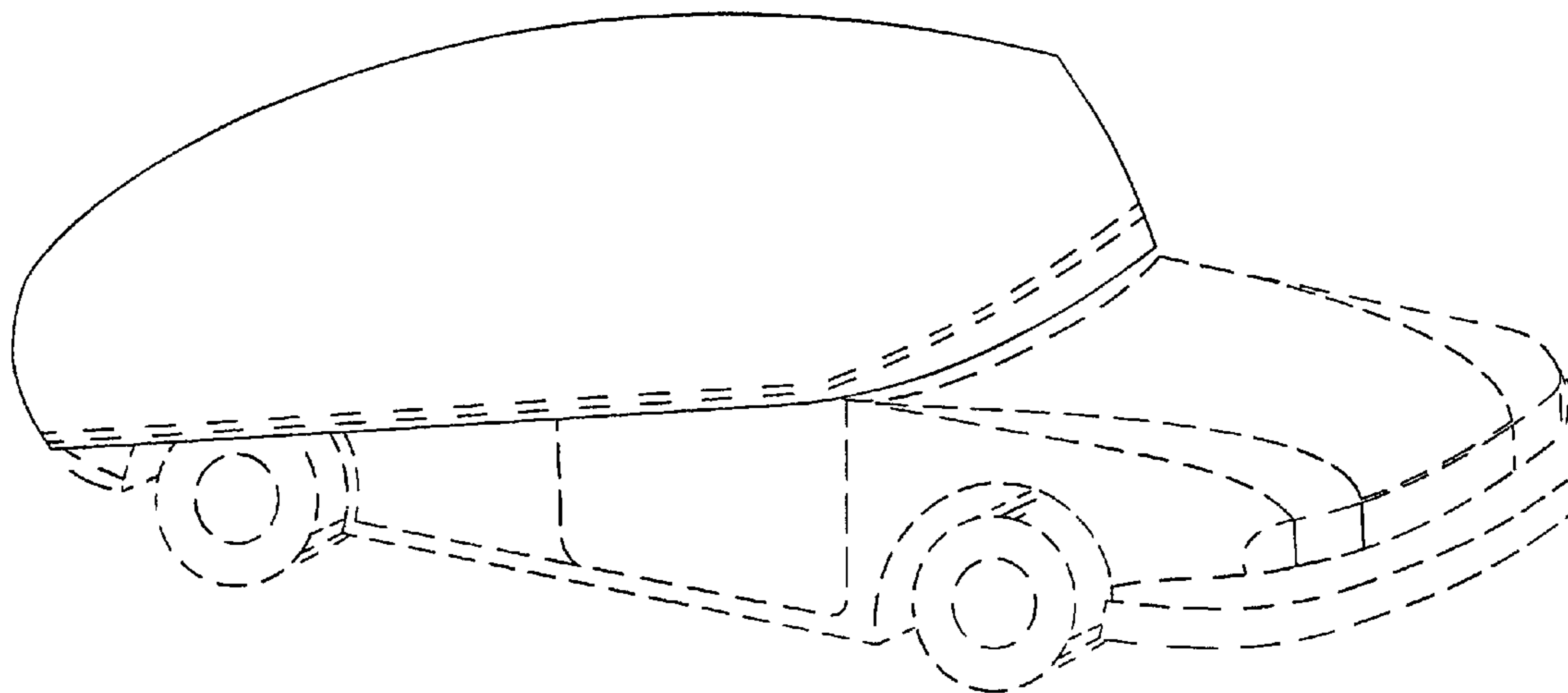
Primary Examiner — Katrina A Betton

(57) **CLAIM**
The ornamental design for a car cover, as shown.

DESCRIPTION

FIG. 1 is a front, top, right perspective view of the car cover showing my new design;
FIG. 2 is a front, top, left perspective view thereof;
FIG. 3 is a rear perspective view thereof; and,
FIG. 4 a front, top right perspective view thereof.
In the drawings, the broken lines depict the vehicle and securing mechanism and form no part of the claimed design.

1 Claim, 4 Drawing Sheets



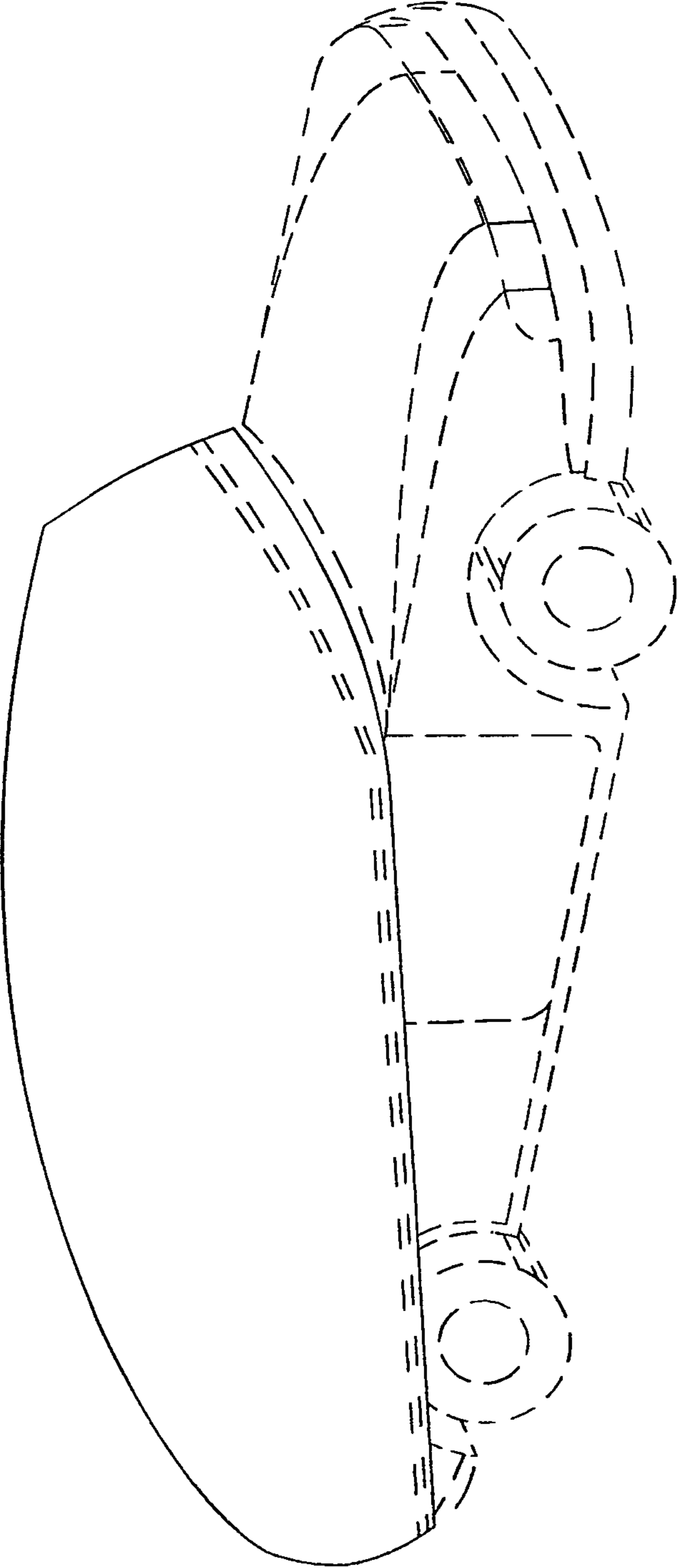


Fig. 1

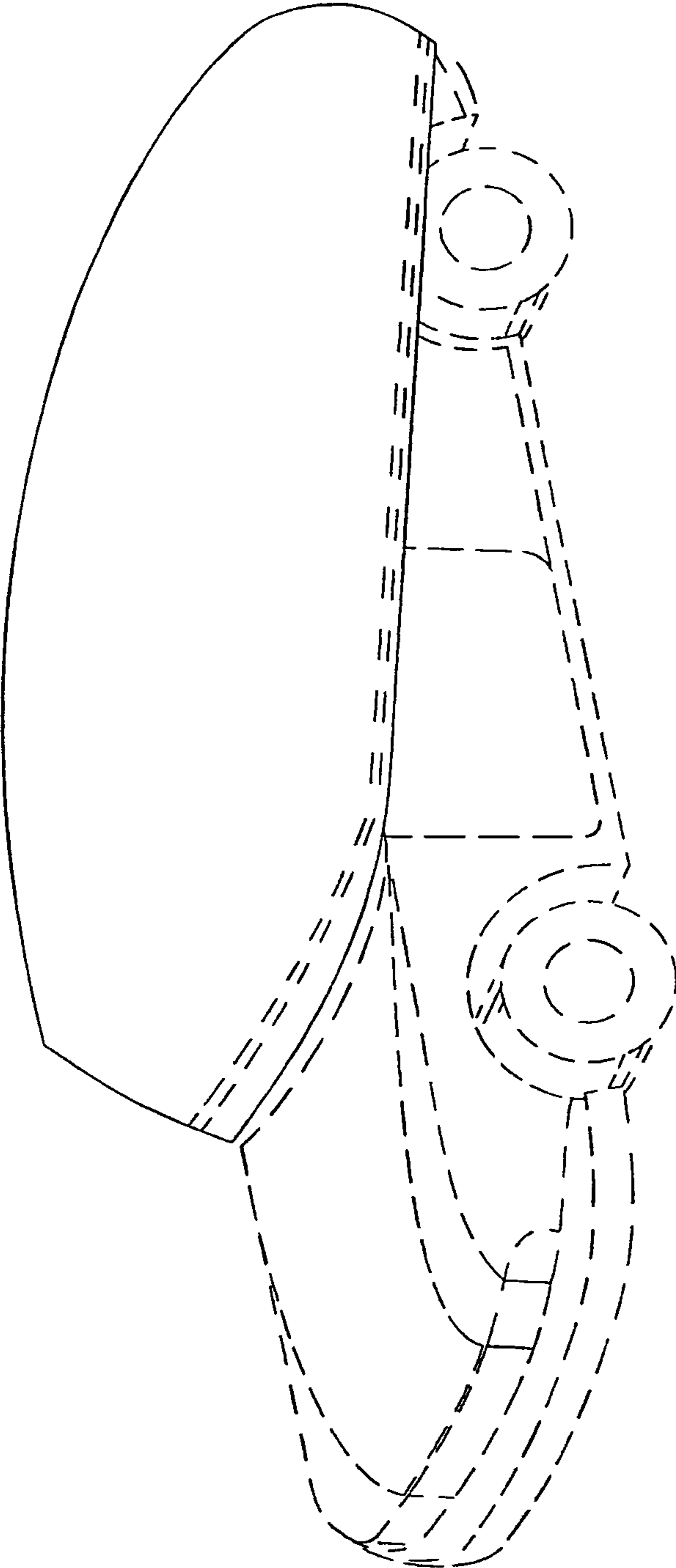


Fig. 2

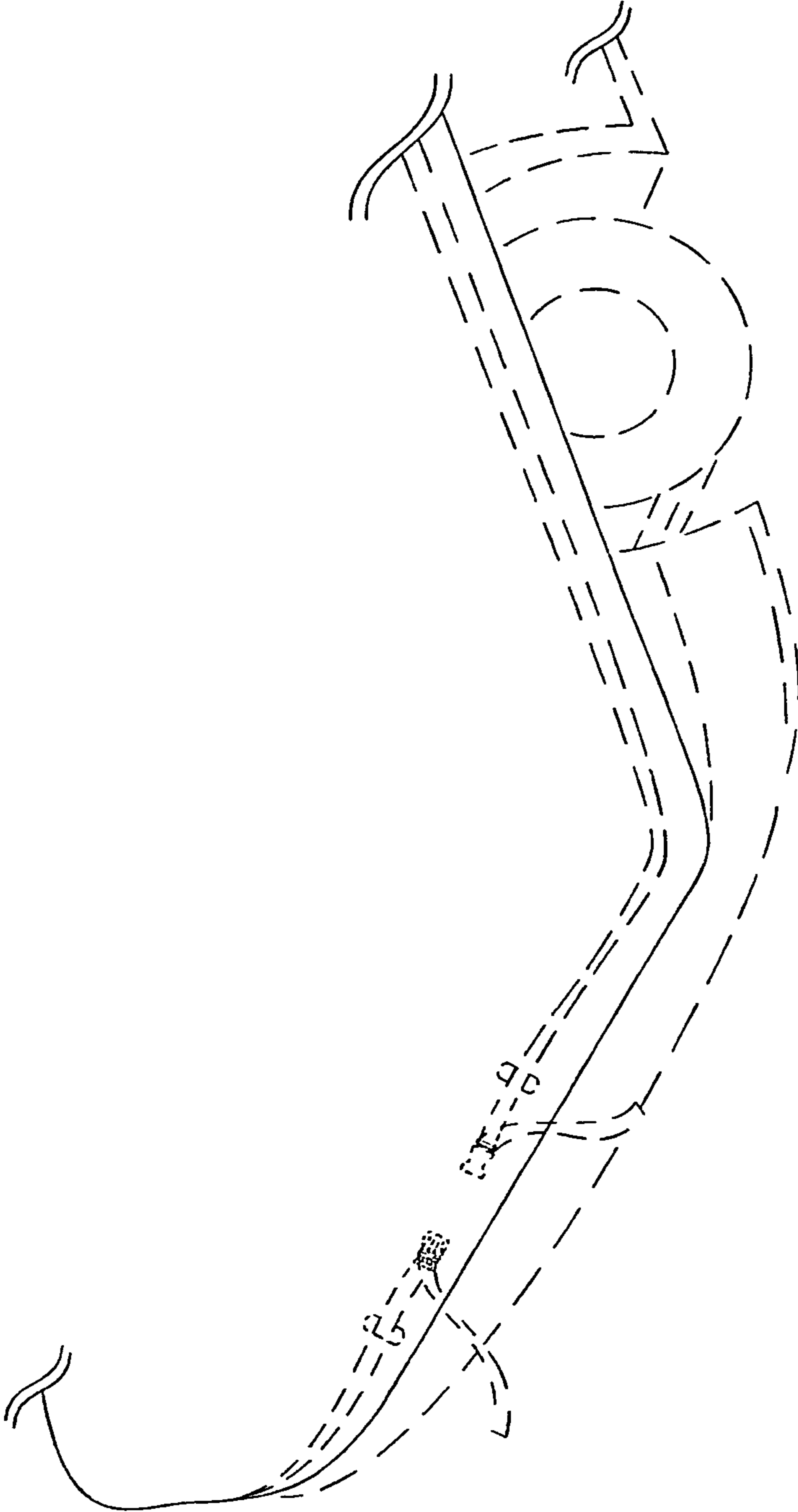


Fig. 3

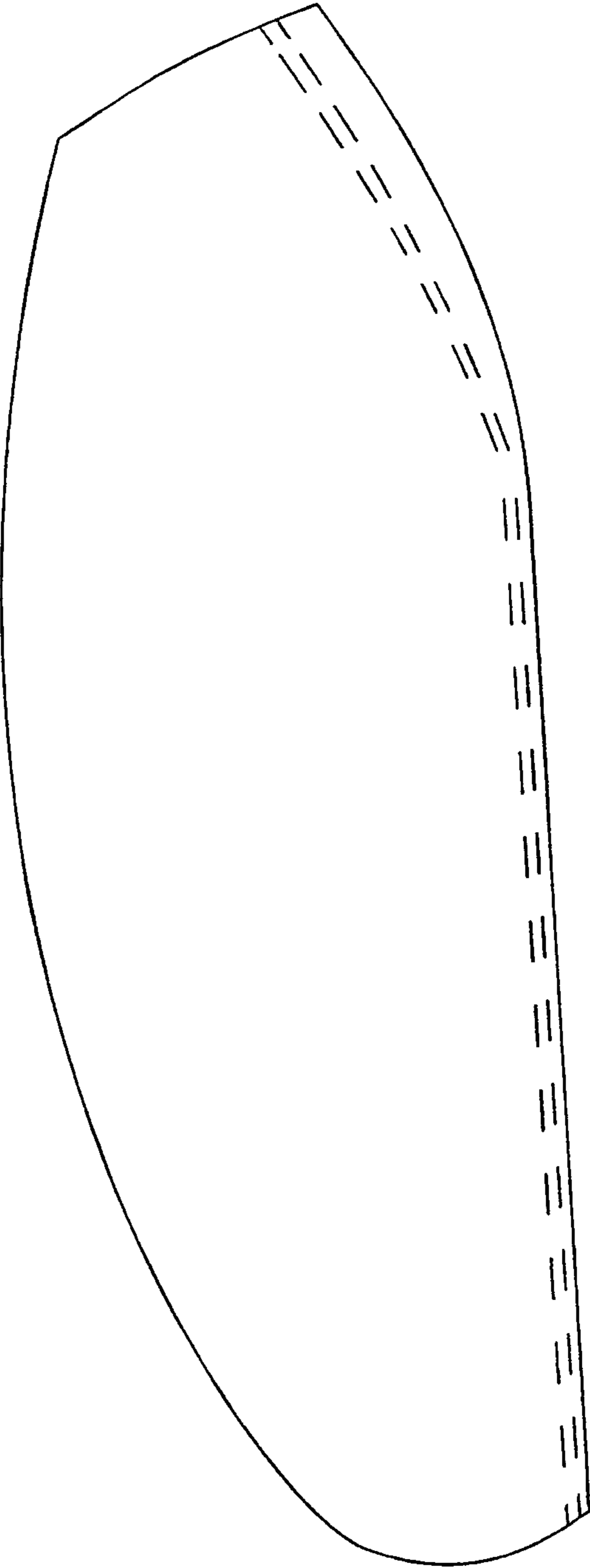


Fig. 4