

US00D694166S

(12) **United States Design Patent**
Tirado

(10) **Patent No.:** **US D694,166 S**
(45) **Date of Patent:** **** Nov. 26, 2013**

(54) **FRONT FACE OF VEHICLE WHEEL**

(71) Applicant: **Diablo Racing Inc.**, Baldwin Park, CA
(US)

(72) Inventor: **Mark Tirado**, Huntington Beach, CA
(US)

(73) Assignee: **Diablo Racing Inc.**, Baldwin Park, CA
(US)

(**) Term: **14 Years**

(21) Appl. No.: **29/454,473**

(22) Filed: **May 10, 2013**

(51) **LOC (9) Cl.** **12-16**

(52) **U.S. Cl.**
USPC **D12/211**

(58) **Field of Classification Search**
USPC D12/204-213; 301/37.101, 64.101, 65,
301/64.201

See application file for complete search history.

(56) **References Cited**

U.S. PATENT DOCUMENTS

D474,440 S * 5/2003 Oh D12/211
D506,172 S * 6/2005 Pfeiffer D12/211

D510,309 S * 10/2005 Cheng D12/211
D546,263 S * 7/2007 Hernandez D12/211
D597,014 S * 7/2009 Nissl D12/211
D625,245 S * 10/2010 Hans et al. D12/211
D630,992 S * 1/2011 Cortes D12/211
D635,081 S * 3/2011 Tirado D12/211
D654,007 S * 2/2012 Nissl D12/211
D656,447 S * 3/2012 Johnson D12/211
D683,689 S * 6/2013 Fahr-Becker D12/211

* cited by examiner

Primary Examiner — Stacia Cadmus

(74) *Attorney, Agent, or Firm* — Christie, Parker & Hale,
LLP

(57) **CLAIM**

The ornamental design for front face of vehicle wheel, as shown and described.

DESCRIPTION

FIG. 1 is a front perspective view of the front face of a vehicle wheel according to the present invention; and, FIG. 2 is a front elevational view thereof.

The broken line showing of the rear of the rim is included for the purpose of illustrating environment and forms no part of the claimed design.

1 Claim, 1 Drawing Sheet

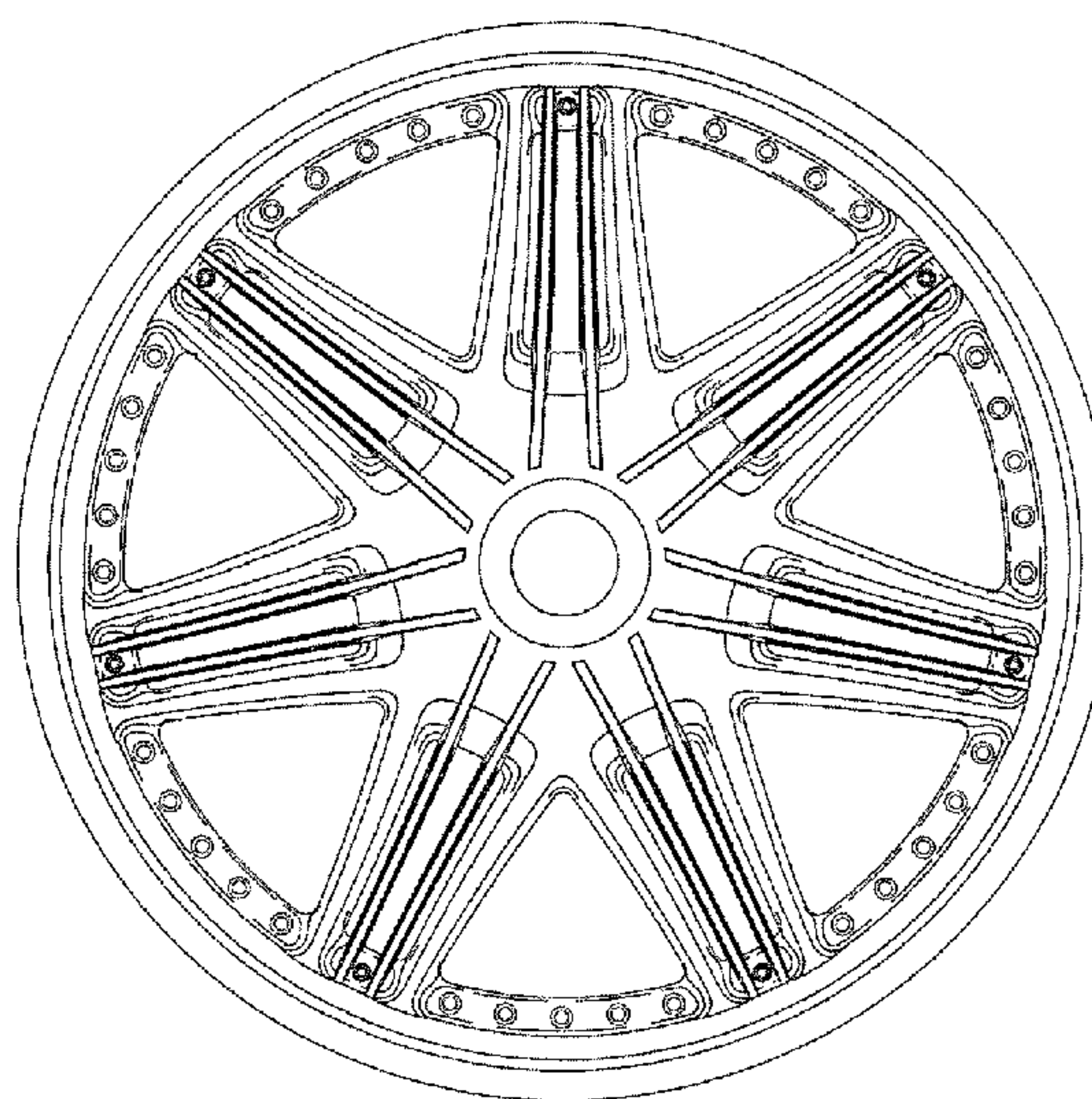
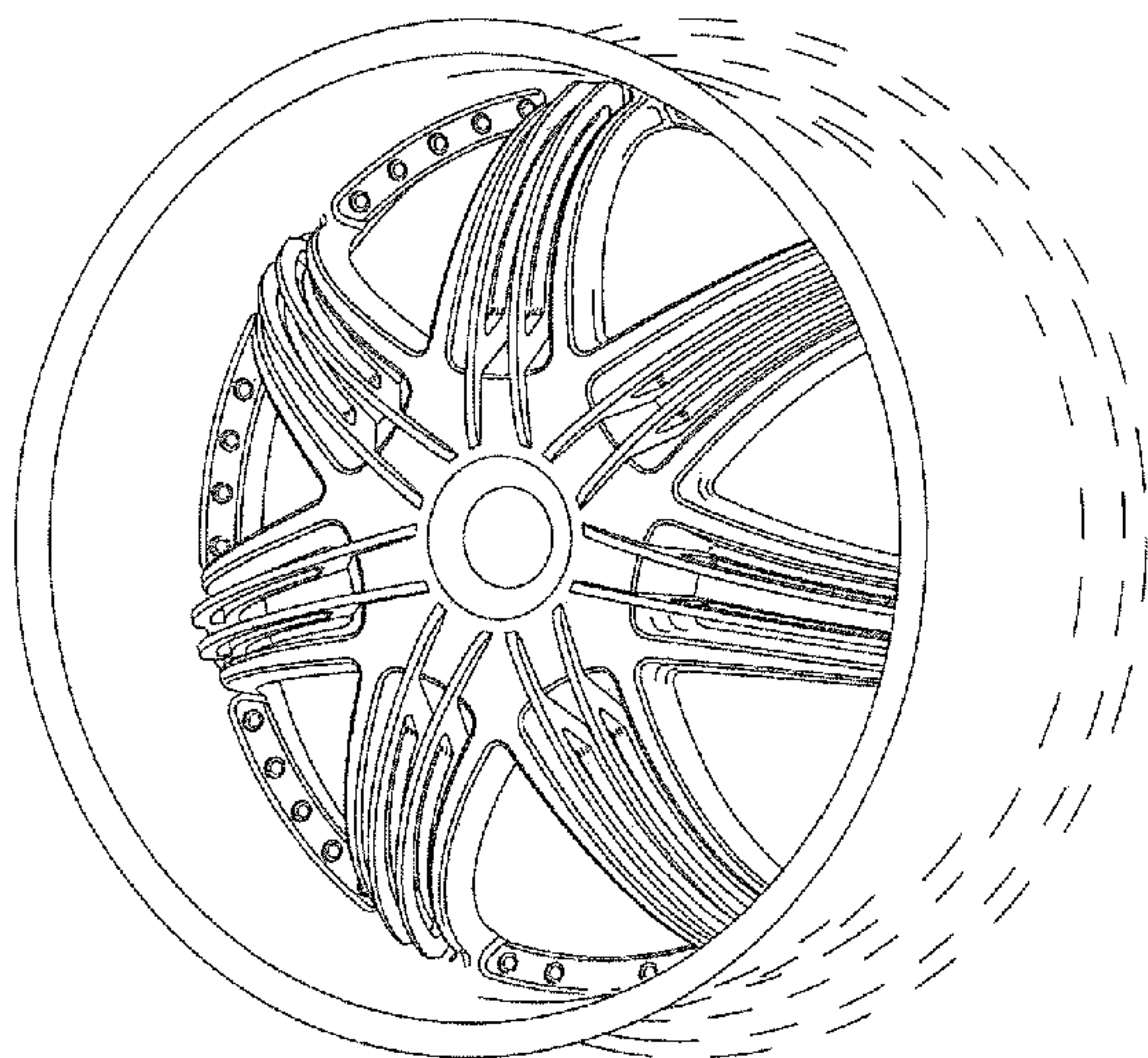


Fig. 1

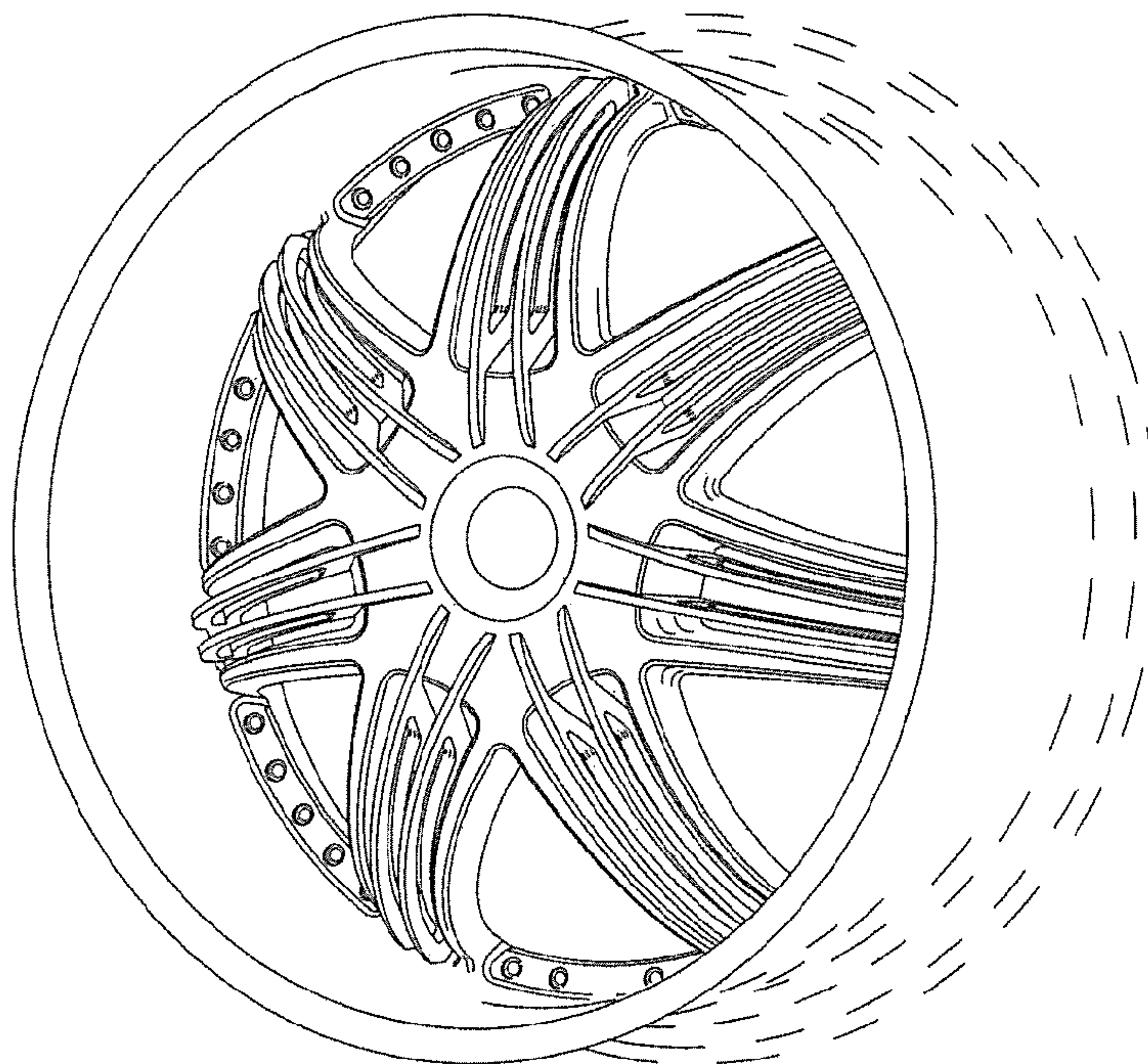


Fig. 2

