



US00D694159S

(12) **United States Design Patent**
Jung

(10) **Patent No.:** **US D694,159 S**

(45) **Date of Patent:** **** Nov. 26, 2013**

(54) **VEHICLE HOOD**

(71) Applicant: **Cobra King Industry Co., Ltd.**, Yun Lin Hsien (TW)

(72) Inventor: **Wu-Chung Jung**, Yun Lin Hsien (TW)

(73) Assignee: **Cobra King Industry Co., Ltd.**, Yun Lin Hsien (TW)

(**) Term: **14 Years**

(21) Appl. No.: **29/438,049**

(22) Filed: **Nov. 26, 2012**

(51) **LOC (9) Cl.** **12-08**

(52) **U.S. Cl.**
USPC **D12/173**

(58) **Field of Classification Search**
USPC D12/86, 90, 91, 92, 173, 196; 180/69.2, 180/69.21, 69.22
See application file for complete search history.

(56) **References Cited**

U.S. PATENT DOCUMENTS

D385,242 S * 10/1997 Grabo et al. D12/173
D386,457 S * 11/1997 Wittine D12/173
D499,992 S * 12/2004 Chan D12/173

D512,666 S * 12/2005 Chiang D12/173
D597,454 S * 8/2009 Wagner et al. D12/173
D623,570 S * 9/2010 Hamburger D12/173
D641,669 S * 7/2011 Vardis D12/173
D645,384 S * 9/2011 Verhee et al. D12/173
2006/0201727 A1* 9/2006 Chan 180/69.25

* cited by examiner

Primary Examiner — Philip S Hyder

Assistant Examiner — Darlington Ly

(74) *Attorney, Agent, or Firm* — Rosenberg, Klein & Lee

(57) **CLAIM**

The ornamental design for a vehicle hood, as shown and described.

DESCRIPTION

FIG. 1 is a perspective view of a vehicle hood showing my new design;

FIG. 2 is a front elevational view thereof;

FIG. 3 is a rear elevational view thereof;

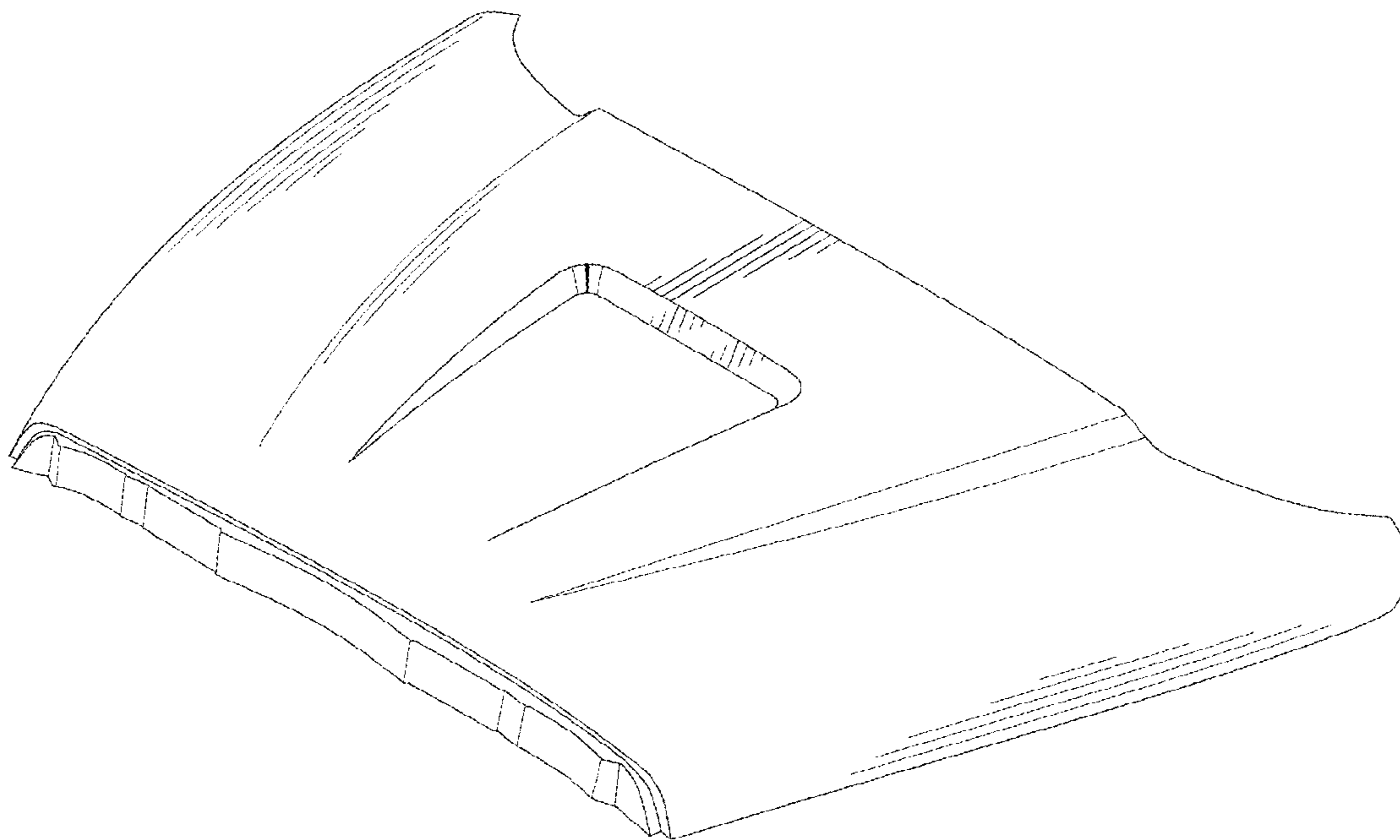
FIG. 4 is a left side elevational view thereof;

FIG. 5 is a right side elevational view thereof; and,

FIG. 6 is a top plan view thereof.

The broken lines shown in the drawings illustrate portions of the vehicle hood that forms no part of the claimed design.

1 Claim, 6 Drawing Sheets



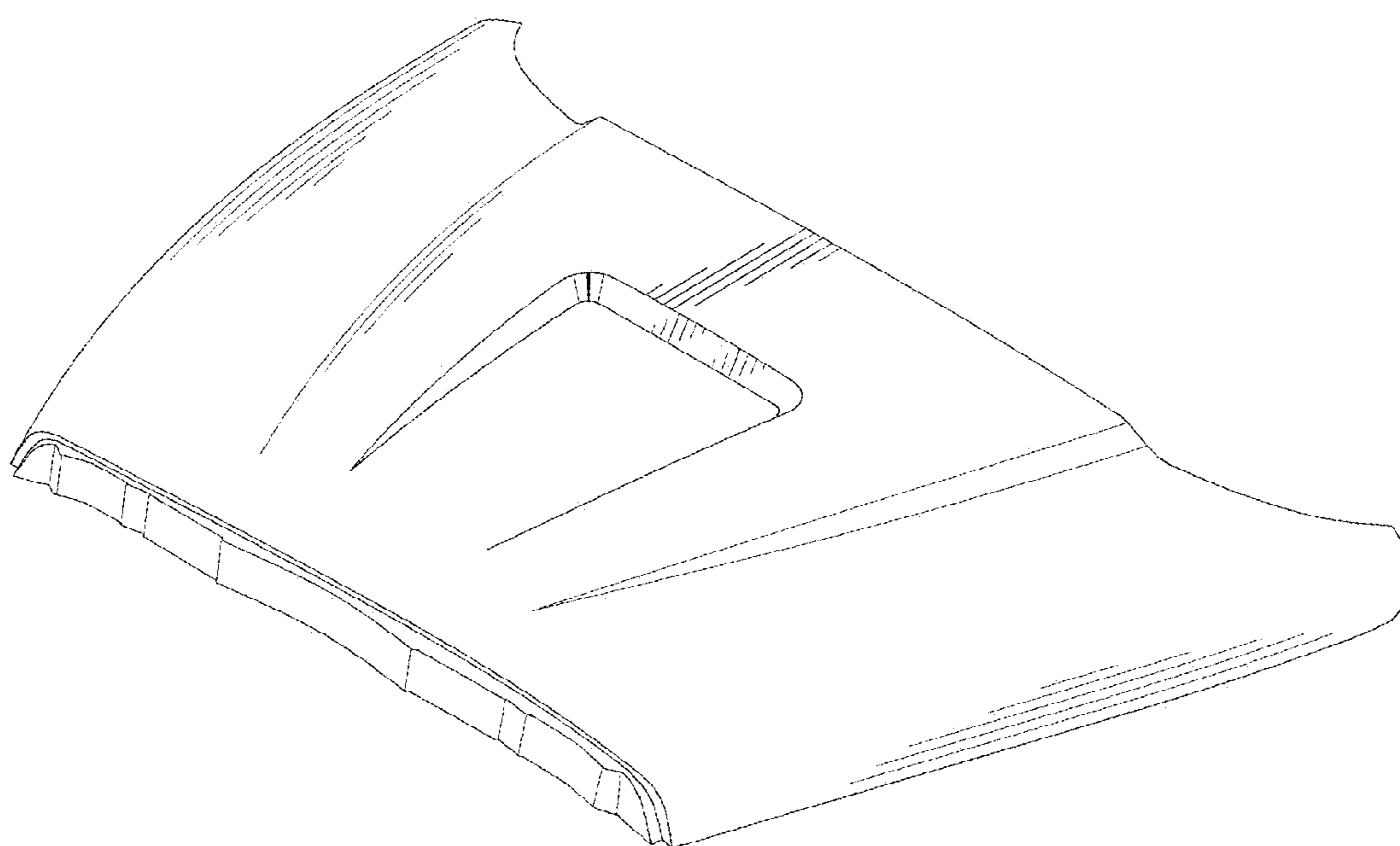


FIG. 1

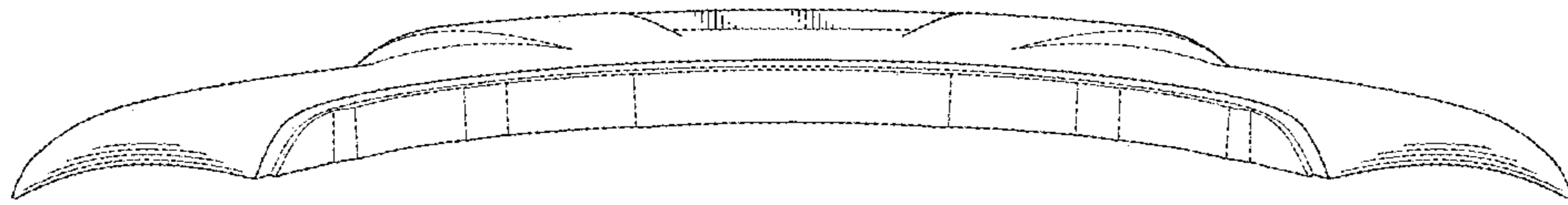


FIG. 2

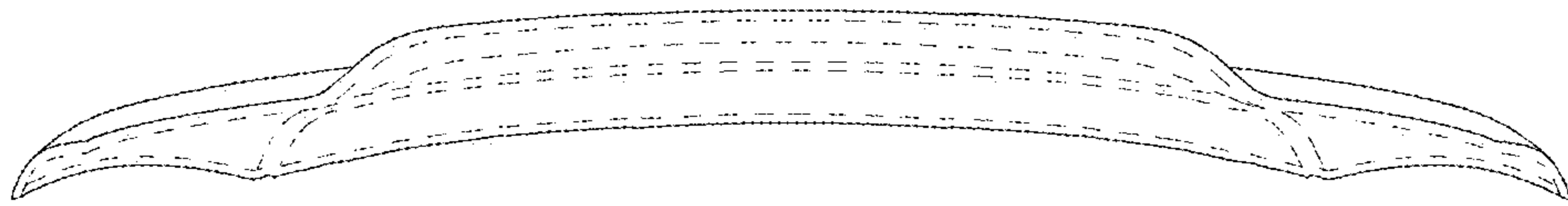


FIG. 3

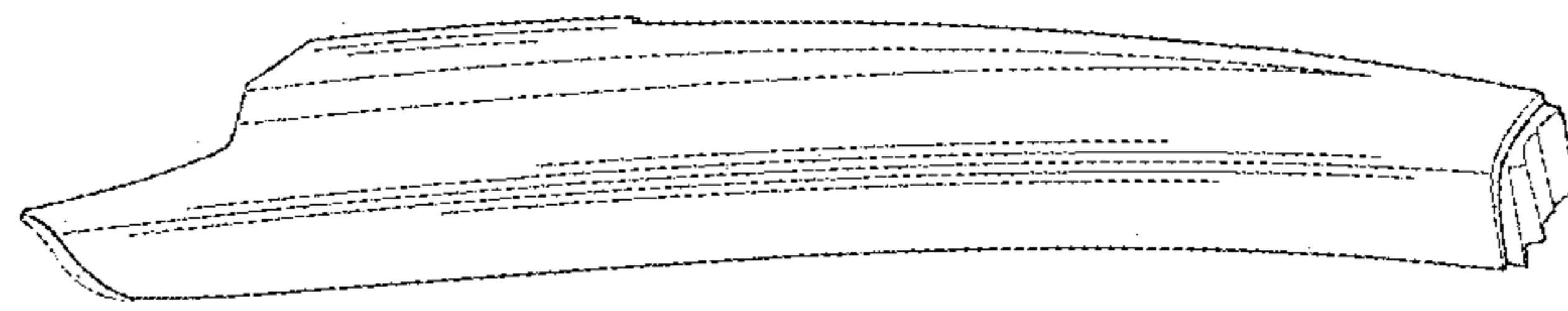


FIG. 4

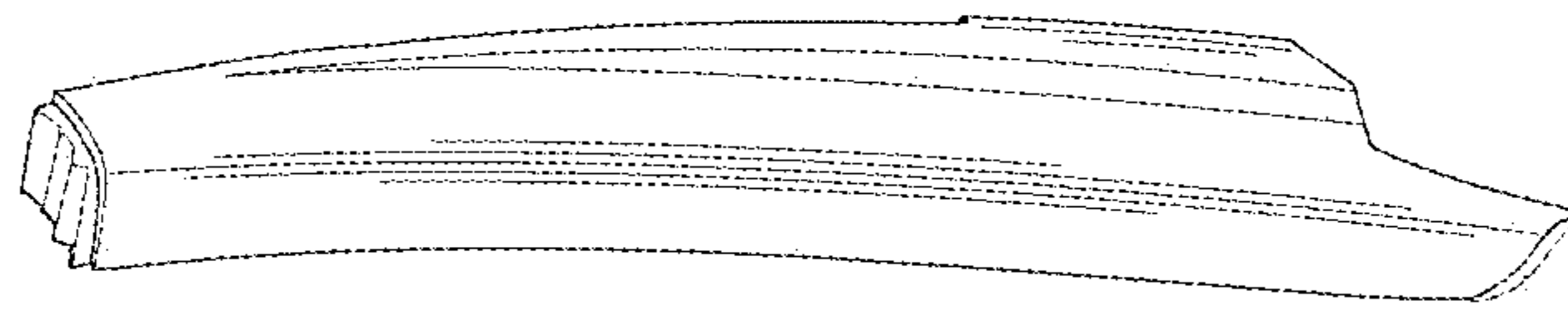


FIG. 5

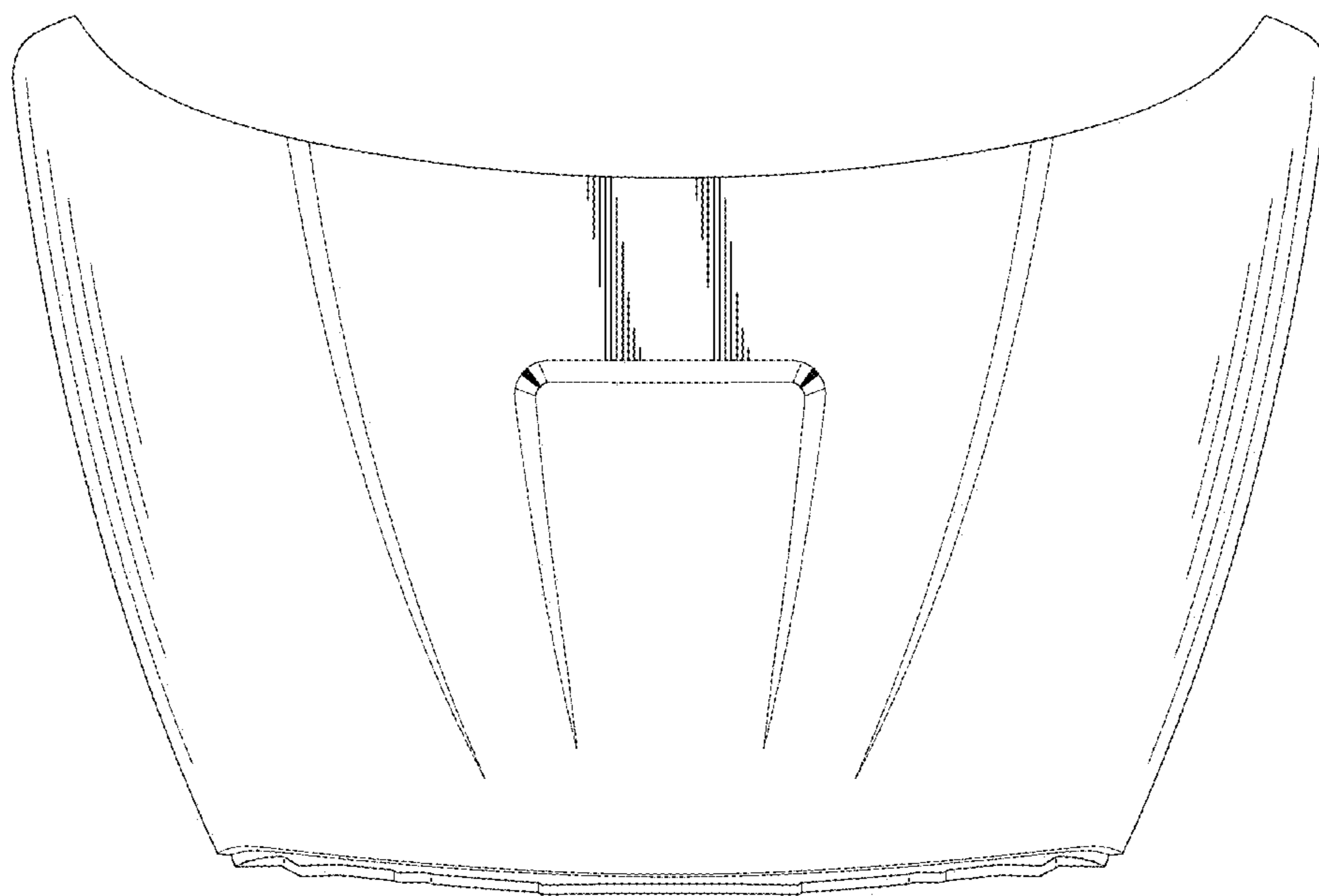


FIG. 6