

US00D694156S

(12) **United States Design Patent**  
**Taipalus**

(10) **Patent No.:** **US D694,156 S**

(45) **Date of Patent:** **\*\* Nov. 26, 2013**

(54) **BICYCLE**

(75) Inventor: **Timo Taipalus**, Pojanluoma (FI)

(73) Assignee: **Bike Concept Oy**, Härmä (FI)

(\*\*) Term: **14 Years**

(21) Appl. No.: **29/420,820**

(22) Filed: **May 14, 2012**

(30) **Foreign Application Priority Data**

Nov. 15, 2011 (EM) ..... 1947516-0001

(51) **LOC (9) Cl.** ..... **12-11**

(52) **U.S. Cl.**  
USPC ..... **D12/111**

(58) **Field of Classification Search**  
USPC ..... D12/111, 110; 280/274–288, 281.1,  
280/288.1–288.3; 180/218–220,  
180/206.1–206.8, 205.1, 207.3, 65.6–65.8  
See application file for complete search history.

(56) **References Cited**

**U.S. PATENT DOCUMENTS**

5,924,511 A \* 7/1999 Takata ..... 180/206.2  
6,076,845 A \* 6/2000 Lawwill et al. .... 280/284

6,910,702 B1 \* 6/2005 Hals ..... 280/286  
D529,843 S \* 10/2006 Pizzi ..... D12/111  
8,403,350 B2 \* 3/2013 Talavasek et al. .... 280/281.1  
2008/0023935 A1 \* 1/2008 McAndrews ..... 280/283  
2008/0100027 A1 \* 5/2008 Christini et al. .... 280/279  
2012/0074666 A1 \* 3/2012 Chamberlain ..... 280/284

\* cited by examiner

*Primary Examiner* — Susan M Lee

*Assistant Examiner* — Linda Brooks

(74) *Attorney, Agent, or Firm* — Jacobson Holman PLLC

(57) **CLAIM**

I claim the ornamental design for the bicycle, as shown and described.

**DESCRIPTION**

FIG. 1 is front perspective view of the bicycle embodying my design;

FIG. 2 is a left side elevational view of FIG. 1;

FIG. 3 is a right side elevational view of FIG. 1;

FIG. 4 is a front view of FIG. 1;

FIG. 5 is a rear view of FIG. 1;

FIG. 6 is a top plan view of FIG. 1; and,

FIG. 7 is bottom view of FIG. 1.

**1 Claim, 7 Drawing Sheets**



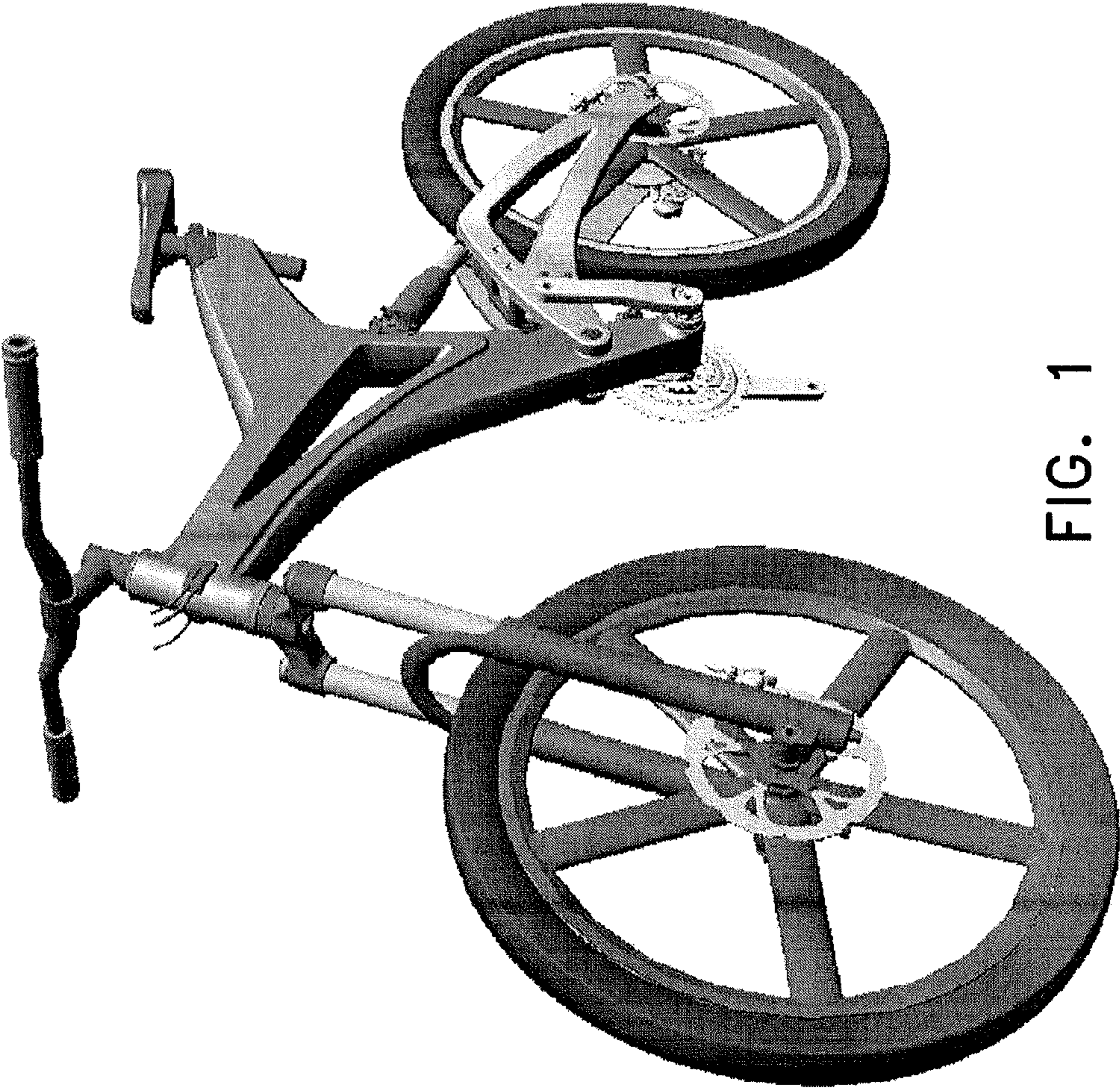


FIG. 1

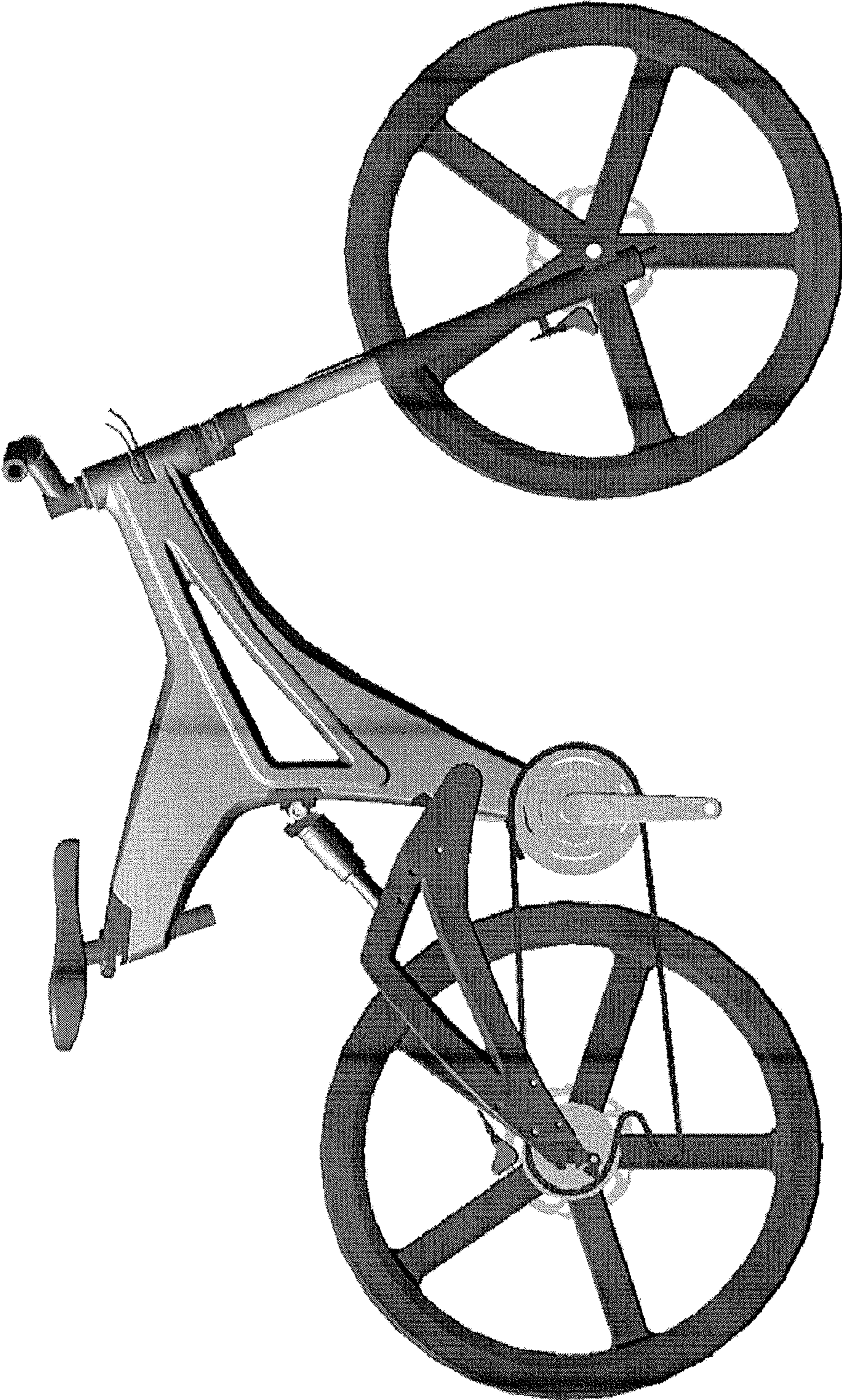


FIG. 2



FIG. 3

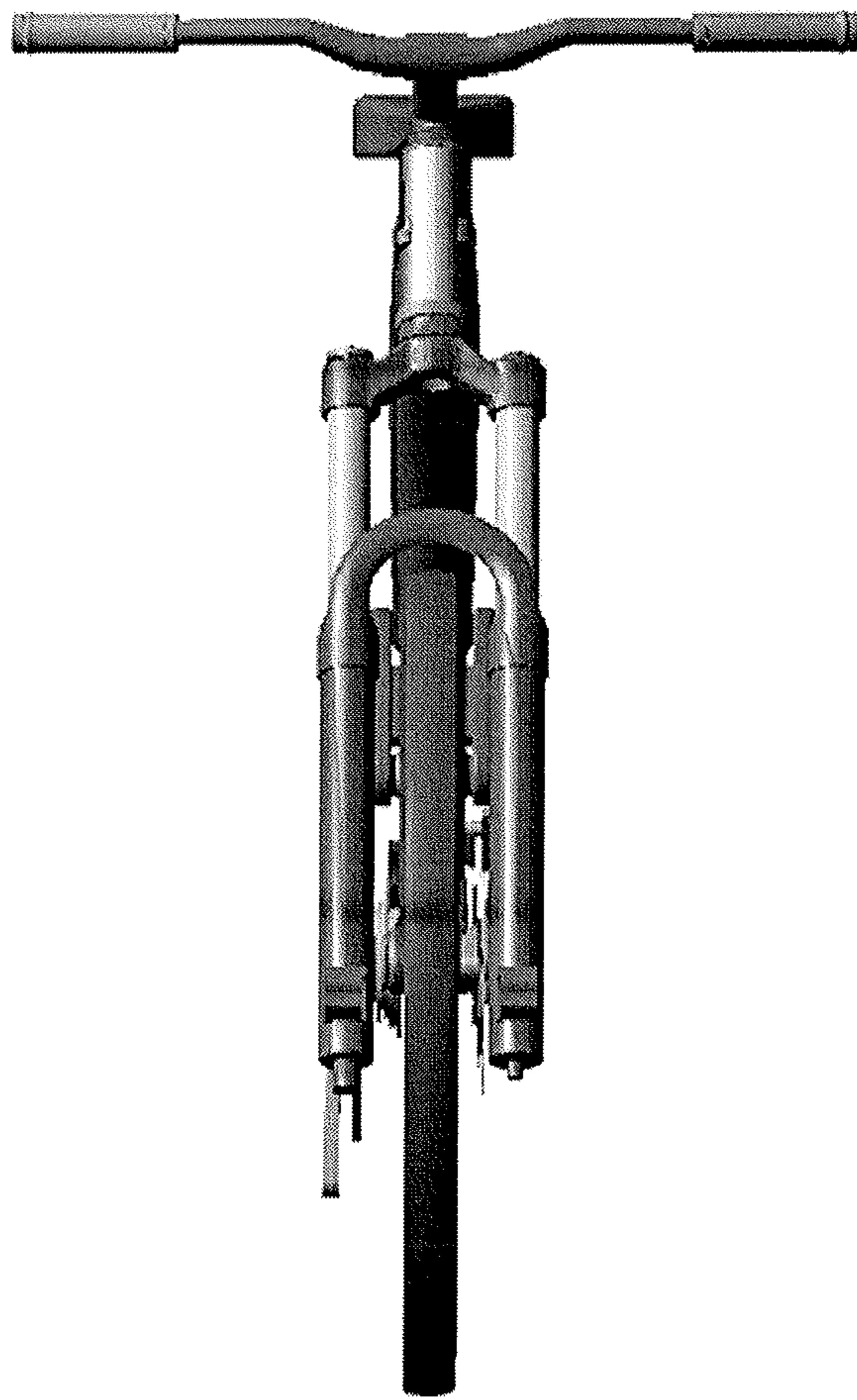


FIG. 4

13

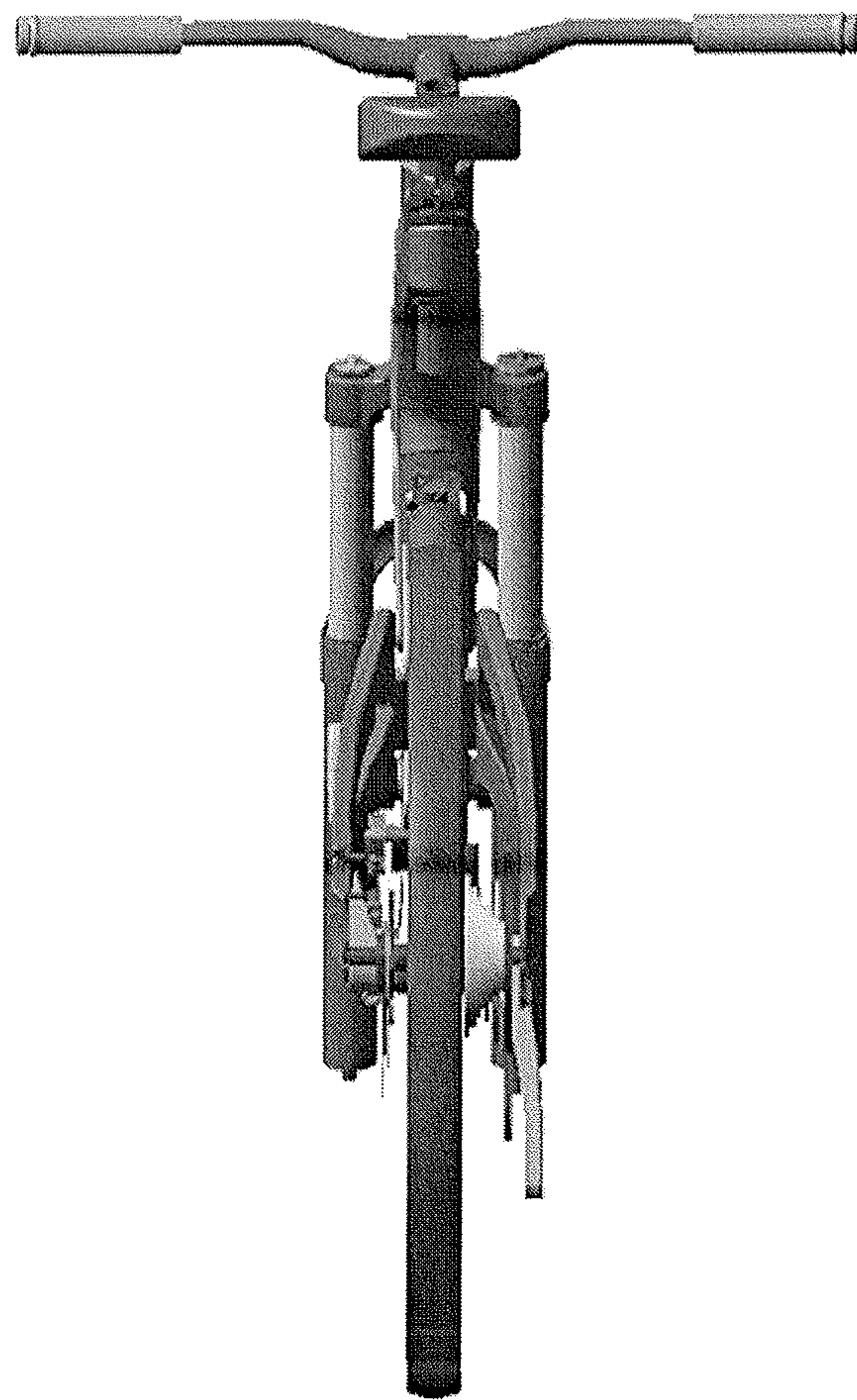


FIG. 5

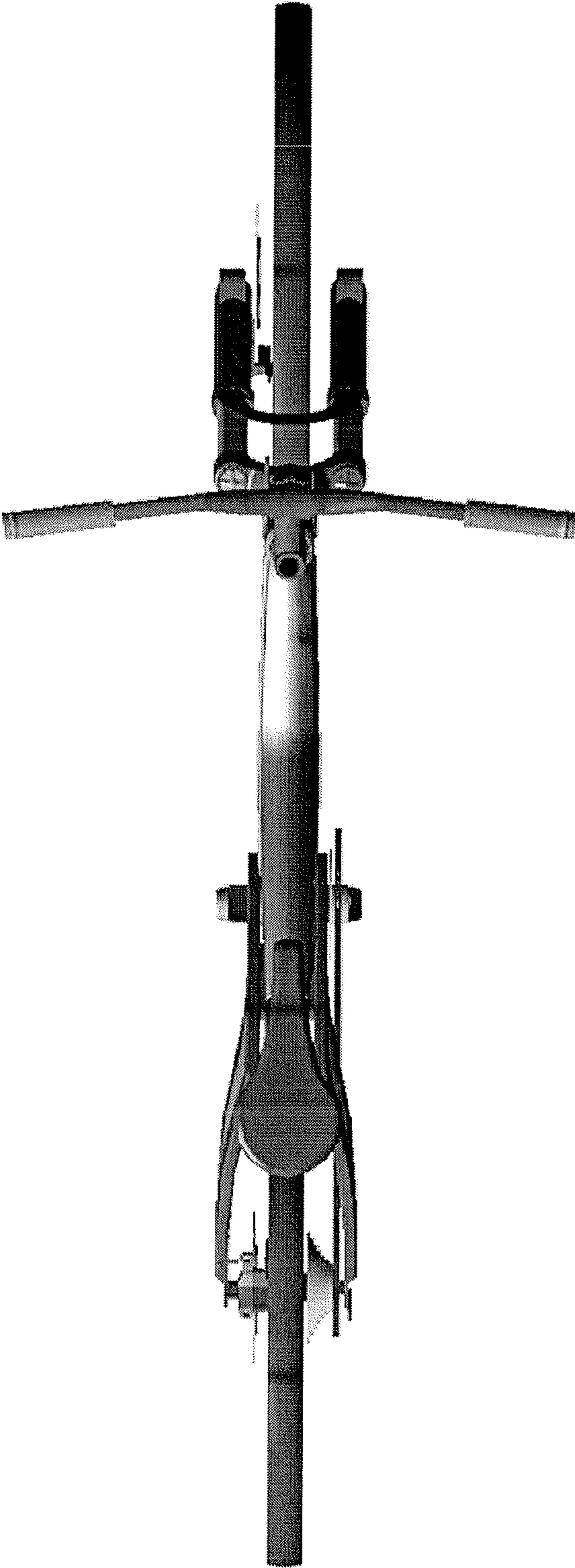


FIG. 6

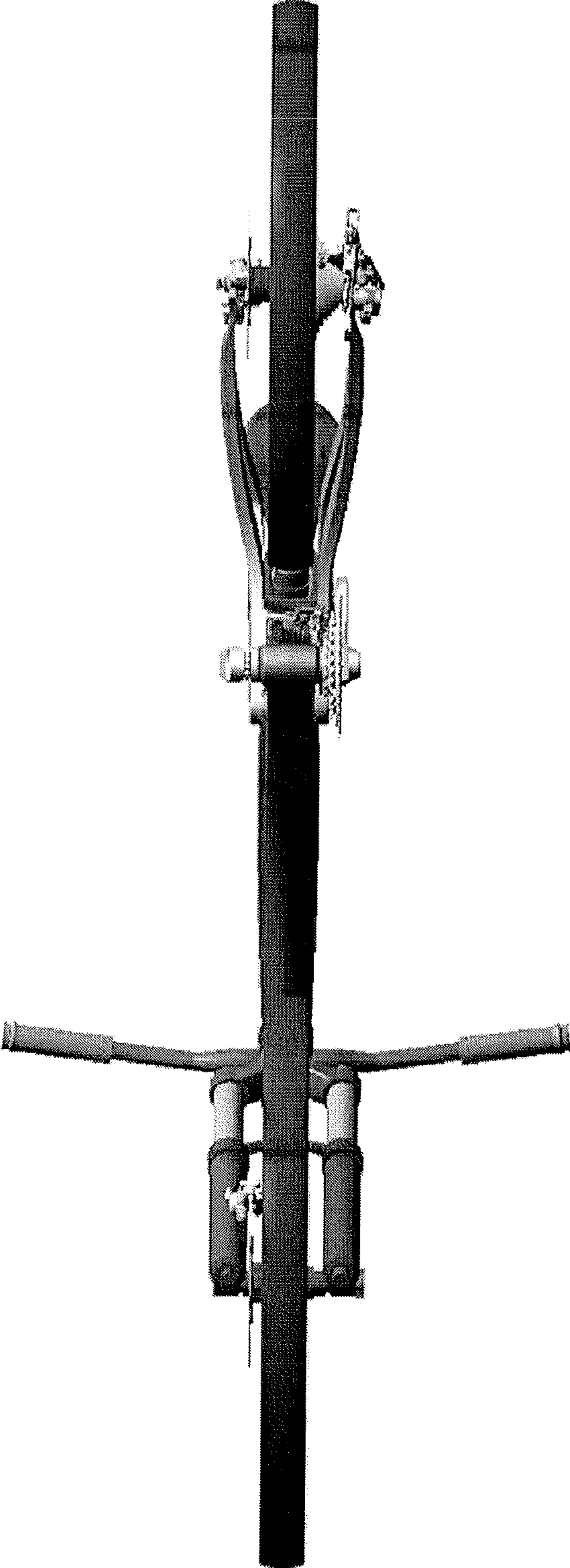


FIG. 7