



US00D694154S

(12) **United States Design Patent**
Arru et al.

(10) **Patent No.:** **US D694,154 S**
(45) **Date of Patent:** **** Nov. 26, 2013**

(54) **MOTORCYCLE**

(75) Inventors: **Pietro Arru**, Pontedera (IT); **Marco Lambri**, Pontedera (IT); **Alberto Cappella**, Noale (IT); **Miguel Galluzzi**, Noale (IT)

(73) Assignee: **Piaggio & C. S.p.A.**, Pontedera (PI) (IT)

(**) Term: **14 Years**

(21) Appl. No.: **29/423,658**

(22) Filed: **Jun. 4, 2012**

(30) **Foreign Application Priority Data**

Feb. 1, 2012 (EM) 001984386

(51) **LOC (9) Cl.** **12-11**

(52) **U.S. Cl.**
USPC **D12/110**

(58) **Field of Classification Search**
USPC D12/110; 180/219, 220
See application file for complete search history.

(56) **References Cited**

PUBLICATIONS

Moto Guzzi motorcycles shown and/or described on pp. 1-10, posted Jan. 31, 1013. [Retrieved on Feb. 28, 2013]. Retrieved from the

Internet <URL: <http://www.topspeed.com/motorcycles/motorcycle-reviews/moto-guzzi/index181.html>>.*

2010 Moto Guzzi Nevada Aquila Nera motorcycle shown and described on pp. 1-3. [Retrieved on Feb. 28, 2013]. Retrieved from the Internet <URL: <http://www.totalmotorcycle.com/photos/2010models/2010-MotoGuzzi-NevadaAquilaNera...>>.*

* cited by examiner

Primary Examiner — Susan M Lee

Assistant Examiner — Linda Brooks

(74) *Attorney, Agent, or Firm* — Hedman & Costigan, P.C.; James V. Costigan; Kathleen A. Costigan

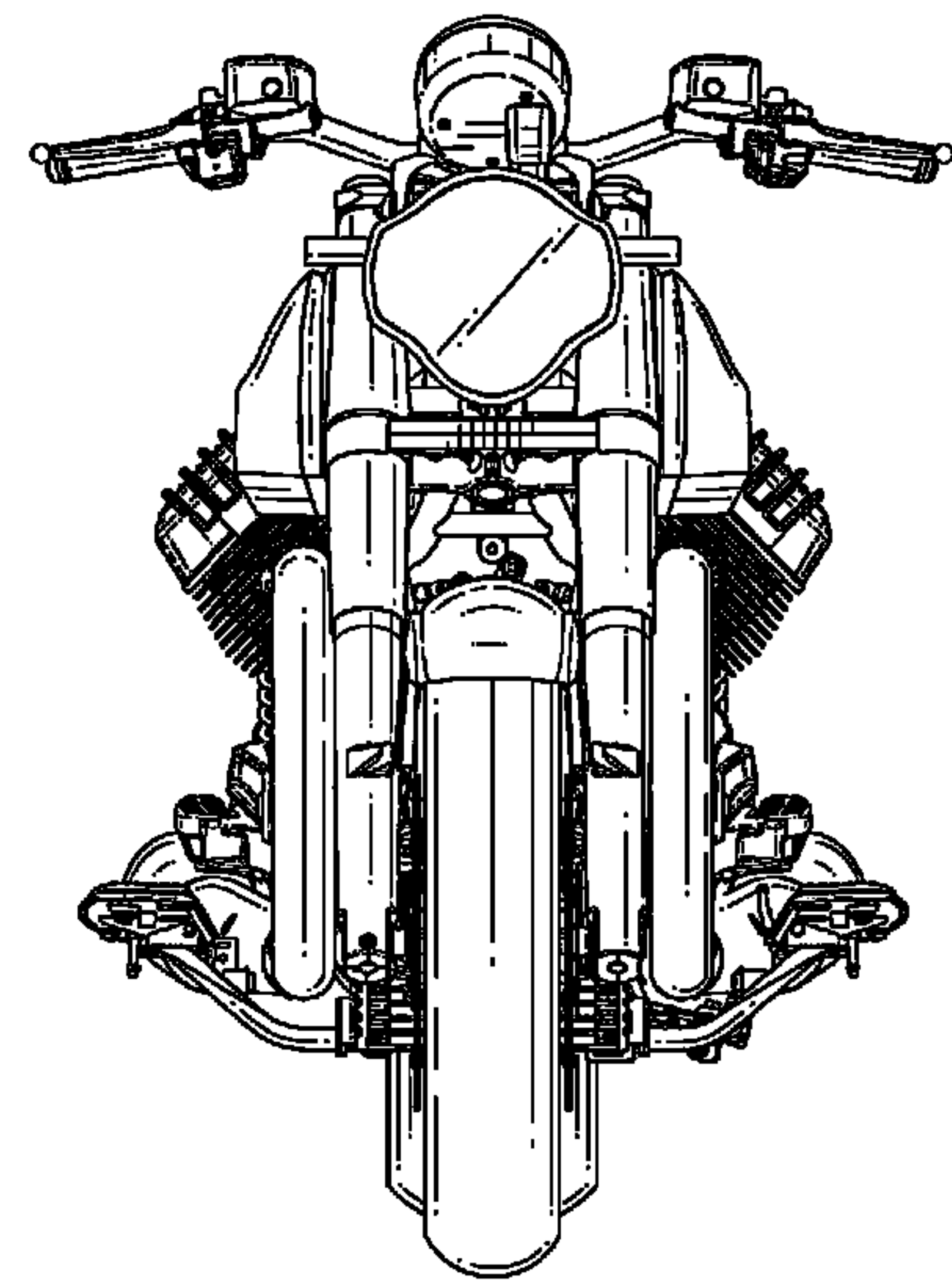
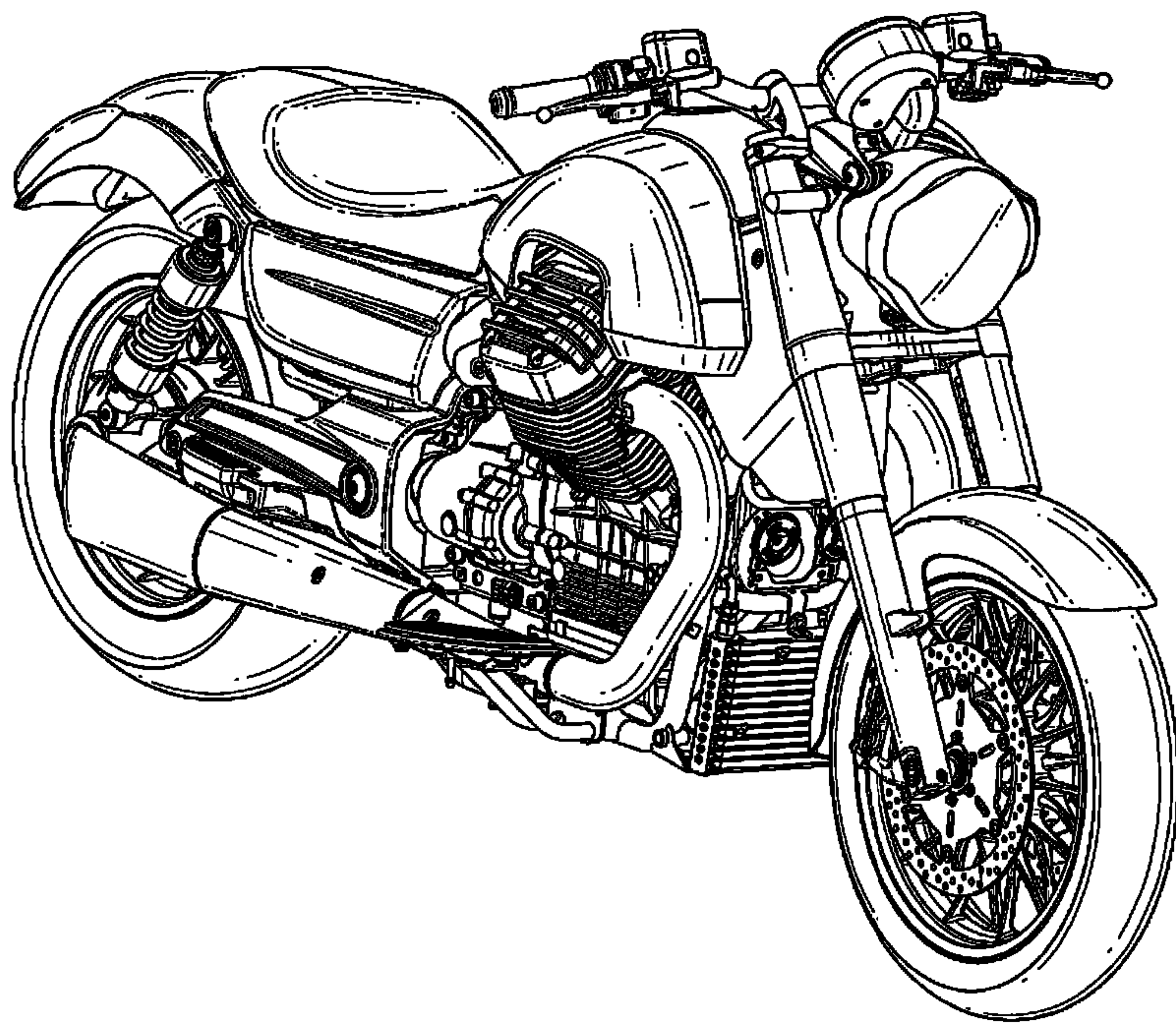
(57) **CLAIM**

The ornamental design for a motorcycle, as shown and described.

DESCRIPTION

FIG. 1 is a front, right side perspective view of the invention; FIG. 2 is a front view thereof; FIG. 3 is a rear view thereof; FIG. 4 is a left side view thereof; FIG. 5 is a right side view thereof; FIG. 6 is a top view thereof; and, FIG. 7 is a bottom view thereof.

1 Claim, 7 Drawing Sheets



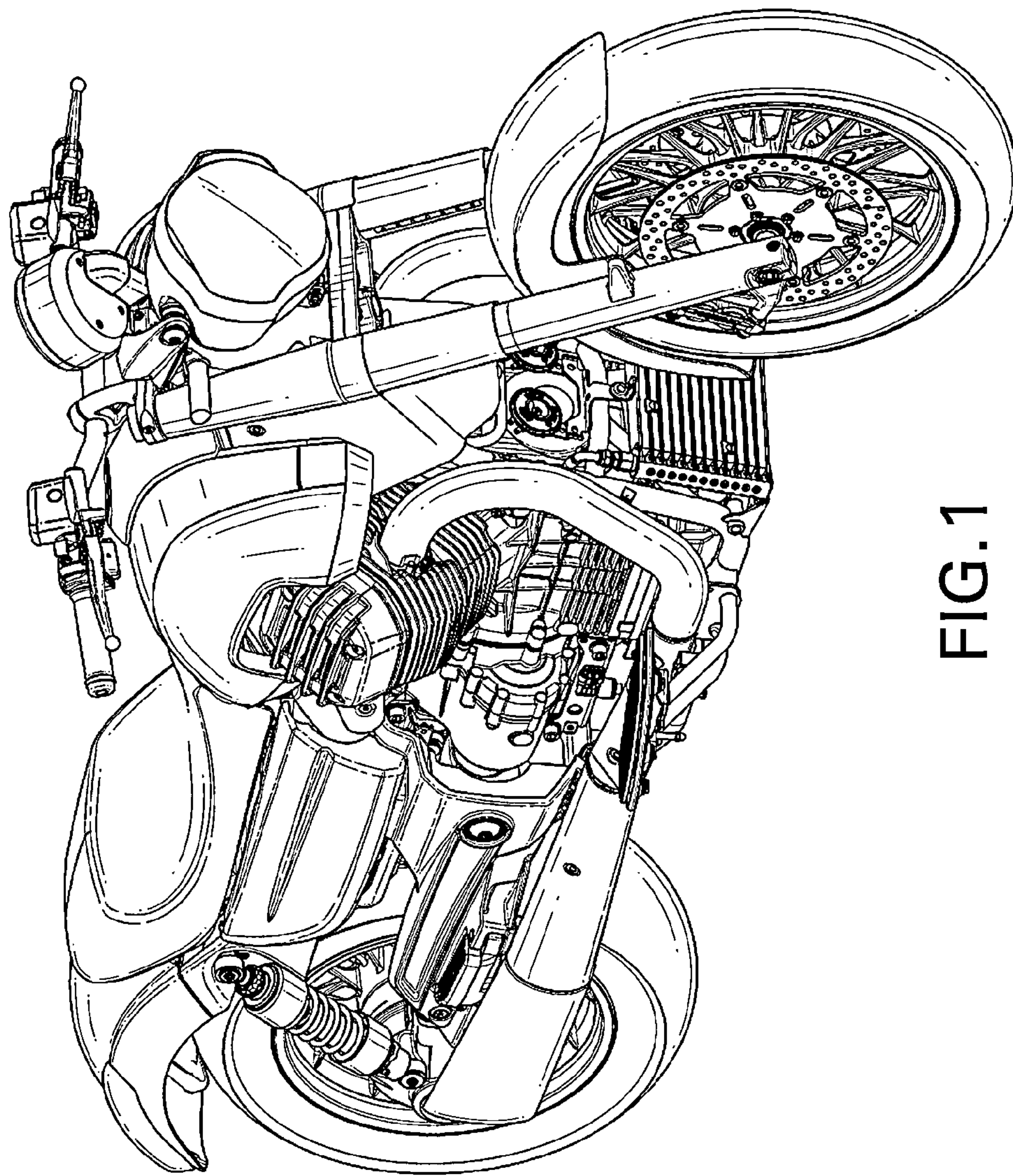


FIG. 1

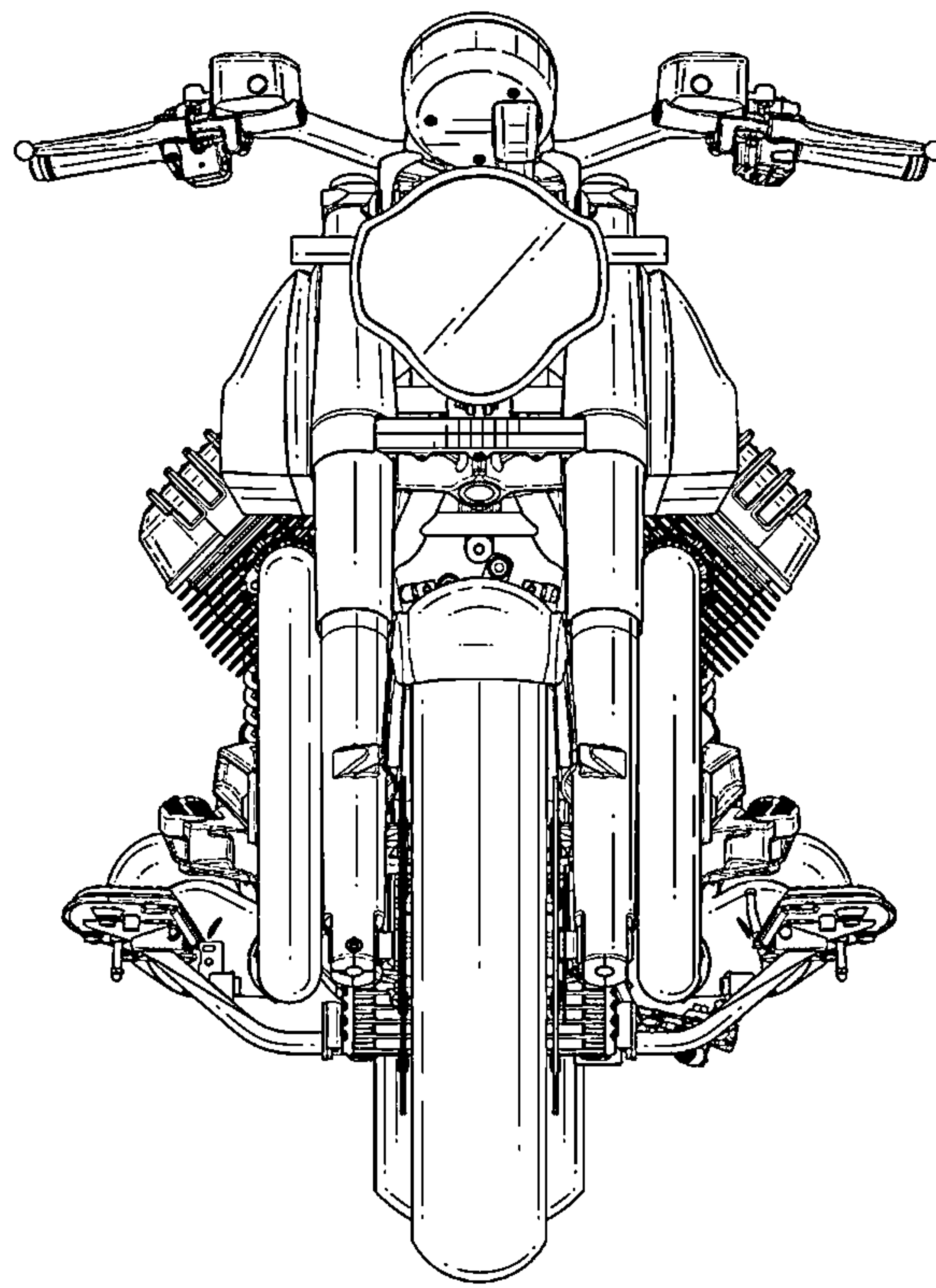


FIG.2

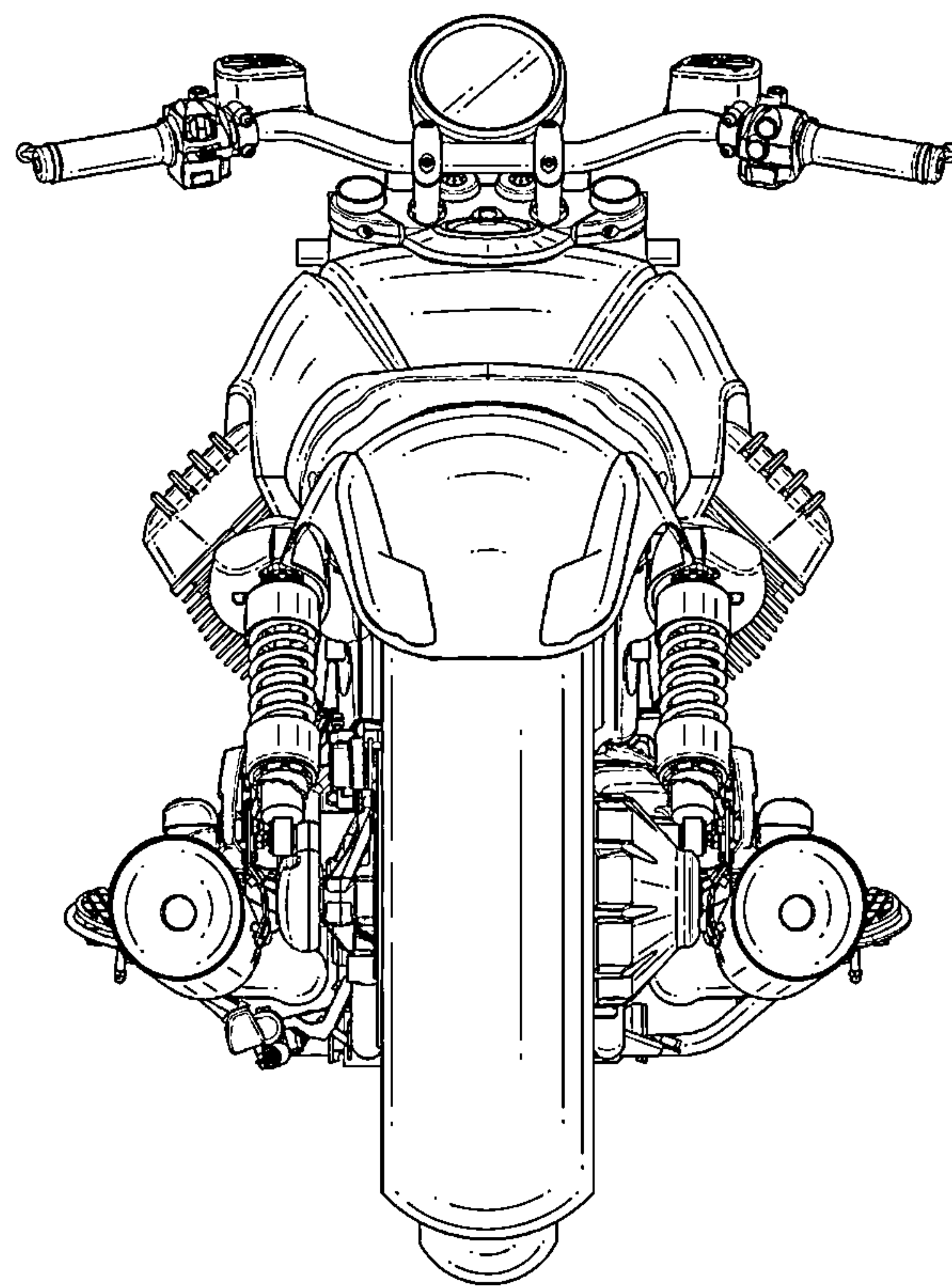


FIG.3

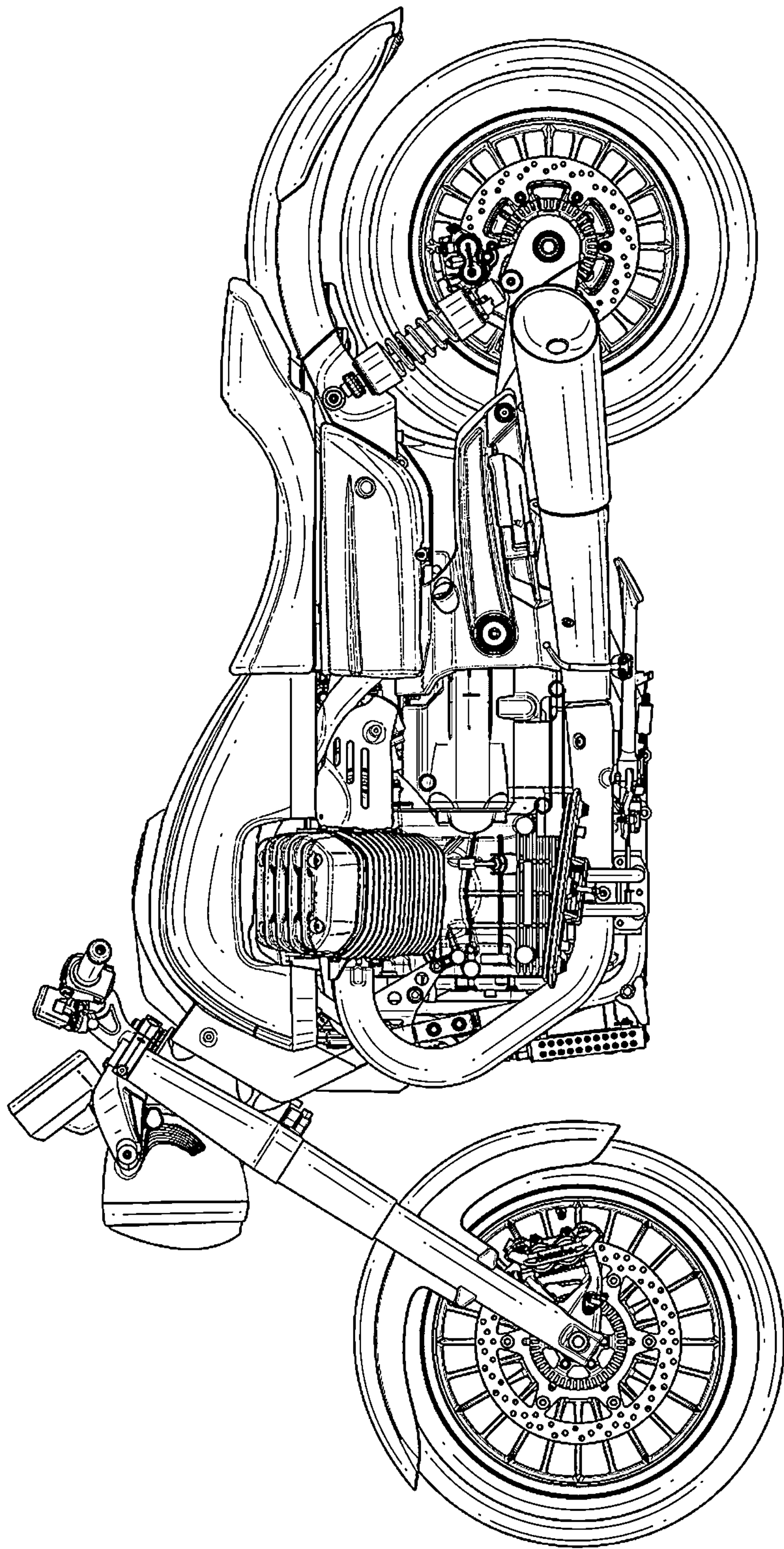


FIG. 4

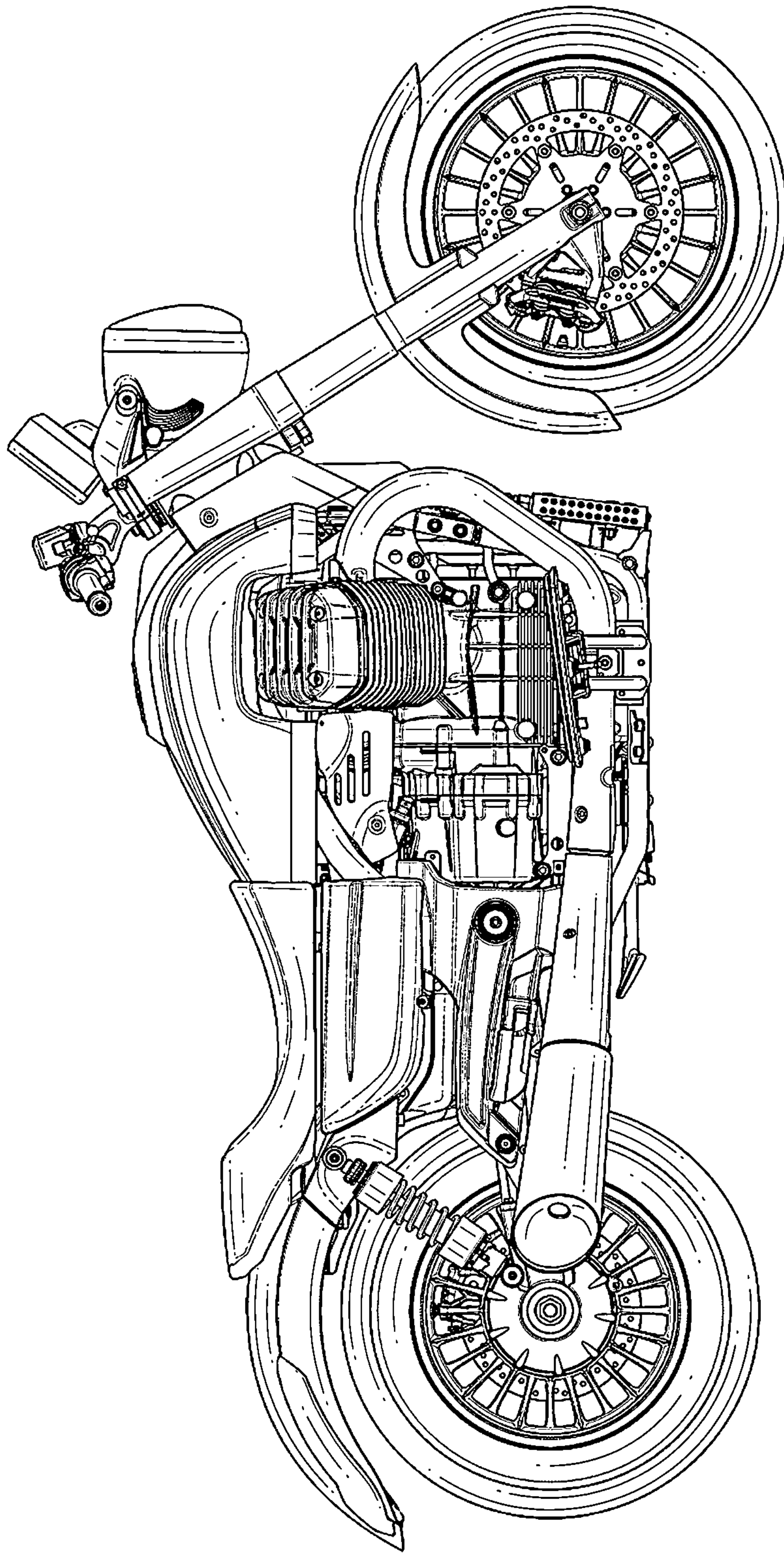


FIG. 5

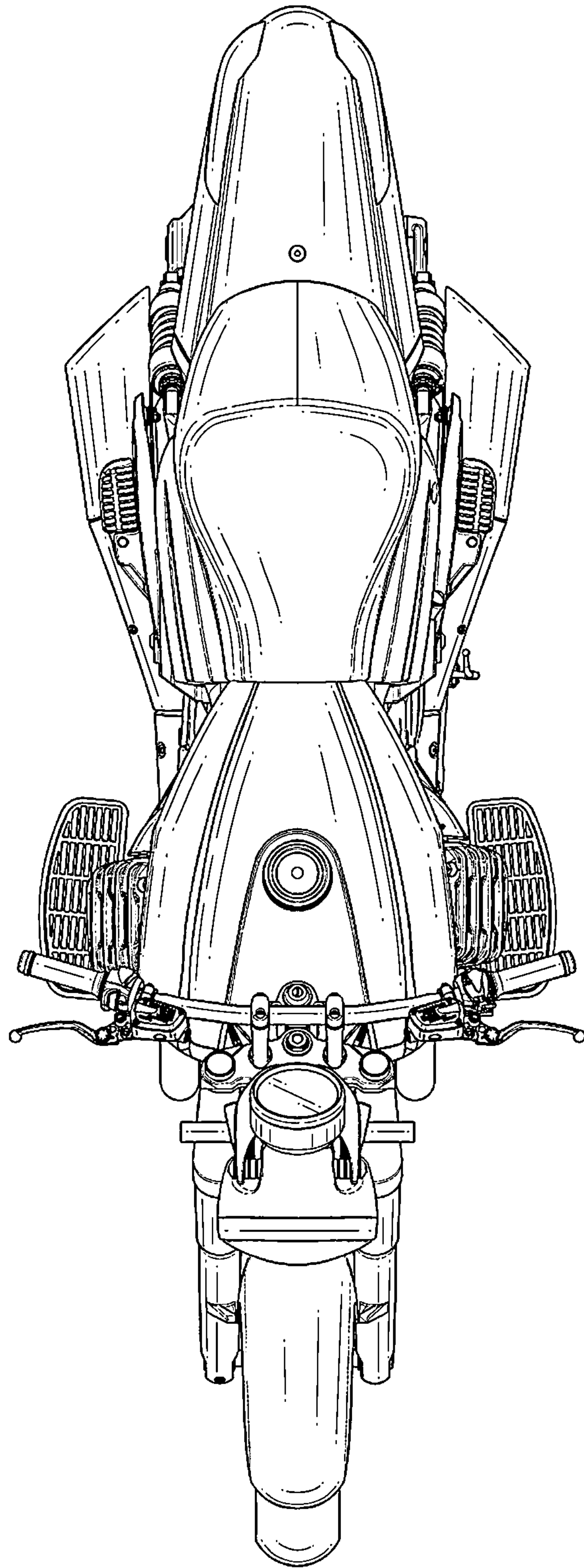


FIG. 6

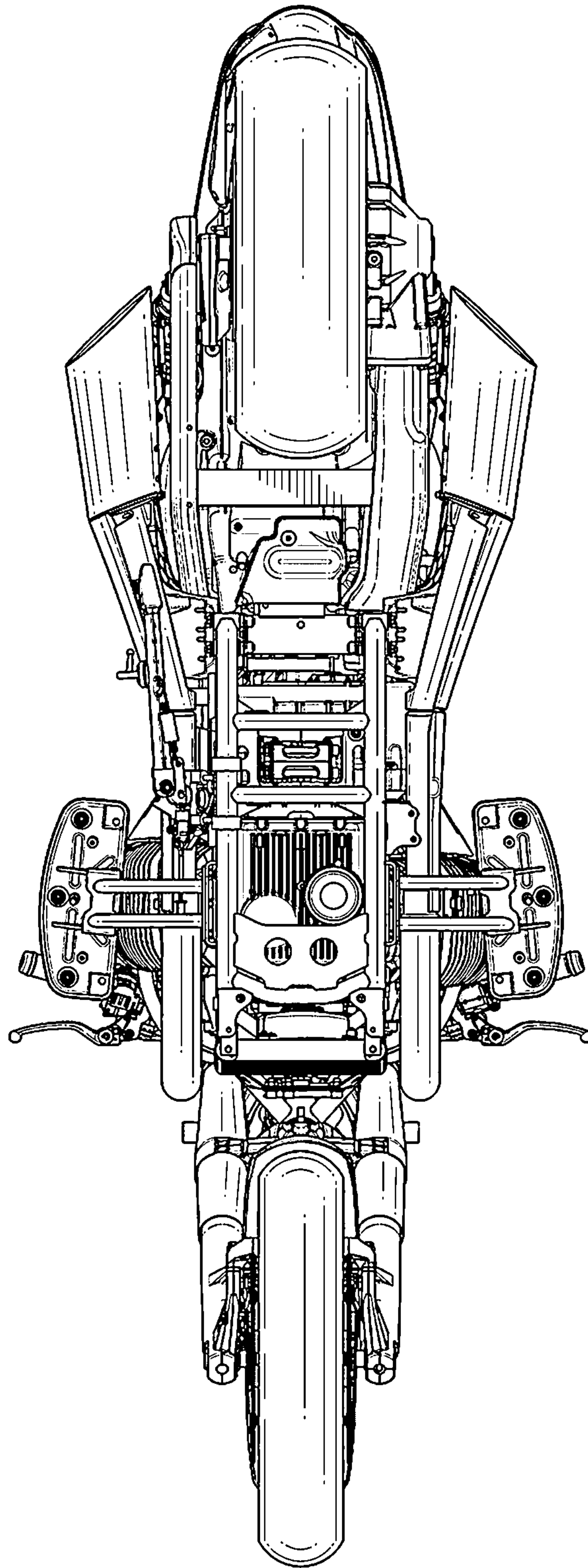


FIG. 7