



US00D694149S

(12) **United States Design Patent**
Hughes et al.

(10) **Patent No.:** **US D694,149 S**

(45) **Date of Patent:** **** Nov. 26, 2013**

(54) **DISPLAY DEVICE**

(75) Inventors: **Adrienne Hughes**, New Paltz, NY (US);
Jeffrey Magsitza, Pomona, NY (US)

(73) Assignee: **Adrienne Hughes**, New Paltz, NY (US)

(**) Term: **14 Years**

(21) Appl. No.: **29/397,995**

(22) Filed: **Jul. 25, 2011**

(51) **LOC (9) Cl.** **11-02**

(52) **U.S. Cl.**
USPC **D11/131**

(58) **Field of Classification Search**
USPC D11/131, 157, 158, 160, 163, 164;
D3/211; 40/410, 406, 409, 426;
239/211, 192, 289; 446/475
See application file for complete search history.

2004/0045198	A1 *	3/2004	Liu	40/410
2005/0039358	A1 *	2/2005	Rust	40/410
2006/0128258	A1 *	6/2006	Zebert et al.	446/166
2006/0213096	A1 *	9/2006	Murrell	40/406
2006/0283060	A1 *	12/2006	Moomaw	40/410

OTHER PUBLICATIONS

How to Make a Picture Snowglobe, Erin E. Clyburn, eHow.co.uk, downloaded Jan. 28, 2011, available at http://www.ehow.co.uk/print/how_6911822_make-picture-snowglobe.html (2 pages).

Photo Snow Globe for 2x3 Inch Photos, Amazon.com, downloaded Jan. 28, 2011, available at <http://www.amazon.com/Photo-Snow-Globe-Inch-Photos/dp/B000EJ1950> (6 pages).

This Snow Globe Has a Dry Center Slot For Photos Or Other Decorations (Lot/3), Amazon.com, downloaded Jan. 28, 2011 (5 pages).

* cited by examiner

Primary Examiner — T. Chase Nelson

Assistant Examiner — Michelle E Wilson

(74) *Attorney, Agent, or Firm* — Gordon & Jacobson, PC

(56) **References Cited**

U.S. PATENT DOCUMENTS

3,842,531	A *	10/1974	Sloan	446/267
6,036,571	A *	3/2000	Chang	446/153
6,042,022	A *	3/2000	Rogozinski et al.	239/211
D430,394	S	9/2000	Rothschild	
6,386,941	B1 *	5/2002	Lin	446/267
6,415,535	B1 *	7/2002	White et al.	40/410
6,591,525	B1 *	7/2003	Liu	40/410
7,065,908	B1 *	6/2006	Pineda-Sanchez et al.	40/406
D565,458	S	4/2008	Jordan	
D654,176	S *	2/2012	Griffith et al.	D24/186
D654,177	S *	2/2012	Griffith et al.	D24/186
D677,172	S *	3/2013	D'Hollander	D9/715
D677,173	S *	3/2013	D'Hollander	D9/715
D677,174	S *	3/2013	D'Hollander	D9/715
2002/0095831	A1 *	7/2002	Tsai	40/410
2003/0140533	A1 *	7/2003	Liang	40/409
2003/0140534	A1 *	7/2003	Lo	40/410
2003/0172562	A1 *	9/2003	Liao	40/426
2003/0196357	A1 *	10/2003	Knapp et al.	40/410

(57) **CLAIM**

The ornamental design for a display device, as shown and described.

DESCRIPTION

FIG. 1 is a front perspective of the display device showing the design;

FIG. 2 is a left side elevational view thereof;

FIG. 3 is a right side elevational view thereof;

FIG. 4 is a front side elevational view thereof;

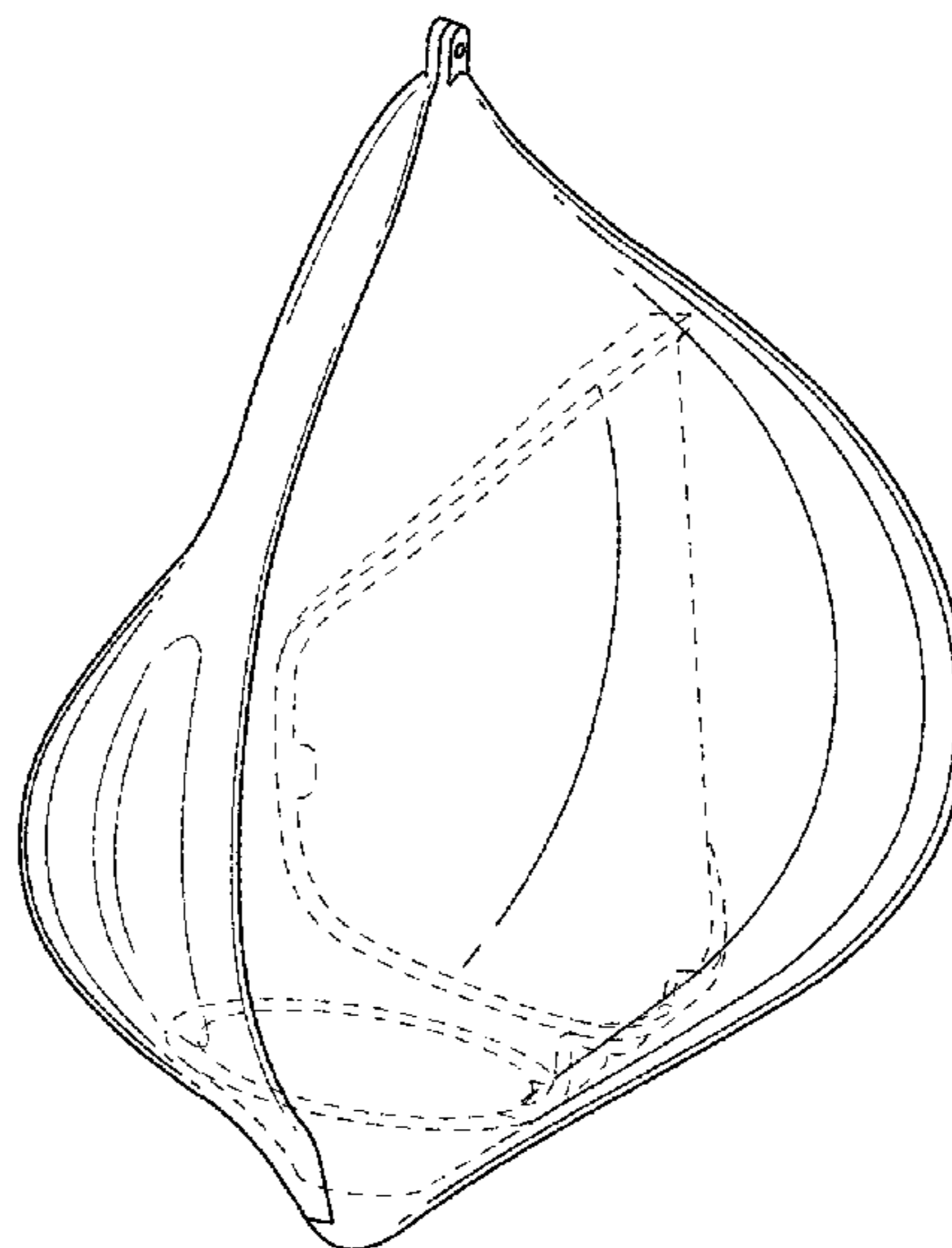
FIG. 5 is a back side elevational view thereof;

FIG. 6 is a bottom plan view thereof; and,

FIG. 7 is a top plan view thereof.

The broken lines are for illustrative purposes and form no part of the claimed design.

1 Claim, 3 Drawing Sheets



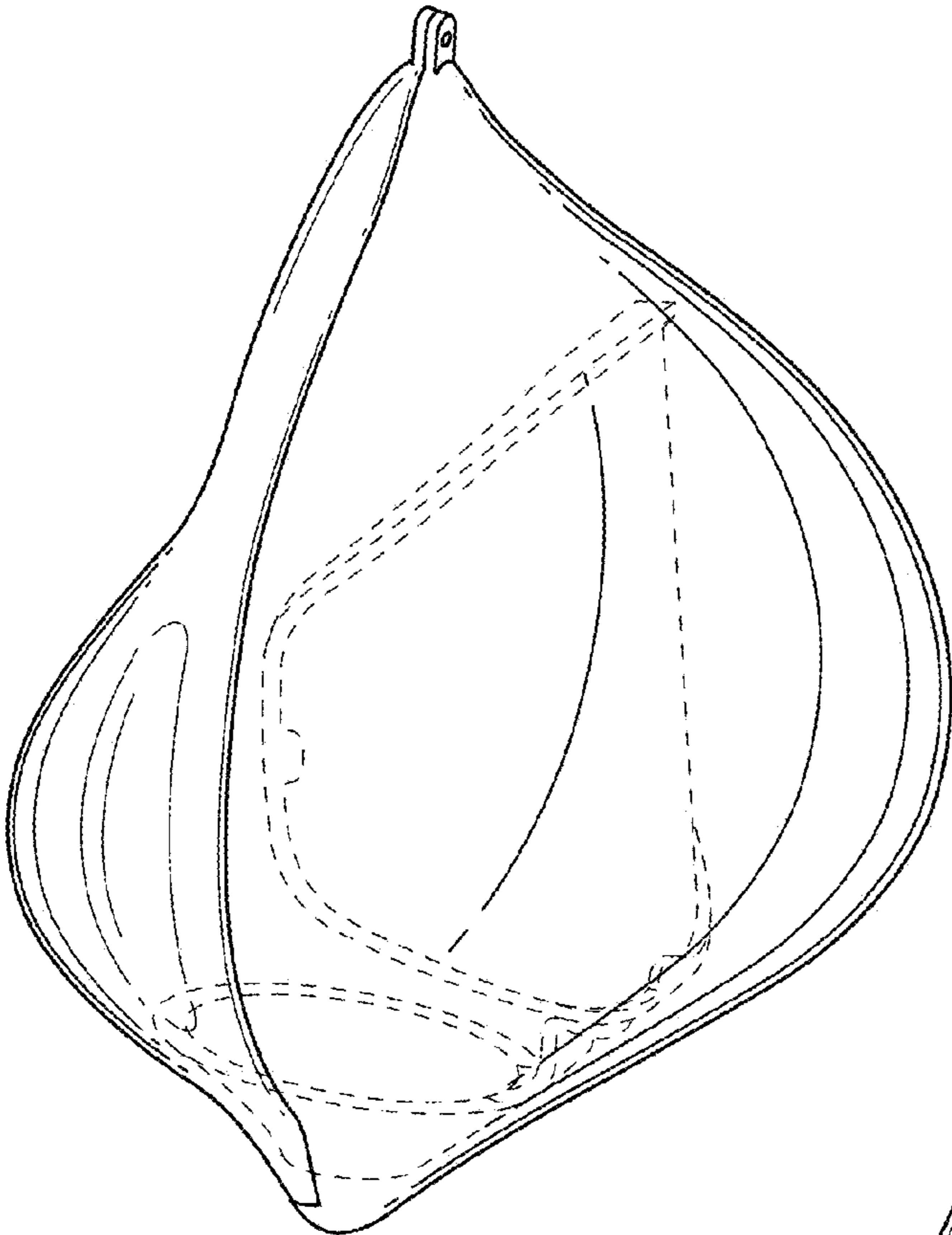


Fig. 1

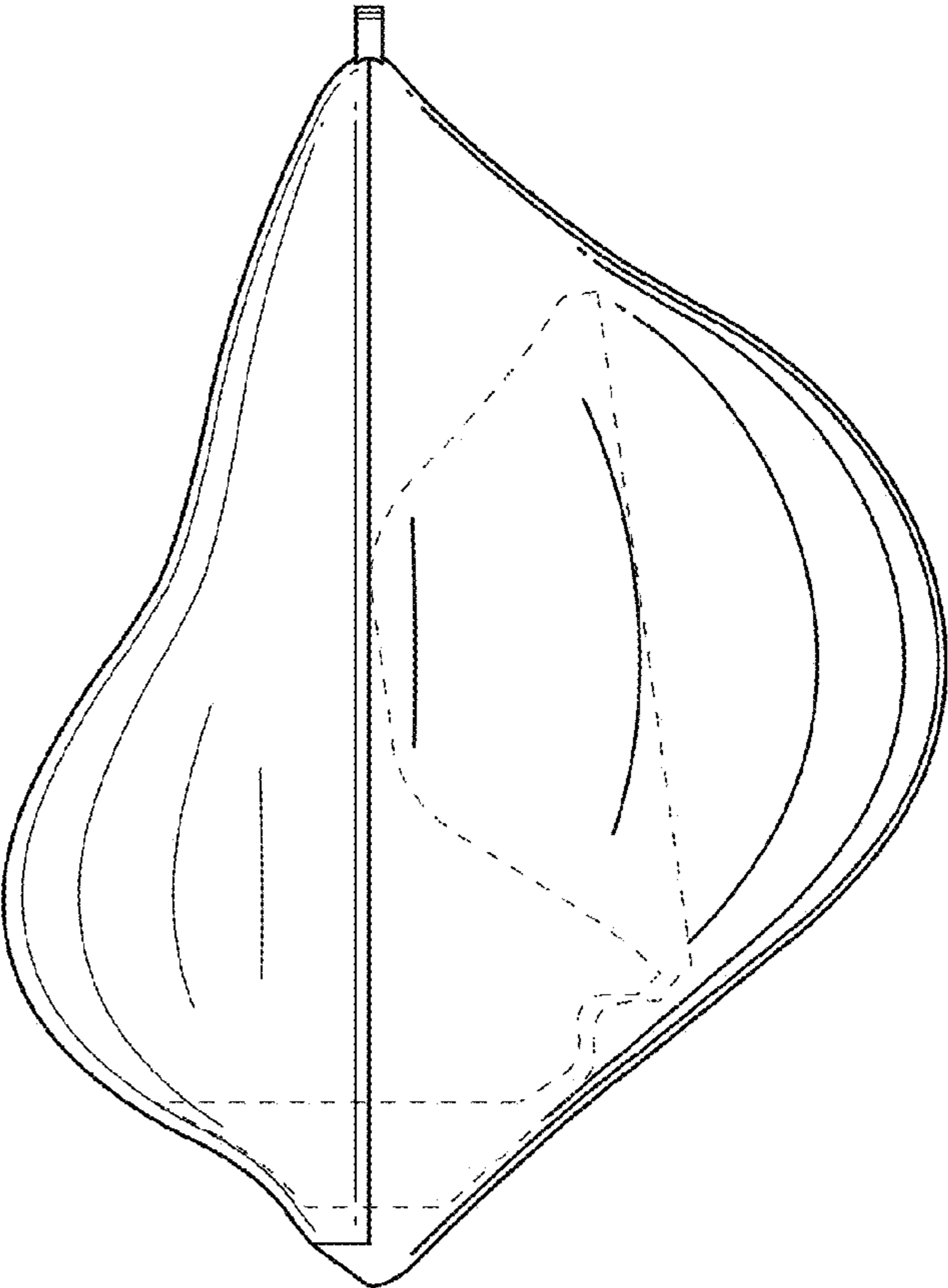


Fig. 2

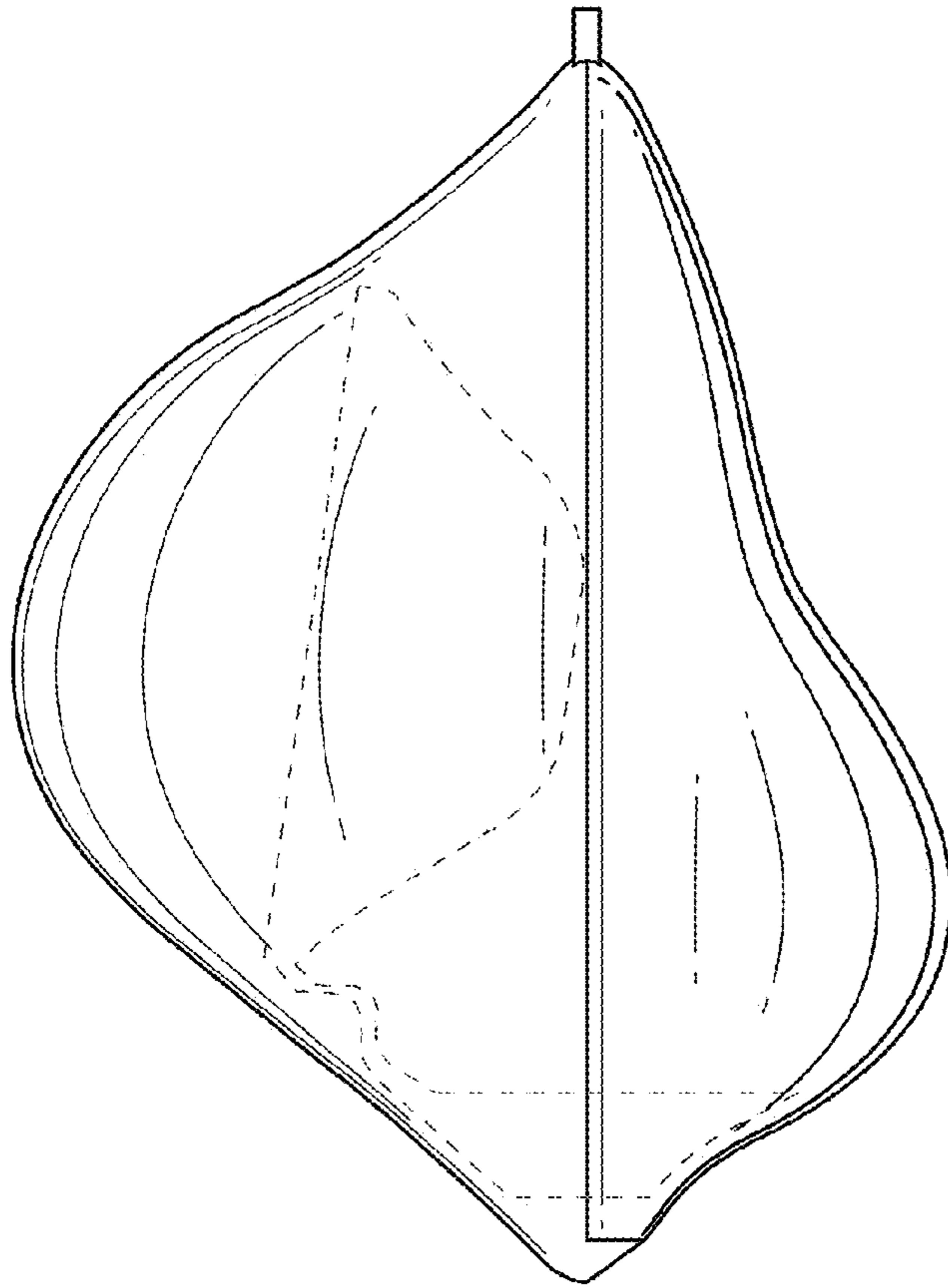
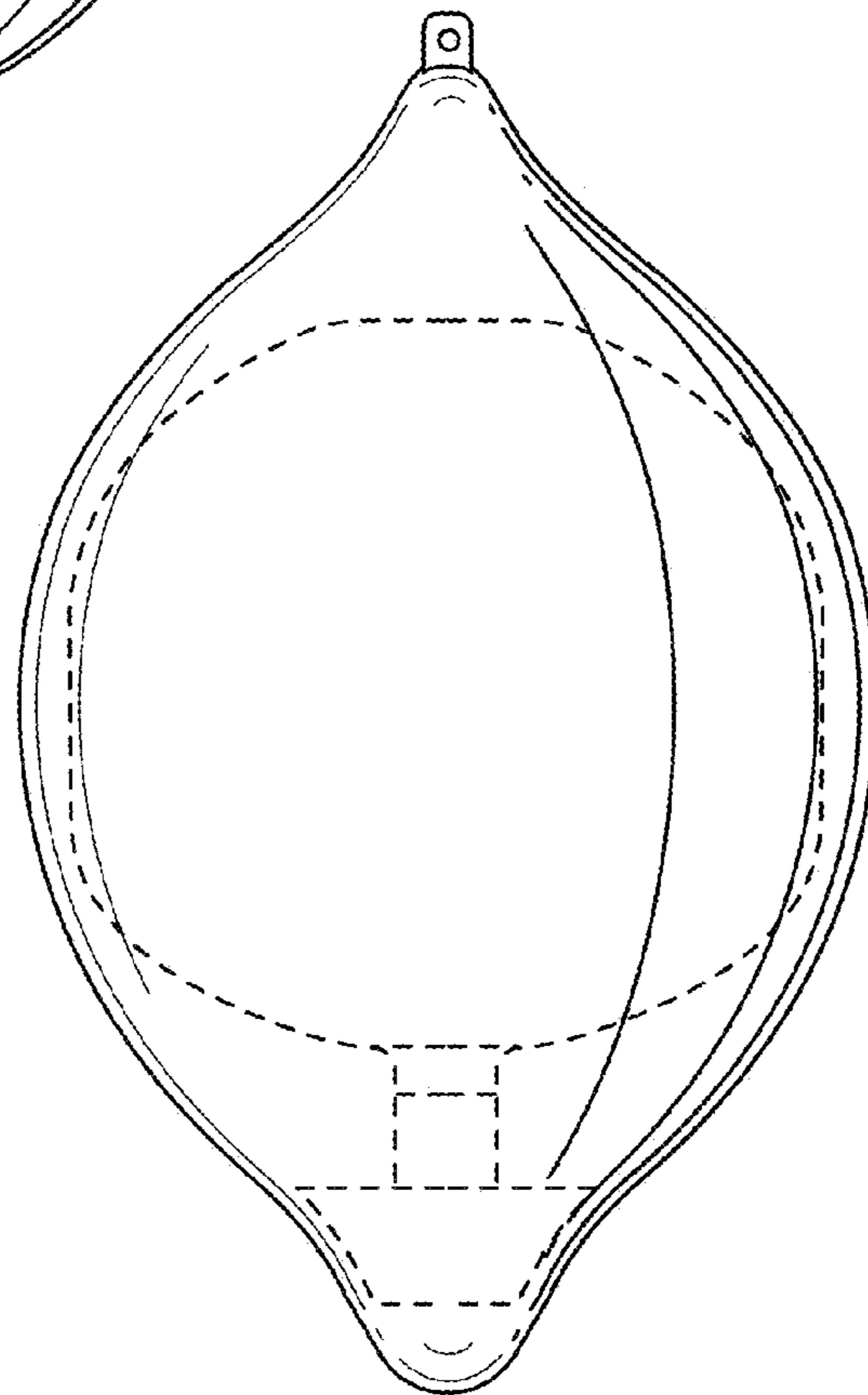


Fig. 3

Fig. 4



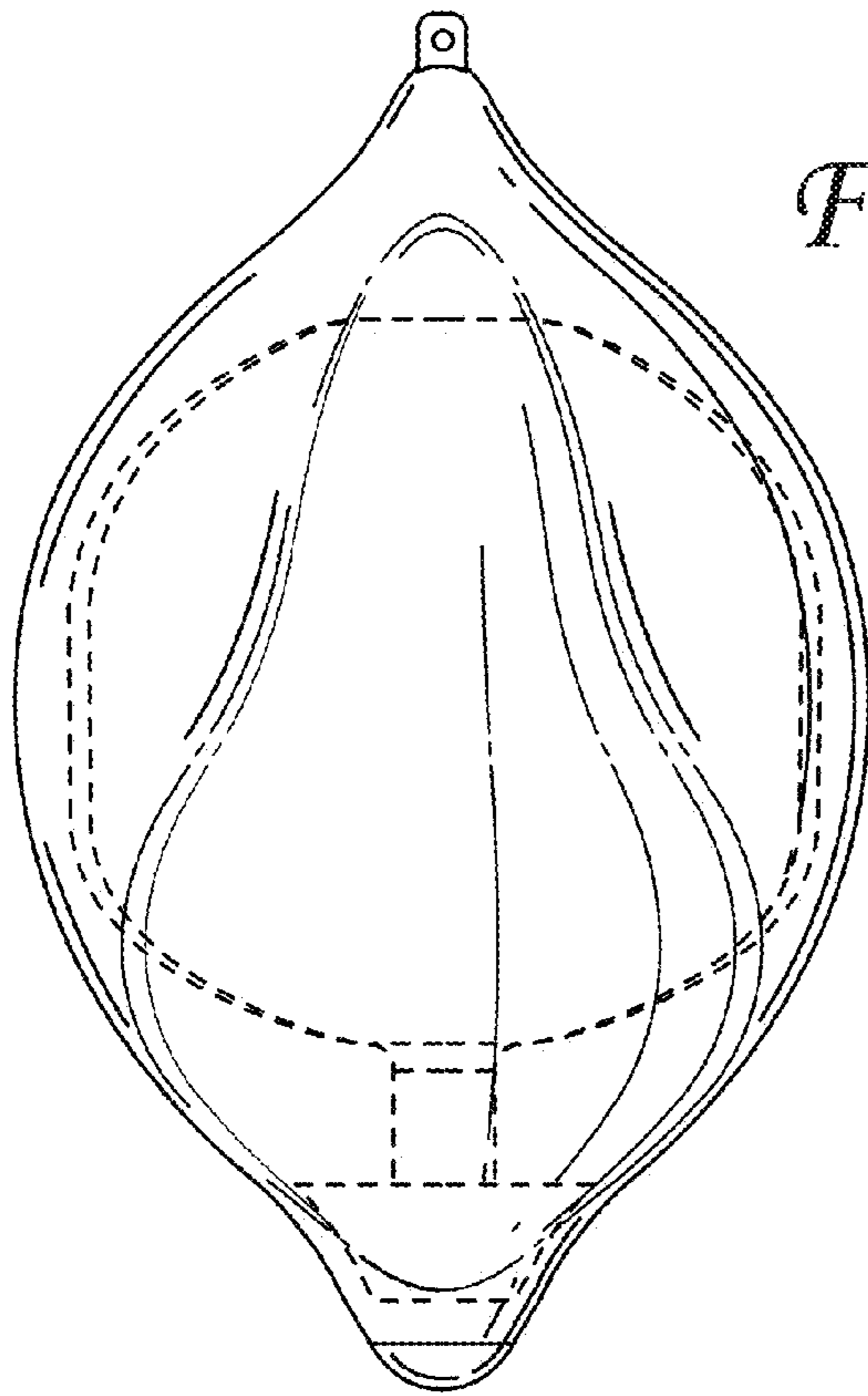


Fig. 5

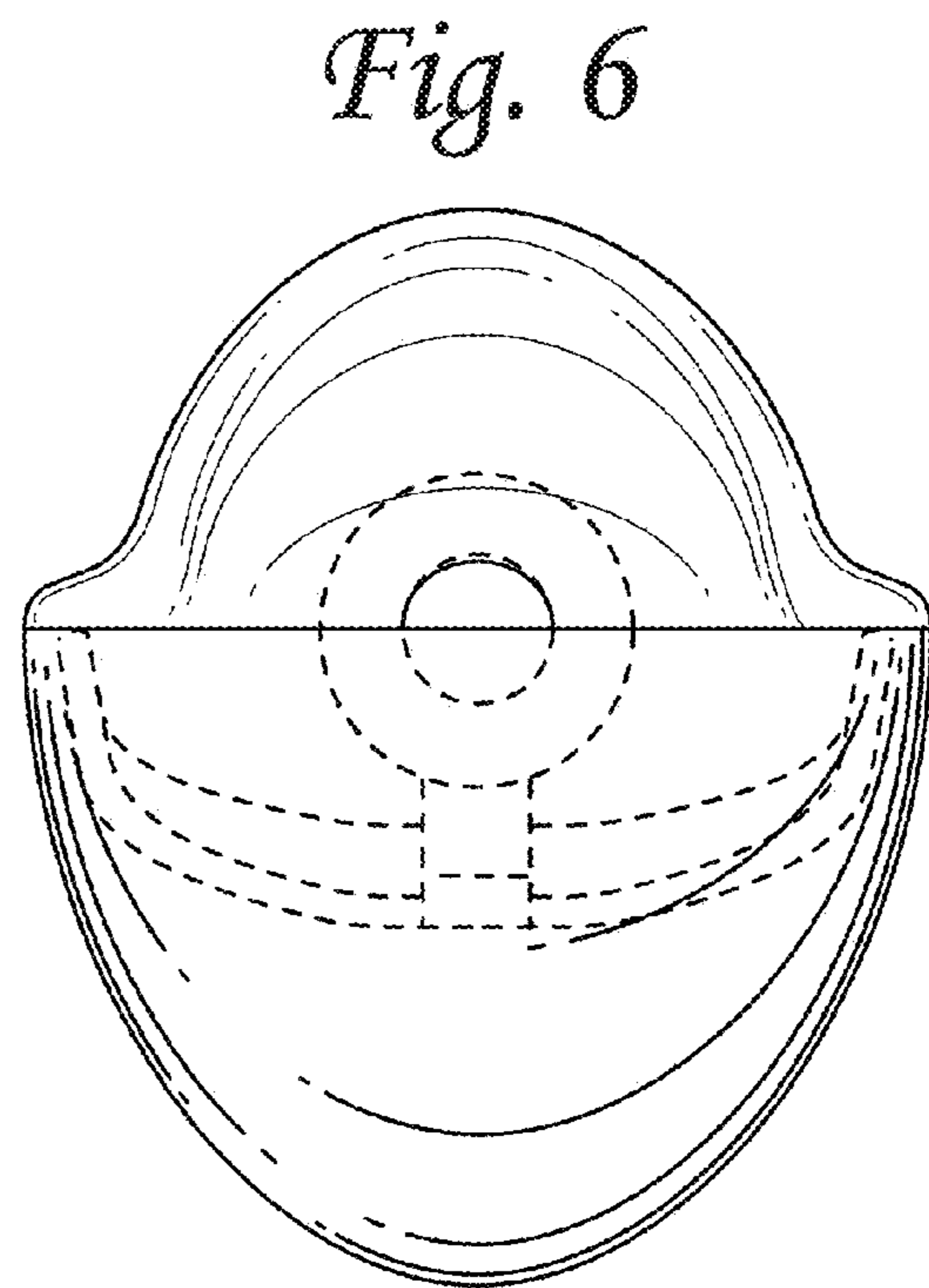


Fig. 6

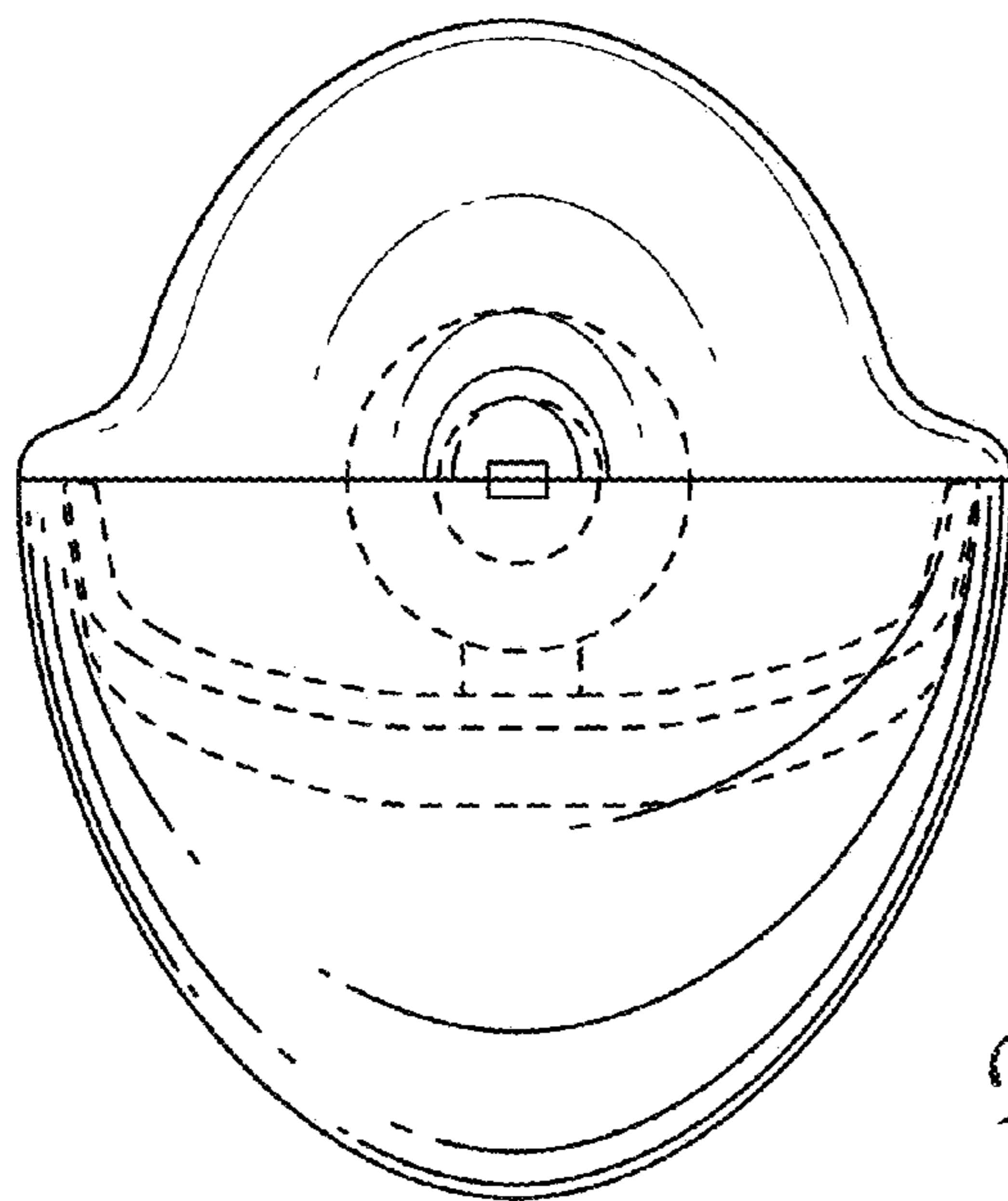


Fig. 7