



US00D694146S

(12) **United States Design Patent**
Beeson

(10) **Patent No.:** **US D694,146 S**

(45) **Date of Patent:** **** Nov. 26, 2013**

(54) **EARRING SECURER**

(76) Inventor: **Elizabeth Beeson**, Ocean Springs, MS
(US)

(**) Term: **14 Years**

(21) Appl. No.: **29/396,450**

(22) Filed: **Jun. 30, 2011**

(51) **LOC (9) Cl.** **11-01**

(52) **U.S. Cl.**
USPC **D11/88**

(58) **Field of Classification Search**

USPC D11/1-2, 40-88, 200-201, 203-206,
D11/210, 212, 214-219, 22, 224, 226; 63/3,
63/3.118-20; 24/163 R, 169-171, 173,
24/177-179, 191, 194-195, 197, 200
See application file for complete search history.

(56) **References Cited**

U.S. PATENT DOCUMENTS

4,134,183 A * 1/1979 Fischer 24/132 AA
4,774,817 A * 10/1988 Beam et al. 63/12
4,907,425 A * 3/1990 Elkin 63/12

4,920,671 A * 5/1990 Zatkos 40/301
5,769,101 A * 6/1998 Iwata 132/273
8,052,017 B2 * 11/2011 Ivison 223/109 R

* cited by examiner

Primary Examiner — Zenia Bennett

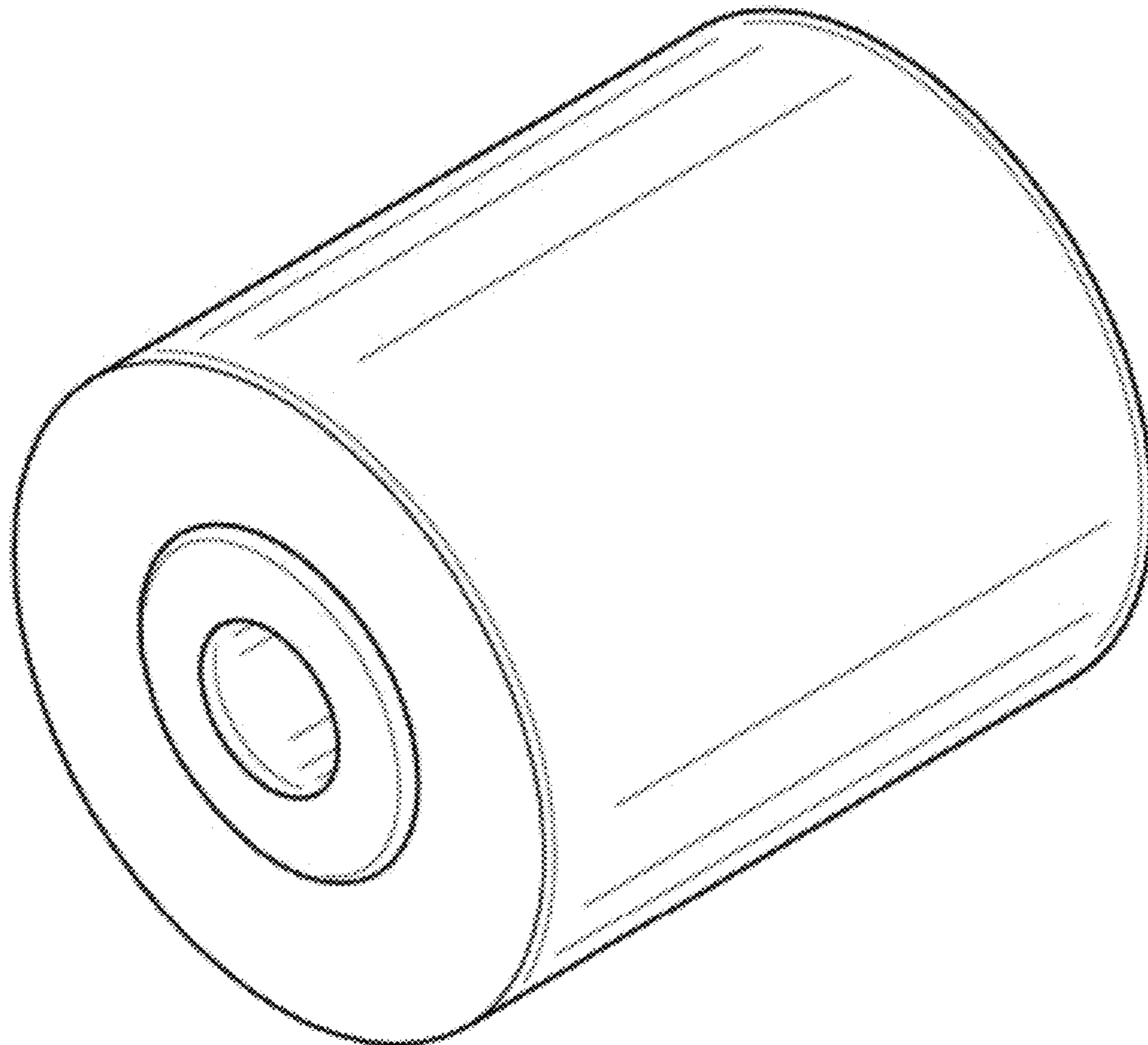
(57) **CLAIM**

I claim the ornamental design for the earring securer, as shown and described.

DESCRIPTION

FIG. 1 is an isometric view of the earring securer.
FIG. 2 is a front view of the claimed design.
FIG. 3 is a side view of the claimed design.
FIG. 4 is a side view of the claimed design in use with a stud of an earring and of which balances the weight thereon; and, FIG. 5 is a side view of the claimed design in use with a second stud of an earring and of which balances the weight thereon.
FIGS. 4 and 5 each include broken lines depicting the earring and ear lobe, which are environmental matter forming no part of the claimed design.

1 Claim, 2 Drawing Sheets



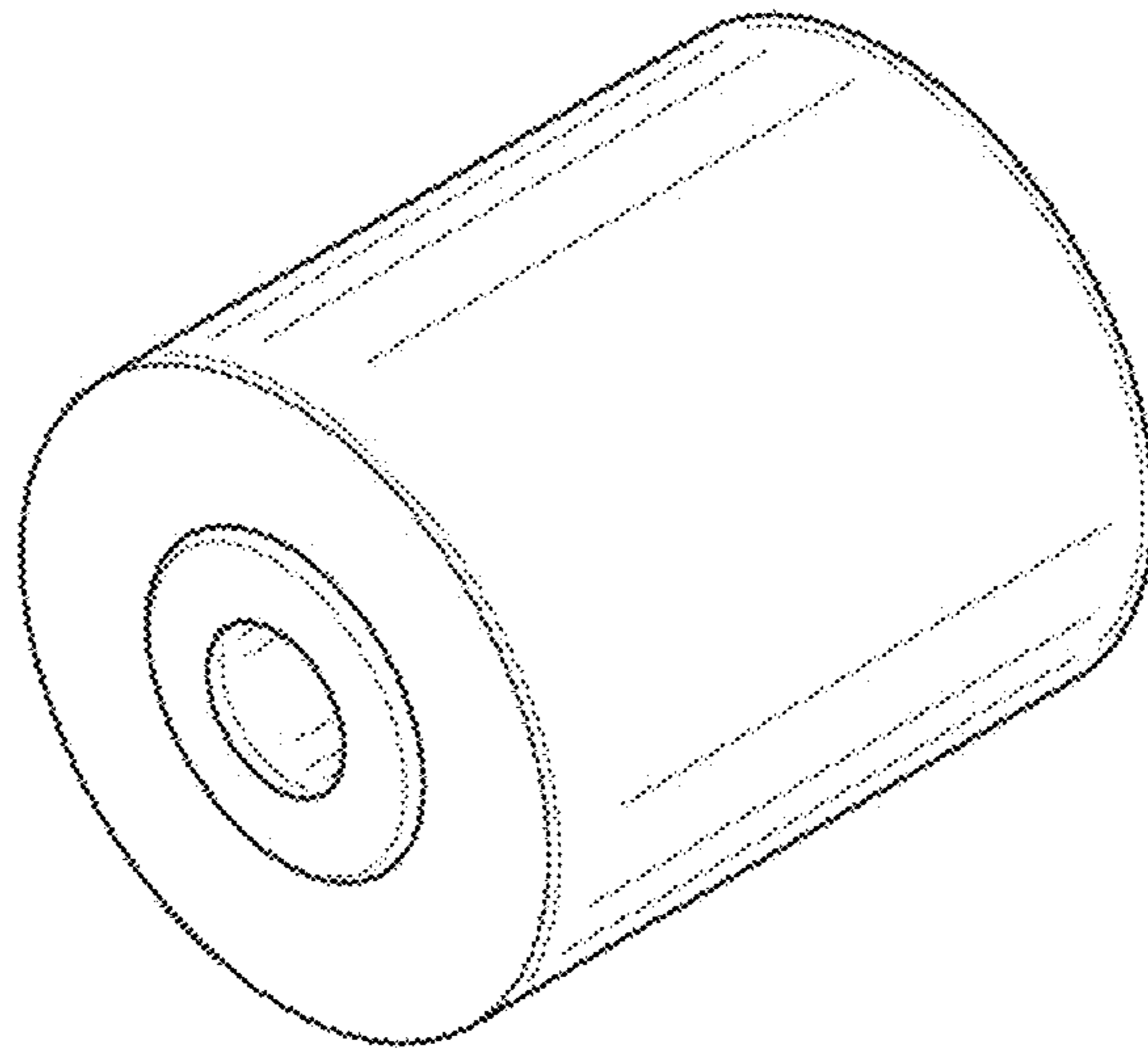


FIG. 1

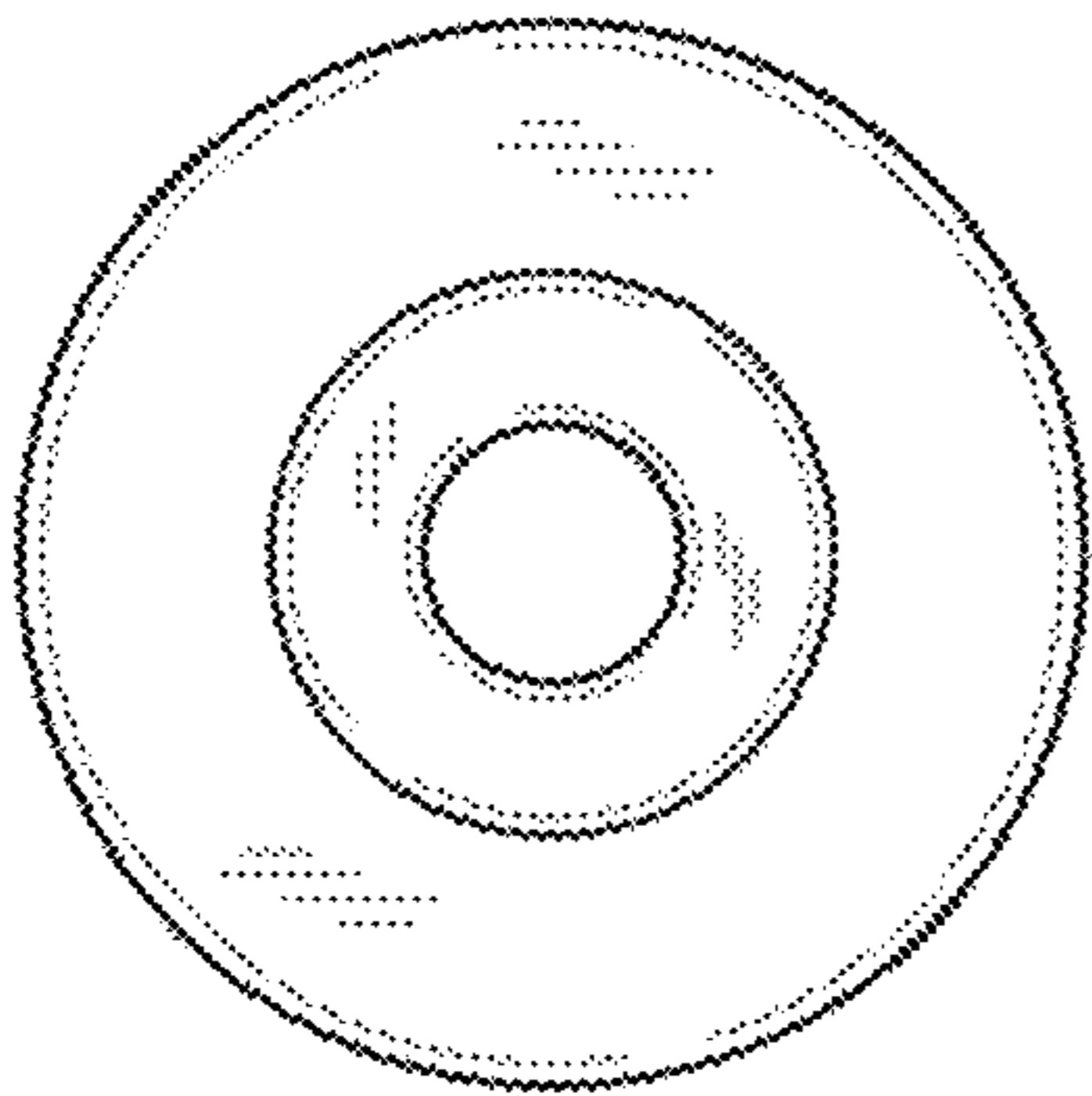


FIG. 2

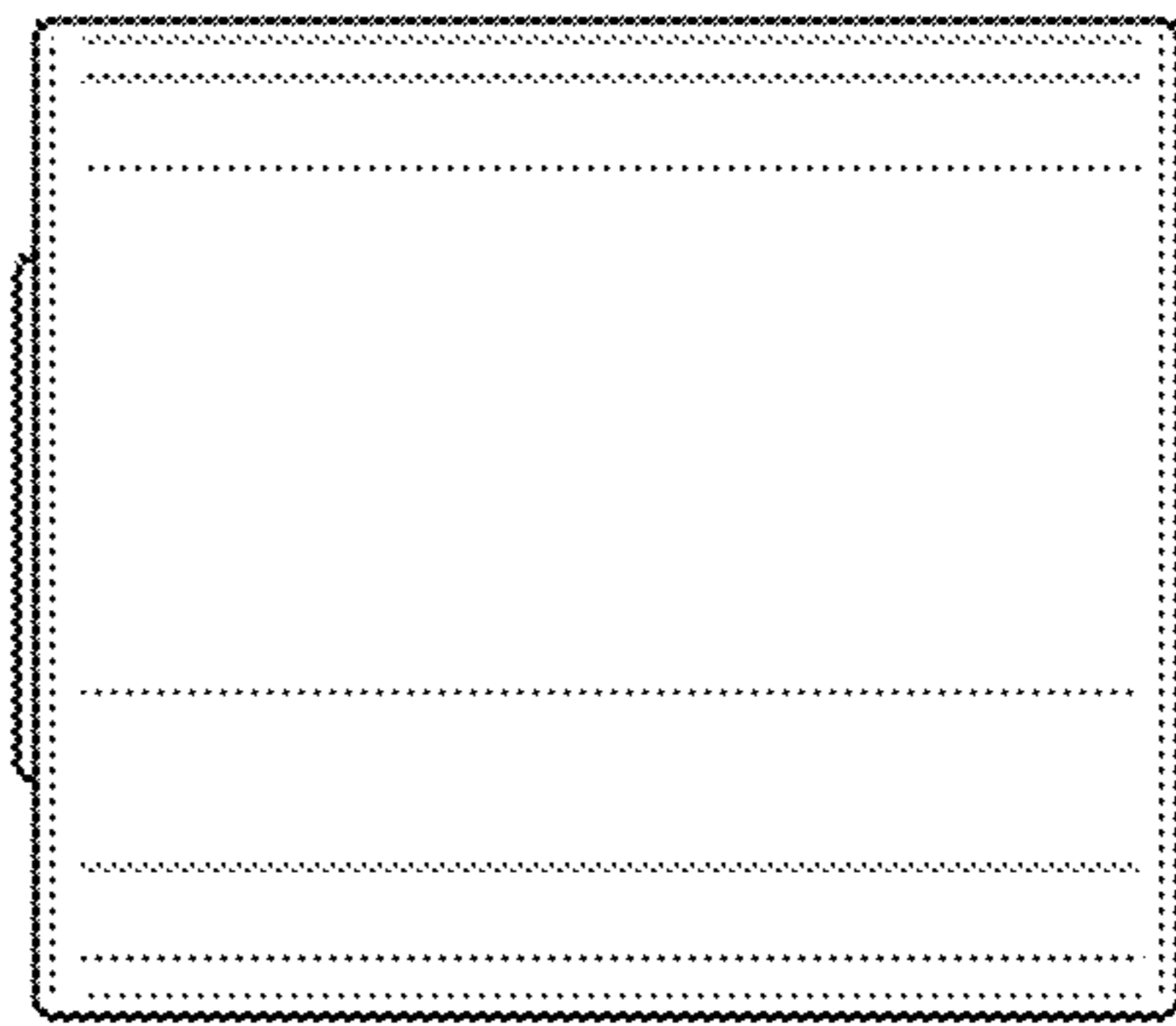


FIG. 3

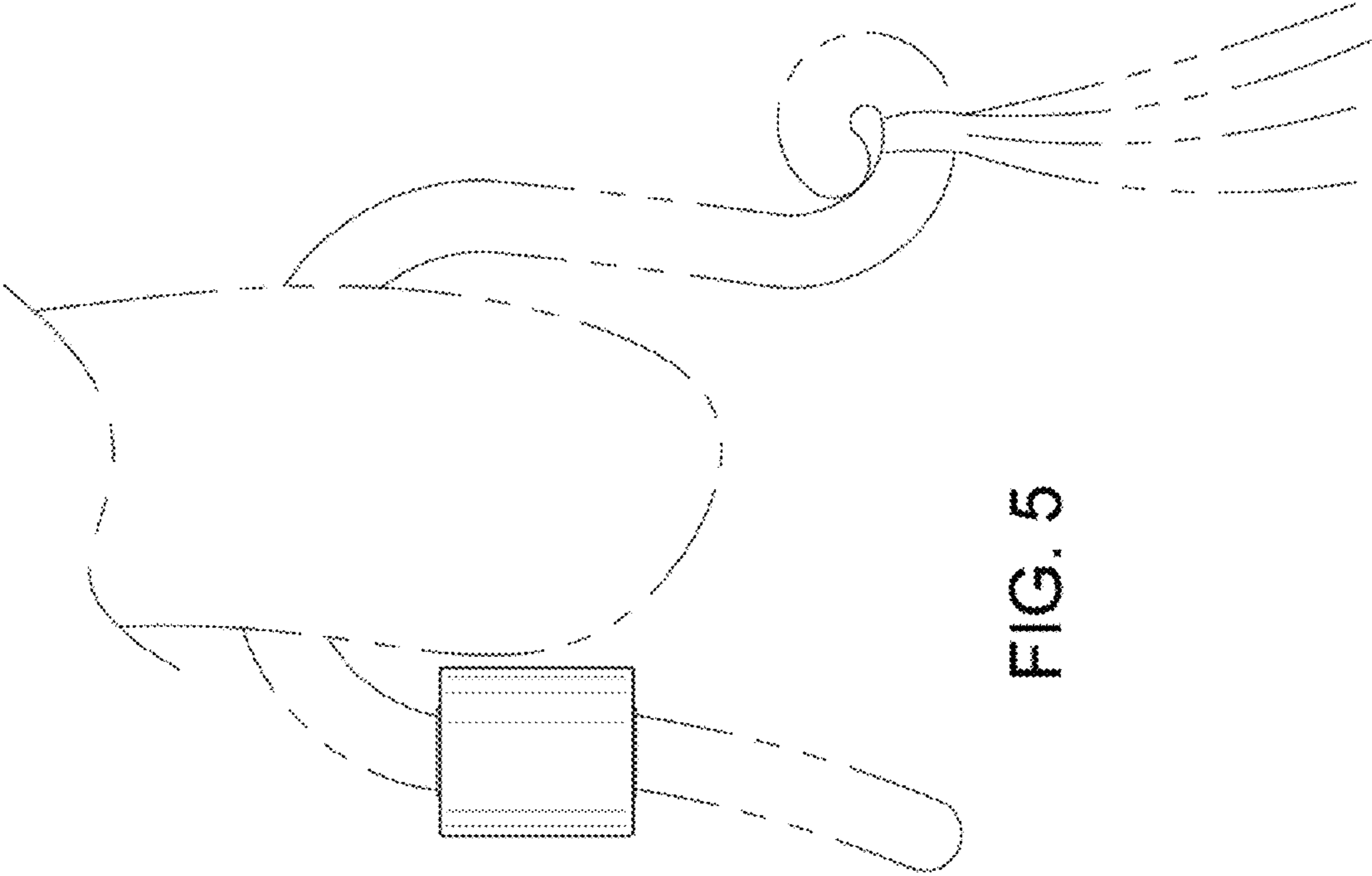


FIG. 5

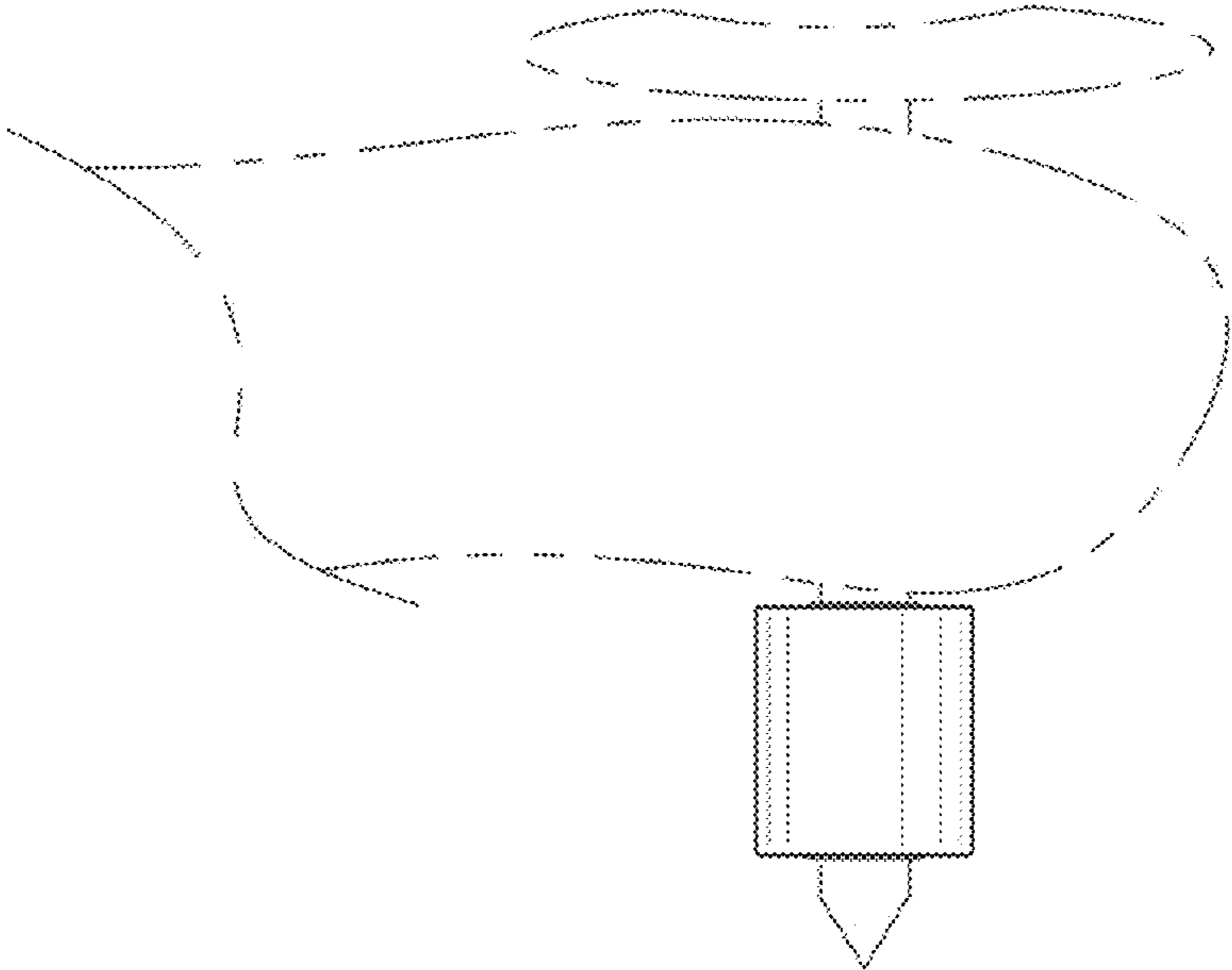


FIG. 4