



US00D694143S

(12) **United States Design Patent**
Green

(10) **Patent No.:** **US D694,143 S**

(45) **Date of Patent:** **** Nov. 26, 2013**

(54) **VISUAL FLIGHT REFERENCE DEVICE**

(76) Inventor: **Daniel Joseph Green**, Richmond Hill,
GA (US)

(**) Term: **14 Years**

(21) Appl. No.: **29/373,907**

(22) Filed: **Jun. 7, 2011**

(51) **LOC (9) Cl.** **10-05**

(52) **U.S. Cl.**
USPC **D10/109.1**

(58) **Field of Classification Search**
USPC D10/109.1; D21/809, 803-804;
440/101; 441/56; 482/111
See application file for complete search history.

(56) **References Cited**

U.S. PATENT DOCUMENTS

2,009,551	A *	7/1935	Huebner	441/56
5,531,657	A *	7/1996	Macedo	482/111
5,851,132	A *	12/1998	Merrill	440/101
D439,855	S *	4/2001	Caldeira	D10/109.1
2008/0057802	A1 *	3/2008	Wilkinson	440/101

* cited by examiner

Primary Examiner — George D Kirschbaum

(74) *Attorney, Agent, or Firm* — Sonya C. Harris; Invention Services

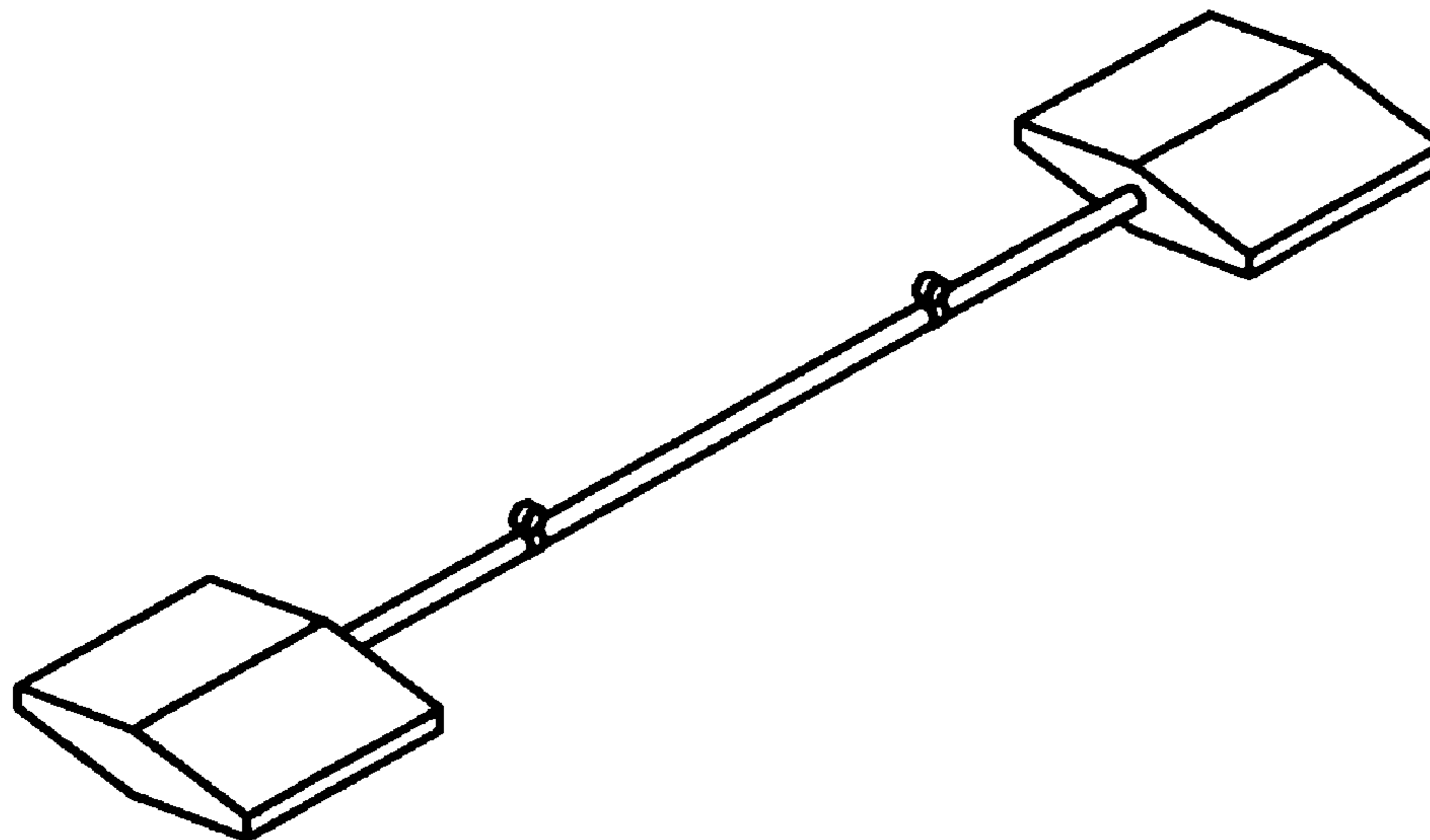
(57) **CLAIM**

The ornamental design for a visual flight reference device, as shown and described.

DESCRIPTION

FIG. 1 is a perspective view of my design;
 FIG. 2 is a side elevational view of my design, the opposite side being a mirror image thereof;
 FIG. 3 is a front end view of my design;
 FIG. 4 is a top plan view of my design, the opposite side being a mirror image thereof;
 FIG. 5 is a front elevational view of my design;
 FIG. 6 is a perspective view of an alternate embodiment of my design, the opposite side being a mirror image thereof;
 FIG. 7 is a top plan view of alternate embodiment of my design, as shown in FIG. 6, the opposite side being a mirror image thereof;
 FIG. 8 is a front end view of an alternate embodiment of my design, as shown in FIG. 6; and,
 FIG. 9 is a side elevational view of an alternate embodiment of my design, as shown in FIG. 6, the opposite side being a mirror image thereof.

1 Claim, 4 Drawing Sheets



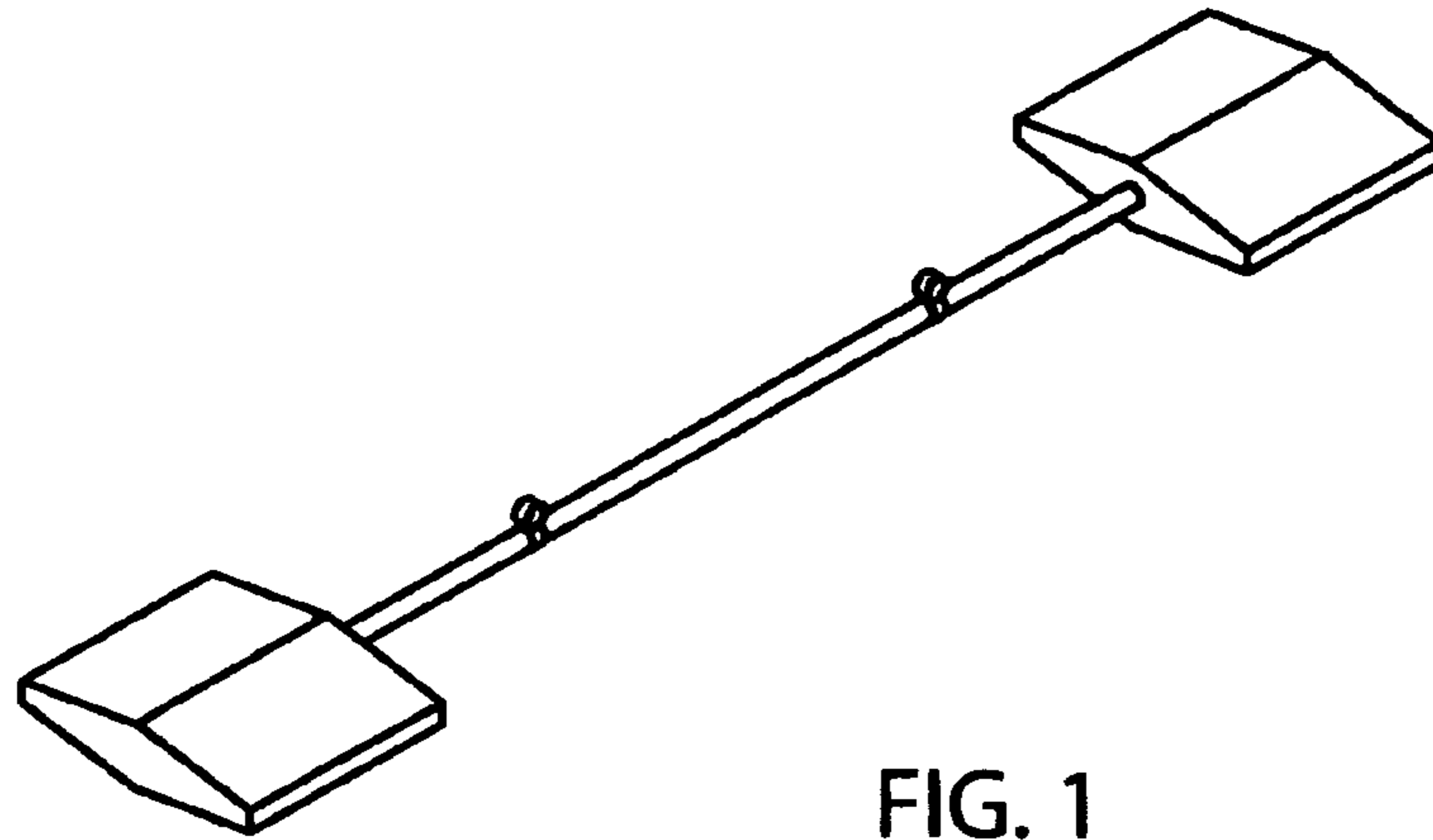


FIG. 1

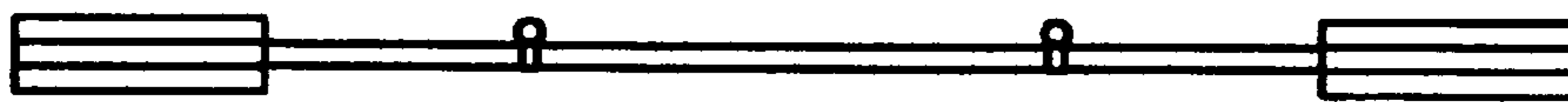


FIG. 2



FIG. 3



FIG. 4

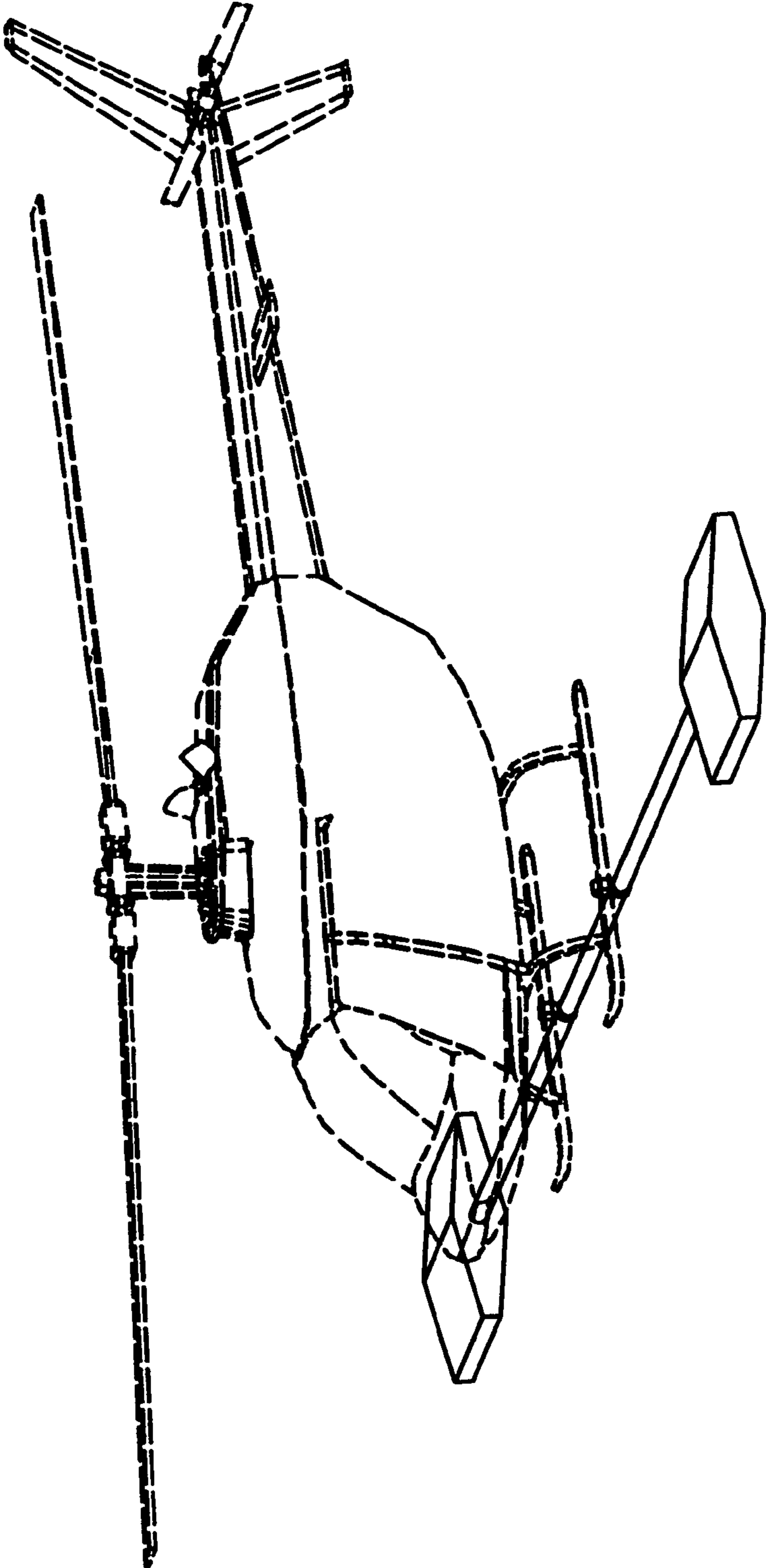


FIG. 5

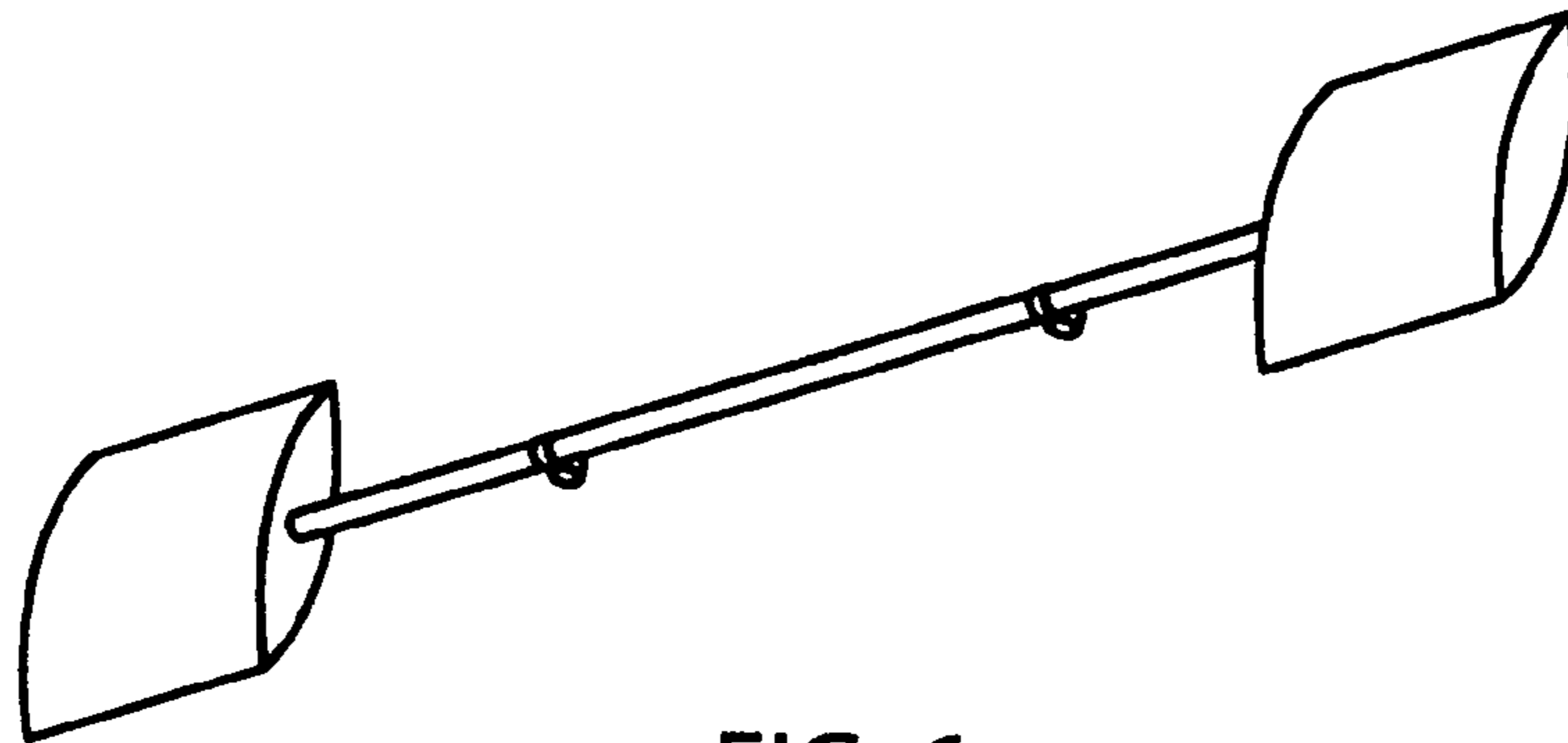


FIG. 6



FIG. 7



FIG. 8

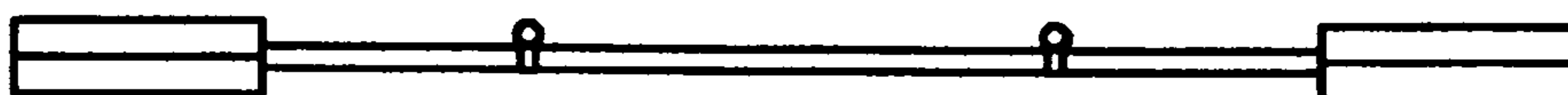


FIG. 9