



US00D694140S

(12) **United States Design Patent**  
**Betsinger**

(10) **Patent No.:** **US D694,140 S**

(45) **Date of Patent:** **\*\* Nov. 26, 2013**

(54) **HOSE AND SENSOR ASSEMBLY**  
(75) Inventor: **James Dean Betsinger**, Waterville, OH  
(US)

D519,860 S 5/2006 Bugbee  
7,361,267 B2 \* 4/2008 Delnevo ..... 210/85  
7,387,012 B2 \* 6/2008 Spaolonzi et al. .... 73/49.1  
7,509,841 B2 \* 3/2009 Spaolonzi et al. .... 73/49.1  
7,555,936 B2 7/2009 Deckard

(73) Assignee: **Eaton Corporation**, Cleveland, OH  
(US)

**OTHER PUBLICATIONS**

Eaton Corporation Brochure—Lifesense Hydraulic Hose Condition Monitoring 3 pages, Document No. E-HOOV-MR011-E, Printed in USA, March 2011.

(\*\*) Term: **14 Years**

\* cited by examiner

(21) Appl. No.: **29/419,398**

(22) Filed: **Apr. 27, 2012**

*Primary Examiner* — Antoine D Davis

(51) **LOC (9) Cl.** ..... **10-04**

(74) *Attorney, Agent, or Firm* — Jarett D. Mikkar

(52) **U.S. Cl.**  
USPC ..... **D10/96; D10/101**

(57) **CLAIM**

The ornamental design for a hose and sensor assembly, as shown and described.

(58) **Field of Classification Search**  
USPC ..... D10/96, 101; 73/40, 49.5, 49.1, 49.2,  
73/40.5 R, 763; 137/312; 138/104, 125,  
138/127; 174/11 R; 285/8, 10; 340/438,  
340/605, 604, 618.3; 702/34, 35, 185  
See application file for complete search history.

**DESCRIPTION**

FIG. 1 is a perspective view of a hose and sensor assembly showing my new design.

FIG. 2 is a top plan view of the hose and sensor assembly of FIG. 1.

FIG. 3 is a bottom plan view of the hose and sensor assembly of FIG. 1.

FIG. 4 is a left elevation view of the hose and sensor assembly of FIG. 1.

FIG. 5 is a right elevation view of the hose and sensor assembly of FIG. 1.

FIG. 6 is a back elevation view of the hose and sensor assembly of FIG. 1; and,

FIG. 7 is a front elevation view of the hose and sensor assembly of FIG. 1.

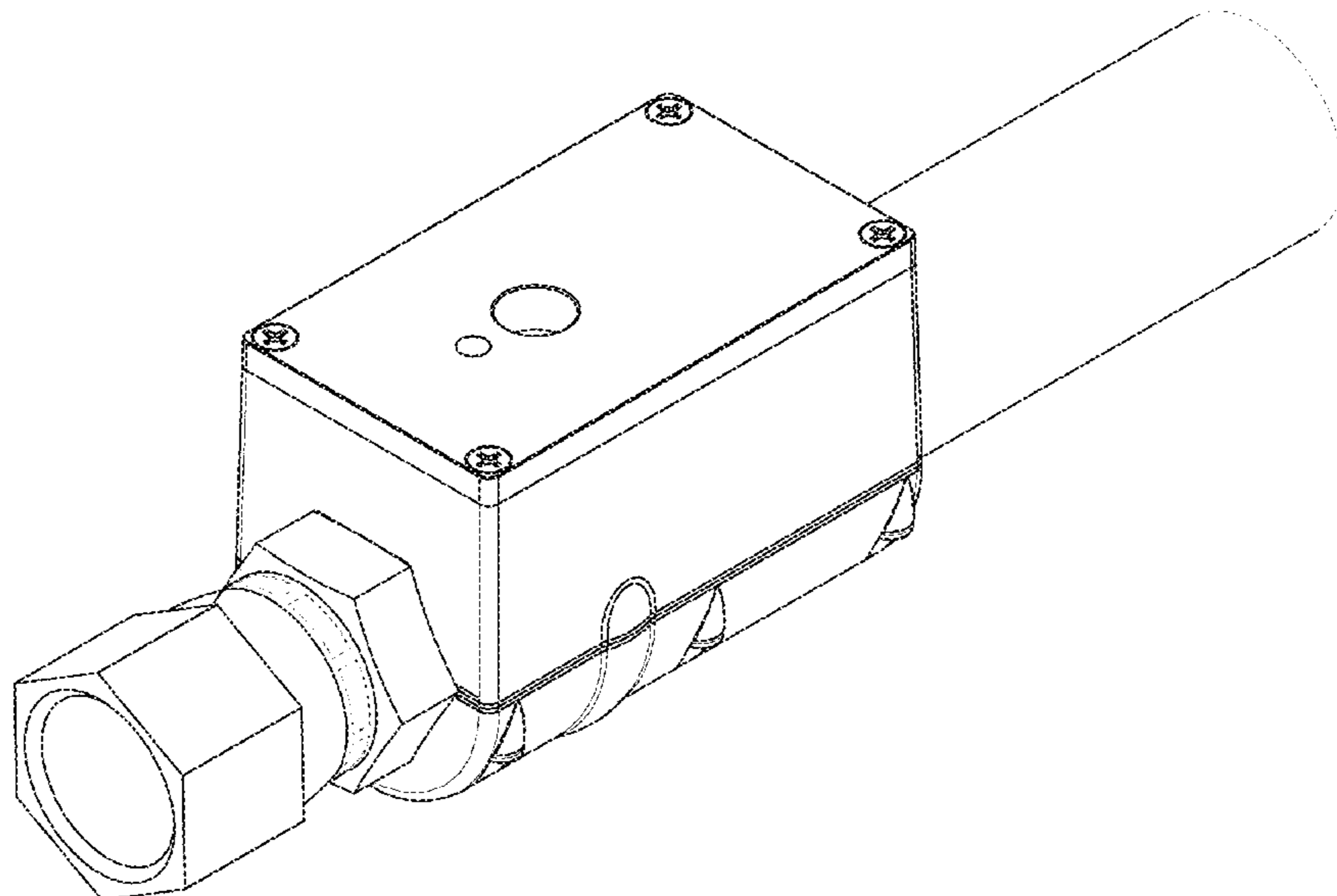
The broken lines illustrate portions of the hose and sensor assembly which form no part of the claimed design.

(56) **References Cited**

**U.S. PATENT DOCUMENTS**

3,555,887	A	1/1971	Wood	
D307,557	S	5/1990	Frahm	
4,947,556	A *	8/1990	Peil	33/370
5,634,497	A	6/1997	Neto	
5,969,618	A	10/1999	Redmond	
5,992,218	A	11/1999	Tryba	
D447,022	S *	8/2001	Wong	D7/678
6,374,863	B1 *	4/2002	Friederich	138/104
6,386,237	B1	5/2002	Chevalier et al.	
6,498,991	B1	12/2002	Phelan et al.	
D500,688	S	1/2005	Schwarz	

**1 Claim, 7 Drawing Sheets**



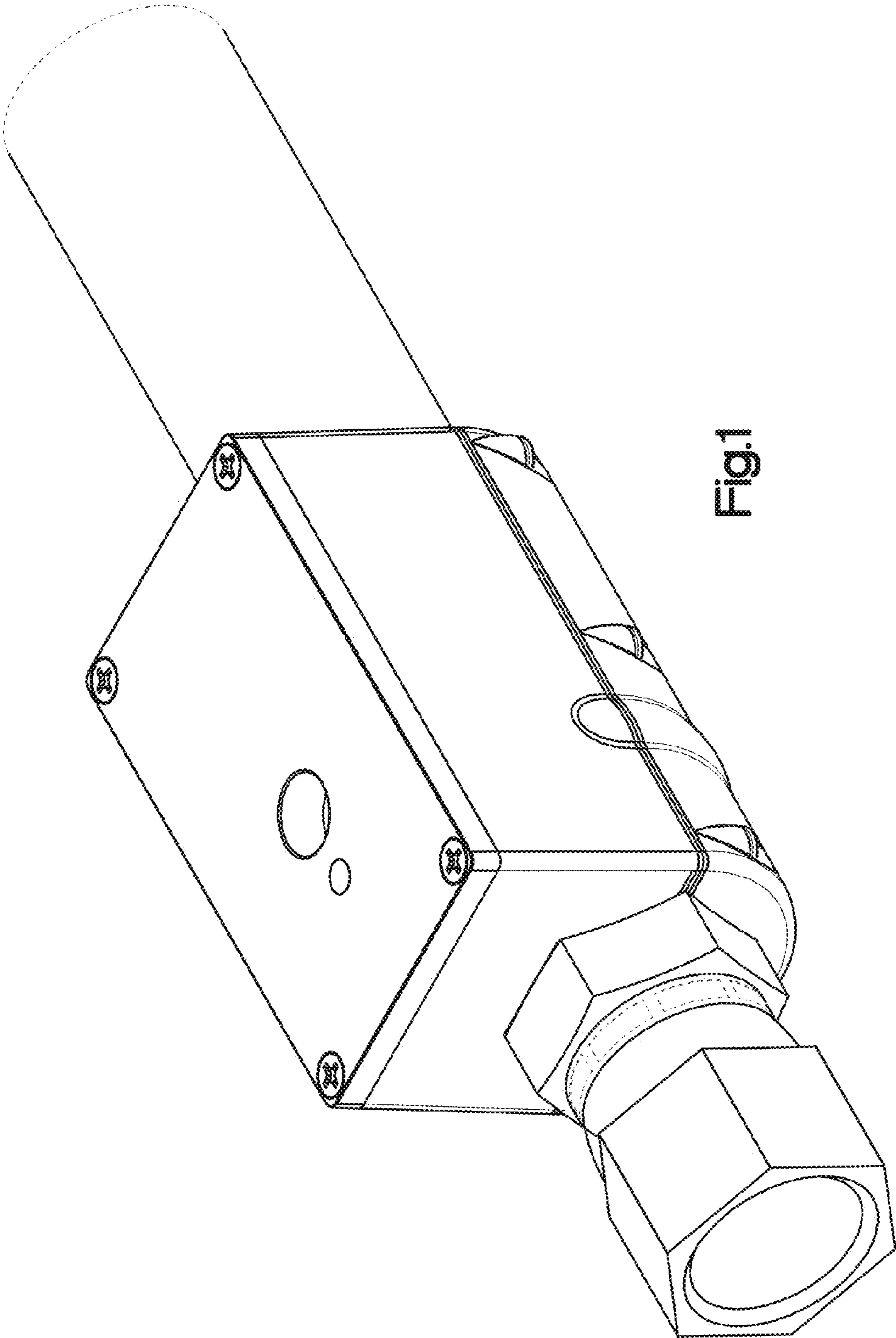


Fig. 1

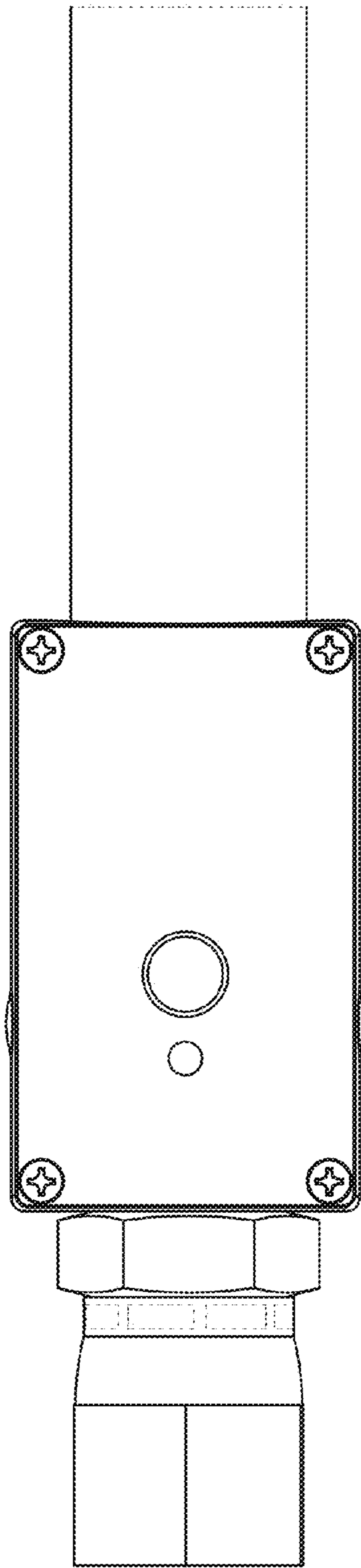


Fig.2

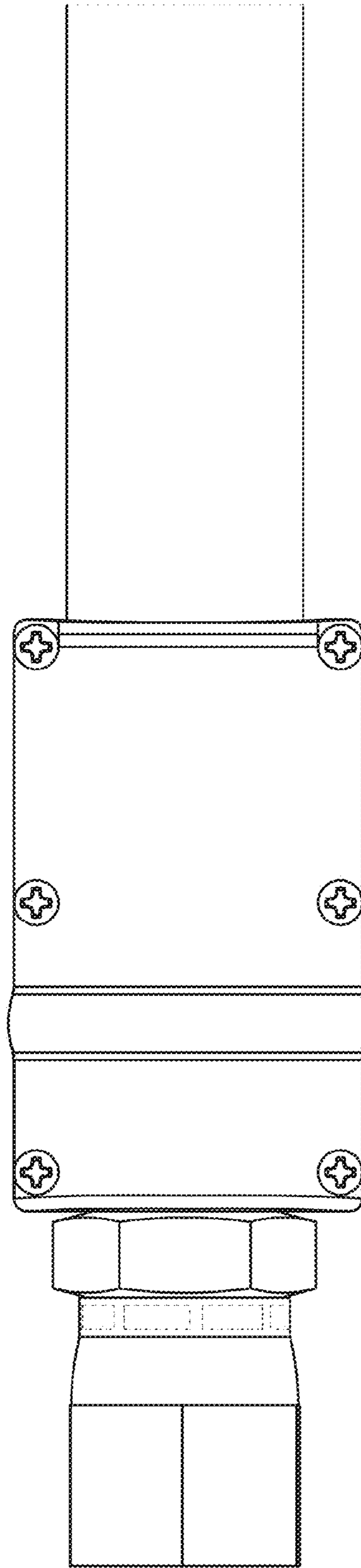


Fig.3

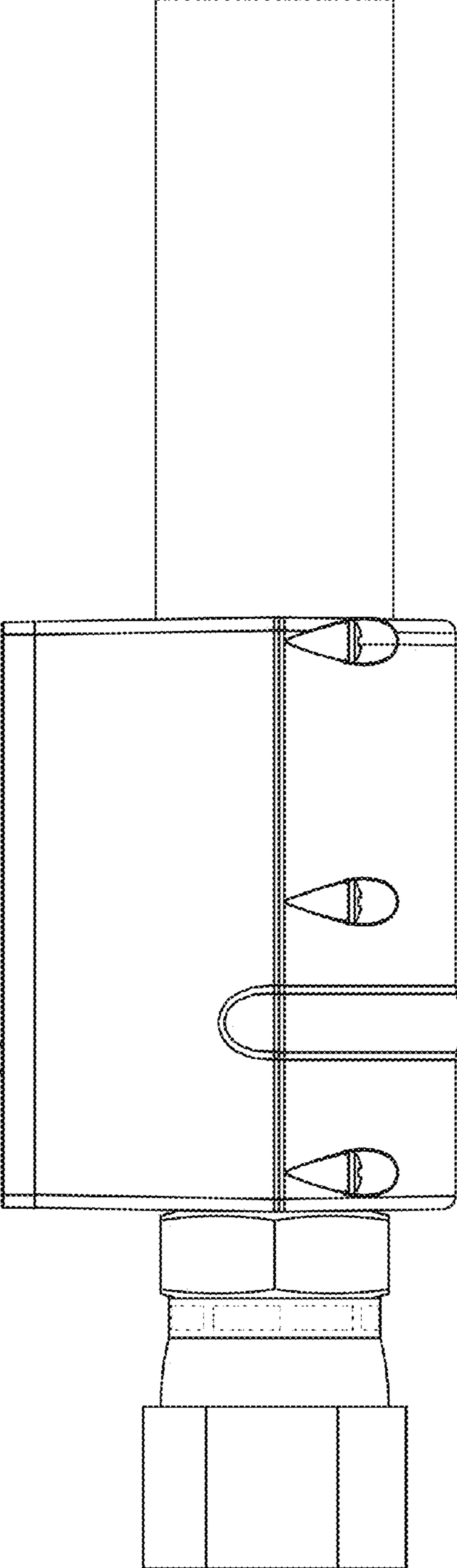


Fig.4

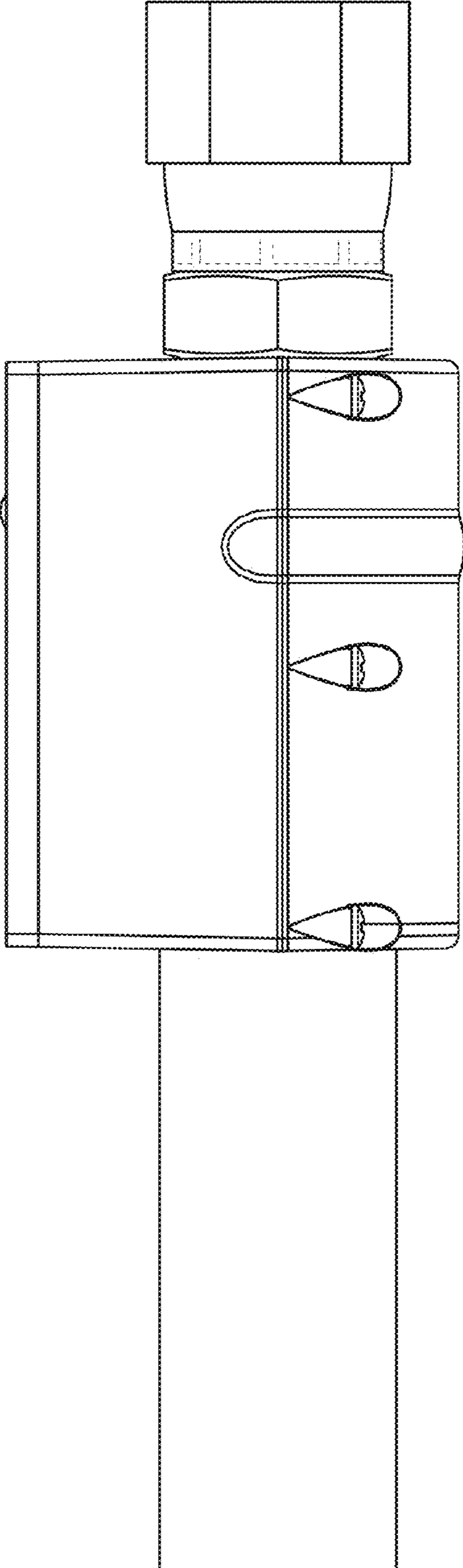


Fig.5

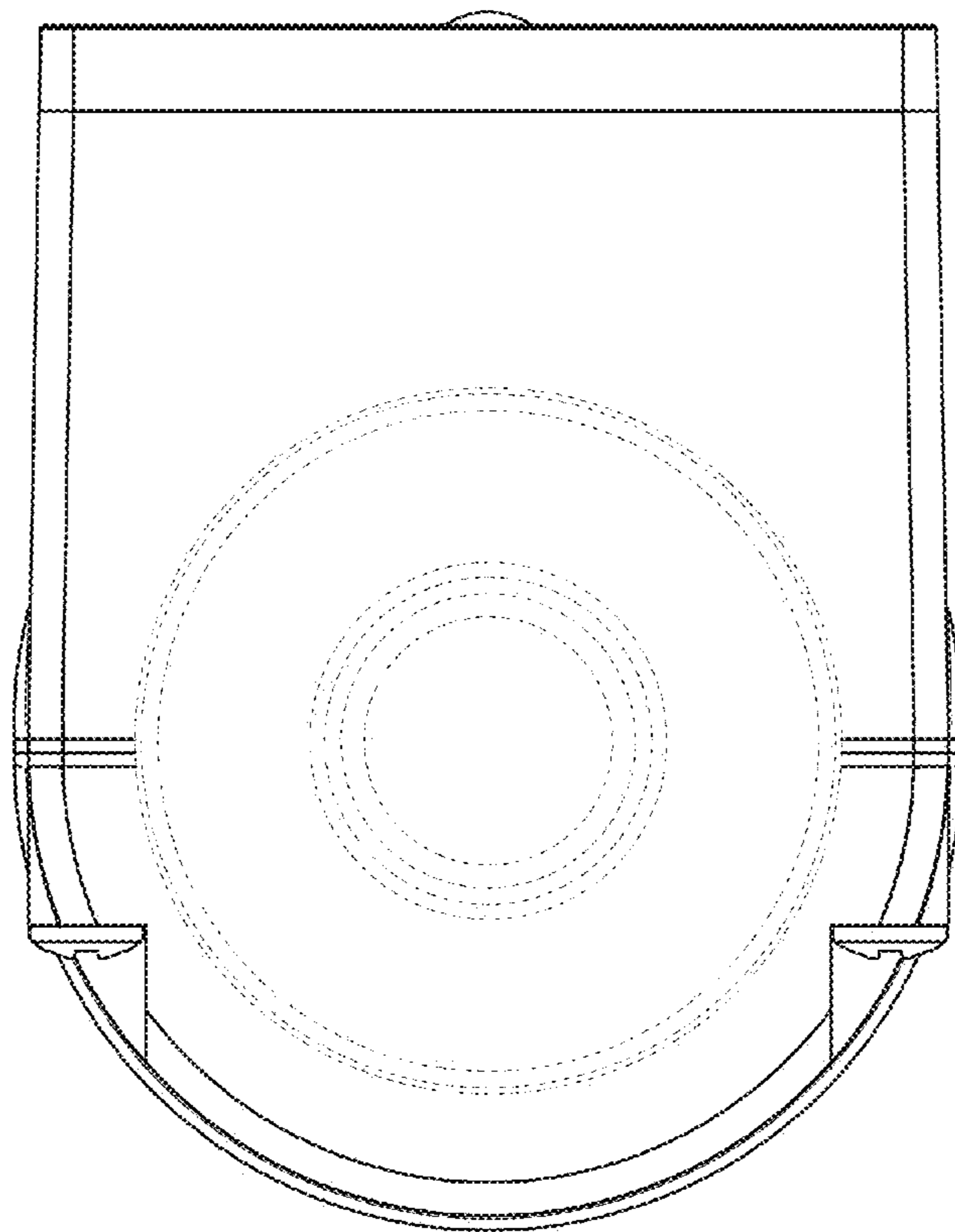


Fig.6

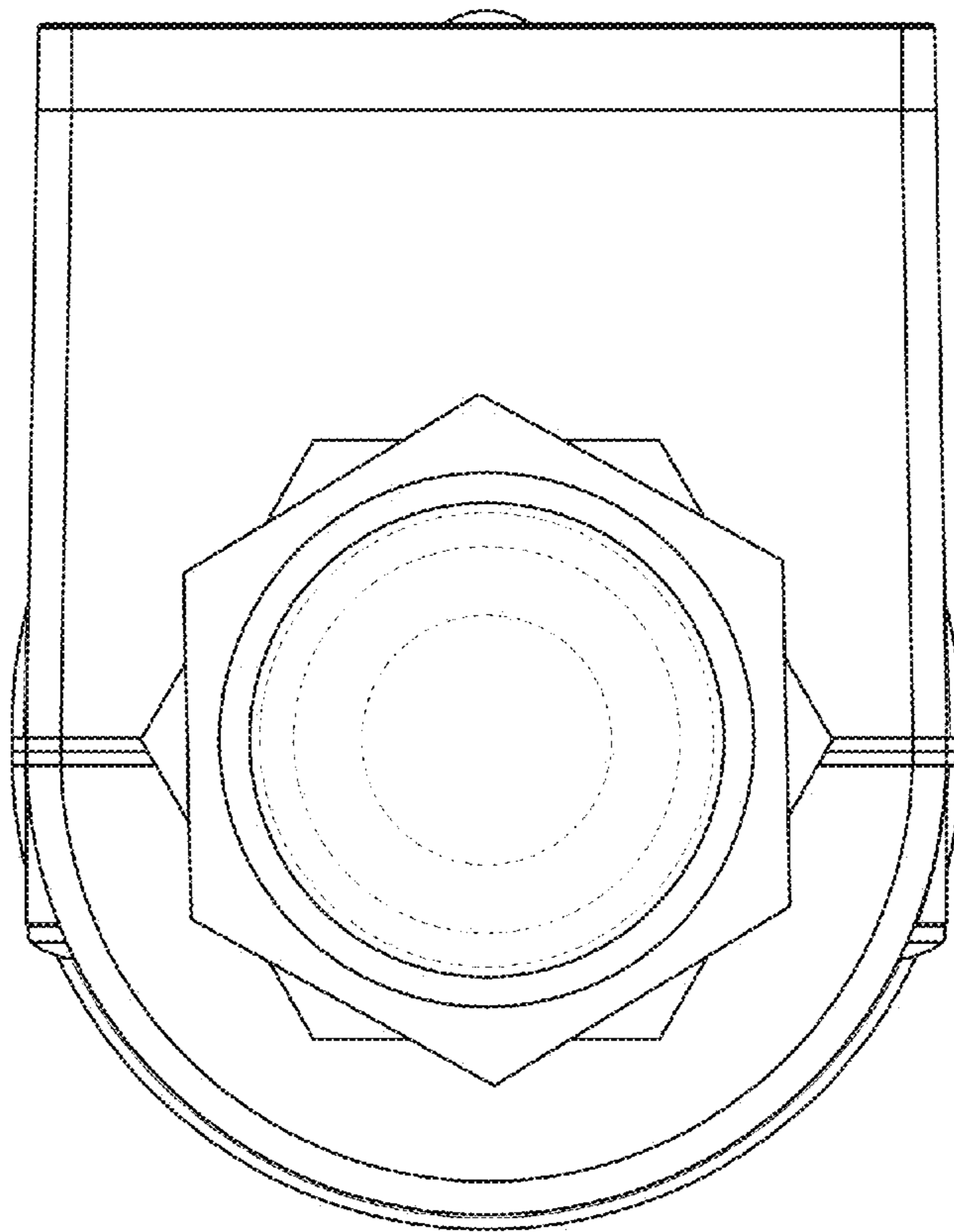


Fig.7